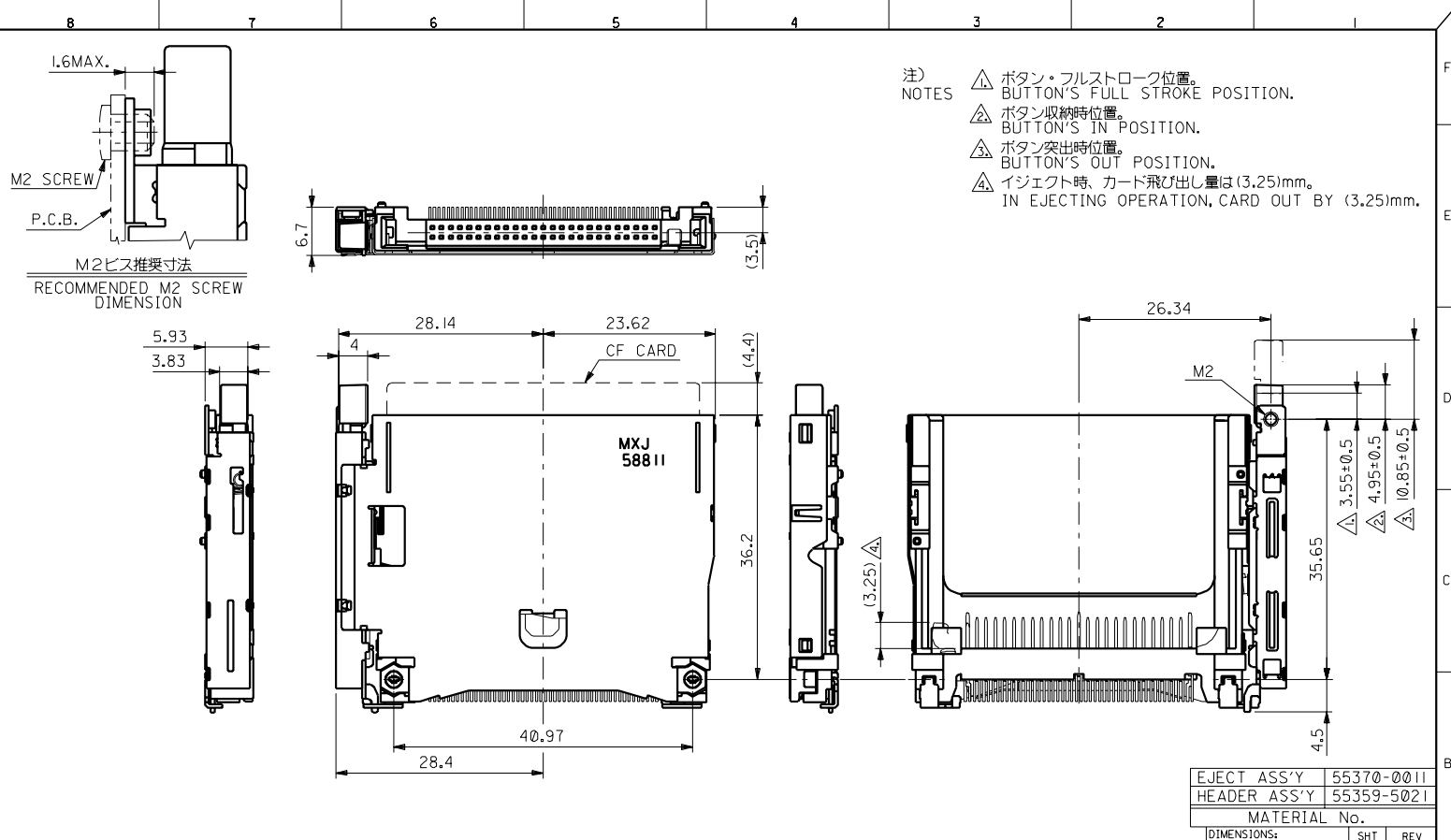


DWG. NO. SD-55370-003

DO NOT SCALE DRAWING



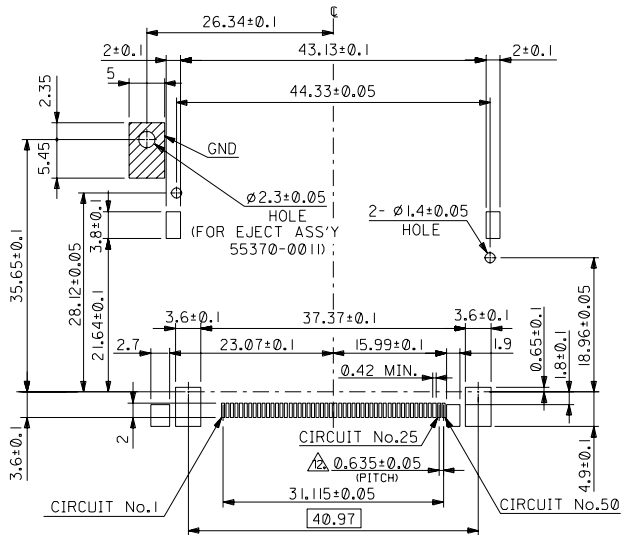
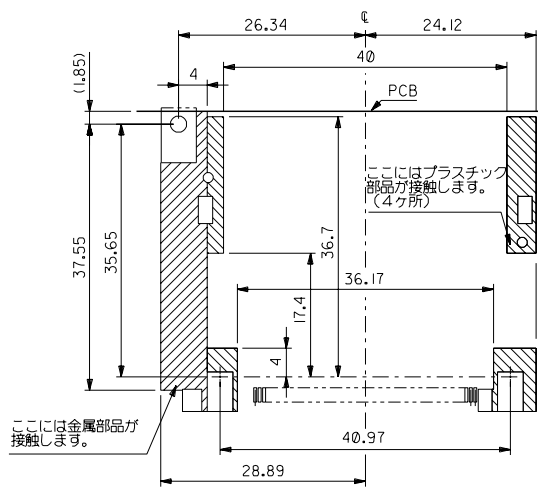
- 注) NOTES
- △ ボタン・フルストローク位置。  
BUTTON'S FULL STROKE POSITION.
  - △ ボタン収納時位置。  
BUTTON'S IN POSITION.
  - △ ボタン突出時位置。  
BUTTON'S OUT POSITION.
  - △ イジェクト時、カード飛び出し量は(3.25)mm。  
IN EJECTING OPERATION, CARD OUT BY (3.25)mm.

EJECT ASS'Y	55370-0011
HEADER ASS'Y	55359-5021
MATERIAL No.	

EC NO. DRWN: CHK: APPR:	EC NO. DRWN: CHK: APPR:	EC NO. DRWN: CHK: APPR:	REVISED JD90713 DRWN: THIRATA '98/11/3 CHK: MSASAO '98/11/3 APPR: HIKESUGI '98/11/3	REVISED JD90396 DRWN: THIRATA '98/09/11 CHK: MSASAO '98/09/11 APPR: HIKESUGI '98/09/11	MATERIAL 材料	GENERAL TOLERANCES: (UNLESS SPECIFIED) 一般公差	SCALE 2 - 1	DESIGN UNITS <input checked="" type="checkbox"/> mm <input type="checkbox"/> INCH	THIRD ANGLE PROJECTION <input type="checkbox"/> mm <input type="checkbox"/> INCH <input checked="" type="checkbox"/> mm ONLY	SHT REV
					FINISH 仕上り	10 UNDER 未満		DRAWN BY & DATE <i>J. Kinata</i> '98/09/11	TITLE: CF CARD CONN. EJECT MECHANISM (TYPE I/II, REVERSE)	REVISE ON CAD ONLY
					WIRE RANGE 適用電線範囲	10 OVER 30 UNDER 以上 未満	+0.2	CHECKED BY & DATE <i>H. Saito</i> '98/09/11	MOLEX INCORPORATED	
					INS. RANGE 適用外径	30 OVER 以上	+0.3	APPROVED BY & DATE <i>H. Saito</i> '98/09/11	MATERIAL NO. SEE TABLE	SHEET NO. 1 OF 3
						ANGLE 角度	+3°	CAD FILENAME 55370003.S01	DRAWING NO. SD-55370-003	SIZE B
THIS DRAWING CONTAINS INFORMATION THAT IS PROPRIETARY TO MOLEX INCORPORATED AND SHOULD NOT BE USED WITHOUT WRITTEN PERMISSION.										55370003.S01

EN-02J(097) MXJ-54

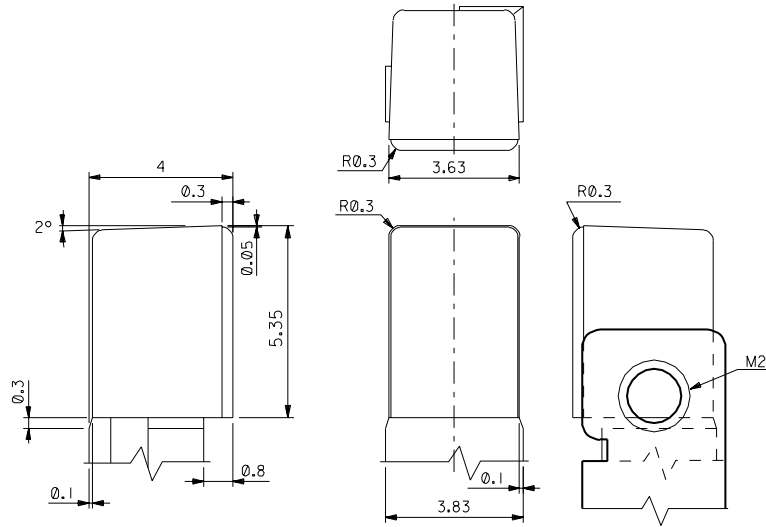
DWG. NO. SD-55370-003



基板推奨寸法  
RECOMMENDED P.C.B. LAYOUT

DO NOT SCALE DRAWING	EC NO. DRAWN: CHK'G: APPR:	EC NO. DRAWN: CHK'G: APPR:	EC NO. DRAWN: CHK'G: APPR:	EC NO. DRAWN: CHK'G: APPR:	EC NO. DRAWN: CHK'G: APPR:	EC NO. DRAWN: CHK'G: APPR:	REV DESCRIPTION	MATERIAL 材料	GENERAL TOLERANCES: (UNLESS SPECIFIED) 一般公差	SCALE 2 - 1	DESIGN UNITS mm INCH	THIRD ANGLE PROJECTION	DIMENSIONS: mm INCH mm ONLY	SHT REV			
	FINISH 仕上り							10 UNDER 未満	+0.2	DRAWN BY & DATE <i>T. Niwa</i> '98/09/11	TITLE: CF CARD CONN. EJECT MECHANISM (TYPE I/II, REVERSE)						
	WIRE RANGE 適用電線範囲							10 OVER 以上	30 UNDER 未満	+0.25	CHECKED BY & DATE <i>H. Saito</i> '98/09/11	MATERIAL NO. MOLEX INCORPORATED					
	INS. RANGE 被覆外径							30 OVER 以上	+0.3	APPROVED BY & DATE <i>[Signature]</i> '98/09/11	CAD FILENAME 55370003.S02	DRAWING NO. SD-55370-003	SHEET NO. 2	REVISE ON CAD ONLY			
8	7	6	5	4	3	2	1	THIS DRAWING CONTAINS INFORMATION THAT IS PROPRIETARY TO MOLEX INCORPORATED AND SHOULD NOT BE USED WITHOUT WRITTEN PERMISSION.							EN-02J(097) MXJ-54		

DWG. NO. SD-55370-003



ボタン詳細寸法  
DETAIL OF BUTTON

DO NOT SCALE DRAWING	EC NO. DRWN: CHK: APPR:	EC NO. DRWN: CHK: APPR:	EC NO. DRWN: CHK: APPR:	EC NO. DRWN: CHK: APPR:	EC NO. DRWN: CHK: APPR:	EC NO. DRWN: CHK: APPR:	REV. DESCRIPTION	MATERIAL 材料	GENERAL TOLERANCES: (UNLESS SPECIFIED) 一般公差	SCALE 10-1	DESIGN UNITS <input checked="" type="checkbox"/> mm <input type="checkbox"/> INCH	THIRD ANGLE PROJECTION	DIMENSIONS: <input type="checkbox"/> mm <input type="checkbox"/> INCH <input checked="" type="checkbox"/> mm ONLY	SHT REV
							FINISH 仕上り	10 UNDER 未満	+0.2	DRAWN BY & DATE <i>T. Niwa</i> '98/09/11	TITLE: CF CARD CONN. EJECT MECHANISM (TYPE I/II, REVERSE)			
							WIRE RANGE 適用電線範囲	10 OVER 以上 30 UNDER 未満	+0.25	CHECKED BY & DATE <i>H. Saito</i> '98/09/11	APPROVED BY & DATE <i>[Signature]</i> '98/09/11	MOLEX INCORPORATED		
							INS. RANGE 設置外径	30 OVER 以上	+0.3	CAD FILENAME 55370003.S03	MATERIAL NO.	DRAWING NO. SD-55370-003	SHEET NO. 3	SIZE B
								ANGLE 角度	+3°	THIS DRAWING CONTAINS INFORMATION THAT IS PROPRIETARY TO MOLEX INCORPORATED AND SHOULD NOT BE USED WITHOUT WRITTEN PERMISSION.				EN-02J(097) MXJ-54