

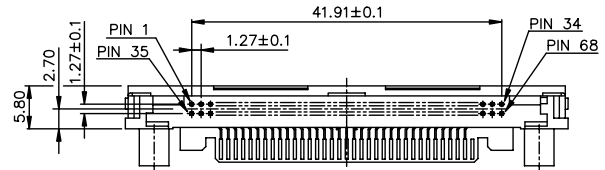
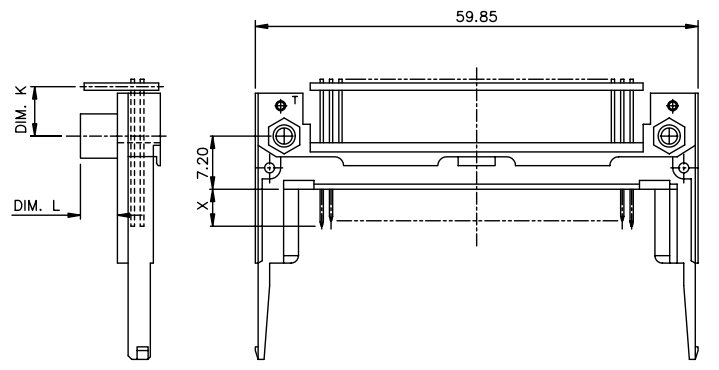
FCI CONFIDENTIAL

FCI

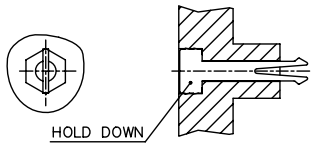
This document is the property of and includes CONFIDENTIAL and PROPRIETARY information of FCI. No part of the information shown on this document may be used in any way or disclosed to other parties without the written consent of FCI. Copyright © FCI.

PRODUCT NO.	DIM "X"		
	95548-****	4.25±0.1	3.5±0.1
	OTHERS	36,67	1,17,34 35,51,68

- 95548-□□□□
- HOLD DOWN : H
 - STAND-OFF :
 - 00 : 0.0 mm
 - 20 : 2.0 mm
 - 22 : 2.2 mm
 - 30 : 3.0 mm
 - 40 : 4.0 mm
 - 43 : 4.3 mm
 - 50 : 5.0 mm
 - UPPER DECK : 5
 - LOWER DECK : 0
 - LOWER DECK : 1
(FOR HOLLAND)
 - LOWER DECK : 2
(FOR KOREA)
 - TOP MOUNT : 0
 - BOTTOM MOUNT : 5



NOTE:
1. ADD "H" TO PART NUMBER FOR OPTIONAL HOLD DOWN (2 PER ASSEMBLY).



95548-0000	0	-0.3
95548-0050H	5	-0.3
95548-0222	2.2	2.15
95548-0150	5	-0.3
95548-0100	0	2.15
95548-0522	0	9.0
95548-0022	2.2	2.15
95548-0543	0	6.55
95548-0043	4.3	-0.3
95548-0550	0	6.55
95548-0050	5	-0.3
95548-0500	0	10.0

PRODUCT NO.	DIM.L	DIM.K±0.20
-------------	-------	------------

mat'l. code		surface	tolerance	projection	product family
ISO 1302		ISO 406	ISO 101	PCMCIA	
ltr	ecr no	dr	date	title	
J	T03-0464	W	L 10/26/03	68 POS EJECTOR HEADER HSG	
K	N04-0092	W	B 12/01/04	HEADER ASSY	
L	N06-0110	M	Z 07/01'06	scale 2:1	
M	N08-0099	M	Z 06/20'06	dwg no	sheet 1 of 4 size
		enr	Mike Zhou 07/01'06	95548	A4
		chr	Qin David 07/01'06	type	CUSTOMER Drawing
		pppd	Jack Wang 07/01'06		
sheet index	revision sheet	M	M	M	M
		1	2	3	4

PDM: Rev:M STATUS Released Printed: Oct 12, 2010 6

form: A3

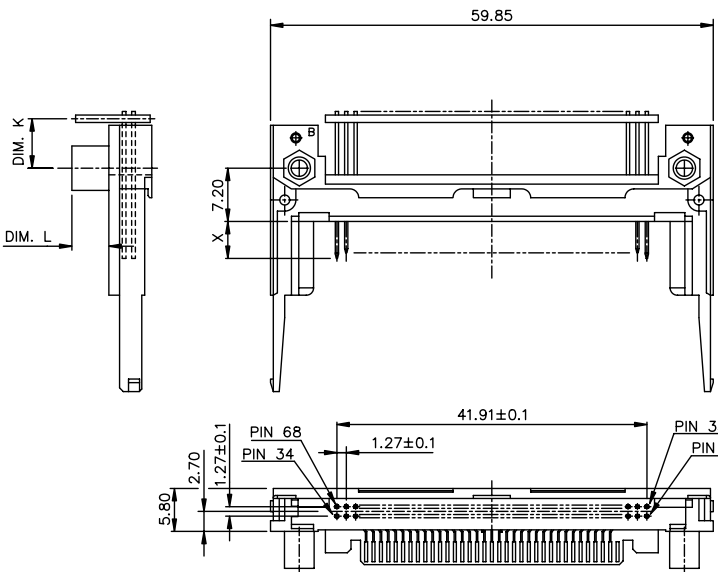
FCI CONFIDENTIAL



FCIconnect.com

This document is the property of and includes CONFIDENTIAL and PROPRIETARY information of FCI. No part of the information shown on this document may be used in any way or disclosed to others without the written consent of FCI. Copyright FCI.

PRODUCT NO.	DIM"X"		
	95548-****	4.25±0.1	3.5±0.1
OTHERS		36,67	1,17,34 35,51,68



95548-□□□	STAND-OFF	00 : 0.0 mm
		20 : 2.0 mm
		22 : 2.2 mm
		30 : 3.0 mm
		40 : 4.0 mm
		43 : 4.3 mm
		50 : 5.0 mm
	UPPER DECK	: 5
	LOWER DECK	: 0
	TOP MOUNT	: 0
	BOTTOM MOUNT	: 5

95548-5150	5	2.15
95548-5522	0	9.0
95548-5022	2.2	2.15
95548-5543	0	6.55
95548-5043	4.3	-0.3
95548-5550	0	6.55
95548-5050	5	-0.3
95548-5500	0	10.0
PRODUCT NO.	DIM.L	DIM.K±0.20

mat'l. code	surface ISO 1302	tolerance ISO 406	projection ISO 101	product family PCMCIA
ltr	ecn no	dr	date	title 68 POS EJECTOR HEADER HSG HEADER ASS'Y
M				MM
		angles ±2°	linear ±0.3	scale
		dr	Mike Zhou 07/01'06	dwg no
		enr	Mike Zhou 07/01'06	95548
		chr	Qin David 07/01'06	sheet 2 of 4 size A4
		appd	Jack Wang 07/01'06	type CUSTOMER Drawing
sheet index	revision sheet			

FCI CONFIDENTIAL



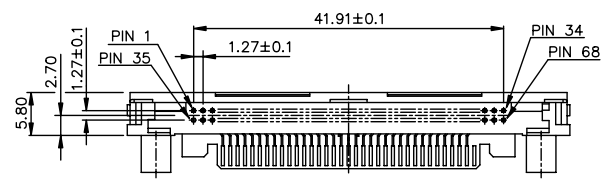
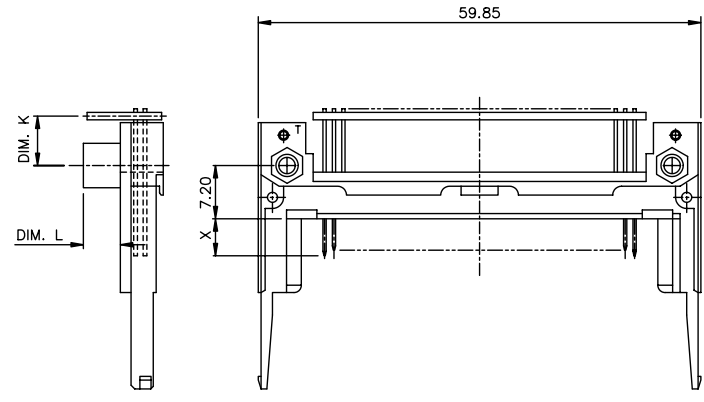
This document is the property of and includes CONFIDENTIAL and PROPRIETARY information of FCI. No part of the information shown on this document may be used in any way or disclosed to others without the written consent of FCI. Copyright © FCI.

PRODUCT NO.	DIM "X"		
	95548-****LF	4.25±0.1	3.5±0.1
	OTHERS	36,67	1,17,34 35,51,68

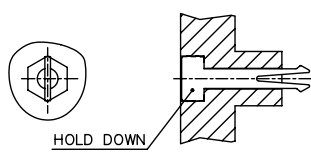
- 95548-□□□□
- LEAD-FREE OPTION : LF
 - HOLD DOWN : H
 - STAND-OFF
 - 00 : 0.0 mm
 - 20 : 2.0 mm
 - 22 : 2.2 mm
 - 30 : 3.0 mm
 - 40 : 4.0 mm
 - 43 : 4.3 mm
 - 50 : 5.0 mm
 - UPPER DECK : 5
 - LOWER DECK : 0
 - LOWER DECK : 1
(FOR HOLLAND)
 - LOWER DECK : 2
(FOR KOREA)
 - TOP MOUNT : 0
 - BOTTOM MOUNT : 5

95548-0100MLF	0	2.15
95548-0000LF	0	-0.3
95548-0051LF	5	-0.3
95548-0050HLF	5	-0.3
95548-0222LF	2.2	2.15
95548-0150LF	5	-0.3
95548-0100LF	0	2.15
95548-0522LF	0	9.0
95548-0022LF	2.2	2.15
95548-0543LF	0	6.55
95548-0043LF	4.3	-0.3
95548-0550LF	0	6.55
95548-0050LF	5	-0.3
95548-0500LF	0	10.0

PRODUCT NO.	DIM.L	DIM.K±0.20
-------------	-------	------------



NOTE:
1. ADD "H" TO PART NUMBER FOR OPTIONAL HOLD DOWN (2 PER ASSEMBLY).



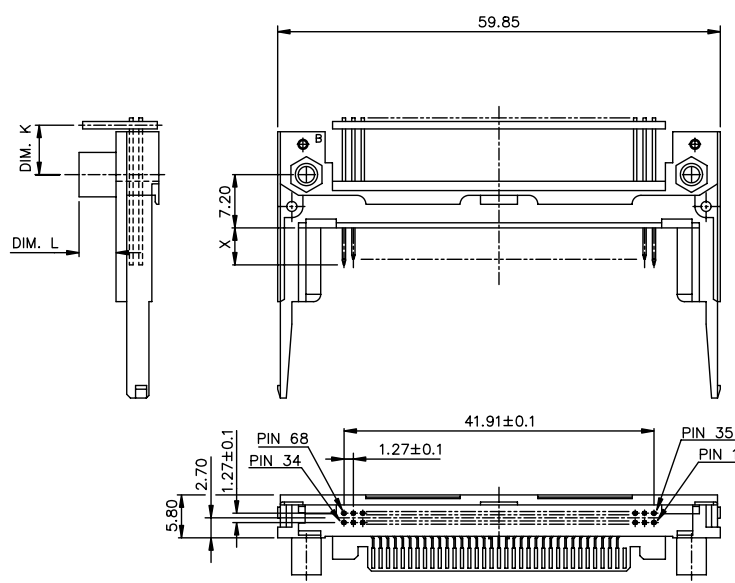
mat'l. code		surface	tolerance	projection	product family
ltr	ecn no	ISO 1302	ISO 406	ISO 101	PCMCIA
M		tolerances unless otherwise specified	linear	MM	title
		angles ±2'	±0.3	scale	68 POS EJECTOR HEADER HSG HEADER ASS'Y
		dr Mike Zhou 07/01'06			dwg no
		enr Mike Zhou 07/01'06			95548
		chr Qin David 07/01'06			sheet 3 of 4
		appd Jack Wang 07/01'06			A4
sheet index	revision sheet				type CUSTOMER Drawing

FCI CONFIDENTIAL

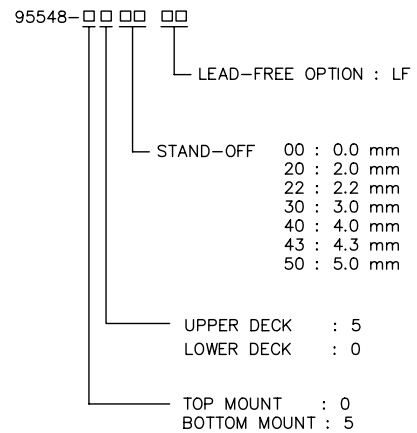
FCI

This document is the property of and includes CONFIDENTIAL and PROPRIETARY information of FCI. No part of the information shown on this document may be used in any way or disclosed to others without the written consent of FCI. Copyright © FCI.

PRODUCT NO.	DIM "X"		
	95548-****LF	4.25±0.1	3.5±0.1
OTHERS		36,67	1,17,34 35,51,68



Note:
 1. FINISH (PIN)
 UNDER PLATING : 0.5 µm MIN. Ni
 CONTACT AREA : 0.1 µm MIN. GOLD OVER
 0.5 µm MIN. Pd-Ni
 SOLDER TAIL:
 TIN LEAD PLATING: 2.5 µm MIN. Sn-Pb
 LEAD FREE PLATING: 2.5 µm MIN. PURE TIN
 2. IF LEAD FREE P/N. THE HOUSING WILL WITHSTAND
 EXPOSURE TO 260°C PEAK FOR 10 SECONDS IN
 A WAVE SOLDER APPLICATION WITH A 1.00MM
 MINIMUM THICK CIRCUIT BOARD
 3. IF LEAD FREE P/N. PACKAGING MEETS GS-14-920
 SPECIFICATION



95548-5150LF	5	2.15
95548-5522LF	0	9.0
95548-5022LF	2.2	2.15
95548-5543LF	0	6.55
95548-5043LF	4.3	-0.3
95548-5550LF	0	6.55
95548-5050LF	5	-0.3
95548-5500LF	0	10.0
PRODUCT NO.	DIM.L	DIM.K±0.20

mat'l. code	surface	tolerance	projection	product family
	ISO 1302	ISO 406	ISO 101	PCMCIA
ltr	ecn no	dr	date	title
M				68 POS EJECTOR HEADER HSG HEADER ASS'Y
				dwg no
				95548
				sheet 4 of 4 size
				A4
				type CUSTOMER Drawing
sheet index	revision sheet			