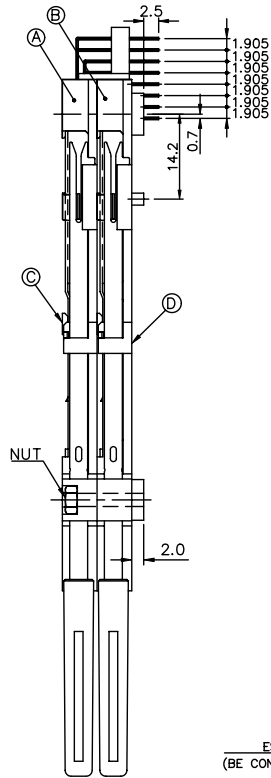
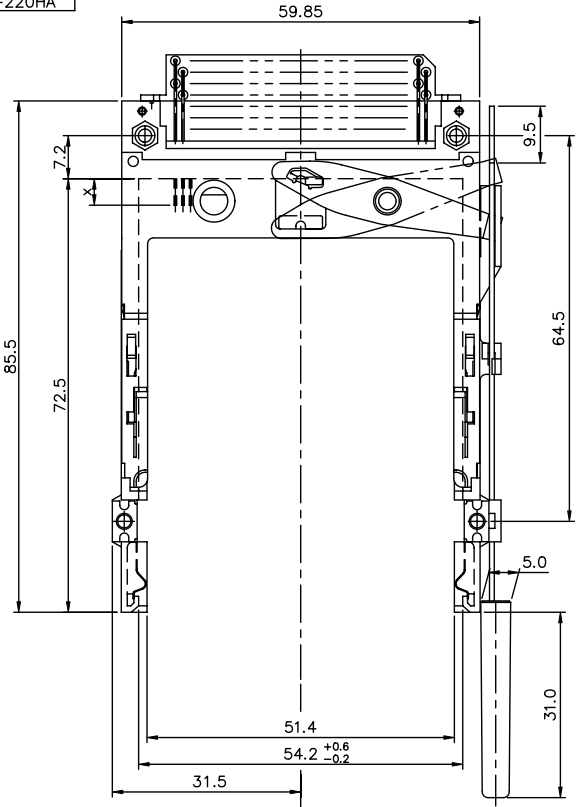
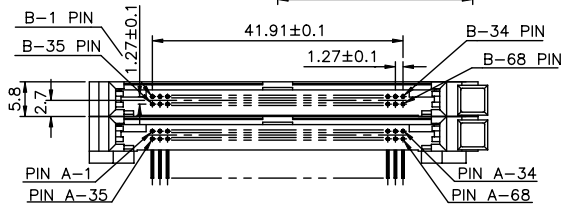
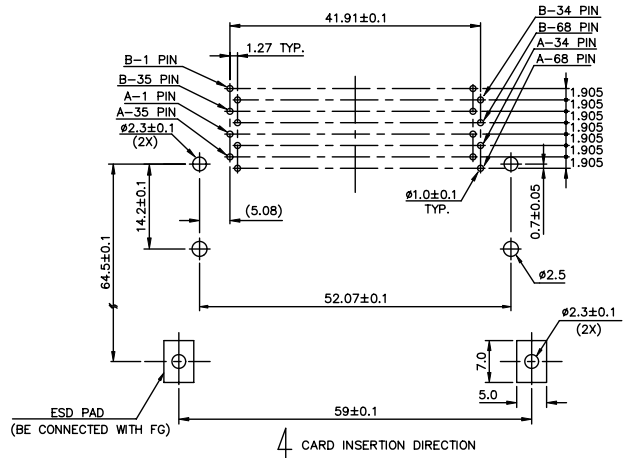


PRODUCT NO.  
57486-220HA



- NOTES:
- EJECT FORCE : 3.5 Kg MAX.
  - EJECT TRAVEL: 8.0mm
  - MATERIAL
  - HEADER ASS'Y :  
PLASTIC : HOUSING ...LCP UL94V-0 NATURAL  
: LOCATOR ...G.F. 6/6 NYLON UL94-V0 BLACK  
PIN : COPPER ALLOY
  - EJECT MECHANISM ASS'Y :  
PLASTIC : GUIDE: POLYPHTHARAMID UL94V-0 BLACK  
: BUTTON: POLYPHTHARAMID UL94V-0 BLACK  
PLATE : STAINLESS  
EMI CONTACT: PHOSPHOR BRONZE
  - FINISH (PIN)  
UNDER PLATING : 0.5 μm MIN. Ni  
CONTACT AREA : 0.1 μm MIN. GOLD OVER 0.5 μm MIN. Pd-Ni  
SOLDER TAIL : 2.5 μm MIN. Sn-Pb

4.25±0.1	3.5±0.1	5.0±0.1
OTHERS	36,67	1,17,34,35,51,68



mat'l code		tolerance unless otherwise specified		CUSTOMER COPY		ELECTRONICS FCI	
rev.	ecn no.	dr	date	linear	±0.30	projection	title
A	T20019	WL	01/17/02	angles	± 2°	⊕	DOUBLE DECK R/A EJECTOR TYPE 1/2/3
B	T20085	WL	03/18/02	dr	WENDY CHEN 06/29/01	unit	product family : PCMCIA
				enr	MINERVA WANG 06/29/01	mm/inch	code
				chr	MINERVA WANG 06/29/01	scale	size
				appd	JENN TSAO 06/29/01	1.5:1	dwg no.
sheet	revision	B					57486
index	sheet	1					TWN
							1 of 1

PDM: Rev:B STATUS Released Printed: Oct 12, 2010