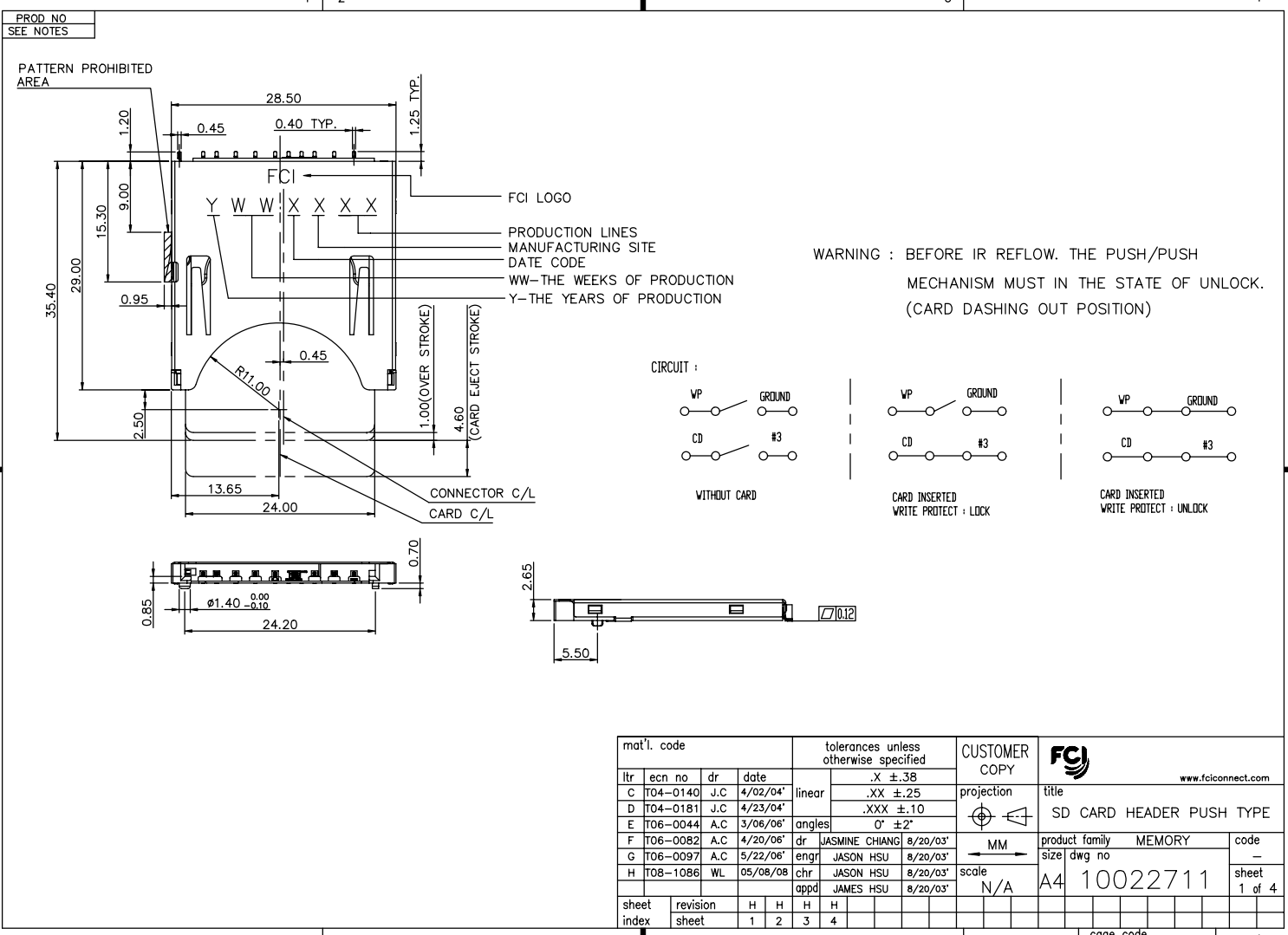


Tous droits strictement réservés. Reproduction ou communication à des tiers interdite sous quelque forme que ce soit sans autorisation écrite du propriétaire. Propriété de c FCI. Droits de reproduction FCI.



All rights strictly reserved. Reproduction or issue to third parties in any form whatever is not permitted without written authority from the proprietor. Property of FCI. Copyright FCI.



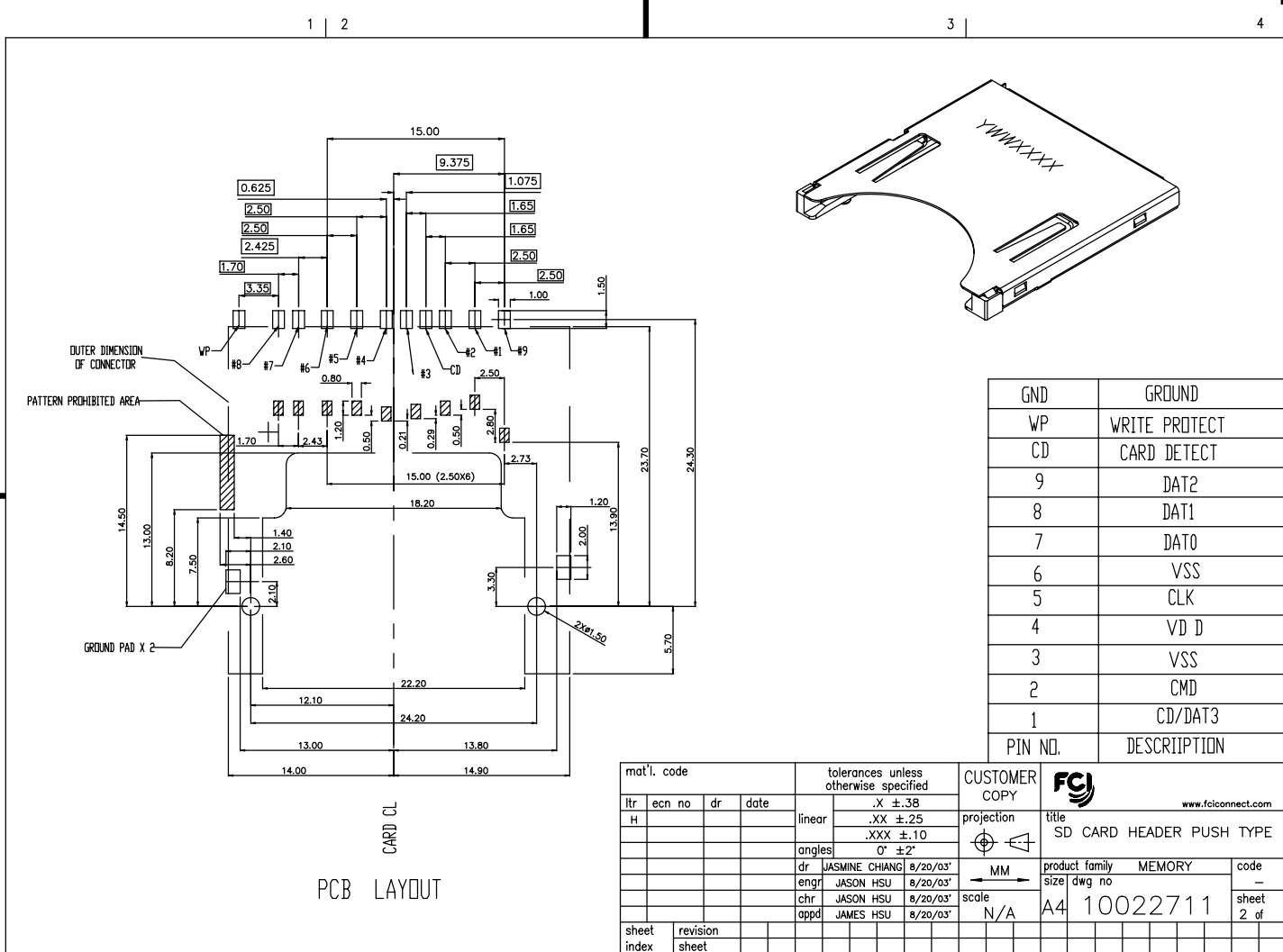
mat'l. code				tolerances unless otherwise specified		CUSTOMER COPY		FCI	
ltr	ecn no	dr	date	linear	.X ±.38	projection	www.fciconnect.com		
C	T04-0140	J.C	4/02/04'		.XX ±.25		title		
D	T04-0181	J.C	4/23/04'		.XXX ±.10		SD CARD HEADER PUSH TYPE		
E	T06-0044	A.C	3/06/06'	angles	0° ±2'		product family MEMORY		
F	T06-0082	A.C	4/20/06'	dr	JASMINE CHIANG 8/20/03'	MM	size dwg no		code
G	T06-0097	A.C	5/22/06'	enrg	JASON HSU 8/20/03'				sheet
H	T08-1086	WL	05/08/08	chr	JASON HSU 8/20/03'	scale	A4 10022711		1 of 4
sheet index	revision sheet	H	H	H	H				
		1	2	3	4				

PDM: Rev:H STATUS Released 22506: Oct 10, 2008

Tous droits strictement réservés. Reproduction ou communication à des tiers interdite sous quelque forme que ce soit sans autorisation écrite du propriétaire. Property of FCJ. Droits de reproduction FCJ.



All rights strictly reserved. Reproduction or issue to third parties in any form whatsoever is not permitted without written authority from the proprietor. Property of FCJ. Copyright FCJ.



PIN NO.	DESCRIPTION
GND	GROUND
WP	WRITE PROTECT
CD	CARD DETECT
9	DAT2
8	DAT1
7	DAT0
6	VSS
5	CLK
4	VD D
3	VSS
2	CMD
1	CD/DAT3

mat'l. code		tolerances unless otherwise specified		CUSTOMER COPY		FCJ			
ltr	ecn no	dr	date	linear	.X ±.38	projection	title		
H					.XX ±.25		SD CARD HEADER PUSH TYPE		
					.XXX ±.10				
				angles	0° ±2°		product family MEMORY		
				dr	JASMINE CHIANG 8/20/03'			size dwg no	
				enrg	JASON HSU 8/20/03'				A4 10022711
				chr	JASON HSU 8/20/03'				
				appd	JAMES HSU 8/20/03'	scale	N/A		
sheet index	revision sheet								

ACAD

PDM: Rev:H

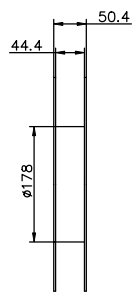
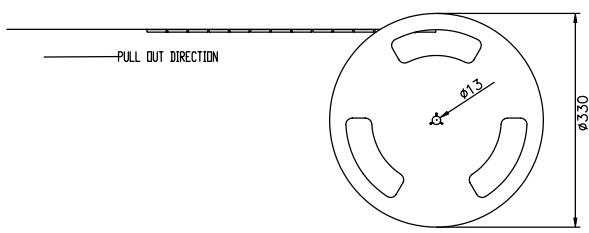
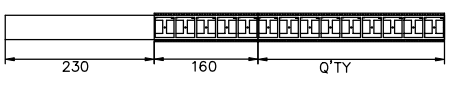
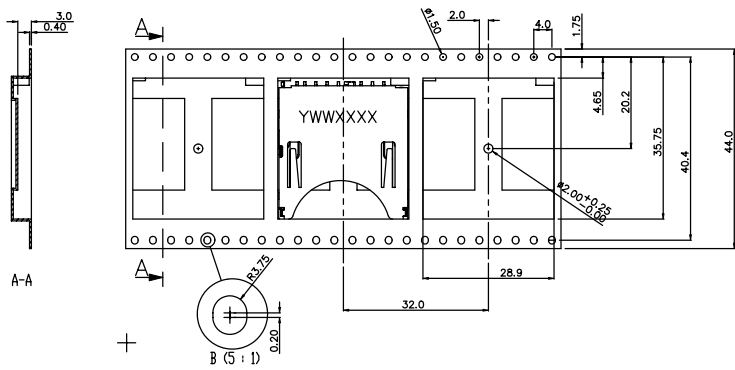
STATUS Released

Printed: Oct 10, 2006

cage code 22526

Tous droits strictement réservés. Reproduction ou communication a des tiers interdite sous quelque forme que ce soit sans autorisation écrite du propriétaire. Propriété de c FCI. Droits de reproduction FCI.

All rights strictly reserved. Reproduction or issue to third parties in any form whatever is not permitted without written authority from the proprietor. Property of FCI. Copyright FCI.



NOTES :  
 1. MATERIAL :  
 CARRIER TAPE: POLYSTYRENE , COLOR : BLACK  
 COVER TAPE : POLYSTYRENE , COLOR : TRANSPARENT  
 PLASTIC RELL : POLYSTYRENE , COLOR : BLUE  
 2. QUANTITY : 300PCS/REEL

mat'l. code				tolerances unless otherwise specified		CUSTOMER COPY		FCI		www.fciconnect.com	
ltr	ecn no	dr	date	linear	.X ±.38	projection	title SD CARD HEADER PUSH TYPE				
H					.XX ±.25						
				angles	.XXX ±.10						
					0' ±2'		product family		MEMORY		
				dr	JASMINE CHIANG 8/20/03'		size		dwg no		
				enr	JASON HSU 8/20/03'	A4		10022711			
				chr	JASON HSU 8/20/03'	N/A		sheet 3 of			
				appd	JAMES HSU 8/20/03'						
sheet index	revision sheet										

ACAD PDM: Rev:H 3 STATUS Released 2008 Oct 10, 2008 cage code 20526 4

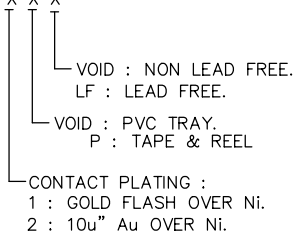
NOTES :

1. MATERIAL :  
 INSULATOR : UL 94V-0, LCP+30%G/F, COLOR : BLACK  
 SIGNAL CONTACTS : PHOSPHOR BRONZE, C5210R-SH.  
 CD/WP CONTACTS : Ti-Cu, TICUR1-M-EH.  
 SHIELD: STAINLESS STEEL SUS-301.
2. PLATING SPEC:  
 CONTACT: 50u" Min NICKEL UNDERPLATED ALL OVER,  
 100u" Min TIN/LEAD OR MATTE TIN ON SOLDER TAIL AREA,  
 SELECTIVE GOLD PLATED ON CONTACT AREA.
3. PRODUCT SPECIFICATION: GS-12-241.
4. PACKAGING SPECIFICATION: GS-14-851.
5. CARD PULLING-OUT FORCE EXCEED 0.36KGF(3.5N)  
 UNDER LOCKING-CONDITION.
6. MULTIMEDIA CARD COMPATIBLE.
7. WP: WRITE PROTECT  
 CD: CARD DETECT INDICATION
8. LEAD FREE NOTES:

- 8.1. THE HOUSING WILL WITHSTAND EXPOSURE TO 260°C PEAK  
 TEMPERATURE FOR 10 SECONDS IN A CONVECTION, IR OR VAPOR  
 PHASE REFLOW OVEN.
- 8.2. THIS PRODUCT (10022711-00XXLF) MEETS THE EUROPEAN UNION  
 DIRECTIVE AS DESCRIBED IN GS-22-008.

9. PART NUMBER DESCRIPTIONS:

10022711- 0 0 X X X



Tous droits strictement reserves. Reproduction ou communication a des tiers interdite sous quelque forme que ce soit sans autorisation écrite du propriétaire. Propriete de c FCI. Droits de reproduction FCI.



All rights strictly reserved. Reproduction or issue to third parties in any form whatever is not permitted without written authority from the proprietor. Property of FCI. Copyright FCI.

mat'l. code				tolerances unless otherwise specified		CUSTOMER COPY		FCI www.fciconnect.com	
ltr	ecn no	dr	date	linear	.X ±.38		projection	SD CARD HEADER PUSH TYPE	
H					.XX ±.25			MM	product family MEMORY
				angles	.XXX ±.10		scale		size  dwg no
					0° ±2°			N/A	A4 10022711
				dr	JASMINE CHIANG	8/20/03'	sheet index		revision sheet
				enqr	JASON HSU	8/20/03'		cage code	
				chr	JASON HSU	8/20/03'		22526	
				appd	JAMES HSU	8/20/03'	STATUS Released		
							Printed: Oct 10, 2008		