

All rights strictly reserved. Reproduction or reuse in any form, without written permission from the proprietor, is prohibited. Property of ©BERG ELECTRONICS. Copyright BERG ELECTRONICS INC.

DESCRIPTION: ABOVE & BELOW PCB, DECK AND PUSH ROD LOCATION ARE AS VIEW BY USER.

PRODUCT NO. 93981-XXXX	PUSH-ROD LOCATION		STAND-OFF HEIGHT DIM "L"	DIM "P"	DOUBLE - DECK HEADER 92821-XXX	EJECT MECHANISM 92192-XXXX	EJECT MECHANISM 92192-XXXX	MOUNTING STYLE TO PCB AND PUSH-ROD SIDE
	DECK CLOSEST TO PCB	DECK FARTHEST FROM PCB						
000CA	LEFT	RIGHT	0.0	2.8	92821-000	10CA	00CA	
020CA	LEFT	RIGHT	2.0	2.5	92821-040	12CA	00CA	
100CA	RIGHT	LEFT	0.0	2.8	92821-000	00CA	10CA	
120CA	RIGHT	LEFT	2.0	2.5	92821-040	02CA	10CA	
200CA	RIGHT	RIGHT	0.0	2.8	92821-000	00CA	00CA	
220CA	RIGHT	RIGHT	2.0	2.5	92821-040	02CA	00CA	
300CA	LEFT	LEFT	0.0	2.8	92821-000	10CA	10CA	
320CA	LEFT	LEFT	2.0	2.5	92821-040	12CA	10CA	
500CA	RIGHT	LEFT	0.0	2.8	92821-500	10CA	00CA	
520CA	RIGHT	LEFT	2.0	2.5	92821-540	12CA	00CA	
600CA	LEFT	RIGHT	0.0	2.8	92821-500	00CA	10CA	
620CA	LEFT	RIGHT	2.0	2.5	92821-540	02CA	10CA	
700CA	RIGHT	RIGHT	0.0	2.8	92821-500	10CA	10CA	
700CP	RIGHT	RIGHT	0.0	2.8	92821-500	10CP	10CP	
720CA	RIGHT	RIGHT	2.0	2.5	92821-540	12CA	10CA	
800CA	LEFT	LEFT	0.0	2.8	92821-500	00CA	00CA	
820CA	LEFT	LEFT	2.0	2.5	92821-540	02CA	00CA	

NOTES:

- EJECT FORCE 3.5kg MAX.
- EJECT TRAVEL - 8.0mm
- HEADER ASSY
 PLASTIC: HOUSING - LCP UL94V-0 BLACK (ABOVE P.C.B.)
 - LCP UL94V-0 NATURAL (BELOW P.C.B.)
 LOCATOR - G.F. 8/6 NYLON UL94V-0
 BLACK
 PIN: PHOSPHOR BRONZE
 EJECT MECHANISM ASSY
 PLASTIC: GUIDE & PUSH ROD
 POLYTHARAMIDE UL94V-0 BLACK
 COVER PLATE: STAINLESS STEEL
 EMI CONTACT: PHOSPHOR BRONZE
- FINISH - PIN
 UNDER PLATING: 0.5 μm MIN. Ni
 CONTACT AREA: 0.1 μm MIN GOLD OVER
 0.5 μm MIN Pd-Ni
 SOLDER TAIL: 2.5 μm MIN Sn-Pb

⑤ DIM "X"

4.25±.1	3.5±.1	5.0±.1
OTHERS	36,67	1,17,34,35,51,68

- RECOMMENDED HOLD DOWN - 2mm SCREWS (95121) AND NUTS (92869). SEE FOR CHARTED INFORMATION. RECOMMENDED SCREW TORQUE: 1.0 TO 1.5 MAX in-lbs. (1.2-1.7 cm-kgs).

mat'l. code				tolerances unless otherwise specified		CUSTOMER COPY		BERG ELECTRONICS		
ltr	ecn no	dr	date	linear	.X ±.3	projection	title	product family	MCS	code
A	V31898	RDS	11/1/93		.XX ±.13		DOUBLE - DECK HEADER EJECT ASSY	size	dwg no	-
B	V40630	RDS	4/6/94		.XXX ±.051					
C	V41771	RDS	11/8/94	angles	∅ ±Z	mm	A4	93981	sheet	1 of 3
D	V61058	RHG	7/29/96	dr	0.SHEAFFER 9/30/93					
				engr	0.BRANN 11/1/93	scale	1/1			
				chr	0.BRANN 11/1/93					
				opdd	0.BRANN 11/1/93					
sheet	revision	0	0	0						
index	sheet	1	2	3						

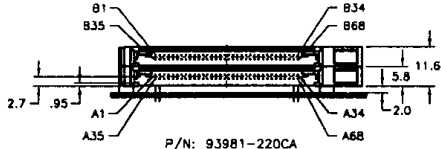
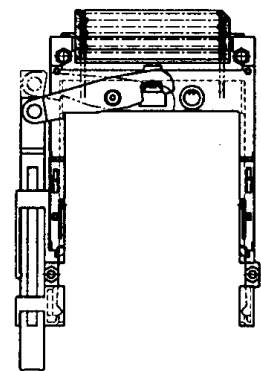
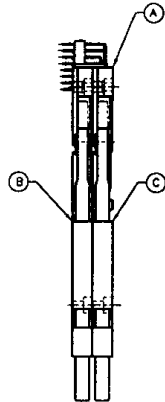
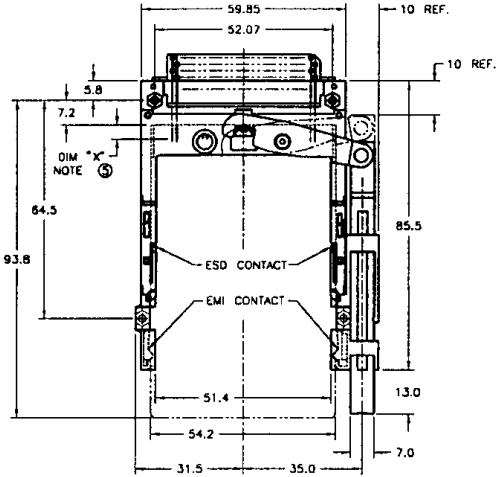
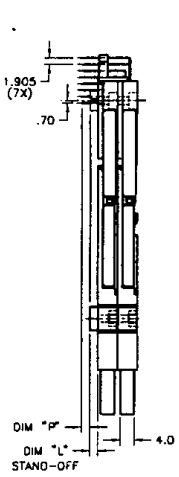
form no. 7530-001-103

code code
22526

Tous droits strictement réservés. Reproduction ou communication à des tiers interdite sous quelque forme que ce soit sans autorisation écrite du propriétaire.
 Property of BERG ELECTRONICS. Copyright BERG ELECTRONICS INC. Droits de reproduction BERG ELECTRONICS INC.

All rights strictly reserved. Reproduction or issue to third parties in any form, however is not permitted without written authority from the proprietor.
 Property of BERG ELECTRONICS. Copyright BERG ELECTRONICS INC.

PRODUCT NO.
93981-XXXXX



P/N: 93981-220CA
 ABOVE P.C.B.
 RIGHT/RIGHT PUSH-ROD
 P.C.B. LAYOUT 1 (SHT. 3)

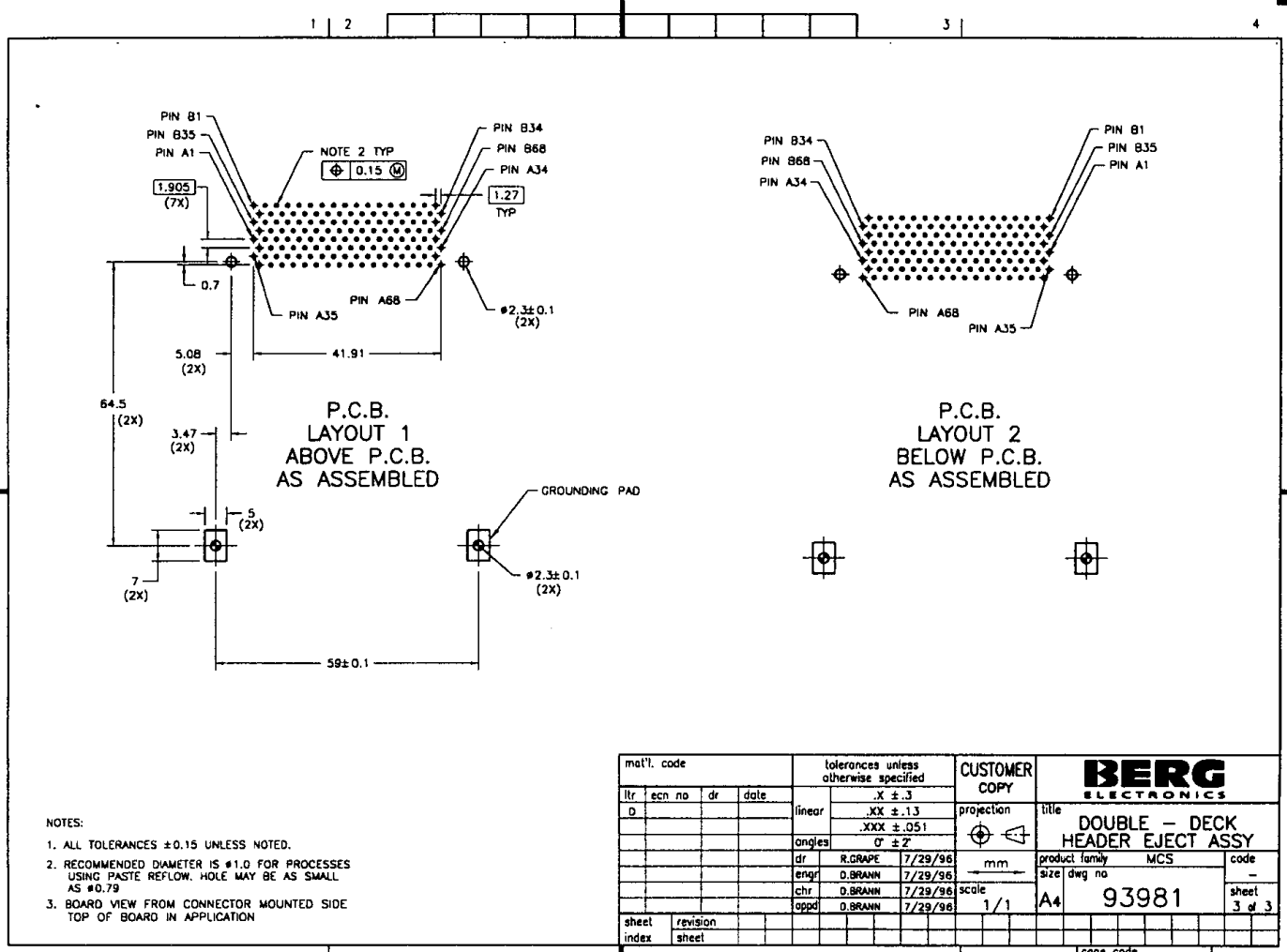
P/N: 93981-720CA
 BELOW P.C.B.
 RIGHT/RIGHT PUSH-ROD
 P.C.B. LAYOUT 2 (SHT. 3)
 VIEW ROTATED 180°
 PUSH-ROD & DECK ARE
 AS VIEWED BY USER

form no. 7530-001-103

mat'l. code		tolerances unless otherwise specified		CUSTOMER COPY		BERG ELECTRONICS		
lfr	ecm no.	dr	date	linear	projection	title		
D				.X ± .3		DOUBLE - DECK HEADER EJECT ASSY		
				.XX ± .13		product family	MCS	code
				.XXX ± .051		size	dwg no	sheet
				angles	mm	A4 93981 2 of 3		
				0° ± 2'	scale	1/1		
				dr R.GRAPE 7/29/96				
				engr D.BRANN 7/29/96				
				chr D.BRANN 7/29/96				
				appd D.BRANN 7/29/96				
sheet index	revision sheet					cage code 22526		

All rights strictly reserved. Reproduction or issue to third parties in any form
 whatsoever is not permitted without written authority from the proprietor.
 Property of ©BERG ELECTRONICS Copyright BERG ELECTRONICS INC.

Tous droits strictement réservés. Reproduction ou communication à des tiers interdite
 sous quelque forme que ce soit sans autorisation écrite du propriétaire.
 Propriété de ©BERG ELECTRONICS. Droits de reproduction BERG ELECTRONICS INC.



- NOTES:
1. ALL TOLERANCES ± 0.15 UNLESS NOTED.
 2. RECOMMENDED DIAMETER IS $\#1.0$ FOR PROCESSES USING PASTE REFLOW. HOLE MAY BE AS SMALL AS $\#0.79$
 3. BOARD VIEW FROM CONNECTOR MOUNTED SIDE TOP OF BOARD IN APPLICATION

mat'l. code		tolerances unless otherwise specified		CUSTOMER COPY		BERG ELECTRONICS		
Rtr	ecn no	dr	date	linear	$.X \pm .3$	projection	title	
D					$.XX \pm .13$		DOUBLE - DECK HEADER EJECT ASSY	
				angles	$.XXX \pm .051$		product family MCS	
				dr	$0 \pm Z$	mm	size	
				engr	R.GRAPE 7/29/96	scale	dwg no	
				chr	D.BRANN 7/29/96	1/1	A4	
				appd	D.BRANN 7/29/96		code	
sheet	revision						93981	
index	sheet						3 of 3	
form no. 7530-001-103							code code	
							22526	