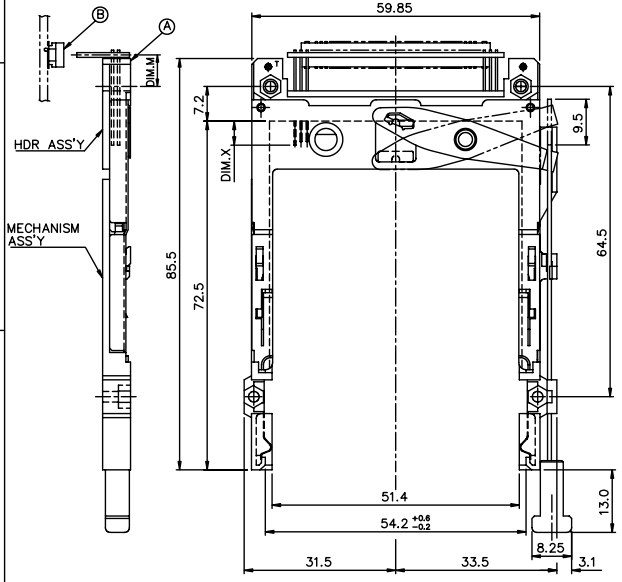


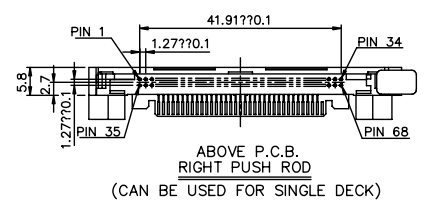
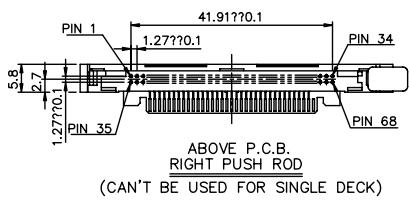
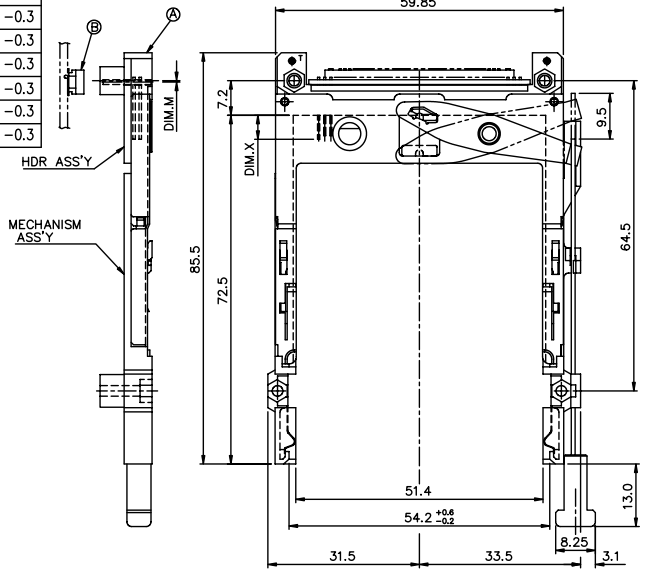
Tous droits strictement réservés. Reproduction ou communication à des tiers sans autorisation écrite du propriétaire. FCI ELECTRONICS INC. Droits de reproduction BERG ELECTRONICS bv

All rights strictly reserved. Reproduction or issue to third parties in any form without written authority from the proprietor. FCI ELECTRONICS INC. Copyright BERG ELECTRONICS bv

PRODUCT NO.	DIM.M
61125-005CA/005CALF	10.0
61125-025CA/025CALF	6.55
61125-045CA/045CALF	6.55
61125-055CA/055CALF	6.55
61125-025CAC/025CACLF	6.55
61125-045CAC/045CACLF	6.55
61125-055CAC/055CACLF	6.55



PRODUCT NO.	DIM.M
61125-020CA/020CALF	-0.3
61125-220CA/220CALF	2.15
61125-040CA/040CALF	-0.3
61125-050CA/050CALF	-0.3
61125-050CAN/050CANLF	-0.3
61125-020CAC/020CACLF	-0.3
61125-040CAC/040CACLF	-0.3
61125-050CAC/050CACLF	-0.3



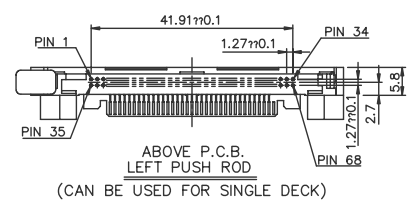
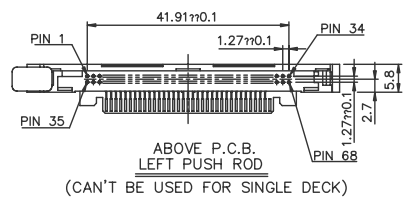
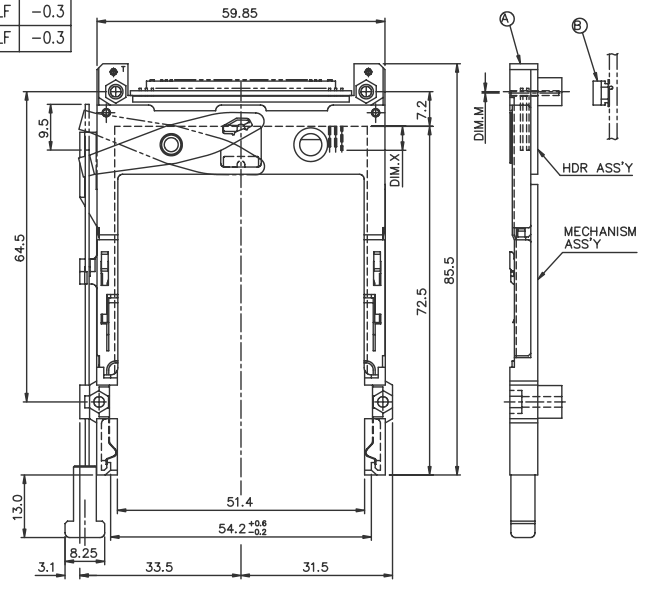
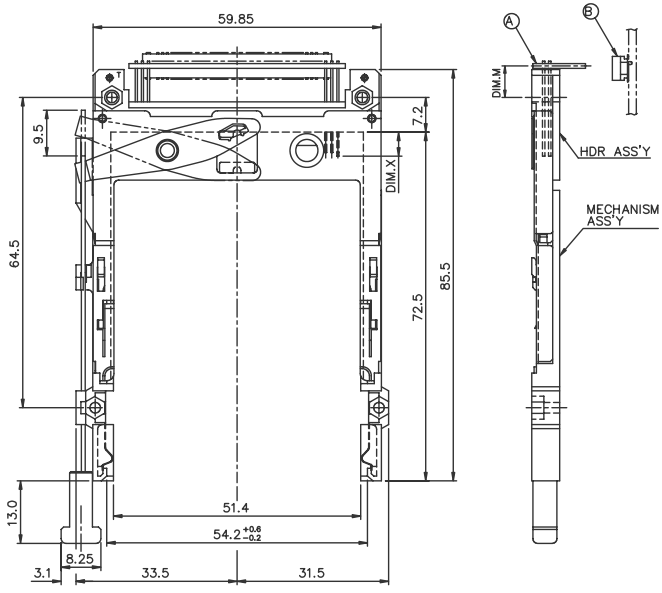
mat'l code		tolerance unless otherwise specified		CUSTOMER COPY			
rev.	ecn no.	dr	date	linear	± 0.30		
J	N05-0063	w	03/04/05				
K	N05-0140	w	05/31/05				
D	T10132	w	05/11/01	angles	± 2°		
E	T10162	w	06/14/01	dr	WENDY CHEN 07/11/95		
F	T20036	w	01/30/02	engr	JOSEPH HSIA 07/11/95		
G	T20234	w	07/25/02	chr	JOSEPH HSIA 07/11/95		
H	T03-0216	w	06/09/03	appd	JENN TSAO 07/11/95		
sheet	revision	K	J	J	K	J	
index	sheet	1	2	3	4	5	6

Tous droits strictement réservés. Reproduction ou communication à des tiers sans autorisation écrite du propriétaire.
 All rights strictly reserved. Reproduction or communication to third parties in any form without written authority from the proprietor.
 Copyright BERG ELECTRONICS S.A.
 Droits de reproduction BERG ELECTRONICS S.A.

All rights strictly reserved. Reproduction or communication to third parties in any form without written authority from the proprietor.
 Copyright BERG ELECTRONICS S.A.

PRODUCT NO.	DIM.M
61125-105CA/105CALF	10.0
61125-125CA/125CALF	6.55
61125-145CA/145CALF	6.55
61125-155CA/155CALF	6.55

PRODUCT NO.	DIM.M
61125-120CA/120CALF	-0.3
61125-140CA/140CALF	-0.3
61125-150CA/150CALF	-0.3



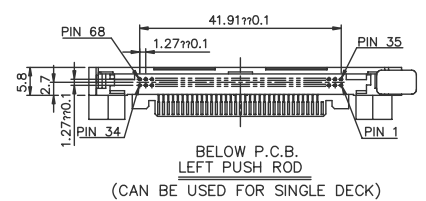
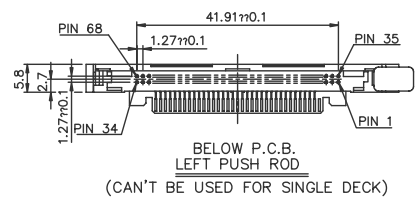
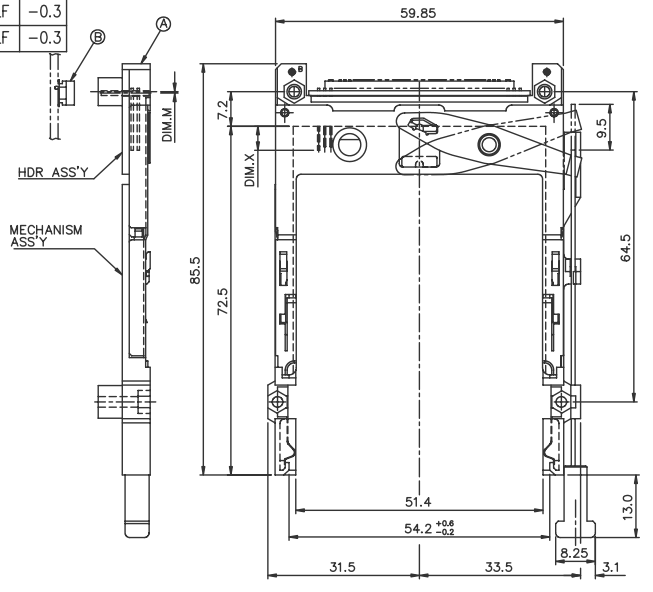
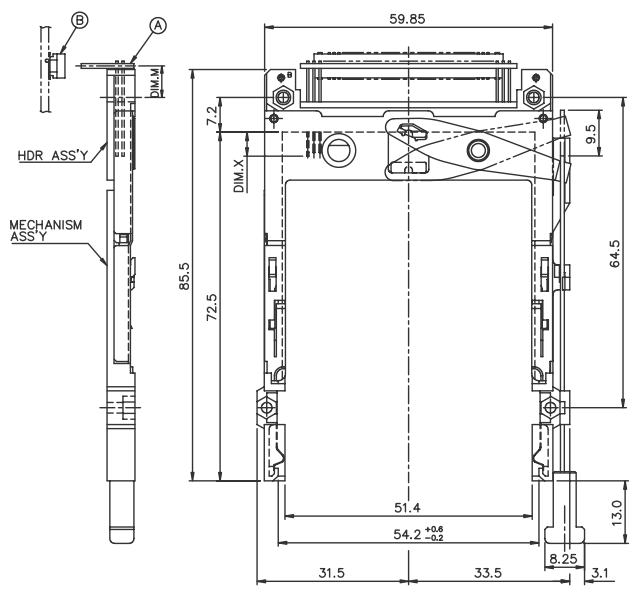
mat'l code	tolerance unless otherwise specified	CUSTOMER COPY	 www.fciconnect.com
rev. J	linear ±0.30	projection	
ecn no.	angles ± 2°	title	EJECTOR HEADER ASS'Y
dr	dr WENDY CHEN 07/11/95	product family	3.3V, SMT TYPE 1/2/3
enr	enr JOSEPH HSIA 07/11/95	unit	mm/inch
chr	chr JOSEPH HSIA 07/11/95	size	A3
appd	appd JENN TSAO 07/11/95	scale	1.2:1
sheet index	revision sheet	product family	61125
		dwg no.	61125
		code	61125
		sheet	2 of

Tous droits strictement réservés. Reproduction ou communication à des tiers sans autorisation écrite du propriétaire. FCI ELECTRONICS INC. Droits de reproduction BERG ELECTRONICS bv

All rights strictly reserved. Reproduction or issue to third parties in any form without written authority from the proprietor. FCI ELECTRONICS INC. Copyright BERG ELECTRONICS bv

PRODUCT NO.	DIM.M
61125-605CA/650CALF	10.0
61125-625CA/625CALF	6.55
61125-645CA/645CALF	6.55
61125-655CA/655CALF	6.55

PRODUCT NO.	DIM.M
61125-620CA/620CALF	-0.3
61125-640CA/640CALF	-0.3
61125-650CA/650CALF	-0.3



mat'l code	tolerance unless otherwise specified	CUSTOMER COPY	FCI www.fciconnect.com	
rev. J	linear ±0.30	projection	title EJECTOR HEADER ASS'Y 3.3V, SMT TYPE 1/2/3	
	angles ± 2°	unit	product family PAKGA code	
	dr WENDY CHEN 07/11/95	mm/inch	size dwg no.	
	enrg JOSEPH HSIA 07/11/95	scale	61125	
	chr JOSEPH HSIA 07/11/95	1:2:1	sheet 3 of	
	appd JENN TSAO 07/11/95			
sheet index	revision sheet			

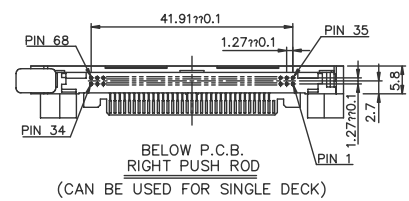
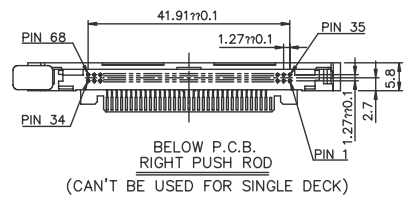
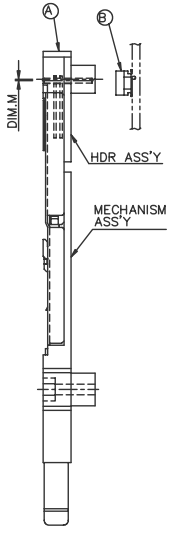
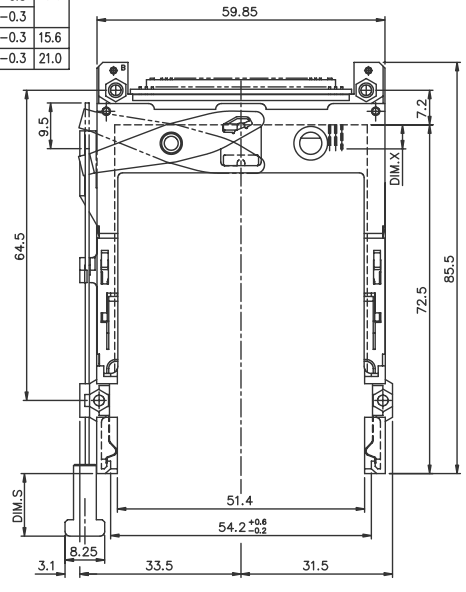
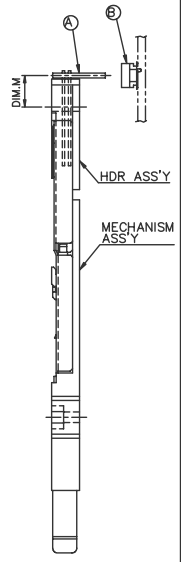
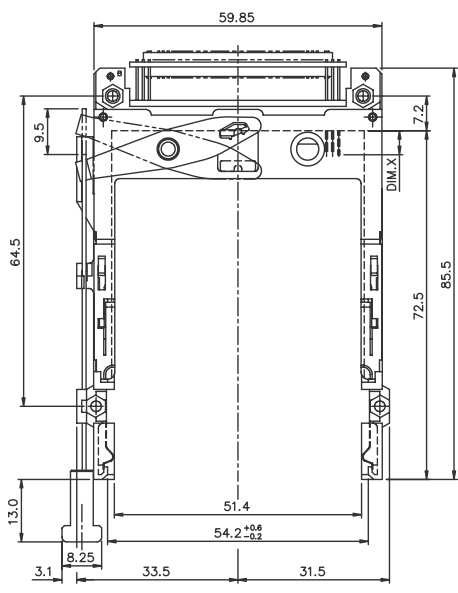
PDM: Rev:K STATUS: Released Printed: Oct 12, 2010

Tous droits strictement réservés. Reproduction ou communication à des tiers int.
 without written authority from the proprietor.
 FCI ELECTRONICS
 Droits de reproduction BERG ELECTRONICS by

All rights strictly reserved. Reproduction or issue to third parties in any form
 without written authority from the proprietor.
 FCI ELECTRONICS
 Copyright BERG ELECTRONICS by

PRODUCT NO.	DIM.M
61125-505CA/505CALF	10.0
61125-525CA/525CALF	6.55
61125-545CA/545CALF	6.55
61125-555CA/555CALF	6.55

PRODUCT NO.	DIM.M	DIM.S
61125-520CA/520CALF	-0.3	
61125-540CA/540CALF	-0.3	13.0
61125-550CA/550CALF	-0.3	
61125-520DA/520DALF	-0.3	15.6
61125-520FA/520FALF	-0.3	21.0



mat'l code	tolerance unless otherwise specified	CUSTOMER COPY	 www.fciconnect.com
rev. J	linear ±0.30	projection	
ecn	angles ± 2°	title	EJECTOR HEADER ASS'Y
no.	dr WENDY CHEN 07/11/95	unit	3.3V, SMT TYPE 1/2/3
dr	enr JOSEPH HSIA 07/11/95	product family	PCMCA
date	chr JOSEPH HSIA 07/11/95	size	dwg no. 61125
	appd JENN TSAO 07/11/95	scale	A3
sheet			code
index			4 of

PDM: Rev:K STATUS Released Printed: Oct 12, 2010

Tous droits strictement réservés. Reproduction ou communication a des tiers int. sans autorisation écrite du propriétaire. FCI ELECTRONICS. Droits de reproduction BERG ELECTRONICS by

All rights strictly reserved. Reproduction or issue to third parties in any form without the prior written authority from the proprietor. FCI ELECTRONICS. Copyright BERG ELECTRONICS by

DESCRIPTION : ABOVE PCB, DECK AND PUSH ROD LOCATION ARE AS VIEW BY USER.

- NOTES:
- 8mm MIN. CARD EJECT.
 - EJECT TRAVEL: 9.5mm
 - PUSH ROD LOCATION AND P.C.B. SIDE ARE AS APPEARS INSTALLED.
 - MATERIAL
 - HEADER ASS'Y:
 - PLASTIC : HOUSING ...LCP UL94V-0 BLACK
 - PIN : PHOSPHOR BRONZE
 - PCB : FR4
 - EJECT MECHANISM ASS'Y:
 - PLASTIC : GUIDE: POLYPHTHARAMID UL94V-0 BLACK
 - : BUTTON: POLYPHTHARAMID UL94V-0 BLACK
 - PLATE AND PUSH ROD : STAINLESS
 - EMI CONTACT: PHOSPHOR BRONZE
 - FINISH (PIN)
 - UNDER PLATING : 0.5µm MIN. Ni
 - CONTACT AREA : 0.1µm MIN. GOLD OVER
 - 0.5µm MIN. Pd-Ni
 - SOLDER TAIL (FOR TIN LEAD OPTION) : 2.5µm MIN. Sn-Pb
 - SOLDER TAIL (FOR LEAD FREE OPTION) : 2.5µm MIN. PURE TIN
 - DIM "X"

4.25±0.1	3.5±0.1	5.0±0.1
OTHERS	36,67	1,17,34,35,51,68

LOWER DECK					
PRODUCT NO.	STAND-OFF HIGH DIM. L	PUSH ROD LOCATION	P.C.B. SIDE	P.C.B LAYOUT RECOMMENDED	MATING RECEPTACLE
61125-020CA/020CALF	2.2	RIGHT	ABOVE	P/N: TA-1056	RECEPTACLE PART NUMBER: 91931-31169F
61125-220CA/220CALF	2.2	RIGHT	ABOVE	SEE PAGE 6	
61125-040CA/040CALF	4.3	RIGHT	ABOVE	SEE DRAWING P/N: TA-1056	
61125-050CA/050CALF	5.0				
61125-050CAN/050CANLF	5.0				
61125-020CAC/020CACLF	2.2				
61125-040CAC/040CACLF	4.3	LEFT	ABOVE	SEE DRAWING P/N: TA-1056	
61125-050CAC/050CACLF	5.0				
61125-120CA/120CALF	2.2				
61125-140CA/140CALF	4.3				
61125-150CA/150CALF	5.0	RIGHT	BELOW	SEE DRAWING P/N: TA-1056	
61125-520CA/520CALF	2.2				
61125-520FA/520FALF	2.2				
61125-520DA/520DALF	2.2				
61125-540CA/540CALF	4.3	LEFT	BELOW	SEE DRAWING P/N: TA-1056	
61125-550CA/550CALF	5.0				
61125-620CA/620CALF	2.2				
61125-640CA/640CALF	4.3				
61125-650CA/650CALF	5.0				

UPPER DECK									
PRODUCT NO.	JOINT WITH LOWER DECK STAND-OFF HIGH(DIM. L)	PUSH ROD LOCATION	P.C.B. SIDE	MATING RECEPTACLE	MOUNT STYLE TO PCB AND PUSH ROD SIDE				
61125-005CA/005CALF	0.0	RIGHT	ABOVE	RECEPTACLE PART NUMBER: 91931-31169F					
61125-025CA/025CALF	2.2								
61125-045CA/045CALF	4.3								
61125-055CA/055CALF	5.0								
61125-025CAC/025CACLF	2.2	LEFT	ABOVE		RECEPTACLE PART NUMBER: 91931-31169F				
61125-045CAC/045CACLF	4.3								
61125-055CAC/055CACLF	5.0								
61125-105CA/105CALF	0.0								
61125-125CA/125CALF	2.2	RIGHT	BELOW			RECEPTACLE PART NUMBER: 91931-31169F			
61125-145CA/145CALF	4.3								
61125-155CA/155CALF	5.0								
61125-505CA/505CALF	0.0								
61125-525CA/525CALF	2.2	LEFT	BELOW				RECEPTACLE PART NUMBER: 91931-31169F		
61125-545CA/545CALF	4.3								
61125-555CA/555CALF	5.0								
61125-605CA/605CALF	0.0								
61125-625CA/625CALF	2.2								

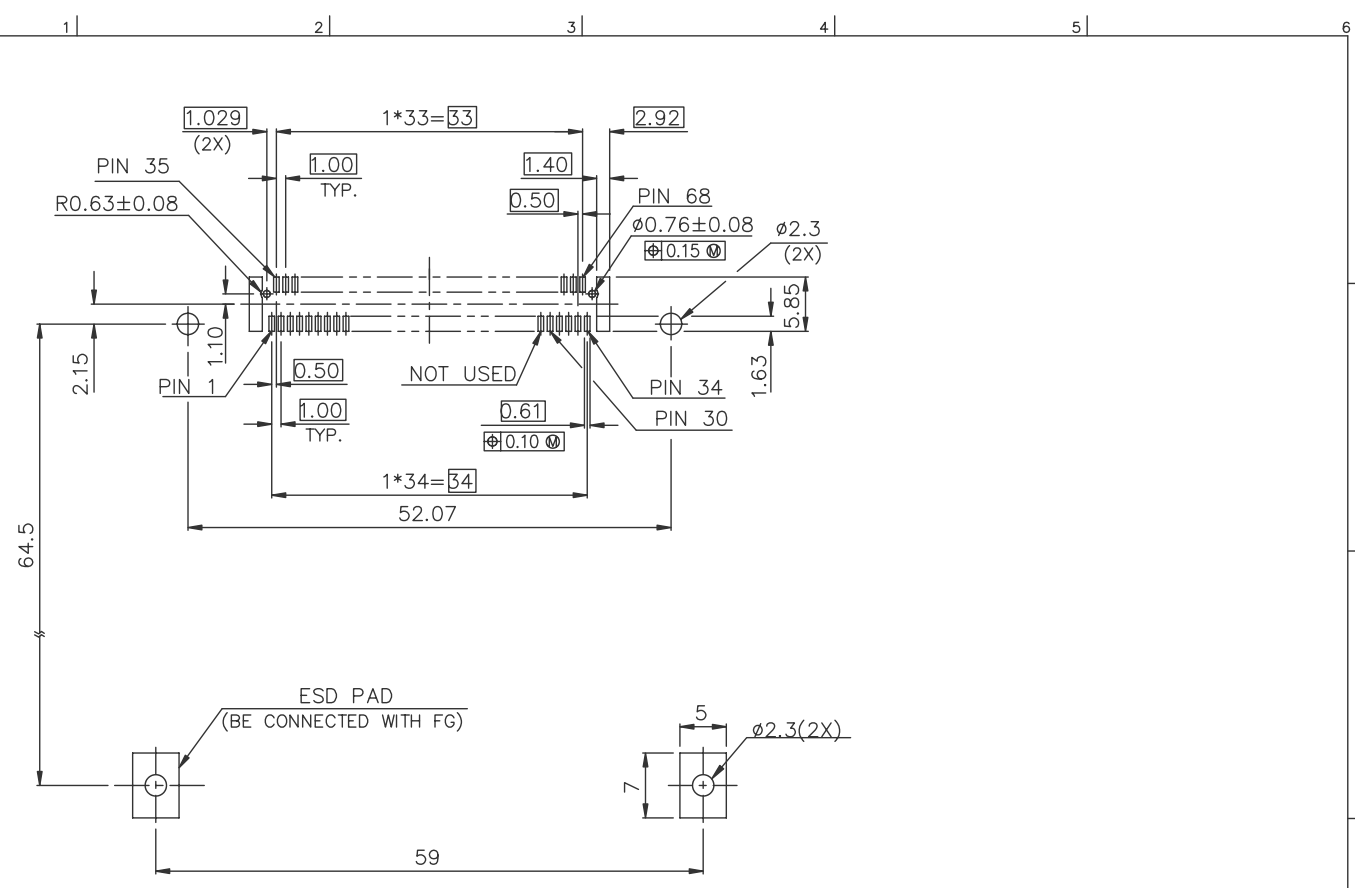
- FOR P/N: 61125-050CAN AND 61125-050CANLF:
 - TIGHTENING TORQUE OF SCREW: 1.5 ~ 2.0 Kgf-cm
 - LUBRICANT SHOULD BE SPREAD TO MATING AREA OF PINS.
- IF LEAD FREE P.N.THE HOUSING WILL WITHSTAND EXPOSURE TO 260°C PEAK TEMPERATURE FOR 10 SECONDS IN A WAVE SOLDER APPLICATION WITH A 1.00MM MINIMUM THICK CIRCUIT BOARD.
- IF LEAD FREE P/N.THE PRODUCT MEETS EUROPEAN UNION DIRECTIVES AND OTHER COUNTRY REGULATIONS AS DISCRIBED IN GS-22-008
- LEAD FREE P/N PACKAGING MEETS GS-14-920 SPECIFICATION
- PART NUMBER 61125-****CA, -****CALF IS FOR CISCO

ORDERING INFORMATION			
NAME	PART NO.	PART NO.	Q'TY
(A) EJECT HEADER ASS'Y	61125-****	61125-*****LF	1
(B) MATING RECEPTACLE	91931-31169	91931-31169LF	1

mat'l code	tolerance unless otherwise specified	CUSTOMER COPY	 www.fciconnect.com
rev. K	linear	projection	
ecn no.	angles	unit	product family PCMCIA
dr	dr WENDY CHEN 07/11/95	mm/inch	code
engr	engr JOSEPH HSIA 07/11/95	scale	size 61125
chr	chr JOSEPH HSIA 07/11/95	1:2:1	sheet 5 of
appd	appd JENN TSAO 07/11/95		
sheet index	revision sheet		

Tous droits strictement réservés. Reproduction ou communication à des tiers sans autorisation écrite du propriétaire. FCI ELECTRONICS. Droits de reproduction BERG ELECTRONICS by

All rights strictly reserved. Reproduction or issue to third parties in any form without the prior written authority from the proprietor. Copyright BERG ELECTRONICS by



BOARD VIEW FROM CONNECTOR MOUNTED SIDE
TOP OF BOARD IN APPLICATION
FOR 61125-220CA/220CALF ONLY

mat'l code				tolerance unless otherwise specified		CUSTOMER COPY		FCI www.fciconnect.com	
rev.	ecn no.	dr	date	linear	±0.1	projection	title		
J				angles			P.C.B LAYOUT		
				dr	WENDY CHEN 01/30/02	unit	product family	PCMG	code
				engr	MINERVA WANG 01/30/02	mm/inch	size	dwg no.	sheet
				chr	MINERVA WANG 01/30/02	scale	A3	61125	6 OF
				appd	JENN TSAO 01/30/02	1.2:1			
sheet index	revision sheet								

PDM: Rev:K STATUS Released Printed: Oct 12, 2010