

PRODUCT NO.  
92193

S		Revision Transfer to Nantong		J05-0215	M.H	4/25/06	REVISIONS			
REV	DESCRIPTION	ECN	BY	DATE						
T	REVISD (ADDED -*****LF)	N05-0127	WB	05/18/06						
U	ADD NEW P/N -120CAHF	N07-0026	DT	1/29/07						
V	CORRECT WRONG DRAWING	N09-0163	SJH	6/3/09						
B	REVISED	130128	M.K	12/1/04						
C	REVISED	V40163	M.K	5/26/04						
D	REVISED	V40740	M.K	5/26/04						
E	REVISED	V40840	M.K	1/5/04						
F	REVISED	V40198	M.K	1/19/04						
G	REVISED	V32120	M.K	12/27/04						
H	REVISED	V40349	M.K	1/20/05						
J	REVISED	V50242	M.K	1/18/05						
K	REVISED	V60956	M.K	7/29/06						
L	REVISED (ADDED-050CAH -130CA -130CAH)	U70134	K.S	8/8/07						
M	REVISED	N90076	M.K	7/22/09						
N	REVISED (ADDED-502FA)	N19159	M.K	1/11/09						
P	REVISED	025-0198	M.H	4/7/05						
R	REVISED	W04-0826	M.H	4/25/05						

PRODUCT NO.	STAND	DIM "N"	PUSH ROD	HDR	HOLD DOWN	MECH ASSY	HDR ASSY	DIM "P"	HDR	SHEET	MOUNT STYLE TO PCB
92193-XXXXX	OFF(mm)	(mm)	COLOR	SOLDER TAIL		92192-XXXXX	92140-XXXX	(mm)	COLOR	NO.	& DIRECTION OF PUSH ROD
000AA	0	8	BLACK	R/A	NONE	00AA	000	2.8			
000CA	0	13	BLACK	R/A	NONE	00CA	000	2.8			
000CAH	0	13	BLACK	R/A	YES	00CAH	000H	2.8			
000CB	0	13	BLUE	R/A	NONE	00CB	000	2.8			
000CBH	0	13	BLUE	R/A	YES	00CBH	000H	2.8			
000FA	0	21	BLACK	R/A	YES	00FA	000	2.8			
001AA	0	8	BLACK	SMT STAGGERED	NONE	00AA	001	-	BLACK	NO.2	TOP MOUNT TO PCB & RIGHT PUSH ROD
001AAH	0	8	BLACK	SMT STAGGERED	YES	00AAH	001H	-			
001CA	0	13	BLACK	SMT STAGGERED	NONE	00CA	001	-			
001CAH	0	13	BLACK	SMT STAGGERED	YES	00CAH	001H	-			
001FA	0	21	BLACK	SMT STAGGERED	NONE	00FA	001	-			
001FAH	0	21	BLACK	SMT STAGGERED	YES	00FAH	001H	-			
002CA	0	13	BLACK	SMT IN LINE	NONE	00CA	002	-			
002CAH	0	13	BLACK	SMT IN LINE	YES	00CAH	002H	-			
020CA	2	13	BLACK	R/A	NONE	02CA	040	2.5			
040CA	4	13	BLACK	R/A	NONE	04CA	010	2.8			
050CA	5	13	BLACK	R/A	NONE	05CA	020	2.8			
050CAH	5	13	BLACK	R/A	YES	05CAH	020H	2.8			
100CA	0	13	BLACK	R/A	NONE	10CA	000	2.8			
100CAH	0	13	BLACK	R/A	YES	10CAH	000H	2.8			
101CA	0	13	BLACK	SMT STAGGERED	NONE	10CA	001	-			
101CAH	0	13	BLACK	SMT STAGGERED	YES	10CAH	001H	-			
101FA	0	21	BLACK	SMT STAGGERED	NONE	10FA	001	-			
101FAH	0	21	BLACK	SMT STAGGERED	YES	10FAH	001H	-			
102CA	0	13	BLACK	SMT IN LINE	NONE	10CA	002	-			
102CAH	0	13	BLACK	SMT IN LINE	YES	10CAH	002H	-			
120CA	2	13	BLACK	R/A	NONE	12CA	040	2.5			
120FA	2	21	BLACK	R/A	NONE	12FA	040	2.5			
130CA	3	13	BLACK	R/A	NONE	13CA	050	2.8			
130CAH	3	13	BLACK	R/A	YES	13CAH	050H	2.8			
140CA	4	13	BLACK	R/A	NONE	14CA	010	2.8			
150CA	5	13	BLACK	R/A	NONE	15CA	020	2.8			
500CA	0	13	BLACK	R/A	NONE	10CA	500	2.8			
500CAH	0	13	BLACK	R/A	YES	10CAH	500H	2.8			
500FA	0	21	BLACK	R/A	NONE	10FA	500	2.8			
501CA	0	13	BLACK	SMT STAGGERED	NONE	10CA	501	-			
501CAH	0	13	BLACK	SMT STAGGERED	YES	10CAH	501H	-	NATURAL	NO.6	BOTTOM MOUNT TO PCB & RIGHT PUSH ROD
502CA	0	13	BLACK	SMT IN LINE	NONE	10CA	502	-			
502CAH	0	13	BLACK	SMT IN LINE	YES	10CAH	502H	-			
502FA	0	21	BLACK	SMT IN LINE	NONE	10FA	502	-			
520CA	2	13	BLACK	R/A	NONE	12CA	540	2.5			
540CA	4	13	BLACK	R/A	NONE	14CA	510	2.8			
550CA	5	13	BLACK	R/A	NONE	15CA	520	2.8			
600CA	0	13	BLACK	R/A	NONE	00CA	500	2.8			
600CAH	0	13	BLACK	R/A	YES	00CAH	500H	2.8			
601CA	0	13	BLACK	SMT STAGGERED	NONE	00CA	501	-			
601CAH	0	13	BLACK	SMT STAGGERED	YES	00CAH	501H	-			
602CA	0	13	BLACK	SMT IN LINE	NONE	00CA	502	-			
602CAH	0	13	BLACK	SMT IN LINE	YES	00CAH	502H	-			
620CA	2	13	BLACK	R/A	NONE	02CA	540	2.5			
640CA	4	13	BLACK	R/A	NONE	04CA	510	2.8			
650CA	5	13	BLACK	R/A	NONE	05CA	520	2.8			

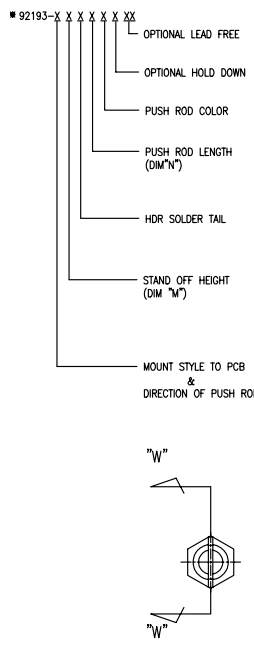
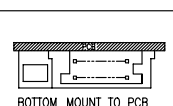
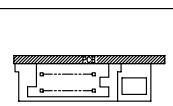
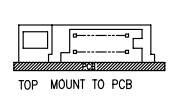
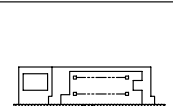
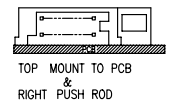
△

△

△

△

△



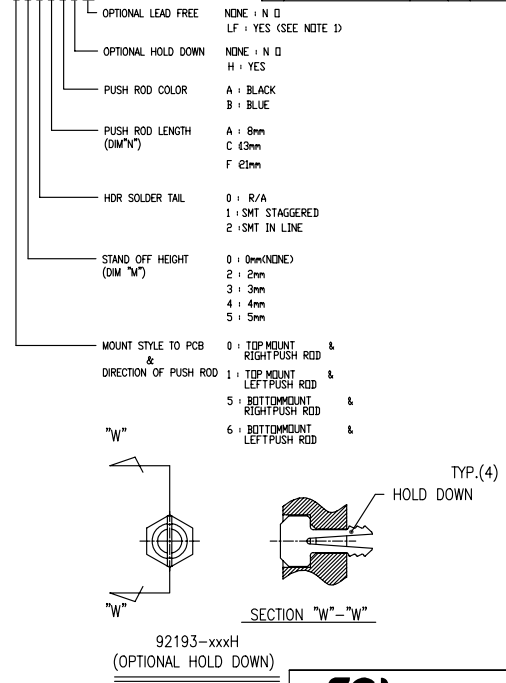
NOTE  
1. THIS PRODUCT MEETS EUROPEAN UNION  
DIRECTIVES AND OTHER COUNTRY  
REGULATIONS AS DESCRIBED IN GS-22-008.

SHEET INDEX	ISSUE					DATE		CUSTOMER COPY		TITLE	
	SH NO.					04/18/06		Hasegawa		68P EJECTOR HEADER ASSY FOR TYPE I/II/III (FOR 5.0V)	
TOLERANCES UNLESS OTHERWISE SPECIFIED		MAY		DATE		Hasegawa		PRODUCT FAMILY		CODE	
				04/18/06		Hasegawa		SANF Header PCMCIA		4P	
LINEAR		FINISH		APPD		UNIT		SCALE		SIZE DWG. NO.	
								C		92193	
ANGLES										REV SHEET	
										V 1 of 0	

FCJ  
DO NOT SCALE PRINT THIS INFORMATION IS CONFIDENTIAL AND IS DISCLOSED TO YOU ON CONDITION THAT NO FURTHER DISCLOSURE IS MADE BY YOU TO OTHER THAN FCJ PERSONNEL WITHOUT WRITTEN AUTHORIZATION FROM FCJ JAPAN K.K.

PRODUCT NO.	STAND	DIM "N"	PUSH ROD	HDR	HOLD DOWN	MECH ASSY	HDR ASSY	DIM "P"	HDR	SHEET	MOUNT STYLE TO PCB
92193-XXXXX	(OFF)(mm)	(mm)	COLOR	SOLDER TAIL		92192-XXXXX	92140-XXXX	(mm)	COLOR	NO.	& DIRECTION OF PUSH ROD
000AALF	0	8	BLACK	R/A	NONE	00AA	000LF	2.8			
000CALF	0	13	BLACK	R/A	NONE	00CA	000LF	2.8			
000CAHLF	0	13	BLACK	R/A	YES	00CAH	000HLF	2.8			
000CBLF	0	13	BLUE	R/A	NONE	00CB	000LF	2.8			
000CBHLF	0	13	BLUE	R/A	YES	00CBH	000HLF	2.8			
000FALF	0	21	BLACK	R/A	YES	00FA	000LF	2.8			
001AA	0	8	BLACK	SMT STAGGERED	NONE	00AA	001	-#	BLACK	NO.2	TOP MOUNT TO PCB & RIGHT PUSH ROD
001AAH	0	8	BLACK	SMT STAGGERED	YES	00AAH	001H	-#			
001CA	0	13	BLACK	SMT STAGGERED	NONE	00CA	001	-#			
001CAH	0	13	BLACK	SMT STAGGERED	YES	00CAH	001H	-#			
001FA	0	21	BLACK	SMT STAGGERED	NONE	00FA	001	-#			
001FAH	0	21	BLACK	SMT STAGGERED	YES	00FAH	001H	-#			
002CA	0	13	BLACK	SMT IN LINE	NONE	00CA	002	-#			
002CAH	0	13	BLACK	SMT IN LINE	YES	00CAH	002H	-#			
020CALF	2	13	BLACK	R/A	NONE	02CA	040LF	2.5			
040CALF	4	13	BLACK	R/A	NONE	04CA	010LF	2.8			
050CALF	5	13	BLACK	R/A	NONE	05CA	020LF	2.8			
050CAHLF	5	13	BLACK	R/A	YES	05CAH	020HLF	2.8			
100CALF	0	13	BLACK	R/A	NONE	10CA	000LF	2.8			
100CAHLF	0	13	BLACK	R/A	YES	10CAH	000HLF	2.8			
101CA	0	13	BLACK	SMT STAGGERED	NONE	10CA	001	-#	BLACK	NO.3	TOP MOUNT TO PCB & LEFT PUSH ROD
101CAH	0	13	BLACK	SMT STAGGERED	YES	10CAH	001H	-#			
101FA	0	21	BLACK	SMT STAGGERED	NONE	10FA	001	-#			
101FAH	0	21	BLACK	SMT STAGGERED	YES	10FAH	001H	-#			
102CA	0	13	BLACK	SMT IN LINE	NONE	10CA	002	-#			
102CAH	0	13	BLACK	SMT IN LINE	YES	10CAH	002H	-#			
120CALF	2	13	BLACK	R/A	NONE	12CA	040LF	2.5			
120CAHLF	2	13	BLACK	R/A	YES	12CAH	040HLF	2.5			
120FALF	2	21	BLACK	R/A	NONE	12FA	040LF	2.5			
130CALF	3	13	BLACK	R/A	NONE	13CA	050LF	2.8			
140CALF	3	13	BLACK	R/A	YES	13CAH	050HLF	2.8			
140CAHLF	3	13	BLACK	R/A	YES	14CAH	050HLF	2.8			
150CALF	4	13	BLACK	R/A	NONE	15CA	010LF	2.8			
150CALF	5	13	BLACK	R/A	NONE	15CA	020LF	2.8			
500CALF	0	13	BLACK	R/A	NONE	10CA	500LF	2.8			
500CAHLF	0	13	BLACK	R/A	YES	10CAH	500HLF	2.8			
500FALF	0	21	BLACK	R/A	NONE	10FA	500LF	2.8			
501CA	0	13	BLACK	SMT STAGGERED	NONE	10CA	501	-#	NATURAL	NO.4	TOP MOUNT TO PCB & RIGHT PUSH ROD
501CAH	0	13	BLACK	SMT STAGGERED	YES	10CAH	501H	-#			
502CA	0	13	BLACK	SMT IN LINE	NONE	10CA	502	-#			
502CAH	0	13	BLACK	SMT IN LINE	YES	10CAH	502H	-#			
502FA	0	21	BLACK	SMT IN LINE	NONE	10FA	502	-#			
520CALF	2	13	BLACK	R/A	NONE	12CA	540LF	2.5			
540CALF	4	13	BLACK	R/A	NONE	14CA	510LF	2.8			
550CALF	5	13	BLACK	R/A	NONE	15CA	520LF	2.8			
600CALF	0	13	BLACK	R/A	NONE	00CA	500LF	2.8			
600CAHLF	0	13	BLACK	R/A	YES	00CAH	500HLF	2.8			
601CA	0	13	BLACK	SMT STAGGERED	NONE	00CA	501	-#	NATURAL	NO.5	TOP MOUNT TO PCB & LEFT PUSH ROD
601CAH	0	13	BLACK	SMT STAGGERED	YES	00CAH	501H	-#			
602CA	0	13	BLACK	SMT IN LINE	NONE	00CA	502	-#			
602CAH	0	13	BLACK	SMT IN LINE	YES	00CAH	502H	-#			
620CALF	2	13	BLACK	R/A	NONE	02CA	540LF	2.5			
640CALF	4	13	BLACK	R/A	NONE	04CA	510LF	2.8			
650CALF	5	13	BLACK	R/A	NONE	05CA	520LF	2.8			

S		Revision Transfer to Nanting		J05-0215	M.H	4/25/06	REVISIONS				
T	REVISED (ADDED -*****L)	N05-0127	WB				REV	DESCRIPTION	ECN	BY	DATE
							A	CORRECT WRONG DRAWING	909-0183	S.H	8/3/06
							B	REVISED	130128	M.K	12/1/06
							C	REVISED	V40163	M.K	5/26/06
							D	REVISED	V40740	M.K	6/24/06
							E	REVISED	V40840	M.K	7/5/06
							F	REVISED	V40198	M.K	7/19/06
							G	REVISED	V32120	M.K	12/27/06
							H	REVISED	V40349	M.K	1/20/06
							J	REVISED	V50242	M.K	1/18/06
							K	REVISED	V60956	M.K	7/29/06
							L	REVISED (ADDED-050CAH -130CA -130CAH)	U70134	K.S	8/8/07
							M	REVISED	N90076	M.K	7/22/06
							N	REVISED (ADDED-502FA)	V19159	M.H	1/11/06
							P	REVISED	05-0198	M.H	4/7/06
							R	REVISED	04-0828	M.H	4/25/06

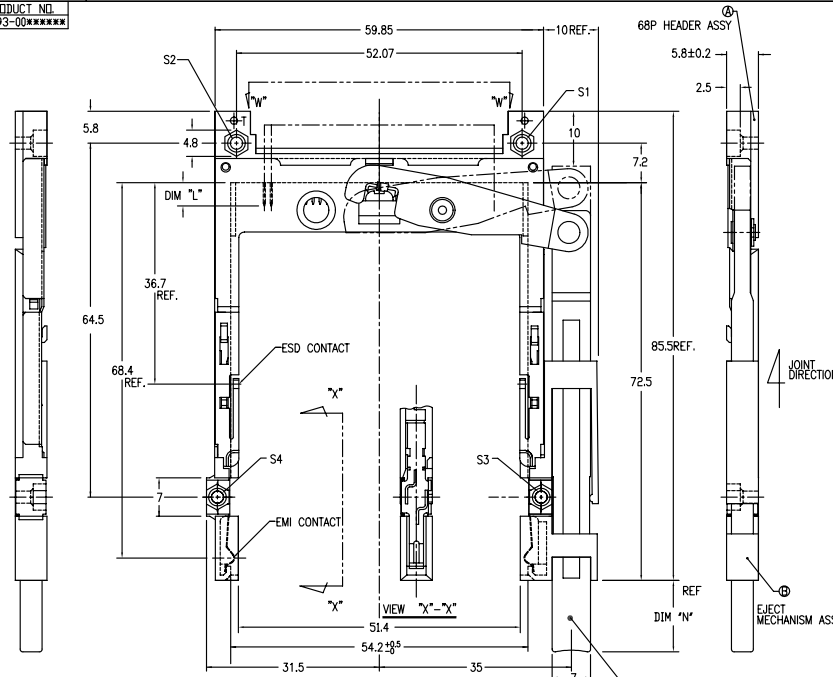


NOTE  
1. THIS PRODUCT MEETS EUROPEAN UNION  
DIRECTIVES AND OTHER COUNTRY  
REGULATIONS AS DESCRIBED IN GS-22-008.

SHEET INDEX	ISSUE	SH NO.	DATE	CUSTOMER COPY	TITLE
					68P EJECTOR HEADER ASSY FOR TYPE I/II/III (FOR 5.0V)
	TOLERANCES UNLESS OTHERWISE SPECIFIED	MAT	DATE	BY	PRODUCT FAMILY
			04/25/06	M.Hasegawa	68P
			04/25/06	M.Hasegawa	Header PCMCIA
LINEAR	FINISH	CRK	APPD	UNIT	SCALE
					SIZE DWG. NO.
ANGLES					92193
					REV SHEET
					V 2 of

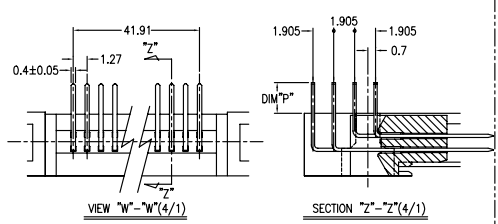
FCJ  
DO NOT SCALE PRINT THIS INFORMATION IS CONFIDENTIAL AND IS DISCLOSED TO YOU ON CONDITION THAT NO FURTHER DISCLOSURE IS MADE BY YOU TO OTHER THAN FCJ PERSONNEL WITHOUT WRITTEN AUTHORIZATION FROM FCJ JAPAN K.K.

PRODUCT NO.  
92193-00\*\*\*\*\*

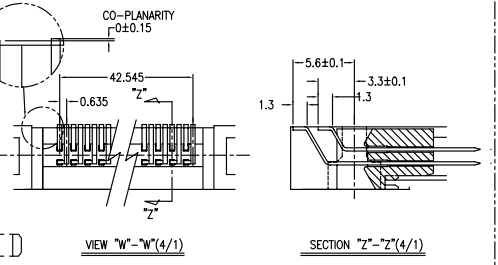


REVISIONS			
REV	DESCRIPTION	ECN	BY DATE
L	REVISED	J05-0198	M.H. 4/4/95
M	REVISED	104-0820	M.H. 4/25/95
T	REVISED (ADDED -*****LF)	105-0127	RB 1/25/98/95
U	REVISED		
V	REVISED		
G	REVISED	J40198	M.K. 1/29/94
H	REVISED	J40349	M.K. 1/9/95
J	REVISED	J50242	M.K. 1/18/95
K	REVISED	J70134	K.S. 8/8/97

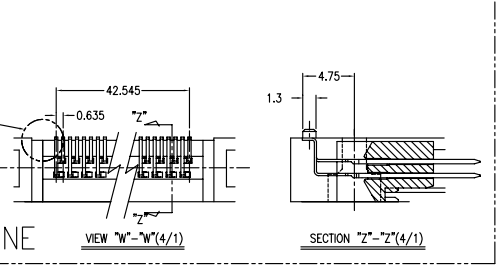
PRODUCT NO.	REVISION
92193-000AA/000AALF	△
92193-000CA/000CALF	△
92193-000CB/000CBLF	△
92193-000CH/000CHLF	△
92193-000FA/000FALF	△



PRODUCT NO.	REVISION
92193-001AA	
92193-001AAH	
92193-001CA	
92193-001CAH	
92193-001FA	
92193-001FAH	



PRODUCT NO.	REVISION
92193-002CA	
92193-002CAH	



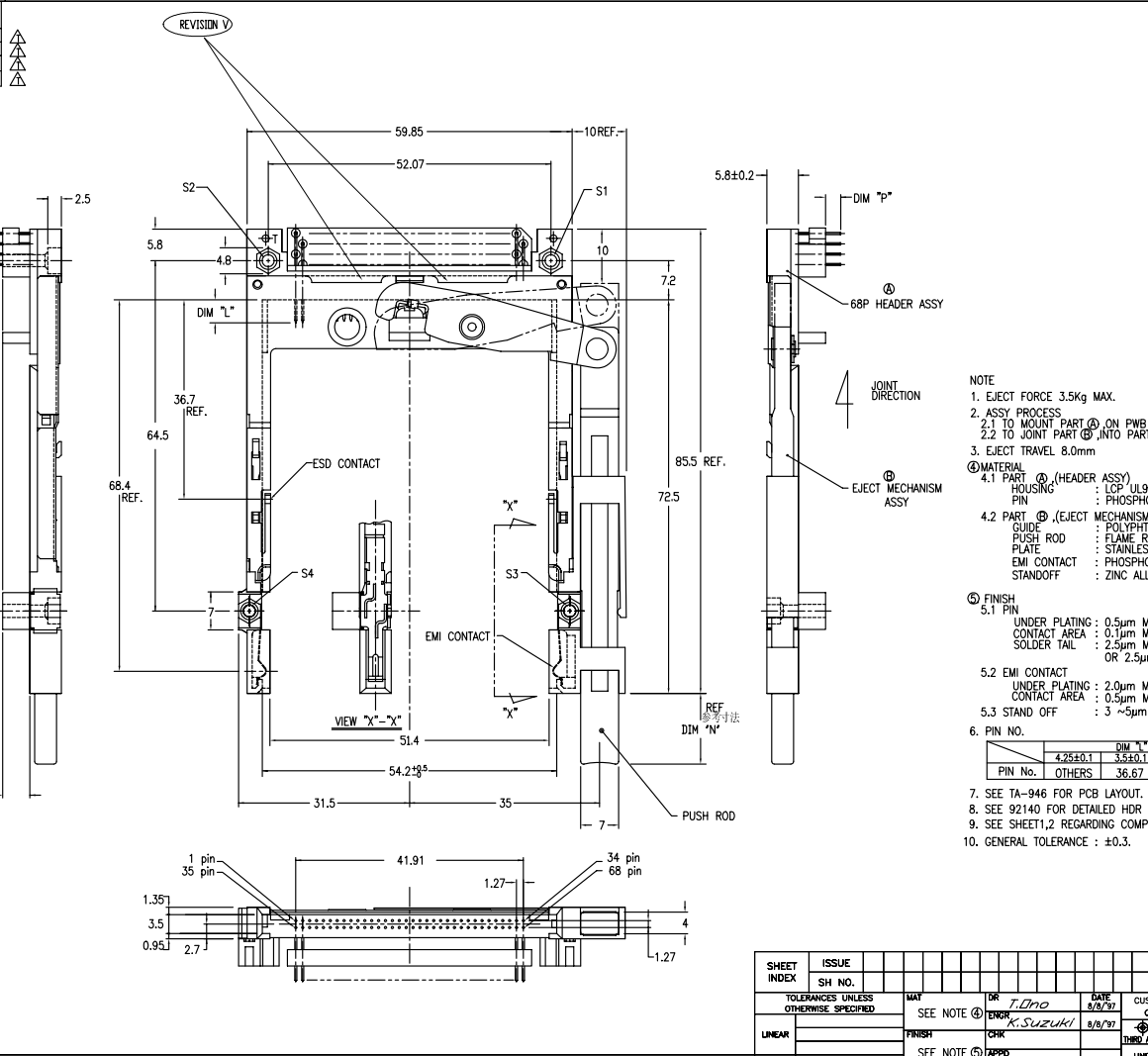
- NOTE
- EJECT FORCE 3.5Kg MAX.
  - ASSY PROCESS
    - TO MOUNT PART ① ON PWB WITH SCREW (S1,S2) AND SOLDER.
    - TO JOINT PART ② INTO PART ①, THEN FIX PART ③ WITH 2 SCREWS (S3,S4).
  - EJECT TRAVEL 8.0mm
- ④ MATERIAL
- PART ① (HEADER ASSY)
    - HOUSING : LCP UL94V-0
    - PIN : PHOSPHOR BRONZE
  - PART ② (EJECT MECHANISM ASSY)
    - PUSH ROD : POLYPHTHARAMID UL94V-0 BLACK
    - PLATE : FLAME RETARDANT UL94V-0
    - EMI CONTACT : STAINLESS
    - EMI CONTACT : PHOSPHOR BRONZE
  - OPTIONAL HOLD-DOWN : BRASS
- ⑤ FINISH
- 5.1 PIN
    - UNDER PLATING : 0.5µm MIN. Ni
    - CONTACT AREA : 0.1µm MIN. Au OVER 0.5µm MIN. Pd-Ni
    - SOLDER TAIL : 2.5µm MIN. Sn-Pb OR 2.5µm MIN. PURE Sn.(FOR -\*\*\*\*\*LF)
  - EMI CONTACT
    - UNDER PLATING : 2.0µm MIN. Ni
    - CONTACT AREA : 0.5µm MIN. Au
  - OPTIONAL HOLD-DOWN : 2.5µm MIN. PURE Sn.
6. PIN NO.
- | PIN NO. | DIM "L"  | DIM "N"   |
|---------|----------|-----------|
| 1-35    | 4.25±0.1 | 3.5±0.1   |
| 36-67   | 3.67     | 1.724     |
| 68      |          | 3.21±0.08 |
- SEE TA-946 FOR PCB LAYOUT.
  - SEE 92140 FOR DETAILED HDR DIMENSION.
  - SEE SHEET 1,2 REGARDING COMPONENTS.
  - GENERAL TOLERANCE : ±0.3

SHEET INDEX	ISSUE SH. NO.	DATE	CUSTOMER COPY	TITLE	PRODUCT FAMILY	SCALE	SIZE	DWG. NO.	REV SHEET
		1/25/05		68P EJECTOR HEADER ASSY FOR TYPE I/II/III (FOR 5.0V)	Header PCMCIA	2/1	C	92193	3 OF



DO NOT SCALE PRINT THIS INFORMATION IS CONFIDENTIAL AND IS DISCLOSED TO YOU ON CONDITION THAT NO FURTHER DISCLOSURE IS MADE BY YOU TO OTHER THAN FCJ PERSONNEL WITHOUT WRITTEN AUTHORIZATION FROM FCJ JAPAN K.K.

PRODUCT NO.
92193-020CA/020CALF
92193-040CA/040CALF
92193-050CA/050CALF
92193-050CAH/050CAHLF



REVISIONS				
REV	DESCRIPTION	ECN	BY	DATE
A	RELEASED	J30022	N.T	0/19/93
B	REVISED	J40163	M.K	5/28/94
C	REVISED	V40840	M.K	7/ 5/94
D	REVISED	V32120	M.K	12/21/94
E	REVISED	J40349	M.K	1/19/95
F	REVISED	J50242	M.K	1/18/95
G	REVISED (ADDED-050CAH)	J70134	K.S	1/18/97
T	REVISED (ADDED -*****LF)	N65-0127	W6	1/25/18/95
U				
V				

- NOTE
- EJECT FORCE 3.5Kg MAX.
  - ASSY PROCESS
    - TO MOUNT PART ② ON PWB WITH SCREW (S1,S2) AND SOLDER
    - TO JOINT PART ③ INTO PART ② THEN FIX PART ② WITH 2 SCREWS (S3,S4).
  - EJECT TRAVEL 8.0mm
  - MATERIAL
    - PART ② (HEADER ASSY)
      - HOUSING : LCP UL94V-0
      - PIN : PHOSPHOR BRONZE
    - PART ③ (EJECT MECHANISM ASSY)
      - GUIDE : POLYIMIDAMIDE UL94V-0 BLACK
      - PUSH ROD : FLAME RETARDANT UL94V-0
      - PLATE : STAINLESS
      - EMI CONTACT : PHOSPHOR BRONZE
      - STANDOFF : ZINC ALLOYS DIE CASTING
  - FINISH
    - PIN
      - UNDER PLATING : 0.5μm MIN. Ni
      - CONTACT AREA : 0.1μm MIN. Au OVER 0.5μm MIN. Pd-Ni
      - SOLDER TAIL : 2.5μm MIN. Sn-Pb
      - OR 2.5μm MIN. PURE Sn.(FOR -\*\*\*\*\*LF)
    - EMI CONTACT
      - UNDER PLATING : 2.0μm MIN. Ni
      - CONTACT AREA : 0.5μm MIN. Au
    - STAND OFF : 3 ~5μm Ni, OVER 5 ~10μm Cu.

DIM L*	
PIN No.	OTHERS
4.25±0.1	3.5±0.1
36.67	35.5±0.08

- PIN NO.
- SEE TA-946 FOR PCB LAYOUT.
- SEE 92140 FOR DETAILED HDR DIMENSION.
- SEE SHEET1,2 REGARDING COMPONENTS.
- GENERAL TOLERANCE : ±0.3.

DF-003A REV C

DO NOT SCALE PRINT THIS INFORMATION IS CONFIDENTIAL AND IS DISCLOSED TO YOU ON CONDITION THAT NO FURTHER DISCLOSURE IS MADE BY YOU TO OTHER THAN BENG PERSONNEL WITHOUT WRITTEN AUTHORIZATION FROM BENG ELECTRONICS JAPAN K.K.

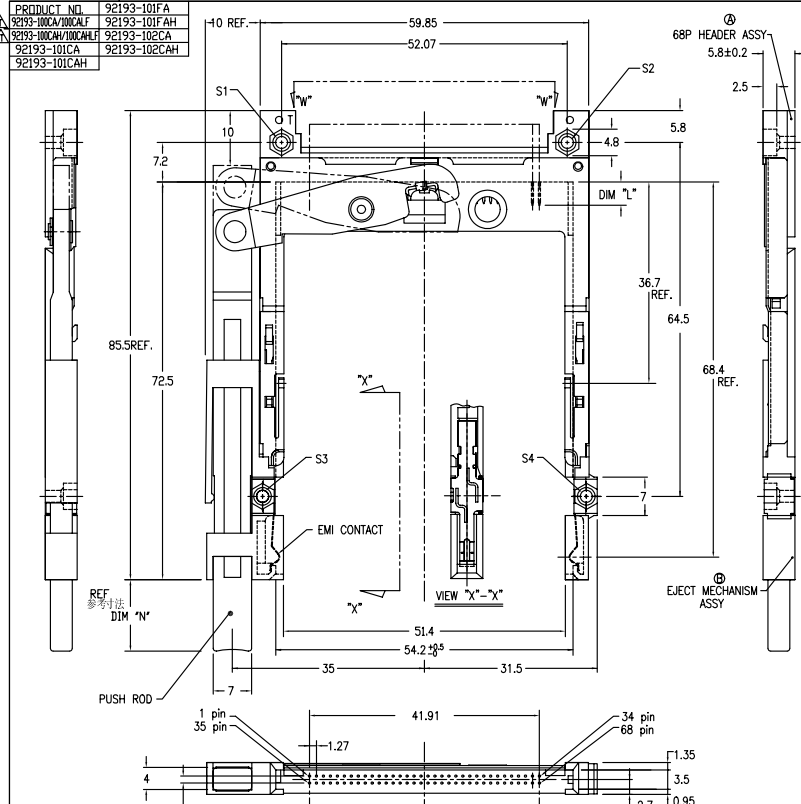
SHEET INDEX	ISSUE	DATE	CUSTOMER	TITLE
	SH NO.			68P EJECTOR HEADER ASSY
	TOLERANCES UNLESS OTHERWISE SPECIFIED	MAT	DR T.DMO	FOR TYPE I/II/III (FOR 5.0V)
	SEE NOTE ④	ENGR K.SUZUKI	DATE 8/8/97	SCALE 2/1
LINEAR	FINISH	CHK	UNIT	DWG. NO. 92193
	SEE NOTE ⑤	APPD		REV SHEET 4 of 4



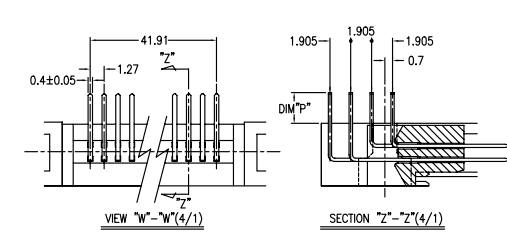
PDM: Rev:V STATUS Released Printed: Oct 12, 2010

PRODUCT NO.	92193-101FA
92193-100CA/100CALF	92193-101FAH
92193-100CAH/100CAHL	92193-102CA
92193-101CA	92193-102CAH
92193-101CAH	

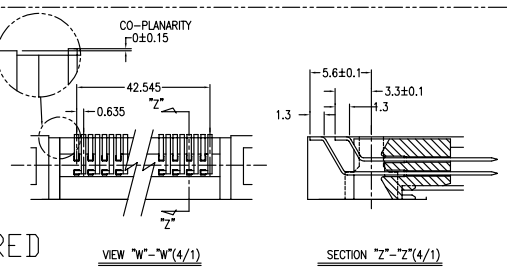
REVISED (ADDED -*****LF)				WS-0127 WS J 95/18/95			
REV	DESCRIPTION	ECN	BY	DATE	REVISIONS		
E	REVISED	J40198	M.K	7/19/94			
F	REVISED	132120	M.K	2/27/94			
G	REVISED	J40349	M.K	1/9/95			
H	REVISED	J50242	M.K	9/18/95			
J	REVISED	J70134	K.S	8/8/97			



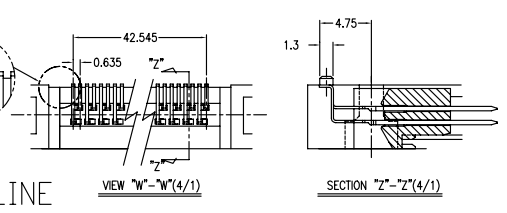
PRODUCT NO.	92193-100CA/100CALF
92193-100CAH/100CAHL	



PRODUCT NO.	92193-101CA
92193-101CAH	
92193-101FA	
92193-101FAH	



PRODUCT NO.	92193-102CA
92193-102CAH	



- NOTE
- EJECT FORCE 3.5Kg MAX.
  - ASSY PROCESS  
2.1 TO MOUNT PART ④ ON PWB WITH SCREW (S1,S2) AND SOLDER.  
2.2 TO JOINT PART ④ INTO PART ④, THEN FIX PART ④ WITH 2 SCREWS (S3,S4).
  - EJECT TRAVEL 8.0mm
- ④ MATERIAL
- PART ④ (HEADER ASSY)  
HOUSING : LCP UL94V-0  
PIN : PHOSPHOR BRONZE
  - PART ④ (EJECT MECHANISM ASSY)  
GUIDE : POLYPHTHALAMID UL94V-0 BLACK  
PUSH ROD : FLAME RETARDANT UL94V-0  
PLATE : STAINLESS  
EMI CONTACT : PHOSPHOR BRONZE  
4.3 OPTIONAL HOLD-DOWN : BRASS
- ⑤ FINISH 5.1 PIN
- UNDER PLATING : 0.5µm MIN. Ni  
CONTACT AREA : 0.1µm MIN. Au OVER 0.5µm MIN. Pd-Ni  
SOLDER TAIL : 2.5µm MIN. Sn-Pb OR 2.5µm MIN. PURE Sn.(FOR -\*\*\*\*\*LF)
- 5.2 EMI CONTACT  
UNDER PLATING : 2.0µm MIN. Ni  
CONTACT AREA : 0.5µm MIN. Au
- 5.3 OPTIONAL HOLD-DOWN : 2.5µm MIN. PURE Sn
6. PIN NO.
- | PIN No. | OTHERS | 4.25±0.1 | 3.5±0.1 | 5.0±0.1 |
|---------|--------|----------|---------|---------|
|         |        | 1/14     | 1/14    | 36/108  |
- SEE TA-946 FOR PCB LAYOUT.
  - SEE 92140 FOR DETAILED HDR DIMENSION.
  - SEE SHEET 1, 2 REGARDING COMPONENTS.
  - GENERAL TOLERANCE : ±0.3

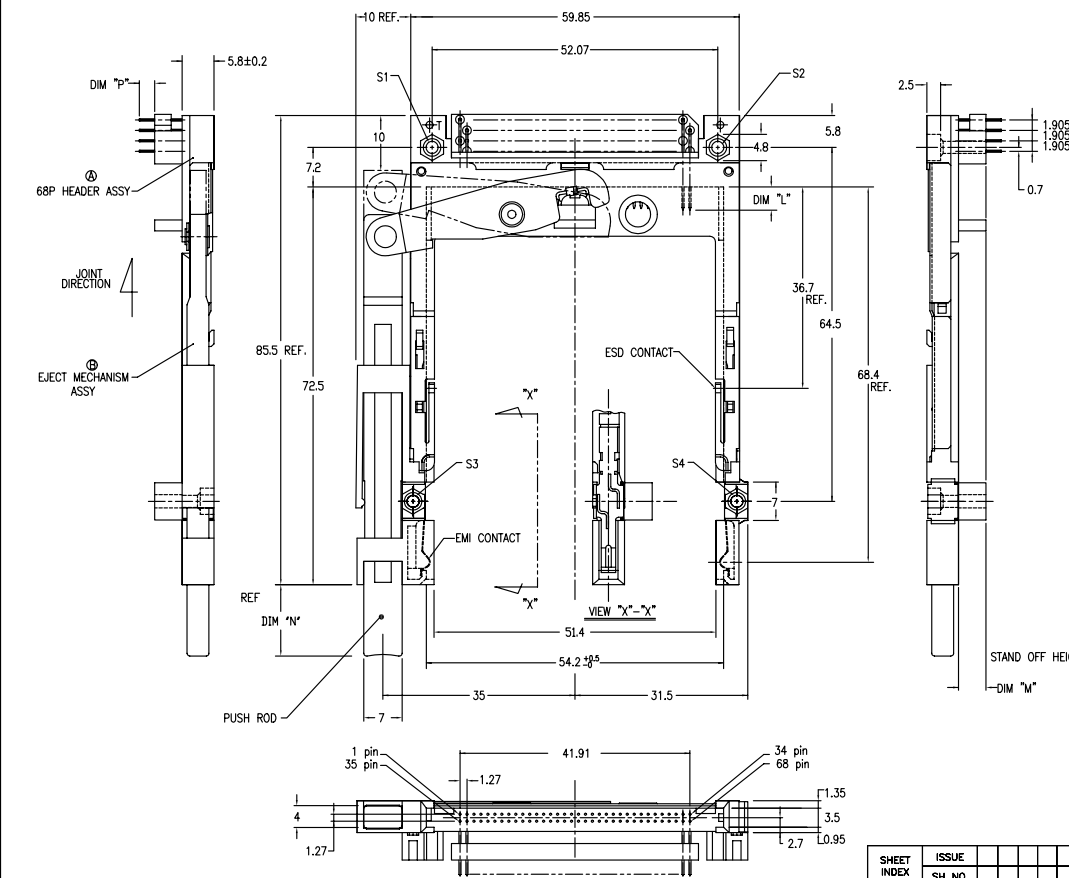
SHEET INDEX	ISSUE	DATE	CUSTOMER	TITLE
	SH NO.			68P EJECTOR HEADER ASSY FOR TYPE 1/1/1 (FOR 5.0V)
TOLERANCES UNLESS OTHERWISE SPECIFIED		MAT	DR	DATE
		SEE NOTE ④	ENGR	8/8/97
		FINISH	CHK	
		SEE NOTE ④	APPD	
LINEAR				
ANGLES				



PDM: Rev:V STATUS Released Printed: Oct 12, 2010

PRODUCT NO.
92193-120CA/120CAH/LF
92193-120FA/120FALF
92193-130CA/130CALF
92193-130CAH/130CAH/LF
92193-140CA/140CALF
92193-150CA/150CALF

REVISIONS				
REV	DESCRIPTION	ECN	BY	DATE
A	RELEASED	J33022	N.T	0/19/93
B	REVISED	J40163	M.K	5/25/94
C	REVISED	V40840	M.K	7/ 5/94
D	REVISED	V32120	M.K	12/27/94
E	REVISED	J40349	M.K	1/9/95
F	REVISED	J50242	M.K	9/18/95
G	REVISED (ADDED-130CA-130CAH)	J70134	K.S	8/8/97
H	REVISED	N80076	M.K	7/22/99
T	REVISED (ADDED -*****F)	M5-0127	MB	05/18/05
U				
V				



- NOTE
- EJECT FORCE 3.5Kg MAX.
  - ASSY PROCESS
    - TO MOUNT PART ① ON PWB WITH SCREW (S1,S2) AND SOLDER
    - TO JOINT PART ② INTO PART ①, THEN FIX PART ③ WITH 2 SCREWS (S3,S4).
  - EJECT TRAVEL 8.0mm
  - MATERIAL
    - PART ① (HEADER ASSY)
      - HOUSING : LCP UL94V-0
      - PIN : PHOSPHOR BRONZE
    - PART ② (EJECT MECHANISM ASSY)
      - GUIDE : POLYPHTHALAMID UL94V-0 BLACK
      - PUSH ROD : FLAME RETARDANT UL94V-0
      - PLATE : STAINLESS
      - EMI CONTACT : PHOSPHOR BRONZE
      - STANDOFF : ZINC ALLOYS DIE CASTING
  - FINISH
    - PIN
      - UNDER PLATING : 0.5µm MIN. Ni
      - CONTACT AREA : 0.1µm MIN. Au OVER 0.5µm MIN. Pd-Ni
      - SOLDER TAIL : 2.5µm MIN. Sn-Pb OR 2.5µm MIN. PURE Sn.(FOR -\*\*\*\*\*LF)
    - EMI CONTACT
      - UNDER PLATING : 2.0µm MIN. Ni
      - CONTACT AREA : 0.5µm MIN. Au
    - STAND OFF : 3 ~5µm Ni, OVER 5 ~10µm Cu.
  - PIN NO.
 

PIN NO.	DIM "M"	
	4.25±0.1	3.5±0.1
OTHERS	36.67	35.2/38
7. SEE TA-946 FOR PCB LAYOUT.  
 8. SEE 92140 FOR DETAILED HDR DIMENSION.  
 9. SEE SHEET.2 REGARDING COMPONENTS.  
 10. GENERAL TOLERANCE : ±0.3.

DF-003A REV. C

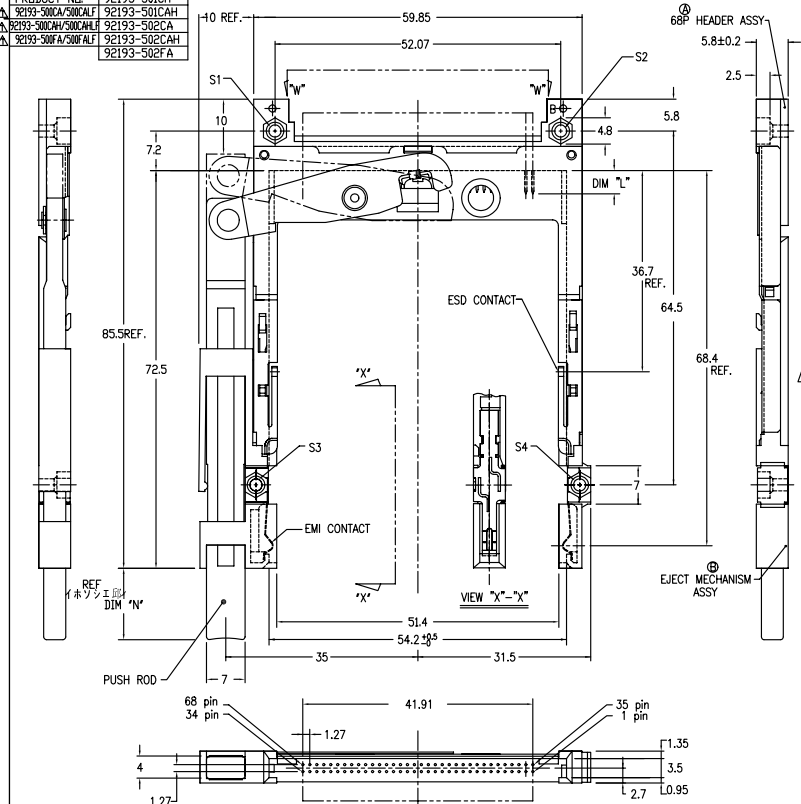
DO NOT SCALE PRINT THIS INFORMATION IS CONFIDENTIAL AND IS DISCLOSED TO YOU ON CONDITION THAT NO FURTHER DISCLOSURE IS MADE BY YOU TO OTHER THAN BIRD PERSONNEL WITHOUT WRITTEN AUTHORIZATION FROM BIRD ELECTRONICS JAPAN K.K.

SHEET INDEX	ISSUE SH. NO.	DATE	CUSTOMER COPY	TITLE
		07/12/99		68P EJECTOR HEADER ASSY FOR TYPE 1/L/ (FOR 5.0V)
LINEAR	FINISH	DATE	SCALE	SIZE DWG. NO.
		07/12/99	2/1	C 92193
ANGLES	UNIT	SCALE	REV	SHEET
			V	6 OF



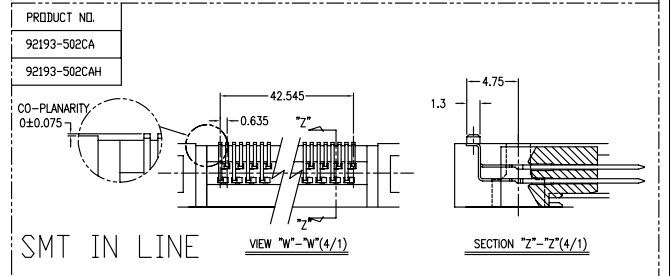
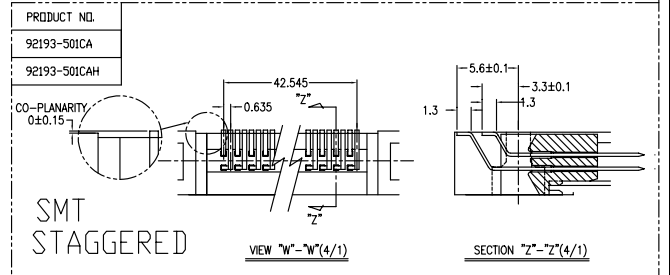
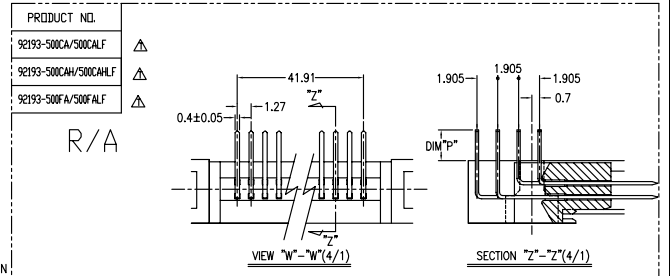
PRODUCT NO.	92193-501CA
△ 92193-500CA/500CALF	92193-501CAH
△ 92193-500CAH/500CAHLF	92193-502CA
△ 92193-500FA/500FALF	92193-502CAH
	92193-502FA

REVISIONS			
REV	DESCRIPTION	ECN	BY DATE
K	REVISED	V81595	M.K. 11/11/99
L	REVISED (ADDED -*****LF)	N65-0122	HB 1/25/18/95
M	REVISED		
N	REVISED		
O	REVISED		
P	REVISED		
Q	REVISED		
R	REVISED		
S	REVISED		
T	REVISED		
U	REVISED		
V	REVISED		



- NOTE
- EJECT FORCE 3.5kg MAX.
  - ASSY PROCESS
    - TO MOUNT PART ④ ON PWB WITH SCREW (S1,S2) AND SOLDER.
    - TO JOINT PART ④ INTO PART ④, THEN FIX PART ④ WITH 2 SCREWS (S3,S4).
    - EJECT TRAVEL 8.0mm
  - MATERIAL
    - PART ④ (HEADER ASSY)
      - HOUSING : LCP UL94V-0
      - PIN : PHOSPHOR BRONZE
    - PART ⑤ (EJECT MECHANISM ASSY)
      - GUIDE : POLYPHTHALAMID UL94V-0 BLACK
      - PUSH ROD : FLAME RETARDANT UL94V-0
      - PLATE : STAINLESS
      - EMI CONTACT : PHOSPHOR BRONZE
    - OPTIONAL HOLD-DOWN : BRASS
  - FINISH
    - PIN
      - UNDER PLATING : 0.5µm MIN. Ni
      - CONTACT AREA : 0.1µm MIN. Au OVER 0.5µm MIN. Pd-Ni
      - SOLDER TAIL : 2.5µm MIN. Sn-Pb OR 2.5µm MIN. PURE Sn (FOR -\*\*\*\*\*LF)
    - EMI CONTACT
      - UNDER PLATING : 2.0µm MIN. Ni
      - CONTACT AREA : 0.5µm MIN. Au
    - OPTIONAL HOLD-DOWN : 2.5µm MIN. PURE Sn
    - PIN NO.
 

	DIM "L"	
PIN No.	4.25±0.1	3.5±0.1
OTHERS	36.67	35.51.68
  - SEE TA-946 FOR PCB LAYOUT.
  - SEE 92140 FOR DETAILED HDR DIMENSION.
  - SEE SHEET.2 REGARDING COMPONENTS.
  - GENERAL TOLERANCE : ±0.3.

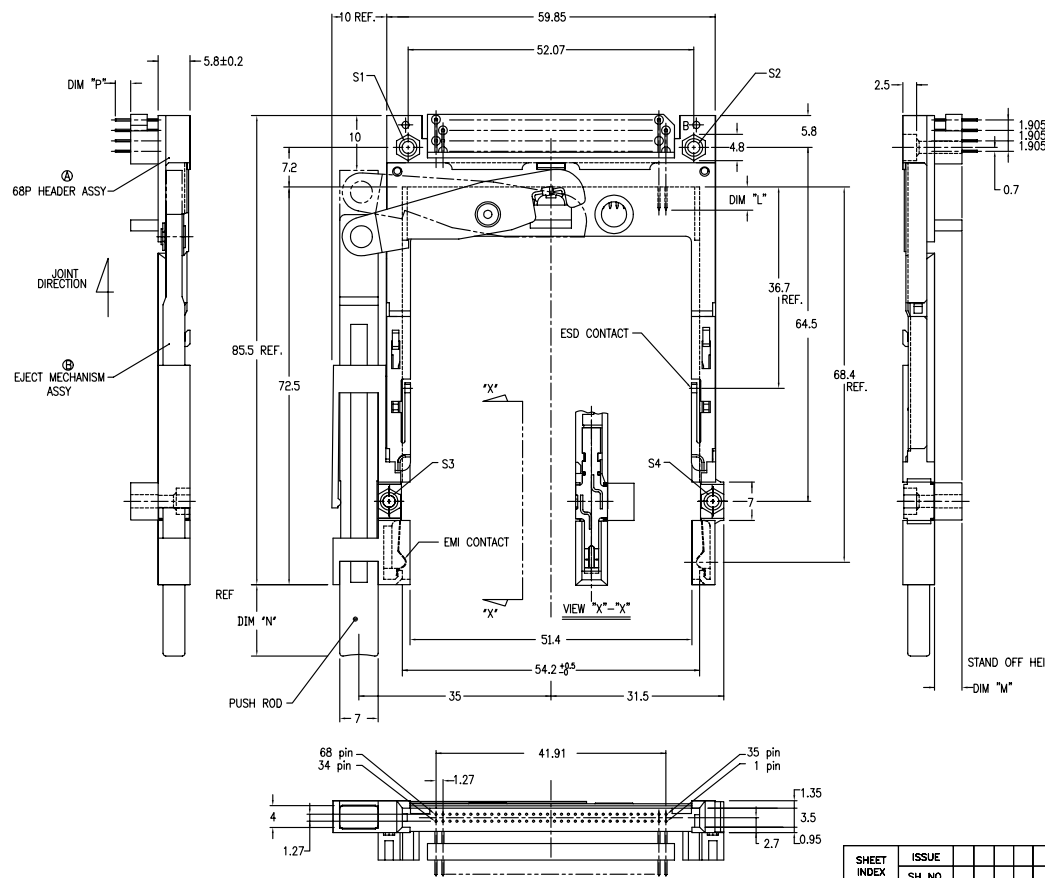


SHEET INDEX	ISSUE SH NO.	MAT	DR	CHK	APPD	DATE	CUSTOMER COPY	TITLE	SCALE	SIZE	DWG. NO.	REV	SHEET
			T. Uno	M. K. Kurai		11/11/99		68P EJECTOR HEADER ASSY FOR TYPE I/II/III (FOR 5.0V)	2/1	C	92193	V	17 OF

PDM: Rev:V STATUS Released Printed: Oct 12, 2010

PRODUCT NO.	
92193-520CA/520CALF	△
92193-540CA/540CALF	△
92193-550CA/550CALF	△

REVISIONS				
REV	DESCRIPTION	ECN	BY	DATE
A	RELEASED	J30022	N.T	01/19/93
B	REVISED	J30128	M.N	02/27/93
C	REVISED	J40163	M.K	5/26/94
D	REVISED	V40840	M.K	7/5/94
E	REVISED	V32120	M.K	12/27/94
F	REVISED	J40349	M.K	1/9/94
G	REVISED	J50242	M.K	8/18/95
T	REVISED (ADDED -*****L)	N65-0127	W6	3/25/18/95
U				
V				



NOTE

- EJECT FORCE 3.5Kg MAX.
- ASSY PROCESS
  - TO MOUNT PART ① ON PWB WITH SCREW (S1,S2) AND SOLDER.
  - TO JOINT PART ② INTO PART ③, THEN FIX PART ④ WITH 2 SCREWS (S3,S4)
- EJECT TRAVEL 8.0mm
- MATERIAL
  - PART ① (HEADER ASSY)
    - HOUSING : LCP UL94V-0
    - PIN : PHOSPHOR BRONZE
  - PART ② (EJECT MECHANISM ASSY)
    - GUIDE : POLYPHTHARAMID UL94V-0 BLACK
    - PUSH ROD : FLAME RETARDANT UL94V-0
    - PLATE : STAINLESS
    - EMI CONTACT : PHOSPHOR BRONZE
    - STANDOFF : ZINC ALLOYS DIE CASTING
- FINISH
  - PIN
    - UNDER PLATING : 0.5µm MIN. Ni
    - CONTACT AREA : 0.1µm MIN. Au OVER 0.5µm MIN. Pd-Ni
    - SOLDER TAIL : 2.5µm MIN. Sn-Pb
    - OR 2.5µm MIN. PURE Sn.(FOR -\*\*\*\*\*L)
  - EMI CONTACT
    - UNDER PLATING : 2.0µm MIN. Ni
    - CONTACT AREA : 0.5µm MIN. Au
  - STAND OFF : 3 ~5µm Ni, OVER 5 ~10µm Cu.
- PIN NO.
 

PIN No.	DIM "M"	
	4.25±0.1	5.0±0.1
OTHERS	36.67	35.5±0.08

7. SEE TA-946 FOR PCB LAYOUT.  
 8. SEE 92140 FOR DETAILED HDR DIMENSION.  
 9. SEE SHEET 1,2 REGARDING COMPONENTS.  
 10. GENERAL TOLERANCE : ±0.3.

01-0034 REV. C  
 DO NOT SCALE PRINT THIS INFORMATION IS CONFIDENTIAL AND IS DISCLOSED TO YOU ON CONDITION THAT NO FURTHER DISCLOSURE IS MADE BY YOU TO OTHER THAN BENG PERSONNEL WITHOUT WRITTEN AUTHORIZATION FROM BENG ELECTRONICS JAPAN K.K.

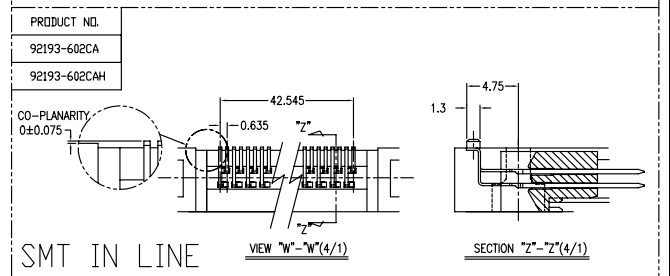
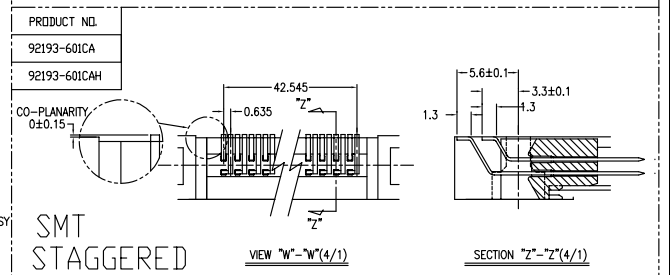
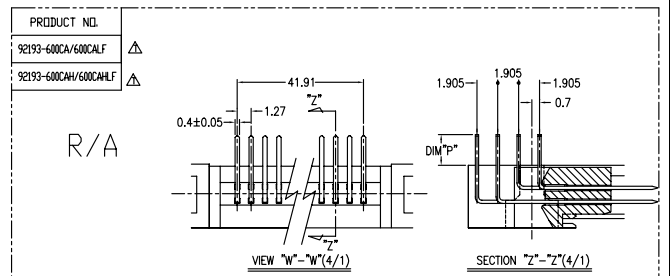
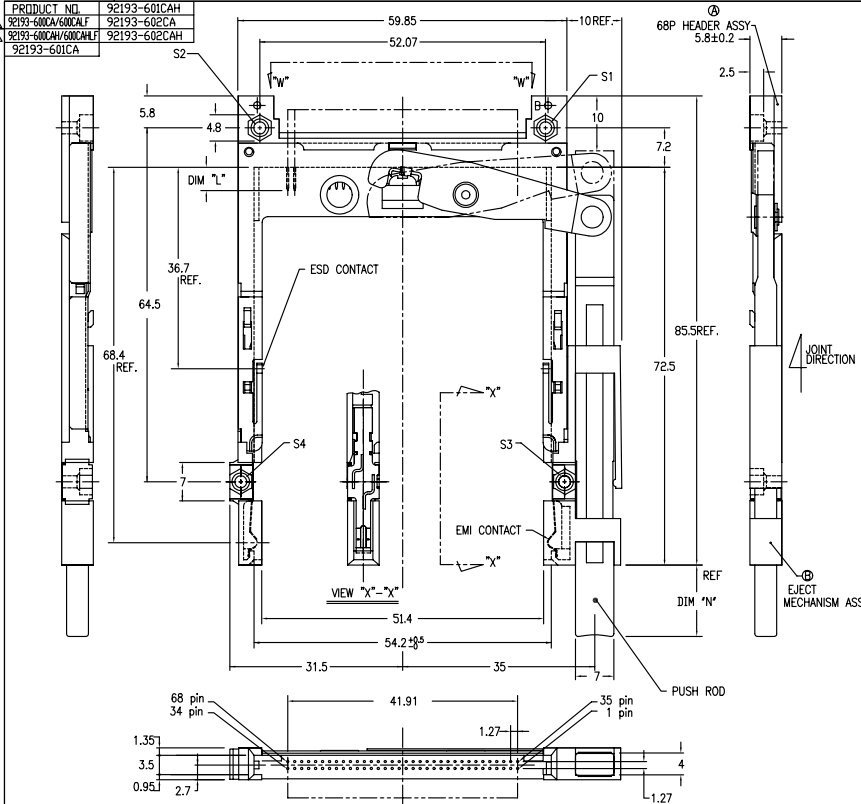
SHEET INDEX	ISSUE	DATE	CUSTOMER	TITLE
	SH NO.			68P EJECTOR HEADER ASSY FOR TYPE I/II/III (FOR 5.0V)
TOLERANCES UNLESS OTHERWISE SPECIFIED	MAT	DR	DATE	CUSTOMER COPY
		T. Imaeda	9/19/95	
LINEAR	FINISH	CHK	DATE	SCALE
		M. K. Iwata	9/19/95	2/1
ANGLES	SEE NOTE ①	APPD		UNIT
				mm
				SCALE
				2/1
				C
				DWG. NO.
				92193
				REV SHEET
				V 8 of

PDM: Rev:V STATUS:Released Printed: Oct 12, 2010



PRODUCT NO.	92193-601CAH
92193-600CA/600CALF	92193-602CA
92193-600WH/600CHLF	92193-602CAH
92193-601CA	

REVISED (ADDED -*****LF) WS-0127/WS J05/18/95				REVISIONS			
REV	DESCRIPTION	ECN	BY	DATE			
D	REVISED	140340	M.K.I	5/94			
E	REVISED	V32120	M.K.I	2/27/94			
F	REVISED	140349	M.K.I	9/95			
G	REVISED	J50242	M.K.I	9/95			
H	REVISED	J70134	K.S	8/97			



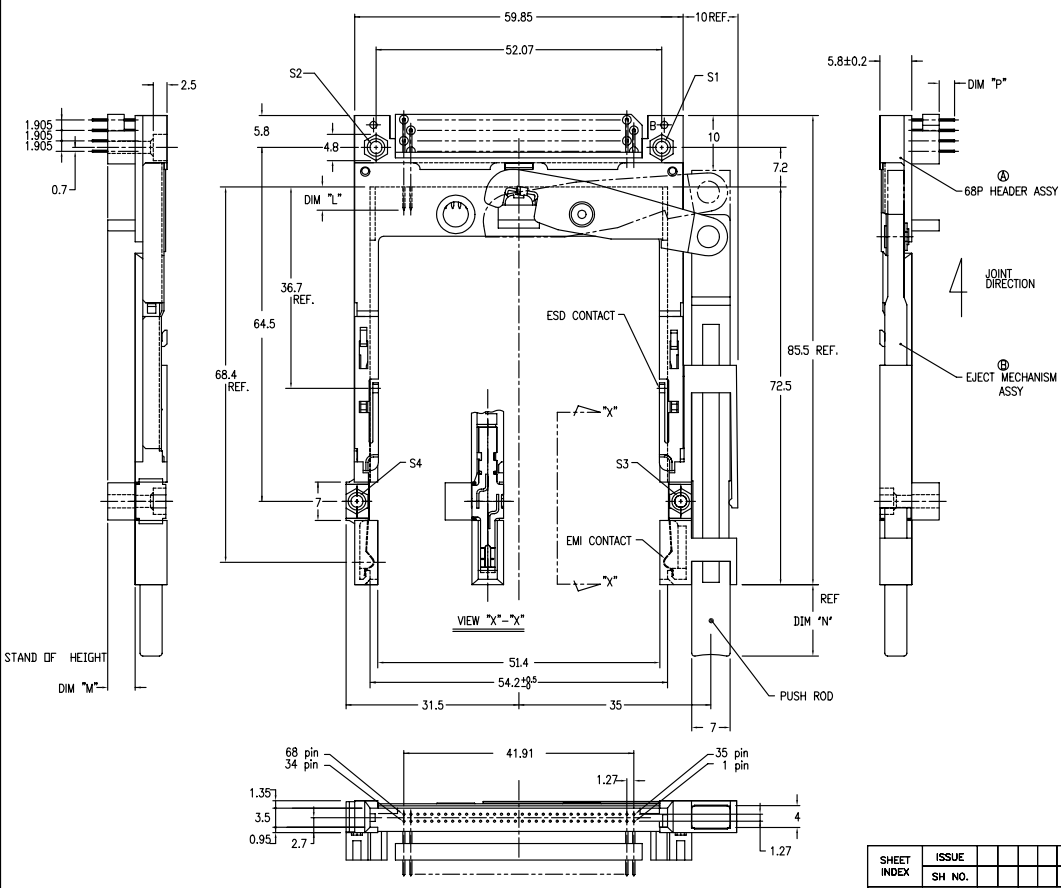
- NOTE
- EJECT FORCE 3.5Kg MAX.
  - ASSY PROCESS  
2.1 TO MOUNT PART ④ ON PWB WITH SCREW (S1,S2) AND SOLDER.  
2.2 TO JOINT PART ④ INTO PART ④, THEN FIX PART ④ WITH 2 SCREWS (S3,S4).
  - EJECT TRAVEL 8.0mm
- ④ MATERIAL
- PART ④ (HEADER ASSY)  
HOUSING : LCP UL94V-0  
PIN : PHOSPHOR BRONZE
  - PART ④ (EJECT MECHANISM ASSY)  
GUIDE : POLYPHTHAMID UL94V-0 BLACK  
PUSH ROD : FLAME RETARDANT UL94V-0  
PLATE : STAINLESS  
EMI CONTACT : PHOSPHOR BRONZE
  - OPTIONAL HOLD-DOWN : BRASS
- ⑤ FINISH
- PIN  
UNDER PLATING : 0.5µm MIN. Ni  
CONTACT AREA : 0.1µm MIN. Au OVER 0.5µm MIN. Pd-Ni  
SOLDER TAIL : 2.5µm MIN. Sn-Pb  
OR 2.5µm MIN. PURE Sn, (FOR -\*\*\*\*\*LF)
  - EMI CONTACT  
UNDER PLATING : 2.0µm MIN. Ni  
CONTACT AREA : 0.5µm MIN. Au
  - OPTIONAL HOLD-DOWN : 2.5µm MIN. PURE Sn
6. PIN NO.
- | PIN NO. | DIM "L"  |         |            |
|---------|----------|---------|------------|
|         | 4.25±0.1 | 3.5±0.1 | 5.0±0.1    |
| OTHERS  | 36.67    | 17.94   | 35.61±0.08 |
- SEE TA-946 FOR PCB LAYOUT.
  - SEE 92140 FOR DETAILED HDR DIMENSION.
  - SEE SHEET 1.2 REGARDING COMPONENTS.
  - GENERAL TOLERANCE : ±0.3

SHEET INDEX	ISSUE	DATE	CUSTOMER	TITLE
				88P EJECTOR HEADER ASSY FOR TYPE I/II/III (FOR 5.0V)
				SCALE: SIZE DWG. NO. 92193
				REV SHEET 9 OF 9

PDM: Rev:V STATUS: Released Printed: Oct 12, 2010

PRODUCT NO.  
 Δ 92193-620CA/620CALF  
 Δ 92193-640CA/640CALF  
 Δ 92193-650CA/650CALF

REVISIONS				
REV	DESCRIPTION	ECN	BY	DATE
A	RELEASED	J33022	N.T	01/19/93
B	REVISED	J40163	M.K	5/28/94
C	REVISED	V40840	M.K	7/ 5/94
D	REVISED	V32120	M.K	12/21/94
E	REVISED	J40349	M.K	1/16/95
F	REVISED	J50242	M.K	9/18/95
T	REVISED (ADDED -*****LF)	M5-0127	MB	05/18/95
U				
V				



NOTE  
 1. EJECT FORCE 3.5kg MAX.  
 2. ASSY PROCESS  
 2.1 TO MOUNT PART ② ON PWB WITH SCREW (S1,S2) AND SOLDER  
 2.2 TO JOINT PART ③ INTO PART ②, THEN FIX PART ② WITH 2 SCREWS (S3,S4).  
 3. EJECT TRAVEL 8.0mm  
 ④ MATERIAL  
 ④.1 PART ② (HEADER ASSY)  
 HOUSING : LCP UL94V-0  
 PIN : PHOSPHOR BRONZE  
 ④.2 PART ③ (EJECT MECHANISM ASSY)  
 GUIDE : POLYPHTHARAMID UL94V-0 BLACK  
 PUSH ROD : FLAME RETARDANT UL94V-0  
 PLATE : STAINLESS  
 EMI CONTACT : PHOSPHOR BRONZE  
 STANDOFF : ZINC ALLOYS DIE CASTING  
 ⑤ FINISH  
 5.1 PIN  
 UNDER PLATING : 0.5μm MIN. Ni  
 CONTACT AREA : 0.1μm MIN. Au OVER 0.5μm MIN. Pd-Ni  
 SOLDER TAIL : 2.5μm MIN. Sn-Pb  
 OR 2.5μm MIN. PURE Sn.(FOR -\*\*\*\*\*LF)  
 5.2 EMI CONTACT  
 UNDER PLATING : 2.0μm MIN. Ni  
 CONTACT AREA : 0.5μm MIN. Au  
 5.3 STAND OFF : 3 ~5μm MIN. OVER 5 ~10μm Cu.  
 6. PIN NO.  

	DIM 'L'	DIM 'N'
4.25±0.1	3.5±0.1	5.0±0.1
PIN No.	36.67	33.5±0.08

 7. SEE TA-946 FOR PCB LAYOUT.  
 8. SEE 92140 FOR DETAILED HDR DIMENSION.  
 9. SEE SHEET1,2 REGARDING COMPONENTS.  
 10. GENERAL TOLERANCE : ±0.3

DF-003A REV. C  
 DO NOT SCALE PRINT THIS INFORMATION IS CONFIDENTIAL AND IS DISCLOSED TO YOU ON CONDITION THAT NO FURTHER DISCLOSURE IS MADE BY YOU TO OTHER THAN BENG PERSONNEL WITHOUT WRITTEN AUTHORIZATION FROM BENG ELECTRONICS JAPAN K.K.

SHEET INDEX	ISSUE	SH NO.	DATE	CUSTOMER	TITLE
					68P EJECTOR HEADER ASSY FOR TYPE 1/L/II (FOR 5.0V)
LINEAR	FINISH	SEE NOTE ④	DR T. Imai ta 9/19/95	COPY	SCALE 2/1
		SEE NOTE ④	CHK M. Ka. Iw. a 9/18/95	UNIT	SIZE DWG. NO. 92193
			APPD	REV SHEET	V 10 of 10



PDM: Rev:V STATUS Released Printed: Oct 12, 2010