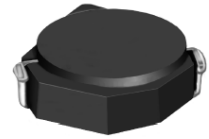
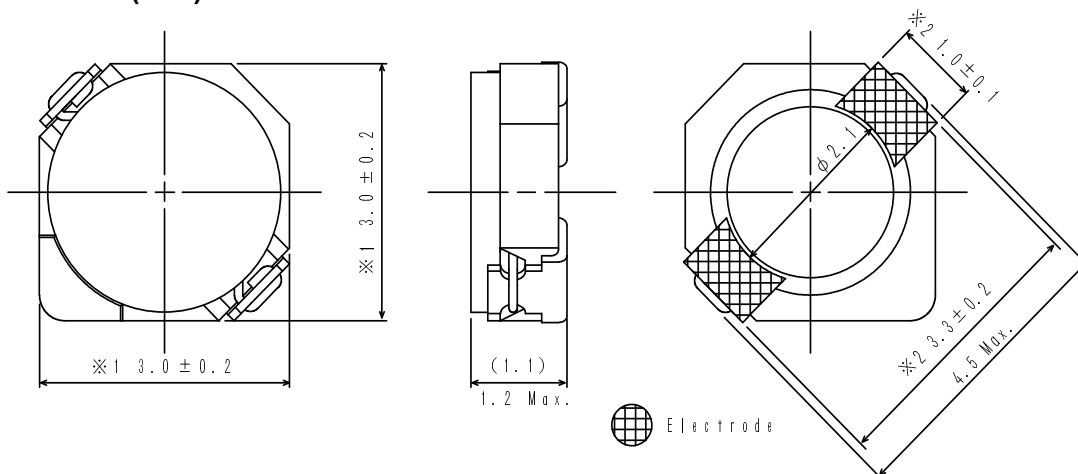


**Type: CDRH2D11, CDRH2D11/HP, CDRH2D11B**
**◆ Product Description**

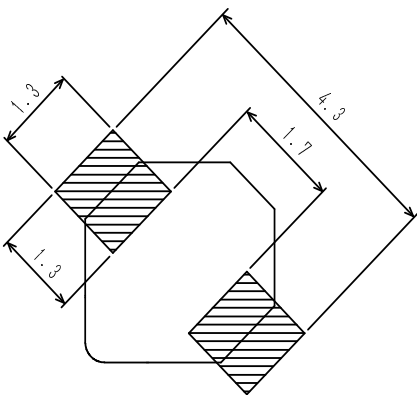
- 3.2×3.2mm Max.(L×W), 1.2mm Max. Height.
- Inductance Range: 1.5~10 μ H (CDRH2D11/ CDRH2D11/HP);  
1.0~22 μ H (CDRH2D11B).
- Rated current range: 0.35~0.90A (CDRH2D11) ; 0.52~1.35A (CDRH2D11/HP);  
0.35~1.5A (CDRH2D11B).
- Custom design is available.


**◆ Feature**

- Magnetically shielded construction.
- Ideally used in Mobilephone, PDA, MP3, DSC/DVC, Portable DVD, etc as DC-DC Converter.
- RoHS Compliance and Halogen free.

**◆ Dimensions (mm)**


※ 1 Not including terminal dimension

**◆ Land Pattern (mm)**


Please refer to the sales offices on our website for a representative near you

[www.sumida.com](http://www.sumida.com)

**Type: CDRH2D11, CDRH2D11/HP, CDRH2D11B**
**◆ Specification(CDRH2D11)**

| Part Name<br>※   | Stamp | Inductance<br>( $\mu$ H)<br>100kHz/1V | D.C.R. (m $\Omega$ )<br>Max.(Typ.)<br>(at 20°C) | Saturation Current<br>(A) ※1 |          | Temperature<br>Rise Current<br>(A) ※2 |
|------------------|-------|---------------------------------------|---|------------------------------|----------|---------------------------------------|
|                  |       |                                       |   | at 20°C                      | at 100°C |                                       |
| CDRH2D11NP-1R5N□ | A     | 1.5 $\pm$ 30%                         | 68(54)  | 0.90                         | 0.68     | 1.48                                  |
| CDRH2D11NP-2R2N□ | C     | 2.2 $\pm$ 30%                         | 98(78)  | 0.78                         | 0.58     | 1.27                                  |
| CDRH2D11NP-3R3N□ | E     | 3.3 $\pm$ 30%                         | 123(98)   | 0.60                         | 0.45     | 1.02                                  |
| CDRH2D11NP-4R7N□ | G     | 4.7 $\pm$ 30%                         | 170(135)  | 0.50                         | 0.37     | 0.88                                  |
| CDRH2D11NP-6R8N□ | I     | 6.8 $\pm$ 30%                         | 260(210)  | 0.44                         | 0.33     | 0.80                                  |
| CDRH2D11NP-100N□ | K     | 10.0 $\pm$ 30%                        | 400(320)  | 0.35                         | 0.26     | 0.65                                  |

**◆ Specification (CDRH2D11/HP)**

| Part Name<br>※      | Stamp | Inductance<br>( $\mu$ H)<br>100kHz/1V | D.C.R. (m $\Omega$ )<br>Max.(Typ.)<br>(at 20°C) | Saturation Current<br>(A) ※1 |          | Temperature<br>Rise Current<br>(A) ※2 |
|---------------------|-------|---------------------------------------|---|------------------------------|----------|---------------------------------------|
|                     |       |                                       |   | at 20°C                      | at 100°C |                                       |
| CDRH2D11/HPNP-1R5N□ | A     | 1.5 $\pm$ 30%                         | 80(64)  | 1.35                         | 1.0      | 1.60                                  |
| CDRH2D11/HPNP-2R2N□ | C     | 2.2 $\pm$ 30%                         | 120(96)   | 1.10                         | 0.72     | 1.30                                  |
| CDRH2D11/HPNP-3R3N□ | E     | 3.3 $\pm$ 30%                         | 173(138)  | 0.90                         | 0.65     | 0.90                                  |
| CDRH2D11/HPNP-4R7N□ | G     | 4.7 $\pm$ 30%                         | 238(190)  | 0.75                         | 0.52     | 0.85                                  |
| CDRH2D11/HPNP-6R8N□ | I     | 6.8 $\pm$ 30%                         | 371(297)  | 0.63                         | 0.45     | 0.65                                  |
| CDRH2D11/HPNP-100N□ | K     | 10.0 $\pm$ 30%                        | 559(447)  | 0.52                         | 0.37     | 0.52                                  |

**Type: CDRH2D11, CDRH2D11/HP, CDRH2D11B**
**◆ Specification (CDRH2D11B)**

| Part Name<br>※    | Stamp | Inductance<br>( $\mu$ H)<br>100kHz/1V | D.C.R. (m $\Omega$ )<br>Max.(Typ.)<br>(at 20°C) | Saturation Current<br>(A)※1 |          | Temperature<br>Rise Current<br>(A)※2 |
|-------------------|-------|---------------------------------------|---|-----------------------------|----------|--------------------------------------|
|                   |       |                                       |   | at 20°C                     | at 100°C |                                      |
| CDRH2D11BNP-1R0N□ | A     | 1.0±25%                               | 62.6(50.1)                                      | 1.50                        | 1.25     | 1.70                                 |
| CDRH2D11BNP-1R5N□ | B     | 1.5±25%                               | 84.3(67.4)                                      | 1.25                        | 1.05     | 1.45                                 |
| CDRH2D11BNP-2R2N□ | C     | 2.2±25%                               | 95.5(76.4)                                      | 1.10                        | 0.9      | 1.40                                 |
| CDRH2D11BNP-2R7N□ | D     | 2.7±25%                               | 120(95.6)                                       | 0.92                        | 0.75     | 1.20                                 |
| CDRH2D11BNP-3R3N□ | E     | 3.3±25%                               | 154(123)  | 0.88                        | 0.70     | 1.00                                 |
| CDRH2D11BNP-4R7N□ | F     | 4.7±25%                               | 248(198)  | 0.70                        | 0.56     | 0.80                                 |
| CDRH2D11BNP-5R6N□ | G     | 5.6±25%                               | 264(211)  | 0.65                        | 0.54     | 0.75                                 |
| CDRH2D11BNP-6R8N□ | H     | 6.8±25%                               | 284(227)  | 0.60                        | 0.50     | 0.72                                 |
| CDRH2D11BNP-8R2N□ | I     | 8.2±25%                               | 376(301)  | 0.52                        | 0.44     | 0.60                                 |
| CDRH2D11BNP-100N□ | J     | 10.0±25%                              | 428(342)  | 0.48                        | 0.40     | 0.58                                 |
| CDRH2D11BNP-150N□ | K     | 15.0±25%                              | 663(530)  | 0.40                        | 0.33     | 0.46                                 |
| CDRH2D11BNP-180N□ | L     | 18.0±25%                              | 730(584)  | 0.36                        | 0.30     | 0.43                                 |
| CDRH2D11BNP-220N□ | M     | 22.0±25%                              | 801(641)  | 0.35                        | 0.26     | 0.42                                 |

**※ Description of part name**

CDRH2D11BNP-1R0N□

- B Box
- C Carrier Tape

※1.Saturation Current: The DC current at which the inductance decreases to 65% of it's nominal value.

 ※2.Temperature rise current: The DC current at which the temperature rise is  $\Delta t=40^{\circ}\text{C}$ .( $T_a=20^{\circ}\text{C}$ ).