

DIRECTIONAL COUPLER

For RF Applications in Amplifiers and Signal Monitor Points



- ⊕ Value-oriented construction
- ⊕ Various operating bandwidths
- ⊕ 235°C peak IR reflow temperature rating
- ⊕ Low cost

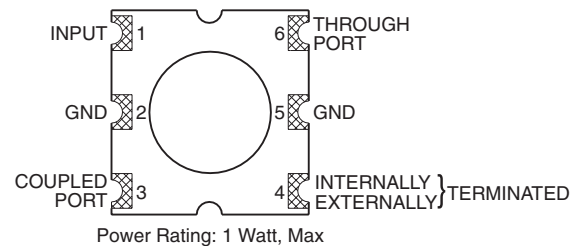
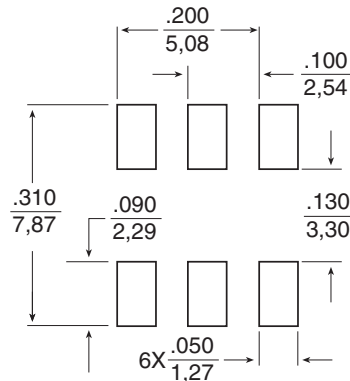
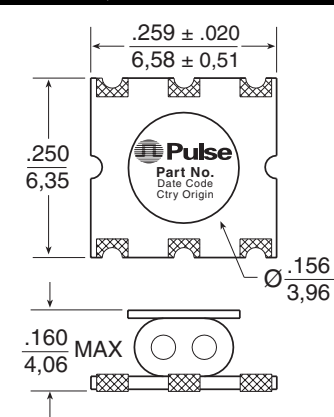
Electrical Specifications @ 25°C

Part Number	Frequency (MHz)	Z (Ω)	Coupling		Mainline Loss		Isolation (dB MIN)	Return Loss		Termination (Pin 4 to GND)
			Nom. (dB)	Flatness (dB MAX)	TYP (dB)	MAX (dB)		TYP (dB)	MIN (dB)	
CX3039	5 - 1000	75	19.7 ±0.5	±0.6	0.5	1.3	18	30	20	Internal
CX3042	5 - 1000	75	6.0 ±0.75	±0.5	1.76	2.8	18	24	14	Internal
C3108	5 - 900	75	7.5 ±0.5	±0.8	1.6	2.5	18	16	12	Internal
CX3110	5 - 1000	75	10 ±0.5	±0.5	1.4	1.5	18	24	12.7	Internal

X: Extended Temperature (-45°C to +85°C)

Mechanical

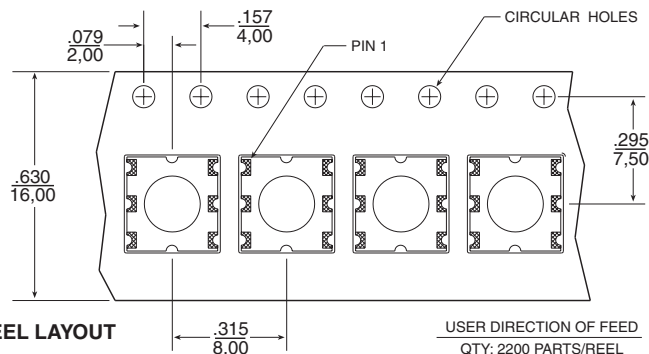
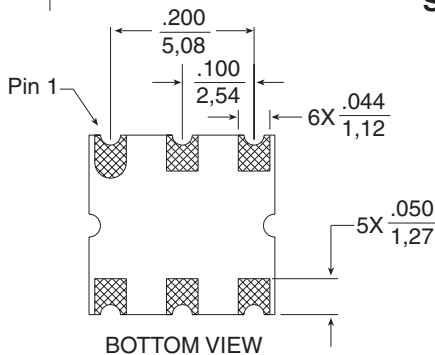
CX3039/42, C3108 & CX3110



Weight035 grams
Tape & Reel2200/reel

Dimensions: $\frac{\text{Inches}}{\text{mm}}$
Unless otherwise specified, all tolerances are $\pm \frac{.005}{0,13}$

SUGGESTED PAD LAYOUT



For More Information :

UNITED STATES (Worldwide)

12220 World Trade Drive
San Diego, CA 92128
U.S.A.
http://www.pulseeng.com
TEL: 858 674 8100
FAX: 858 674 8262

UNITED KINGDOM (Northern Europe)

3 Huxley Road
Surrey Research Park
Guildford, Surrey GU2 5RE
United Kingdom
TEL: 44 1483 401700
FAX: 44 1483 401701

FRANCE (Southern Europe)

Zone Industrielle
F-39270
Orgelet
France
TEL: 33 3 84 35 04 04
FAX: 33 3 84 25 46 41

SINGAPORE (Southern Asia)

150 Kampong Ampat
#07-01/02
KA Centre
Singapore 368324
TEL: 65 6287 8998
FAX: 65 6280 0080

TAIWAN, R.O.C. (Northern Asia)

3F-4, No. 81, Sec. 1
HsinTai Wu Road
Hsi-Chih, Taipei Hsien
Taiwan, R.O.C.
Tel: 886 2 2698 0228
FAX: 886 2 2698 0948

HONG KONG (China/Hong Kong)

9/F, Phase 2, Tai Sang
Shatin Warehouse Centre
6 Wong Chuk Yeung Street
Fotan, Shatin, Hong Kong
TEL: 852 2788 6588
FAX: 852 2776 1055

DISTRIBUTOR

Performance warranty of products offered on this data sheet is limited to the parameters specified. Data is subject to change without notice. Other brand and product names mentioned herein may be trademarks or registered trademarks of their respective owners.

©2004, Pulse Engineering, Inc. All Rights Reserved.

C243.B (10/04)