



RESISTANCE WELD THRU-HOLE CRYSTAL MODEL: HC80U

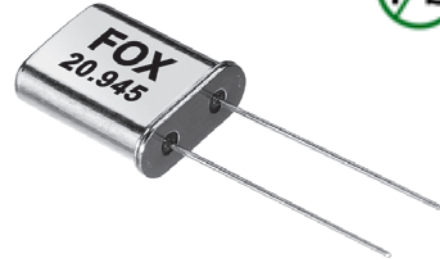


FEATURES

- High Frequency Range
- Fundamental to 50 MHz
- Resistance Weld

OPTIONS

- Tolerances to < 5 PPM
- Stabilities to < 3 PPM
- Temperatures to -40°C ~ -85°C
- SMD Gullwing (HC80UW)



Quote it!

• PART NUMBER Learn More - Internet Required		
Part Number	Model Number	Frequency Range (MHz)
282-Frequency-xxxxx	HC80U	3.579545 ~ 200.000

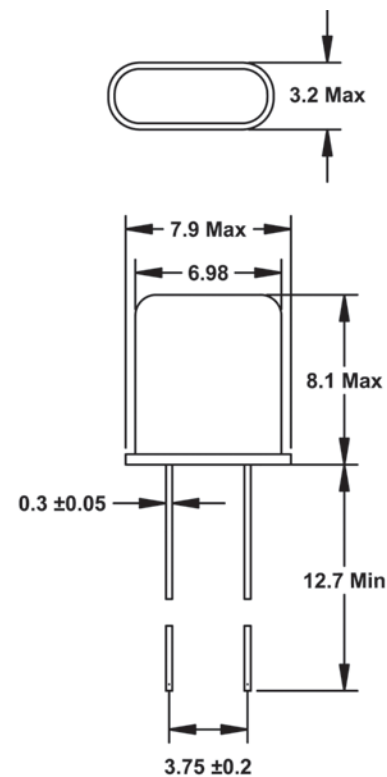
Learn more about:
[Part Marking Identification](#)

Internet required

• STANDARD SPECIFICATIONS ¹	
PARAMETERS	MAX (unless otherwise noted)
Frequency Range	3.579545 ~ 200.000 MHz
Frequency Tolerance @ 25°C	±30 PPM
Frequency Stability, ref @ 25°C Over Operating Temp Range	±50 PPM
Temperature Range	
Operating (TOPR)	-20°C ~ +70°C
Storage (TSTG)	-40°C ~ +85°C
Shunt Capacitance (Co)	7.0 pF
Load Capacitance (CL)	10 pF ~ Series (Customer Specified)
Drive Level	1.0 mW
Aging per year	±3 PPM

¹ Other tolerances, stabilities & operating temperature ranges available. Consult Fox Customer Service for specific requirements.

All specifications subject to change without notice. Rev. 6/1/04



All dimensions are in millimeters.

Frequency Range (MHz)	Operating Mode	Max ESR Ω
3.579545 ~ 4.000	Fundamental	300
4.000+ ~ 5.000	Fundamental	250
5.000+ ~ 6.000	Fundamental	180
6.000+ ~ 7.000	Fundamental	120
7.000+ ~ 8.000	Fundamental	100
8.000+ ~ 10.000	Fundamental	90
10.000+ ~ 11.000	Fundamental	60
11.000+ ~ 50.000	Fundamental	40
25.000 ~ 65.000	3rd OT	60
60.000 ~ 130.000	5th OT	100
130.000+ ~ 200.000	7th OT	150