

SLIC-E / TSLIC-E

Subscriber Line Interface Circuit Enhanced Feature Set

SLIC-E (PEF 4265), Version 2.1

SLIC-E2 (PEF 4265-2), Version 2.1

TSLIC-E (PEF 4365), Version 2.1

Preliminary
Data Sheet

Revision 2.0

Communication Solutions



Never stop thinking

Edition 2006-10-10

**Published by
Infineon Technologies AG
81726 München, Germany**

**© Infineon Technologies AG 2006.
All Rights Reserved.**

Legal Disclaimer

The information given in this document shall in no event be regarded as a guarantee of conditions or characteristics ("Beschaffheitsgarantie"). With respect to any examples or hints given herein, any typical values stated herein and/or any information regarding the application of the device, Infineon Technologies hereby disclaims any and all warranties and liabilities of any kind, including without limitation warranties of non-infringement of intellectual property rights of any third party.

Information

For further information on technology, delivery terms and conditions and prices please contact your nearest Infineon Technologies Office (www.infineon.com).

Warnings

Due to technical requirements components may contain dangerous substances. For information on the types in question please contact your nearest Infineon Technologies Office.

Infineon Technologies Components may only be used in life-support devices or systems with the express written approval of Infineon Technologies, if a failure of such components can reasonably be expected to cause the failure of that life-support device or system, or to affect the safety or effectiveness of that device or system. Life support devices or systems are intended to be implanted in the human body, or to support and/or maintain and sustain and/or protect human life. If they fail, it is reasonable to assume that the health of the user or other persons may be endangered.

SLIC-E / TSLIC-E Subscriber Line Interface Circuit Enhanced Feature Set

Revision History: 2006-10-10, Revision 2.0

Previous Version: Revision 1.0

Page	Subjects (major changes since last revision)
all	Package P-/PG-VQFN-48-4 changed to PG-VQFN-48-15
all	Package P-/PG-DSO-20-24 changed to PG-DSO-20-24
all	Package P-/PG-DSO-36-10 changed to PG-DSO-36-15
Page 36	"Recommended PCB Foot Print Pattern for PG-VQFN-48-15 Package" on Page 36 modified.

Trademarks

ABM[®], ACE[®], AOP[®], Arcofi[®], ASM[®], ASP[®], BlueMoon[®], BlueNIX[®], C166[®], DuSLIC[®], ELIC[®], Epic[®], FALC[®], GEMINAX[®], Idec[®], INCA[®], IOM[®], Ipat[®]-2, IPVD[®], Isac[®], Itac[®], IWE[®], IWORX[®], M-GOLD[®], MUSAC[®], MuSLIC[®], OCTALFALC[®], OCTAT[®], POTSWIRE[®], QUADFALC[®], QUAT[®], SCOUT[®], SCT[®], SEROCCO[®], S-GOLD[®], SICAT[®], SICOFI[®], SIDEC[®], SIEGET[®], SLICOFI[®], SMARTI[®], SOCRATES[®], VDSLite[®], VINETIC[®], 10BaseS[®] are registered trademarks of Infineon Technologies AG.

ConverGate[™], DIGITAPE[™], DUALFALC[™], EasyPort[™], S-GOLDlite[™], S-GOLD2[™], S-GOLD3[™], VINAX[™], WildPass[™], 10BaseV[™], 10BaseVX[™] are trademarks of Infineon Technologies AG.

Microsoft[®] and Visio[®] are registered trademarks of Microsoft Corporation. Linux[®] is a registered trademark of Linus Torvalds. FrameMaker[®] is a registered trademark of Adobe Systems Incorporated. APOXI[®] is a registered trademark of Comneon GmbH & Co. OHG. PrimeCell[®], RealView[®], ARM[®] are registered trademarks of ARM Limited. OakDSPCore[®], TeakLite[®] DSP Core, OCEM[®] are registered trademarks of ParthusCeva Inc.

IndoorGPS[™], GL-20000[™], GL-LN-22[™] are trademarks of Global Locate. ARM926EJ-S[™], ADS[™], Multi-ICE[™] are trademarks of ARM Limited.

Table of Contents

	Table of Contents	4
	List of Figures	5
	List of Tables	6
1	General Description	7
1.1	Version 2.1: Summary of Changes	7
1.2	Features	8
1.3	Logic Symbol	9
1.4	Pin Configuration	10
1.5	Pin Definitions and Functions	12
1.6	Functional Block Diagram	14
2	Functional Description	15
2.1	Operating Modes	16
2.2	Current Limitation / Overtemperature Protection	17
3	Typical Application Circuit for DuSLIC® and VINETIC®	18
4	Electrical Characteristics	21
4.1	Absolute Maximum Ratings	21
4.2	Foreign Line Voltages	21
4.3	Operating Range	22
4.4	Thermal Resistances	22
4.5	Electrical Parameters	23
4.5.1	Supply Currents and Power Dissipation	23
4.5.2	DC Characteristics	25
4.5.3	AC Characteristics	27
4.5.3.1	Frequency Dependence of PSRR	29
5	Test Figures	31
6	Package Outlines	35
6.1	PG-DSO-20-24 Package	35
6.2	PG-VQFN-48-15 Package	36
6.2.1	Recommended PCB Foot Print Pattern for PG-VQFN-48-15 Package	36
6.3	PG-DSO-36-15 Package	37
6.3.1	Recommended PCB Foot Print Pattern for PG-DSO-36-15 Package	38
	References	39

List of Figures

Figure 1	Logic Symbol PEF 4265	9
Figure 2	Logic Symbol PEF 4365	9
Figure 3	Pin Configuration PG-DSO-20-24 Package (top view)	10
Figure 4	Pin Configuration PG-VQFN-48-15 Package (top view)	10
Figure 5	Pin Configuration PG-DSO-36-15 Package (dual channel)	11
Figure 6	Block Diagram	14
Figure 7	Transversal and Longitudinal Line Currents	15
Figure 8	Application Circuit DuSLIC®	19
Figure 9	Application Circuit VINETIC®	20
Figure 10	Typical Buffer Voltage Drop in Operating Modes ACTL, ACTH, ACTR	27
Figure 11	Typical Frequency Dependence of PSRR VBATH/VTR	29
Figure 12	Typical Frequency Dependence of PSRR VBATH/VTR	29
Figure 13	Typical Frequency Dependence of PSRR VHR/VTR	30
Figure 14	Typical Frequency Dependence of PSRR VDD/VTR	30
Figure 15	Output Current Limit	31
Figure 16	Output Resistance PDRH, PDRHL	31
Figure 17	Current Outputs IT, IL	32
Figure 18	Transmission Characteristics	32
Figure 19	Longitudinal to Transversal Rejection	33
Figure 20	Longitudinal to Transversal Rejection Loop	33
Figure 21	Transversal to Longitudinal Rejection	34
Figure 22	Ring Amplitude	34
Figure 23	Package Outline for PG-DSO-20-24 (Plastic Green Dual Small Outline)	35
Figure 24	Package Outline for PG-VQFN-48-15 (Plastic Green Very thin Profile Quad Flatpack No-lead)	36
Figure 25	Package Outline for PG-DSO-36-15 (Plastic Green Dual Small Outline)	37
Figure 26	Footprint for PG-DSO-36-15	38

List of Tables

Table 1	Pin Definitions and Functions PG-DSO-20-24 and PG-VQFN-48-15	12
Table 2	Pin Definitions and Functions PG-DSO-36-15	13
Table 3	SLIC-E Mode Table	16
Table 4	SLIC-E Modes and Supplies	16
Table 5	External Components DuSLIC [®] / VINETIC [®] for 2 Channels	18
Table 6	Absolute Maximum Ratings	21
Table 7	Voltage Limits on Output Pins	21
Table 8	Current Limits on Output Pins	22
Table 9	Operating Range	22
Table 10	Thermal Resistances	22
Table 11	Supply Currents, Power Dissipation ($I_R = I_T = 0$; $V_{TR} = 0$; one channel)	23
Table 12	Output Stage Power Dissipation	24
Table 13	DC Characteristics ($V_{ACP} = V_{ACN} = 1.5$ V)	25
Table 14	AC Characteristics	27

1 General Description

Infineon Technologies' new high voltage ringing Subscriber Line Interface Circuit SLIC-E (PEF 4265 **V2.1**) is the latest out of the well-known and broadly used SLIC-E family. It has been designed not only to cover all previous SLIC-E applications, but also for particular "ADSL friendliness" and thus enables the realization of highly cost optimized integrated voice data (IVD) systems. Special effort has been put on minimizing the influence of line voltage transients and distortions caused by mode transitions and the associated unavoidable impedance changes.

As SLIC-E V2.1 is pin compatible with its previous versions, it can be operated with all codec devices of the DuSLIC® or VINETIC® chip sets. The highly flexible device offers 3.3 V compatibility and integrated balanced ringing up to 85 V_{rms}. Integrated supply switches allow the choice between two negative battery voltages for voice transmission, whereas in the ring mode an additional positive supply voltage is used.

To minimize the average system power dissipation, a power-down mode can be utilized; the transmission part is switched off completely and off-hook supervision is provided by activating a simple line current sensor with negligible power consumption.

SLIC-E V2.1 is available in a single (PEF 4265) channel version in either PG-DSO-20-24 or PG-VQFN-48-15 power packages, or in a dual channel version (PEF 4365), packaged in PG-DSO-36-15.

1.1 Version 2.1: Summary of Changes

Compared with the previous version of SLIC-E, PEF 4265 V1.2, the new version V2.1 is characterized by the following changes:

- Improved high-frequency noise and distortion performance
- Optimized mode transitions to minimize influence on ADSL data in IVD systems
- Compatible with both 3.3 and 5 V VDD supplies
- High impedance DC inputs
- Fully differential receive path - VCMS pin not required
- Fast current limitation for improved overvoltage behaviour
- Application circuit:
 - 100 nF / 50 V capacitor at CEXT
 - Per channel series diode in VBATL supply mandatory (no shared diodes)

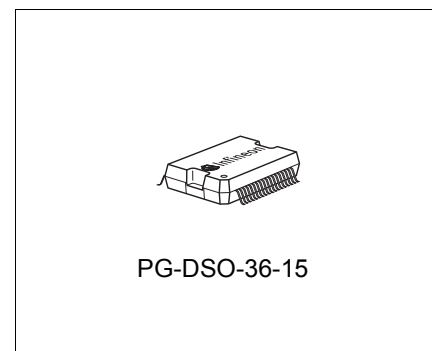
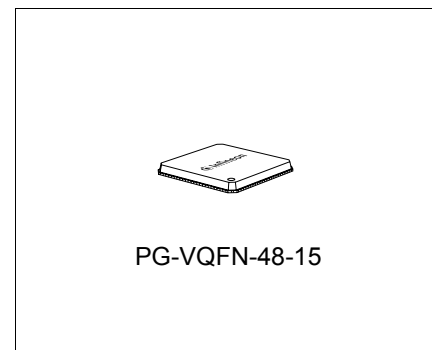
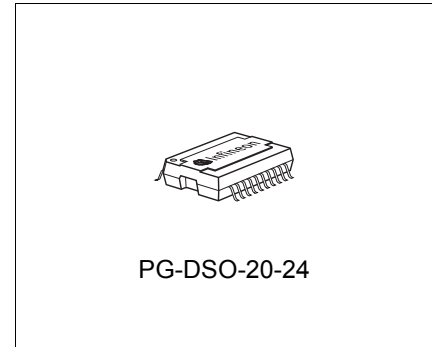
Subscriber Line Interface Circuit Enhanced Feature Set
SLIC-E
SLIC-E2
TSLIC-E

PEF 4265
PEF 4265-2
PEF 4365

Version 2.1

1.2 Features

- “ADSL-friendly” high voltage SLIC with integrated ringing
- Compatible with both 3.3 and 5 V systems
- Available in single and dual-channel versions
- High-voltage line feed (long loop driving capability)
- Sensing of transversal and longitudinal line currents
- Two Battery voltages (–15 V ... –85 V)
- Positive ring supply voltage up to +85 V
- Total supply voltage up to 150 V
- Integrated balanced ringing up to 85 V_{rms}
- High longitudinal balance performance with SLIC-E2 (PEF 4265-2)
- Power-saving active mode (ACTL) with reduced battery voltage
- Power Down mode with negligible power consumption
- Package options:
 - PG-DSO-20-24
 - PG-VQFN-48-15
 - PG-DSO-36-15 (dual channel)
- Reliable Smart Power Technology (SPT170)



Product Name	Product Type	Package
SLIC-E, SLIC-E2	PEF 4265 T, PEF 4265-2 T	PG-DSO-20-24
SLIC-E, SLIC-E2	PEF 4265 V, PEF 4265-2 V	PG-VQFN-48-15
TSLIC-E	PEF 4365 T	PG-DSO-36-15

1.3 Logic Symbol

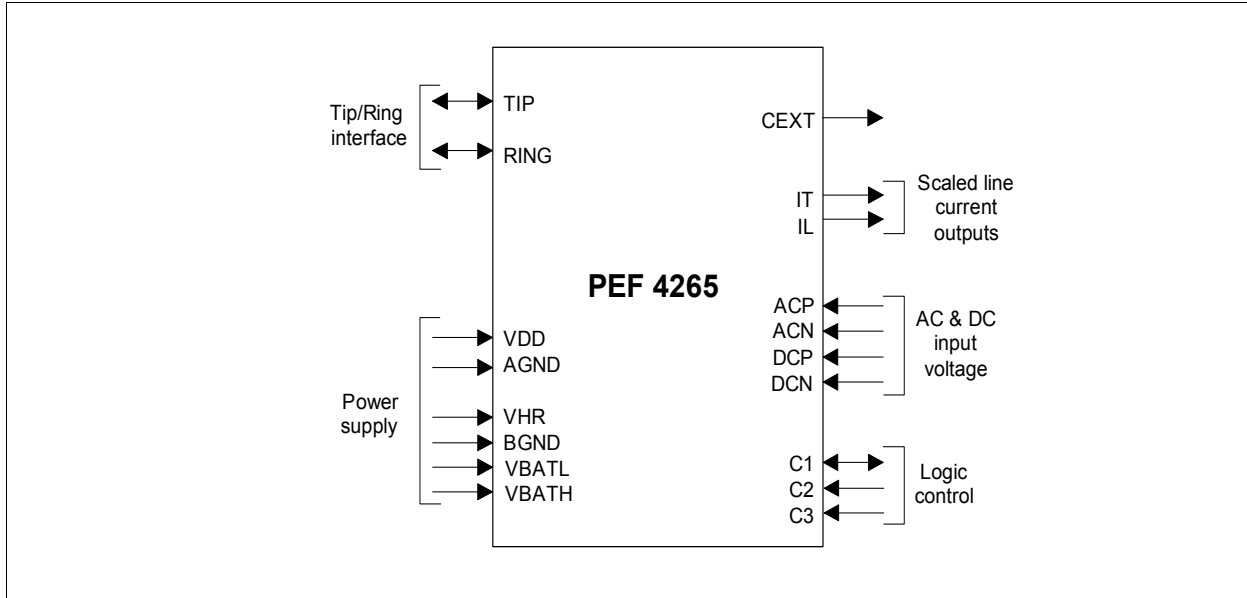


Figure 1 Logic Symbol PEF 4265

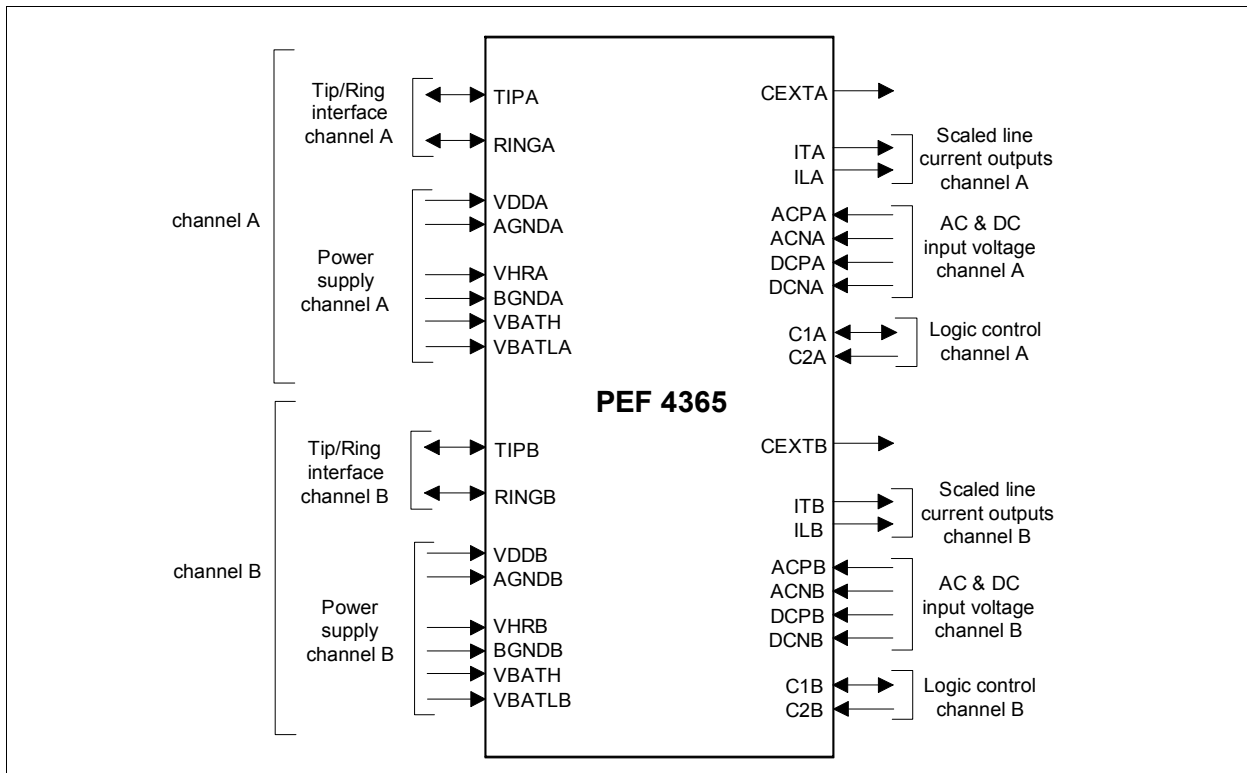


Figure 2 Logic Symbol PEF 4365

1.4 Pin Configuration

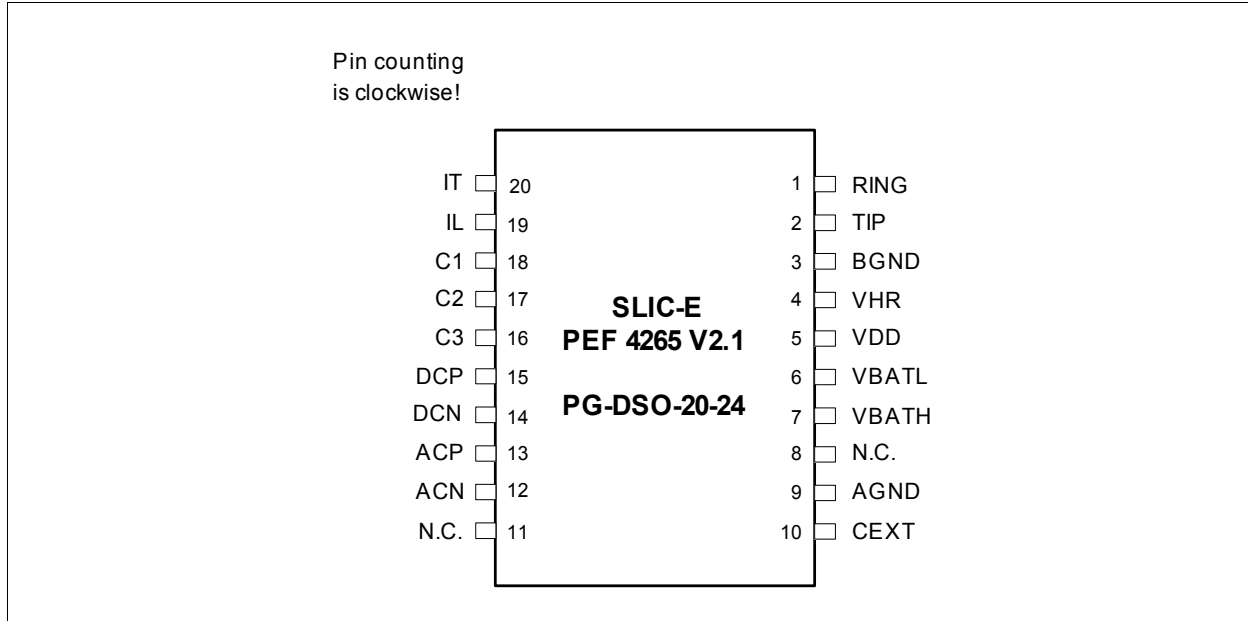


Figure 3 Pin Configuration PG-DSO-20-24 Package (top view)

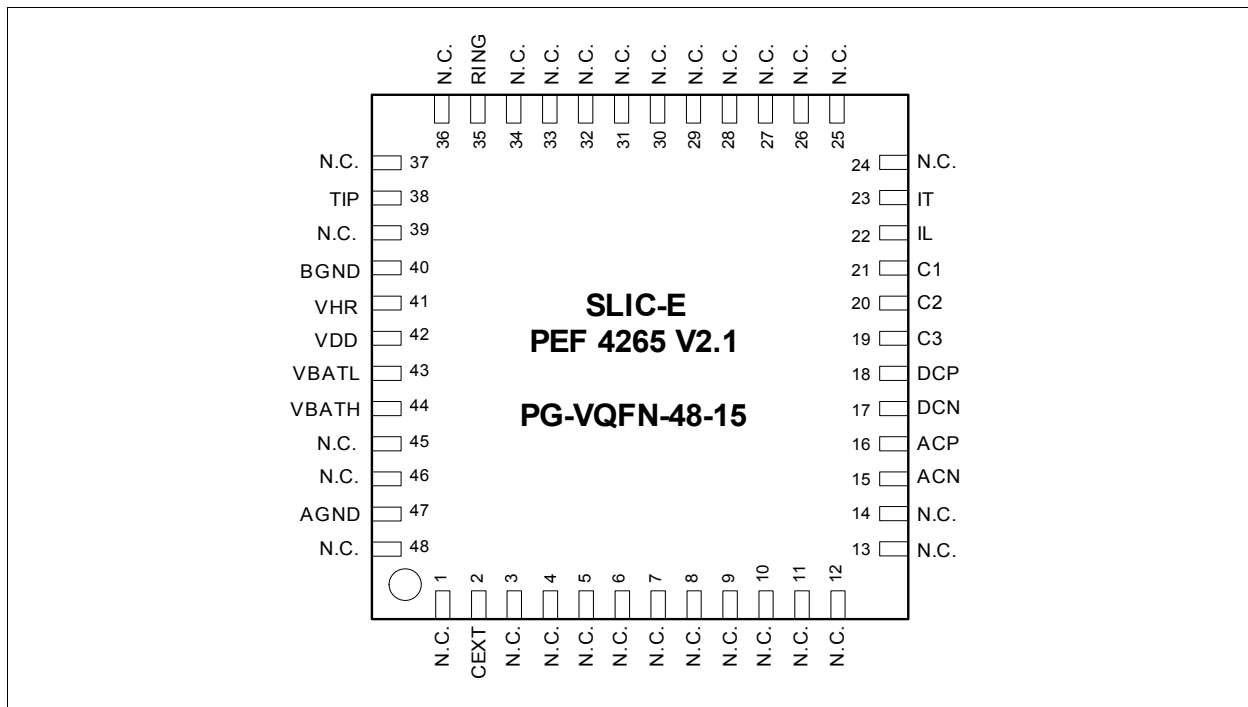


Figure 4 Pin Configuration PG-VQFN-48-15 Package (top view)

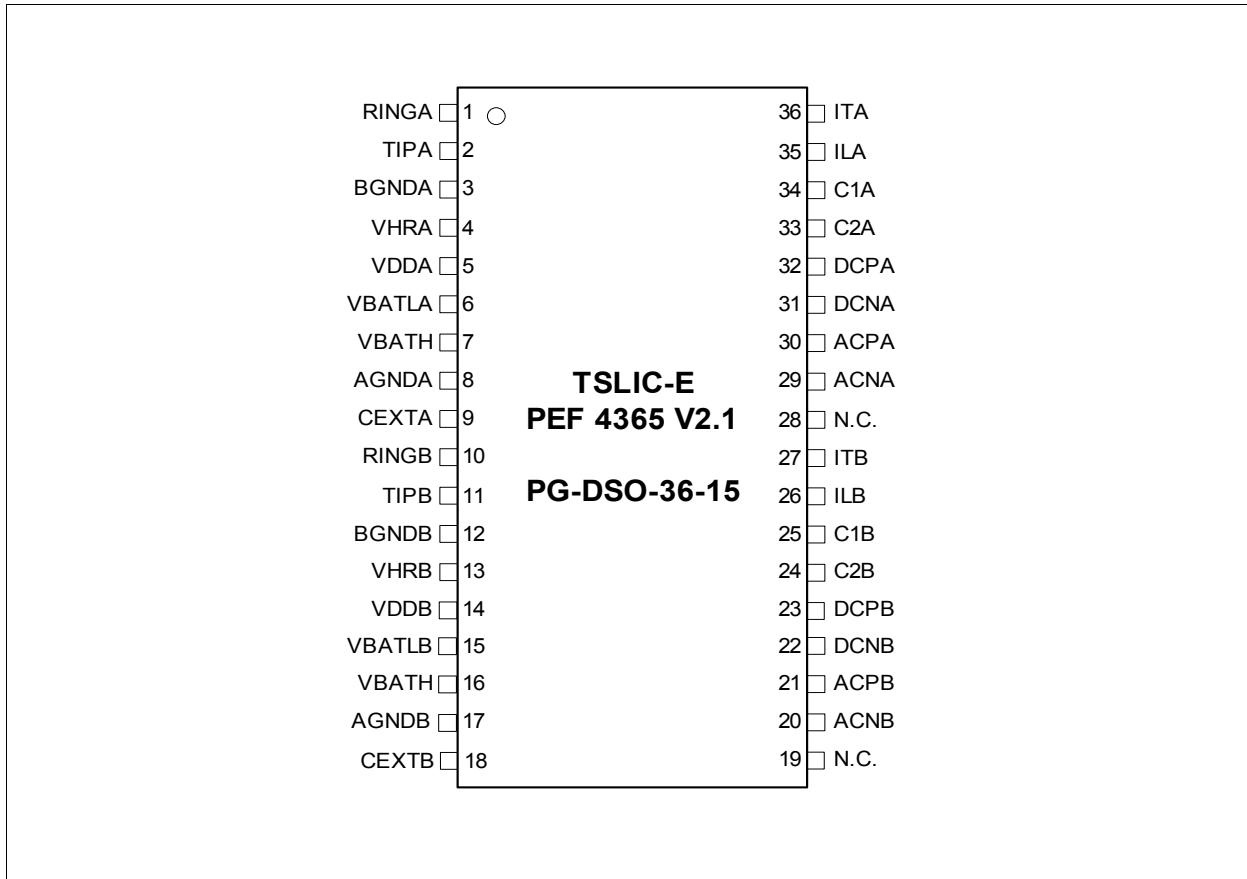


Figure 5 Pin Configuration PG-DSO-36-15 Package (dual channel)

1.5 Pin Definitions and Functions

Table 1 Pin Definitions and Functions PG-DSO-20-24 and PG-VQFN-48-15

Pin No. DSO-20	Pin No. VQFN-48	Name	Pin Type	Function
1	35	RING	I/O	Subscriber loop connection RING
2	38	TIP	I/O	Subscriber loop connection TIP
3	40	BGND	GND	Battery ground: reference for TIP, RING, VBATH, VBATL and VHR
4	41	VHR	PWR	Auxiliary positive battery supply voltage used in ringing mode ($5\text{ V} \leq V_{\text{HR}} \leq 85\text{ V}$)
5	42	VDD	PWR	Positive supply voltage (+3.3 or +5 V), referred to AGND
6	43	VBATL	PWR	Second negative battery supply voltage ($-15\text{ V} \geq V_{\text{BATL}} \geq V_{\text{BATH}}$)
7	44	VBATH	PWR	Most negative battery supply voltage; chip substrate potential ($-20\text{ V} \geq V_{\text{BATH}} \geq -85\text{ V}$)
9	47	AGND	GND	Analog ground: reference for VDD and all signal and control pins except TIP and RING
10	2	CEXT	O	Common mode line potential with high output resistance (160 kΩ); an external capacitance allows supply voltage filtering
12	15	ACN	I	ACP - ACN: differential two-wire AC input voltage; at TIP/RING amplified by -6
13	16	ACP		
14	17	DCN	I	DCP - DCN: differential DC or ring input voltage; at TIP/RING amplified by -30 (ACTL, ACTH) and -60 (ACTR mode), respectively
15	18	DCP		
16	19	C3	I	Ternary logic input, controlling the operation mode internal pull-down (C3 = L, if not connected)
17	20	C2	I	Ternary logic input, controlling the operation mode
18	21	C1	I/O	Ternary logic input, controlling the operation mode in case of thermal overload (chip temperature exceeding 165 °C) this pin sinks a current of typically 150 μA.
19	22	IL	O	Current output: longitudinal line current scaled down by a factor of 100
20	23	IT	O	Current output: transversal line current scaled down by a factor of 50
8, 11	¹⁾	N.C.		Not connected

1) For the PG-VQFN-48-15 package the following pins are not connected:
 1,3,4,5,6,7,8,9,10,11,12,13,14,24,25,26,27,28,29,30,31,32,33,34,36,37,39,45,46,48

Table 2 Pin Definitions and Functions PG-DSO-36-15

Pin No.	Name	Pin Type	Function
1 10	RINGA RINGB	I/O	Subscriber loop connection RING (Channel A) Subscriber loop connection RING (Channel B)
2 11	TIPA TIPB	I/O	Subscriber loop connection TIP
3 12	BGND A BGND B	GND	Battery ground: reference for TIP, RING, VBATH, VBATL and VHR
4 13	VHRA VHRB	PWR	Auxiliary positive battery supply voltage used in ringing mode ($5\text{ V} \leq V_{HR} \leq 85\text{ V}$)
5 14	VDDA VDD B	PWR	Positive supply voltage (+3.3 or +5 V), referred to AGND
6 15	VBATLA VBATLB	PWR	Second negative battery supply voltage ($-15\text{ V} \geq V_{BATL} \geq V_{BATH}$)
7, 16	VBATH	PWR	Most negative battery supply voltage; chip substrate potential ($-20\text{ V} \geq V_{BATH} \geq -85\text{ V}$)
8 17	AGND A AGND B	GND	Analog ground: reference for VDD and all signal and control pins except TIP and RING
9 18	CEXTA CEXTB	O	Common mode line potential with high output resistance (160 k Ω); an external capacitance allows supply voltage filtering
29, 30 20, 21	ACNA, ACPA ACNB, ACPB	I	ACP - ACN: differential two-wire AC input voltage; at TIP/RING amplified by -6
31, 32 22, 23	DCNA, DCPA DCNB, DCPB	I	DCP - DCN: differential DC or ring input voltage; at TIP/RING amplified by -30 (ACTL, ACTH) and -60 (ACTR mode), respectively
33 24	C2A C2B	I	Ternary logic input, controlling the operation mode
34 25	C1A C1B	I/O	Ternary logic input, controlling the operation mode in case of thermal overload (chip temperature exceeding 165 °C) this pin sinks a current of typically 150 μA .
35 26	ILA ILB	O	Current output: longitudinal line current scaled down by a factor of 100
36 27	ITA ITB	O	Current output: transversal line current scaled down by a factor of 50
19, 28	N.C.		Not connected

1.6 Functional Block Diagram

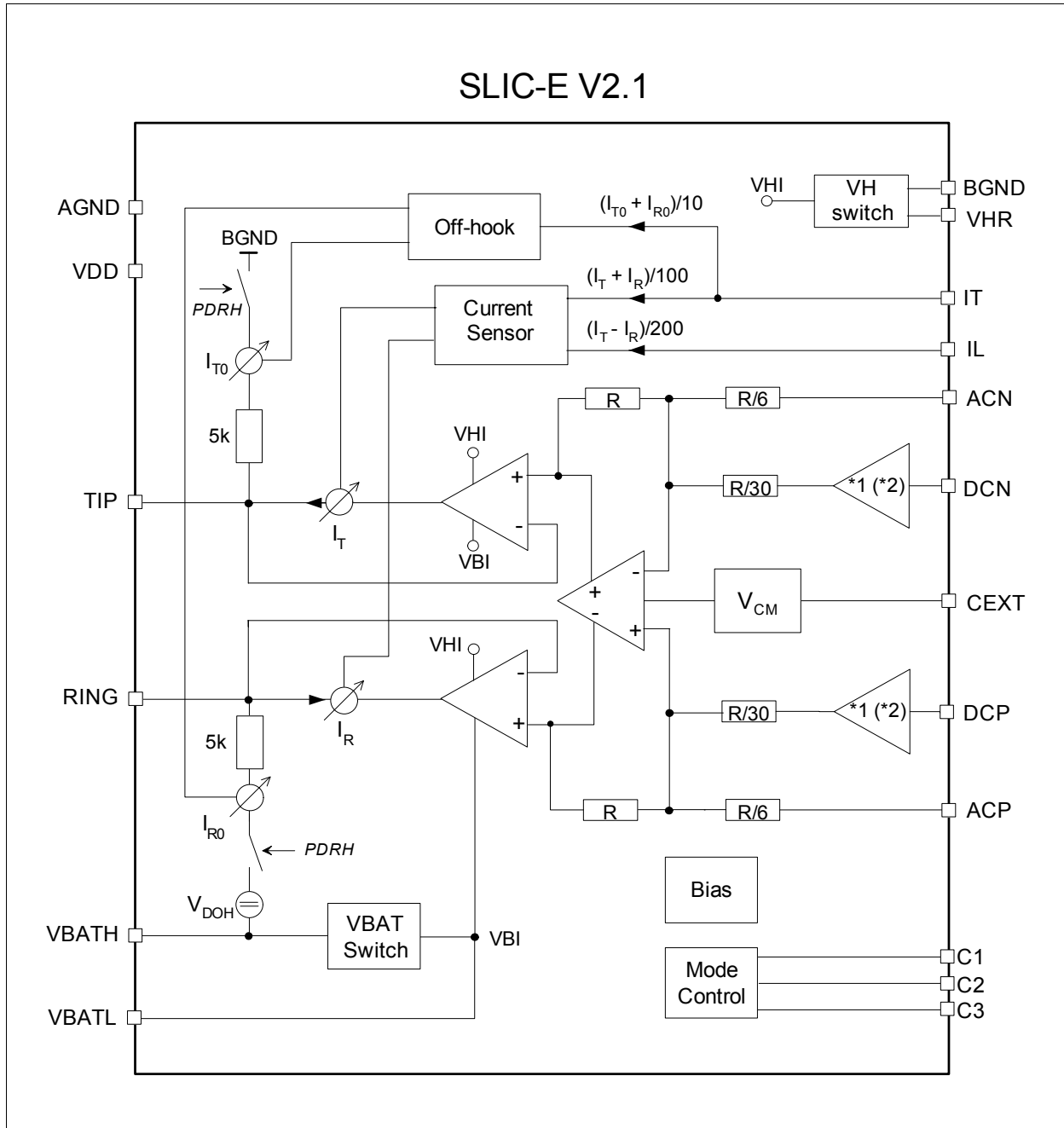


Figure 6 Block Diagram

Note: As in the dual channel version both channels "A" and "B" are identical, channel independent pin names (e.g. "TIP" instead of "TIPA / TIPB") are used throughout this document (with the exception of [Table 2](#))

2 Functional Description

A functional block diagram is shown in **Figure 6**.

SLIC-E V2.1 supports AC and DC control loops based on feeding a voltage V_{TR} to the line and sensing the transversal line current I_{Trans} and the longitudinal current I_{Long} .

In receive direction, DC and AC voltages are handled separately with different gains. Both are applied differentially via the codec interface pins DCP / DCN and ACP / ACN, respectively, defining the transversal line voltage V_{TR} through

$$\begin{aligned} V_{TR} &= V_{TIP} - V_{RING} = V_{ab} = \\ &= 30 * (V_{DCP} - V_{DCN}) + 6 * (V_{ACP} - V_{ACN}) \text{ for modes ACTH, ACTL} \\ &= 60 * (V_{DCP} - V_{DCN}) + 6 * (V_{ACP} - V_{ACN}) \text{ for mode ACTR} \end{aligned}$$

As the ring signal is processed in the DC path, the DC gain is doubled in the ring mode ACTR to enable the full output voltage swing.

The common mode line voltage is always equal to the mean supply voltage, $V_{CM} = (V_{HI} + V_{BI}) / 2$, leading to symmetrical line potentials with respect to the supplies. Depending on the operation mode, V_{HI} is switched either to V_{HR} or to BGND via the VH switch, whereas V_{BI} is connected either to V_{BATH} via the VBAT switch or to V_{BATL} via an external diode.

A reversed polarity of V_{TR} is easily obtained by changing the polarity of $(V_{DCP} - V_{DCN})$.

In transmit direction, the transversal and longitudinal line currents I_{Trans} and I_{Long} (**Figure 7**) are measured, and scaled images are provided at the IT and IL pins, respectively:

$$\begin{aligned} I_{IT} &= (I_T + I_R) / 100 = I_{Trans} / 50 & I_{IL} &= (I_T - I_R) / 200 = I_{Long} / 100 \\ I_{Trans} &= (I_T + I_R) / 2 & I_{Long} &= (I_T - I_R) / 2 \end{aligned}$$

For off-hook detection in PDRH mode, 5 kΩ resistors are connected from TIP to BGND and from RING to VBATH, respectively. The currents through these resistors, I_{T0} and I_{R0} , are sensed, scaled and provided at IT:

$$I_{IT0} = (I_{T0} + I_{R0}) / 10 = I_{TRANS0} / 5$$

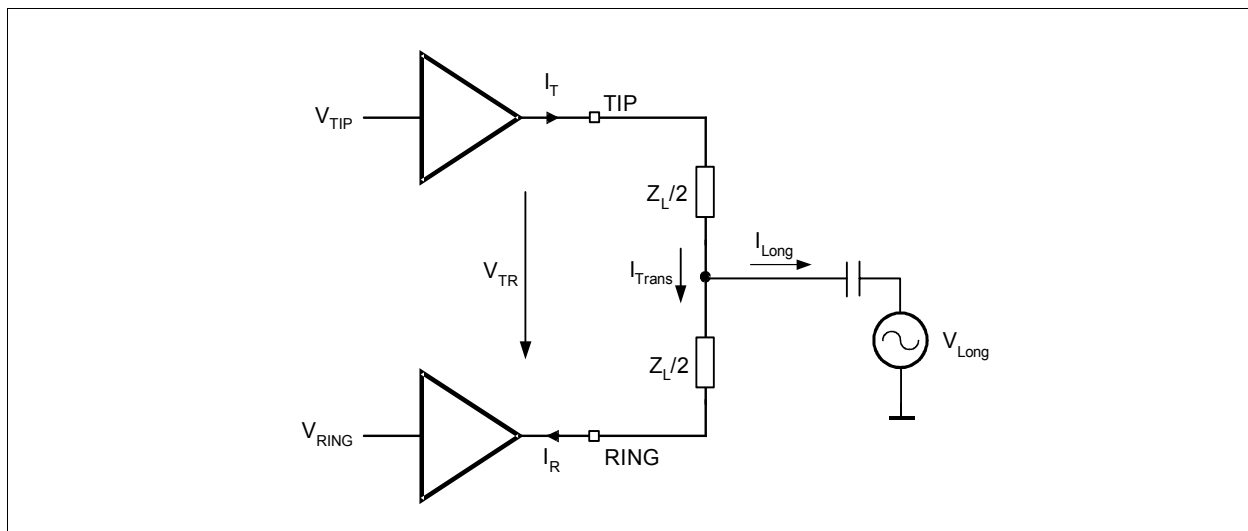


Figure 7 Transversal and Longitudinal Line Currents

2.1 Operating Modes

SLIC-E V2.1 operates in the following modes controlled by ternary logic signals at C1, C2 and a binary signal at C3 (PEF 4265 only)

Table 3 SLIC-E Mode Table

		C2				
		L	M	H		
C1	L ¹⁾	PDH	PDRHL	PDRH	L or N.C. ²⁾	C3 ³⁾
		HIRT			H ⁴⁾	
	M	ACTL	ACTH	ACTR	L or N.C. ²⁾	
					H ⁴⁾	
	H	HIRT	HIT	HIR	L or N.C. ²⁾	
		ACTH-R			H ⁴⁾	

- 1) No 'Overtemp' signaling possible via pin C1 if C1 is low.
- 2) Register setting (VINETIC[®]): SEL-SLIC = (0001)hex
- 3) Not connected in dual-channel version PEF 4365
- 4) Register setting (VINETIC[®]): SEL-SLIC = (0100)hex

Table 4 SLIC-E Modes and Supplies

Mode	Mode Description	Internal Supply Voltages V_{BI} , V_{HI}
PDH	Power Down High Impedance	VBATH, VH switch open
PDRH	Power Down Resistive High	VBATH, VH switch open
PDRHL	Power Down Resistive High Load	VBATH, VH switch open
ACTL	Active Low	VBATL, BGND
ACTH	Active High	VBATH, BGND
ACTH-R	Active High Resistive	VBATH, BGND
ACTR	Active Ring	VBATH, VHR
HIRT	High Impedance on RING and TIP	VBATH, VHR
HIT	High Impedance on TIP	VBATH, VHR
HIR	High Impedance on RING	VBATH, VHR

Power Down High Impedance (PDH)

PDH offers high impedance at TIP and RING; it can be used for testing purposes or when an error condition occurs. In PDH mode all functions are switched off. Off-hook detection is not available.

Power Down Resistive High (PDRH)

Power consumption is reduced to a minimum by switching completely off all voice transmission functions. To allow off-hook detection, PDRH provides a connection of 5 k Ω each from TIP to BGND and RING to VBATH, respectively, while the output buffers show high impedance (see [Figure 6](#)). The current through these resistors is sensed, scaled by 1/5 and transferred to the IT pin for off-hook supervision.

Power Down Resistive High Load (PDRHL)

PDRHL is used as a transition state from Power Down to Active modes (automatically initiated during a mode change). It causes fast preloading of CEXT in order to suppress line voltage transients.

Active Low (ACTL), Active High (ACTH)

These are the regular transmission modes for voiceband. The line-driving section is operated between BGND and VBATL (ACTL) or VBATH (ACTH).

Active High Resistive (ACTH-R)

The SLIC is operated in Active High state together with the 5 k Ω resistors from TIP to BGND and from RING to VBATH. This mode is intended to be used for line testing.

Active Ring (ACTR)

Utilizing an additional positive battery voltage V_{HR} , this mode allows balanced ringing of up to 85 Vrms or feeding of very long telephone lines. In ACTR mode the DC voltage gain is doubled to 60.

High Impedance (HIR, HIT, HIRT)

In these modes each of the line outputs can be programmed to show high impedance. HIT switches off the TIP buffer, while HIR switches off the RING buffer. The current through the active buffer is still sensed. In the HIRT mode both buffers show high impedance. The current sensor remains active thus allowing sensor offset calibration (for test purposes).

2.2 Current Limitation / Overtemperature Protection

In any operating mode the total current delivered by the output drivers is limited to typically 85 mA.

If, however, the junction temperature exceeds 165 °C, the current limit is further reduced to keep the junction temperature constant.

Simultaneously, pin C1 sinks a signalling current I_{therm} .

3 Typical Application Circuit for DuSLIC® and VINETIC®

Figure 8 to Figure 9 show one channel of application circuits including SLIC-E / TSLIC-E V2.1 and SLICOFI®-2/-2S or VINETIC® codec (please refer to the latest DuSLIC® or VINETIC® Data Sheet).

In Table 5 the recommended external components for a dual channel DuSLIC® or VINETIC® system and their typical values are listed.

Table 5 External Components DuSLIC® / VINETIC® for 2 Channels

No.	Symbol	Value	Unit	Relat. Tol.	Rating	DuSLIC® Systems	VINETIC® Systems
2	R_{IT1}	470	Ω	1 %	–	x	–
2	R_{IT1}	510	Ω	1 %	–	–	x
2	R_{IT2}	680	Ω	1 %	–	x	x
2	R_{IL}	1.6	k Ω	1 %	–	x	x
4	R_{STAB}	30	Ω	1 % ¹⁾	–	x	x
4	C_{STAB}	15 (POTS) 22 (IVD)	nF nF	10 % 10 %	100 V 100 V	x x	x x
2	C_{DC}	120	nF	10 %	10 V	x	–
2	C_{DC}	220	nF	10 %	10 V	–	x ²⁾
2	C_{ITAC}	680	nF	10 %	10 V	x	–
2	C_{ITAC}	1	μ F	10 %	10 V	–	x
1	C_{PRE}	18	nF	5 %	10 V	–	x
2	C_{VCMIT}	680	nF	10 %	10 V	x	–
1	C_{REF}	68	nF	20 %	10 V	x	x
2	C_{EXT}	100	nF	20 %	50 V	x	x
6	C_1	100	nF	10 %	10 V	x	–
13	C_1	100	nF	10 %	10 V	–	x
6	C_2	100	nF	10 %	100 V	x	x
1	C_3	4.7	μ F	20 %	10 V, Tantal	x	–
4	D_1, D_2	BAS 21	–	–	–	x	x
2	D_3 ³⁾	BAS 21	–	–	–	x	x
2	OVP ⁴⁾	Overvoltage Protection (e.g. thyristor)	–	–	–	x	x
4	OCP ⁴⁾	Overcurrent Protection (e.g. LFR, fuse, PTC)	–	–	–	x	x

1) Matching tolerance depends on longitudinal balance requirements (for details see [2]).

2) With VINETIC®-2CPE this capacitance is substituted by 100 nF between DCN and DCP.

3) Due to the changed battery switch concept (see Figure 6), the VBATL series diode must not be shared between different channels; one diode per channel is mandatory (also for applications with TSLIC).

4) See [1]

The C3 pin of SLIC-E V2.1 can be either

- Not connected (or connected to AGND) to be compatible with previous SLIC-E/-E2 versions or
- Connected to IO0x (IO2x) of VINETIC® (SLICOFI®-2/-2S) to offer an additional test mode ACTH-R.

Typical Application Circuit for DuSLIC® and VINETIC®

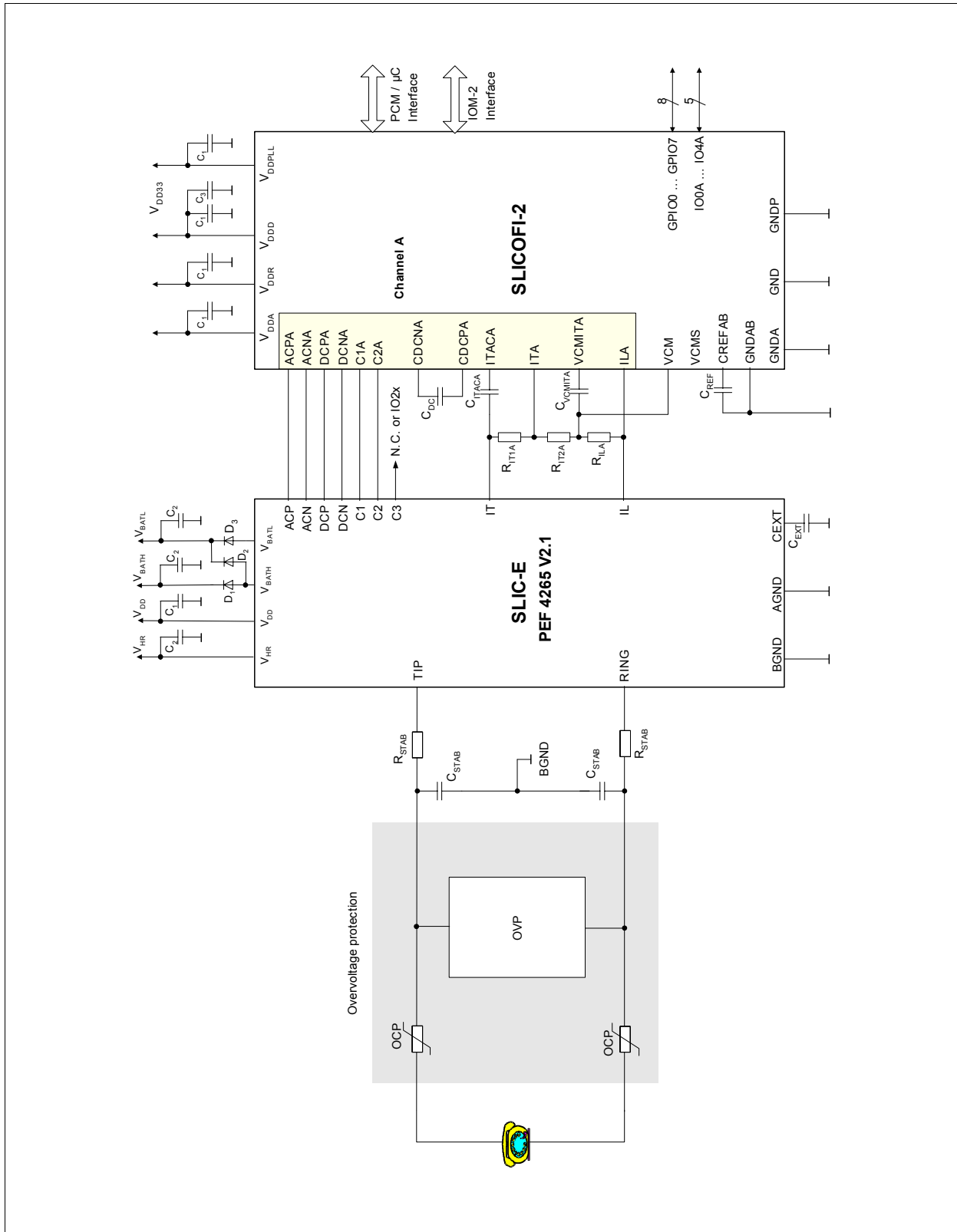


Figure 8 Application Circuit DuSLIC®

Typical Application Circuit for DuSLIC® and VINETIC®

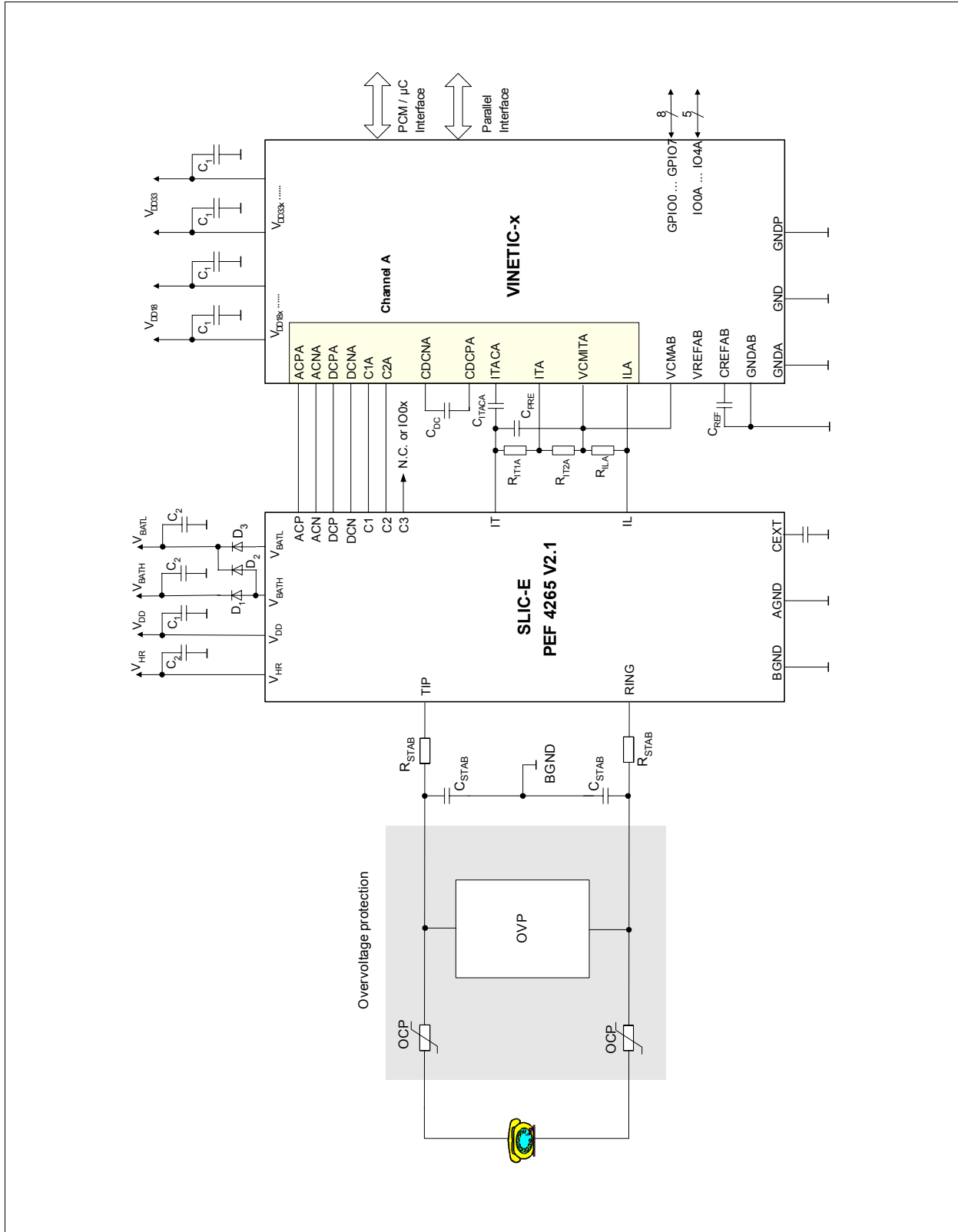


Figure 9 Application Circuit VINETIC®

4 Electrical Characteristics

4.1 Absolute Maximum Ratings

Table 6 Absolute Maximum Ratings

Parameter	Symbol	Values			Unit	Note / Test Condition
		Min.	Typ.	Max.		
Battery voltage low	V_{BATL}	-85	-	0.4	V	Referred to BGND
Battery voltage high	V_{BATH}	-90	-	0.4	V	Referred to BGND
Battery voltage difference	$V_{\text{BATL}} - V_{\text{BATH}}$	-0.4	-	-	V	-
Auxiliary supply voltage	V_{HR}	-0.4	-	90	V	Referred to BGND
Total battery supply voltage, continuous	$V_{\text{HR}} - V_{\text{BATH}}$	-0.4	-	160	V	-
V_{DD} supply voltage	V_{DD}	-0.4	-	7	V	Referred to AGND
Ground voltage difference	$V_{\text{BGND}} - V_{\text{AGND}}$	-0.4	-	0.4	V	-
Input voltages	$V_{\text{DCP}}, V_{\text{DCN}},$ $V_{\text{ACP}}, V_{\text{ACN}},$ $V_{\text{C1}}, V_{\text{C2}}, V_{\text{C3}}$	-0.4	-	$V_{\text{DD}} + 0.4$	V	Referred to AGND
Junction temperature	T_{j}	-	-	150	°C	-
ESD voltage, all pins	-	-	-	1	kV	SDM (Socketed Device Model) ¹⁾
	-	-	-	1	kV	HBM (Human Body Model) ¹⁾

1) EOS/ESD Assn. Standard DS5.3-1993.

Attention: Stresses exceeding the max. values listed above may cause permanent damage to the device. Exposure to absolute maximum rating conditions for extended periods may affect device reliability.

4.2 Foreign Line Voltages

External voltages applied at the line outputs may cause large currents in the SLIC. The resulting on-chip power dissipation has to be limited to avoid thermal destruction, if the overtemperature protection cannot react sufficiently fast due to high local power density. The safe power dissipation values are strongly dependent on duration. They can be expressed in terms of voltage and current limits directly at the TIP and RING pins (see [Table 7](#) and [Table 8](#)).

Table 7 Voltage Limits on Output Pins

Voltage Duration	Pins	Min. Voltage [V]	Max. Voltage [V]
Continuous	TIP, RING	$V_{\text{BATH}} - 0.4$	$V_{\text{HR}} + 5$
< 10 ms	TIP, RING	$V_{\text{BATH}} - 5$	$V_{\text{HR}} + 10$
< 100 μ s	TIP, RING	$V_{\text{BATH}} - 10$	$V_{\text{HR}} + 20$
< 1 μ s	TIP, RING	$V_{\text{BATH}} - 15$	$V_{\text{HR}} + 40$

Table 8 Current Limits on Output Pins

Current Duration	Pins	Min. current [A]	Max. current [A]
Continuous	TIP, RING	- 0.1	0.1
< 10 ms	TIP, RING	- 0.5	0.5
< 100 μ s	TIP, RING	- 1.0	1.0
< 1 μ s	TIP, RING	- 1.5	1.5

The above limitations have to be regarded as typical. They are valid simultaneously. Together with external circuitry they determine protection requirements (see [1]).

4.3 Operating Range

Table 9 Operating Range

Parameter	Symbol	Values			Unit	Note / Test Condition
		Min.	Typ.	Max.		
Battery voltage L ¹⁾	V_{BATL}	-80	-	-15	V	Referred to BGND
Battery voltage H ¹⁾	V_{BATH}	-85	-	-20	V	Referred to BGND
Auxiliary supply voltage	V_{HR}	V_{DD}	-	85	V	Referred to BGND
Total battery supply voltage	$V_{HR} - V_{BATH}$	-	-	150	V	-
V_{DD} supply voltage	V_{DD}	3.15	-	5.5	V	Referred to AGND
Ground voltage difference	$V_{BGND} - V_{AGND}$	-0.4	-	0.4	V	-
Voltage at pins IT, IL	V_{IT}, V_{IL}	-0.4	-	$V_{DD} - 0.6$	V	Referred to AGND
Input range $V_{DCP}, V_{DCN}, V_{ACP}, V_{ACN}$		0	-	3.3	V	Referred to AGND
Ambient temperature	T_{amb}	-40	-	85	°C	-
Junction temperature	T_J	-	-	125 ²⁾	°C	-

1) If the battery switch is not used, VBATL has to be connected with VBATH

2) Operation up to $T_J = 150$ °C possible. However, a permanent junction temperature exceeding 125 °C could degrade device reliability.

4.4 Thermal Resistances

Table 10 Thermal Resistances

Parameter	Symbol	Values			Unit	Note / Test Condition
		Min.	Typ.	Max.		
Junction to case	$R_{th, jC}$	-	2	-	K/W	All packages
Junction to ambient	$R_{th, jA}$	-	50	-	K/W	PG-DSO-20-24 without heatsink
		-	20	-	K/W	PG-DSO-20-24 with heatsink PG-DSO-36-15, 4-layer JEDEC PCB with vias, die pad soldered to PCB (footprint see Chapter 6.3.1)
Junction to ambient	$R_{th, jA}$	-	25	-	K/W	PG-VQFN-48-15, 4-layer JEDEC PCB with vias, die pad soldered to PCB (footprint see Chapter 6.2.1)

4.5 Electrical Parameters

Unless otherwise stated, minimum and maximum values are valid within the full operating range.

Testing is performed according to the specific test figures at $V_{BATH} = -48\text{ V}$, $V_{BATL} = -24\text{ V}$, $V_{HR} = +32\text{ V}$ and $V_{DD} = +3.3\text{ V}$.

Functionality and performance is guaranteed for $T_A = 0$ to 70 °C by production testing. Extended temperature range operation at $-40\text{ °C} < T_A < 85\text{ °C}$ is guaranteed by design, characterization and periodically sampling and testing production devices at the temperature extremes.

4.5.1 Supply Currents and Power Dissipation

Table 11 Supply Currents, Power Dissipation ($I_R = I_T = 0$; $V_{TR} = 0$; one channel)

Parameter	Symbol	Values			Unit	Note / Test Condition	No.
		Min.	Typ.	Max.			
Power Down High Impedance, Power Down Resistive High							
V_{DD} current	I_{DD}	–	250	350	μA	–	1
V_{BATH} current	I_{BATH}	–	40	80	μA	–	2
V_{BATL} current	I_{BATL}	–	0	10	μA	–	3
V_{HR} current	I_{HR}	–	0	10	μA	–	4
Active Low							
V_{DD} current	I_{DD}	–	2.2	2.8	mA	–	5
V_{BATH} current	I_{BATH}	–	40	80	μA	–	6
V_{BATL} current ¹⁾	I_{BATL}	–	3.3	4	mA	–	7
V_{HR} current	I_{HR}	–	0	10	μA	–	8
Active High							
V_{DD} current	I_{DD}	–	2.6	3.2	mA	–	9
V_{BATH} current ²⁾	I_{BATH}	–	3.8	4.5	mA	–	10
V_{BATL} current	I_{BATL}	–	0	10	μA	–	11
V_{HR} current	I_{HR}	–	0	10	μA	–	12
Active Ring							
V_{DD} current	I_{DD}	–	1.5	2	mA	–	13
V_{BATH} current ³⁾	I_{BATH}	–	3.5	4.3	mA	–	14
V_{BATL} current	I_{BATL}	–	0	10	μA	–	15
V_{HR} current ⁴⁾	I_{HR}	–	1.8	2.3	mA	–	16
High Impedance on TIP or RING (HIR, HIT)							
V_{DD} current	I_{DD}	–	1.5	2	mA	–	17
V_{BATH} current	I_{BATH}	–	2.9	3.6	mA	–	18
V_{BATL} current	I_{BATL}	–	0	10	μA	–	19
V_{HR} current	I_{HR}	–	1.3	1.7	mA	–	20
High Impedance on TIP and RING (HIRT)							
V_{DD} current	I_{DD}	–	1.4	1.8	mA	–	21
V_{BATH} current	I_{BATH}	–	2.2	2.8	mA	–	22

Table 11 Supply Currents, Power Dissipation ($I_R = I_T = 0$; $V_{TR} = 0$; one channel) (cont'd)

Parameter	Symbol	Values			Unit	Note / Test Condition	No.
		Min.	Typ.	Max.			
V_{BATL} current	I_{BATL}	–	0	10	μA	–	23
V_{HR} current	I_{HR}	–	0.8	1.1	mA	–	24

- 1) Current depending on supply voltage: $I_{BATL}(V_{BATL}) = I_{BATL}(-24\text{V}) + (-V_{BATL} - 24) / 40\text{k}\Omega$
- 2) Current depending on supply voltage: $I_{BATH}(V_{BATH}) = I_{BATH}(-48\text{V}) + (-V_{BATH} - 48) / 40\text{k}\Omega$
- 3) Current depending on line voltage: $I_{BATH}(V_{TR}) = I_{BATH}(0) + |V_{TR}| / 40\text{k}\Omega$
- 4) Current depending on line voltage: $I_{HR}(V_{TR}) = I_{HR}(0) + |V_{TR}| / 60\text{k}\Omega$

The total power dissipated in the SLIC consists of the quiescent power P_Q due to the supply currents and the output stage power P_O caused by any line current I_{Trans} (see [Table 12](#)).

$$P_{tot} = P_Q + P_O$$

$$\text{with } P_Q = V_{DD} * I_{DD} + |V_{BATH}| * I_{BATH} + |V_{BATL}| * I_{BATL} + V_{HR} * I_{HR}$$

Table 12 Output Stage Power Dissipation

Operating Mode	Equation for P_O Calculation	Comment
ACTL	$P_O = (1.05 * V_{BATL} - V_{TR}) * I_{Trans}$	–
ACTH	$P_O = (1.05 * V_{BATH} - V_{TR}) * I_{Trans}$	–
ACTR	$P_O = (1.02 * V_{HR} + 1.05 * V_{BATH} - V_{TR}) * I_{Trans}$ $P_O = [4 * (V_H + V_{BATH}) - \pi * V_P * \cos \varphi] * V_P / (2 * \pi * Z_L)$	Ohmic load complex load $Z = Z_L e^{i\varphi}$, V_P ... peak ring voltage

For the dual channel version, the power values of each channel have to be added to yield the total power dissipation.

4.5.2 DC Characteristics
Table 13 DC Characteristics ($V_{ACP} = V_{ACN} = 1.5\text{ V}$)

Parameter	Symbol	Values			Unit	Note / Test Condition	No.
		Min.	Typ.	Max.			
Line Termination TIP, RING							
Differential DC line voltage	$V_{TR, DC}$	-0.4	0	0.4	V	$V_{DCP} = V_{DCN} = 1.5\text{ V}$ Modes: ACTx	25
		23.5	24	24.5	V	$V_{DCP} - V_{DCN} = 0.8\text{ V}$ Mode: ACTH	26
		-24.5	-24	-23.5	V	$V_{DCP} - V_{DCN} = -0.8\text{ V}$ Mode: ACTH	27
Common mode DC line voltage	$V_{TIP, DC} = V_{RING, DC}$	-13	-12	-11	V	Mode: ACTL	28
		-25	-24	-23	V	Mode: ACTH	29
		-10	-9	-8	V	Mode: ACTR	30
DC line voltage drop (see Figure 10)	$-V_{BATH} - V_{TR, max}$	-	2.5	3	V	$I_{Trans, DC} = 20\text{ mA}$ $V_{DCP} - V_{DCN} = 2.5\text{ V}$ Temp = 25°C ¹⁾ Mode: ACTH	31
Output current limit (see Figure 15)	$ I_{R, max} , I_{T, max} $	70	85	100	mA	$V_T, V_R = 0$ (sinking)	32
		80	100	120	mA	$V_T, V_R = V_{BATx}$ (sourcing) Temp = 25°C ²⁾	33
Open loop resistance TIP to V_{BGND} (see Figure 16)	R_{TG}	4.2	5	5.8	kΩ	Temp = 25°C ³⁾ Mode: PDRH	34
Open loop resistance RING to V_{BATH} (see Figure 16)	R_{RB}	4.2	5	5.8	kΩ	Temp = 25°C ³⁾ Mode: PDRH	35
Power down open loop line voltage	$V_{TR, PD} = -V_{BATH} - V_{DOH}$	42	44	47	V	Mode: PDRH	36
Power down output leakage current	$I_{Leak, R}$	-10	-	10	μA	$V_{BATH} < V_{T/R} < 0$	37
	$I_{Leak, T}$	-10	-	10	μA	Mode: PDH	38
High impedance output leakage current	$I_{Leak, R}$	-10	-	10	μA	$V_{BATH} < V_R < V_{HR}$ Mode: HIR, HIRT	39
	$I_{Leak, T}$	-10	-	10	μA	$V_{BATH} < V_T < V_{HR}$ Mode: HIT, HIRT	40
Inputs DCP, DCN, ACP, ACN, Output C_{EXT}							
Input current DCP, DCN	I_{DC}	-	0.1	-	μA	-	41
Differential AC input resistance ACP, ACN	R_{AC}	-	20	-	kΩ	-	42
Output resistance on C_{EXT}	-	-	100	-	kΩ	-	43
Current Outputs IT, IL							
IT output current	I_{IT}	-15	0	15	μA	$I_R = I_T = 0\text{ mA}$	44
IT output current normal polarity	I_{IT}	380	400	420	μA	$I_R = I_T = 20\text{ mA}$	45

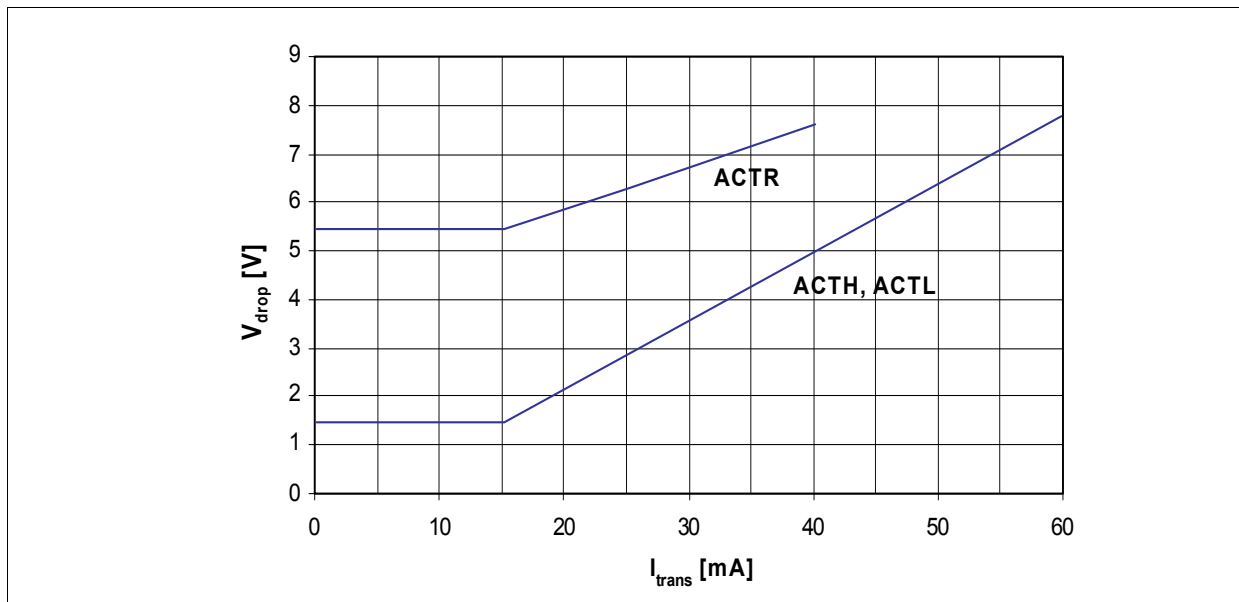
Table 13 DC Characteristics ($V_{ACP} = V_{ACN} = 1.5 \text{ V}$) (cont'd)

Parameter	Symbol	Values			Unit	Note / Test Condition	No.
		Min.	Typ.	Max.			
IT output current reverse polarity ⁴⁾	I_{IT}	-420	-400	-380	μA	$I_R = I_T = -20 \text{ mA}$	46
Transversal current ratio (see Figure 18) ⁵⁾	$I/G_{IT,DC}$	49.5	50	50.5	-	$I_R = I_T = 20 \text{ mA}$, $I_R = I_T = -20 \text{ mA}$	47
Off-hook output current on IT	-	800	950	1100	μA	TIP/RING shorted, Temp = 25 °C ⁶⁾ Mode: PDRH	48
IL output current (see Figure 18)	I_{IL}	-20	0	20	μA	$I_R = I_T = 20 \text{ mA}$	49
		30	50	70	μA	$I_R = 15 \text{ mA}$, $I_T = 25 \text{ mA}$	50
		-160	-125	-90	μA	$I_R = 50 \text{ mA}$, $I_T = 25 \text{ mA}$	51

Control Inputs C1, C2, C3

H-input voltage	V_{IH}	2.7	-	$V_{DD} + 0.3$	V	-	52
M-input voltage	V_{IM}	1.2	-	2.1	V	C1, C2 only	53
L-input voltage	V_{IL}	-0.3	-	0.6	V	-	54
Input pull down current	I_{in}	0	2	10	μA	C1, C2, C3	55
Thermal overload current C1	I_{therm}	120	150	250	μA	$V_{C1} = 1.20 \text{ V}$	56
Thermal overload threshold temperature	T_{jLIM}	-	165	-	°C	Mode: ACTx, Hlx	57

- 1) The systematic temperature dependence is appr. + 7 mV / °C
- 2) The systematic temperature dependence is appr. -0.3 % / °C
- 3) The systematic temperature dependence is appr. +0.1 % / °C
- 4) With **VDD = 3.3 V**, the IT output current **in reverse polarity** is limited to typically 700 μA ; thus, the DC current regulation loop operates correctly only up to the corresponding line current value of 35 mA. In all other cases, IT is linear within the full line current range
- 5) The offset ($I_R = I_T = 0 \text{ mA}$) has to be taken into account.
- 6) The systematic temperature dependence is appr. -0.1 % / °C


Figure 10 Typical Buffer Voltage Drop in Operating Modes ACTL, ACTH, ACTR

4.5.3 AC Characteristics

If not otherwise stated, AC characteristics are tested at a DC line current of 25 mA and –25 mA, respectively; they are valid in all active modes.

Table 14 AC Characteristics

Parameter	Symbol	Values			Unit	Note / Test Condition	No.
		Min.	Typ.	Max.			
Line Termination TIP, RING							
Receive gain (see Figure 18)	G_r	5.925	6.0	6.075	–	$V_{ACP} - V_{ACN} = 640 \text{ mV}_{\text{rms}}$, $f = 1015 \text{ Hz}$	58
Total harmonic distortion V_{TR} (see Figure 18)	THD	–	0.01	–	%	$V_{ACP} - V_{ACN} = 640 \text{ mV}_{\text{rms}}$, $f = 1015 \text{ Hz}$	59
Teletax distortion	THD_{TTX}	–	0.1	–	%	$V_{TR,AC} = 5 \text{ V}_{\text{rms}}$, $f = 16 \text{ kHz}$, $R_L = 200 \Omega$	60
		–	0.2	–	%	$V_{TR,AC} = 5 \text{ V}_{\text{rms}}$, $f = 16 \text{ kHz}$, $R_L = 200 \Omega$, $I_{Trans,DC} = 0 \text{ mA}$	61
Psophometric noise (see Figure 18)	N_{pVTR}	–	–82	–78	dBmp	–	62
Longitudinal to transversal rejection ratio V_{long}/V_{TR} (see Figure 19)	$LTRR$	–	80	–	dB	$V_{long} = 3 \text{ V}_{\text{rms}}$, $300 \text{ Hz} < f < 3.4 \text{ kHz}$	63
Longitudinal to transversal rejection ratio V_{long}/V_{TR} (loop) PEF 4265, PEF 4365 (see Figure 19)	$LTRR_{loop}$	54	58	–	dB	$V_{long} = 3 \text{ V}_{\text{rms}}$, $300 \text{ Hz} < f < 1 \text{ kHz}$	64
		52	56	–	dB	$f = 3.4 \text{ kHz}$	65

Table 14 AC Characteristics (cont'd)

Parameter	Symbol	Values			Unit	Note / Test Condition	No.
		Min.	Typ.	Max.			
Longitudinal to transversal rejection ratio $V_{\text{long}}/V_{\text{TR}}$ (loop) PEF 4265-2 (see Figure 19)	$LTRR-2_{\text{loop}}$	61	65	–	dB	$V_{\text{long}} = 3 V_{\text{rms}}$ $300 \text{ Hz} < f < 1 \text{ kHz}$	66
		56	60	–	dB	$f = 3.4 \text{ kHz}$	67
Transversal to longitudinal rejection ratio $V_{\text{TR}}/V_{\text{long}}$ (see Figure 21)	$TLRR$	48	60	–	dB	$V_{\text{ACP}} - V_{\text{ACN}} = 1920 \text{ mV}_{\text{rms}}$, $300 \text{ Hz} < f < 3.4 \text{ kHz}$	68
Power supply rejection ratio (see Figure 11 , Figure 12 , Figure 14 , Figure 14)	$PSRR$					$V_{\text{SupplyAC}} = 100 \text{ mV}_{\text{p}}$, $300 \text{ Hz} < f < 3.4 \text{ kHz}$	
$V_{\text{BATL}}/V_{\text{TR}}$		40	60	–	dB		69
$V_{\text{BATH}}/V_{\text{TR}}$		40	60	–	dB		70
$V_{\text{HR}}/V_{\text{TR}}$		33	50	–	dB		71
$V_{\text{DD}}/V_{\text{TR}}$		33	50	–	dB		72
Interchannel crosstalk ¹⁾			-80	–	dB	$300 \text{ Hz} < f < 3.4 \text{ kHz}$ both channels active	73
			-80	–	dB	One channel active, one channel power down	74
Ringing amplitude TIP/RING	V_{RNG0}	–	85	–	Vrms	$V_{\text{DCP}} - V_{\text{DCN}} = 0.15 \text{ V (DC)}$ $+ 1.42 V_{\text{rms}}$ (sine wave, 20Hz)	75
Ringing distortion (see Figure 22)	RD	–	0.1	–	%	$R_{\text{R}} = 450 \Omega$, $C_{\text{R}} = 3.4 \mu\text{F}$, Mode: ACTR	76

Transversal Current IT²⁾

Transversal current ratio (see Figure 18)	I/G_{it}	49.5	50	50.5		$V_{\text{ACP}} - V_{\text{ACN}} = 640 \text{ mV}_{\text{rms}}$, $f = 1015 \text{ Hz}$	77
		49	50	51		$I_{\text{Trans,DC}} = 25 \text{ mA}$ $I_{\text{Trans,DC}} = -25 \text{ mA}$	78
Total harmonic distortion V_{IT}	THD_{IT}	–	0.02	0.3	%	$V_{\text{ACP}} - V_{\text{ACN}} = 640 \text{ mV}_{\text{rms}}$, $f = 1015 \text{ Hz}$	79
Psophometric noise (see Figure 18)	N_{pVIT}	–	-110	-105	dBmp	–	80
Longitudinal to transversal current output rejection ratio $V_{\text{long}}/V_{\text{IT}}$ (see Figure 19)	$LITRR$	–	85	–	dB	$V_{\text{long}} = 3 V_{\text{rms}}$, $300 \text{ Hz} < f < 3.4 \text{ kHz}$	81
Power supply rejection ratio	$PSRR$					$V_{\text{SupplyAC}} = 100 \text{ mV}_{\text{p}}$, $300 \text{ Hz} < f < 3.4 \text{ kHz}$	
$V_{\text{BATL}}/V_{\text{IT}}$		50	70	–	dB		82
$V_{\text{BATH}}/V_{\text{IT}}$		50	70	–	dB		83
$V_{\text{HR}}/V_{\text{IT}}$		50	70	–	dB		84
$V_{\text{DD}}/V_{\text{IT}}$		50	70	–	dB		85

1) Dual channel version PEF 4365 only

2) Unless otherwise specified, characteristics are valid for both DC line current directions (normal and reverse polarity)

4.5.3.1 Frequency Dependence of PSRR

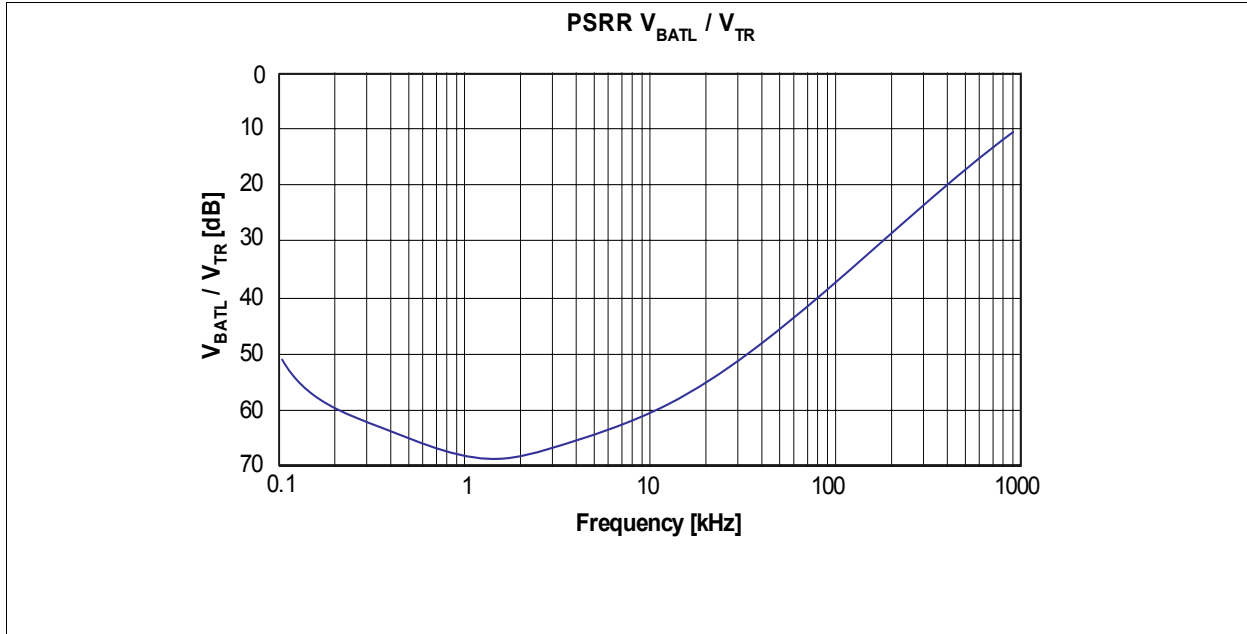


Figure 11 Typical Frequency Dependence of PSRR V_{BATL}/V_{TR}

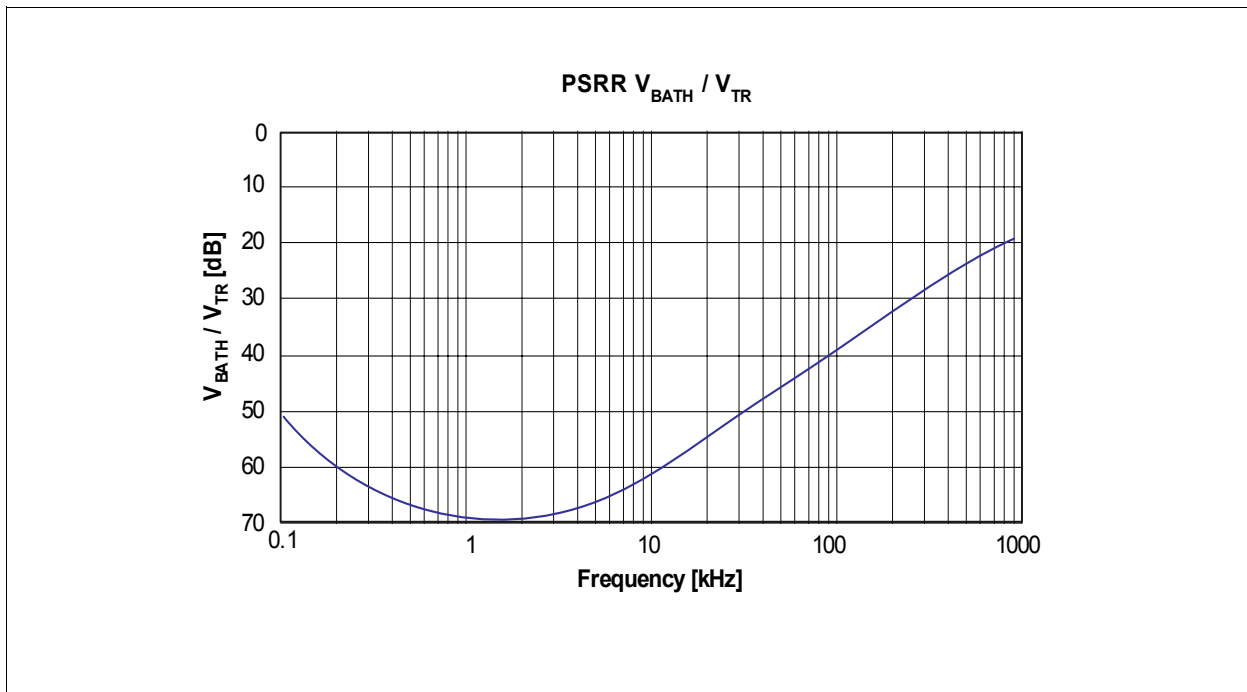


Figure 12 Typical Frequency Dependence of PSRR V_{BATH}/V_{TR}

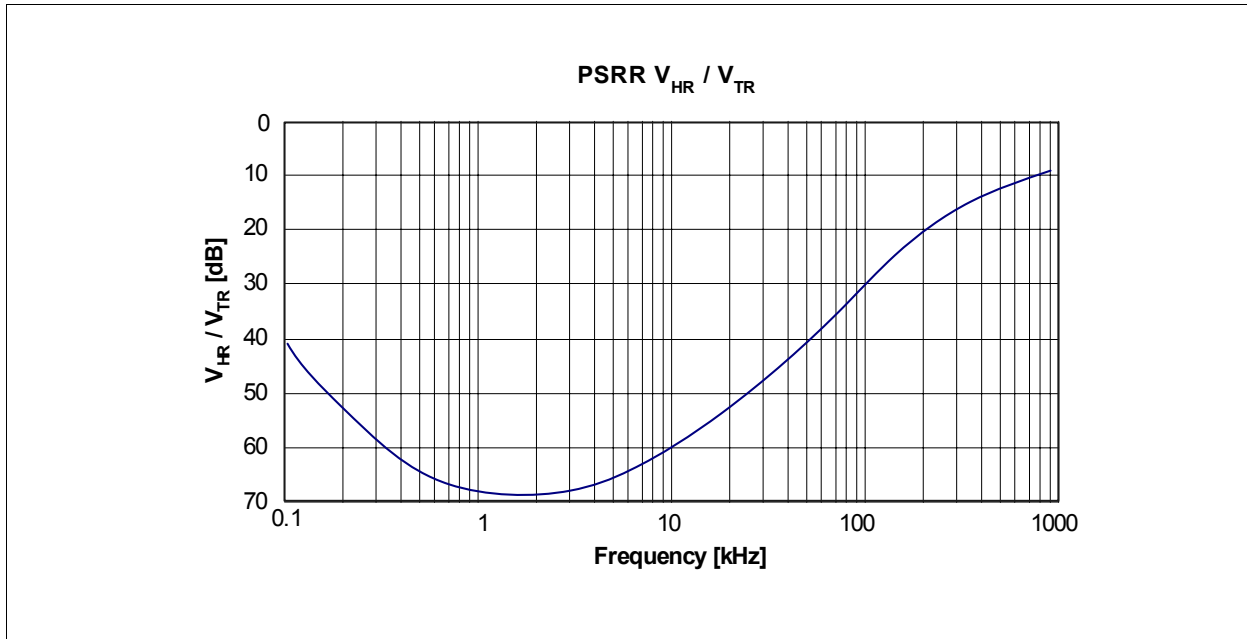


Figure 13 Typical Frequency Dependence of PSRR VHR/VTR

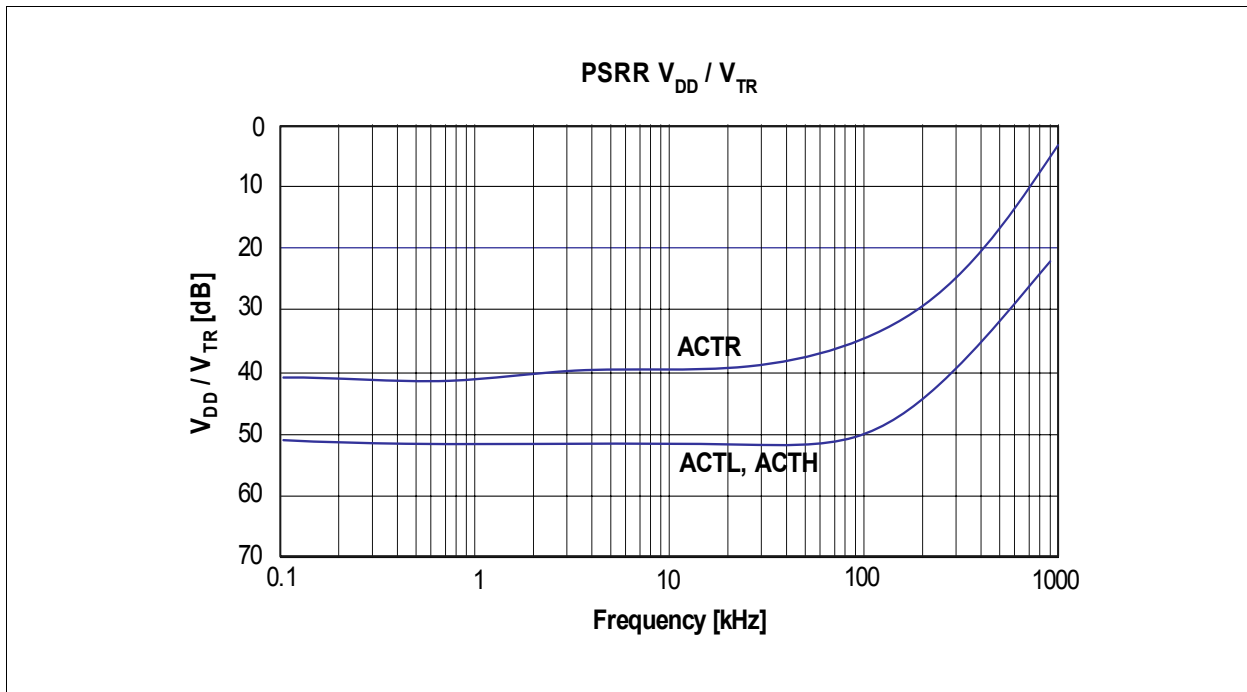


Figure 14 Typical Frequency Dependence of PSRR VDD/VTR

5 Test Figures

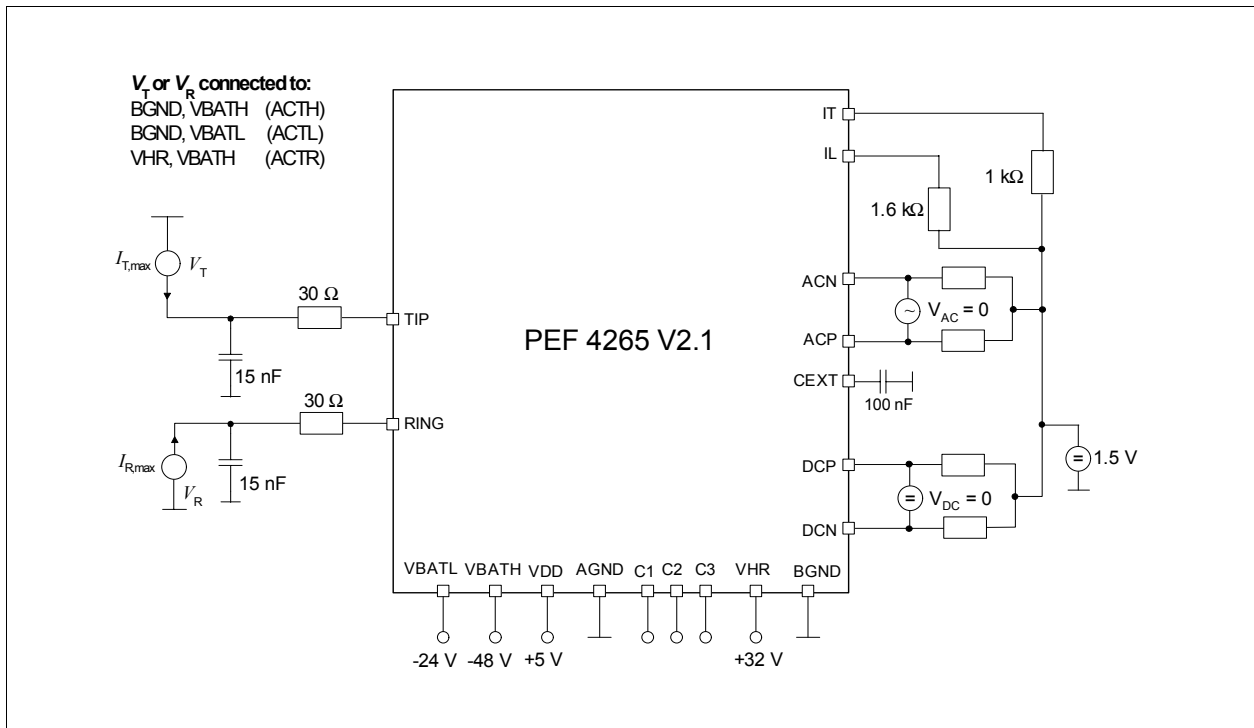


Figure 15 Output Current Limit

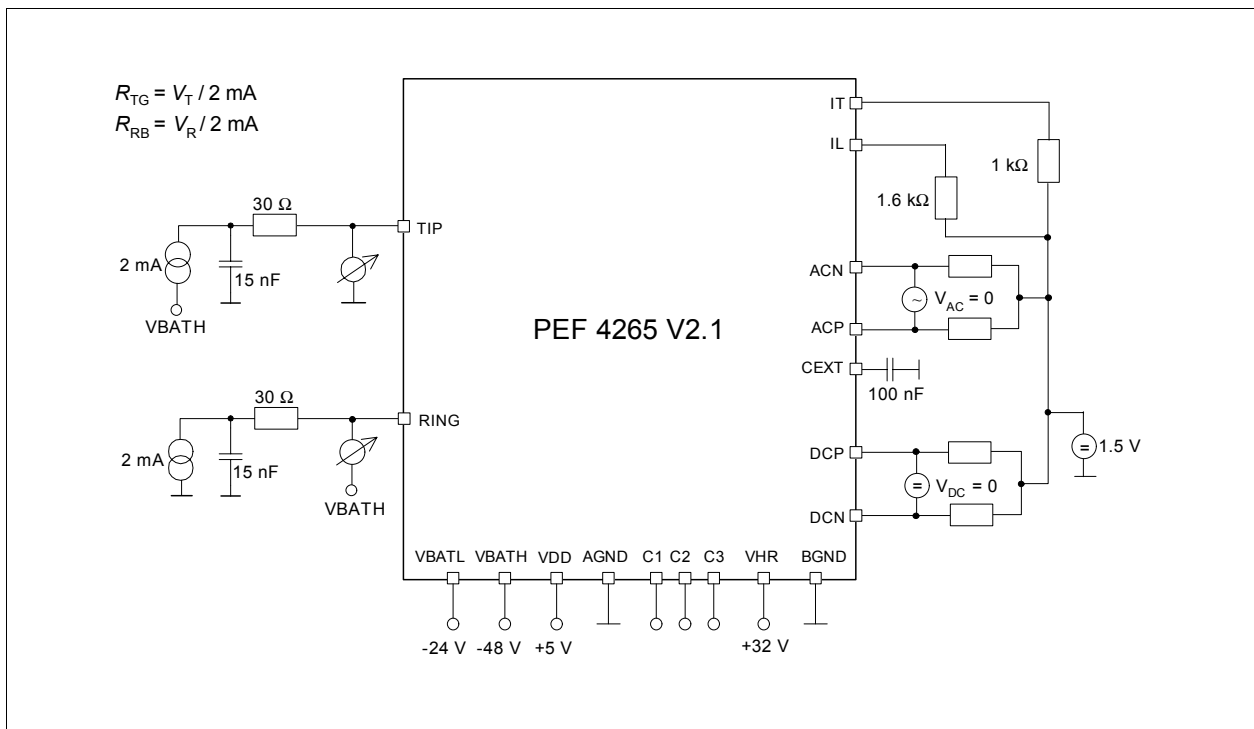


Figure 16 Output Resistance PDRH, PDRHL

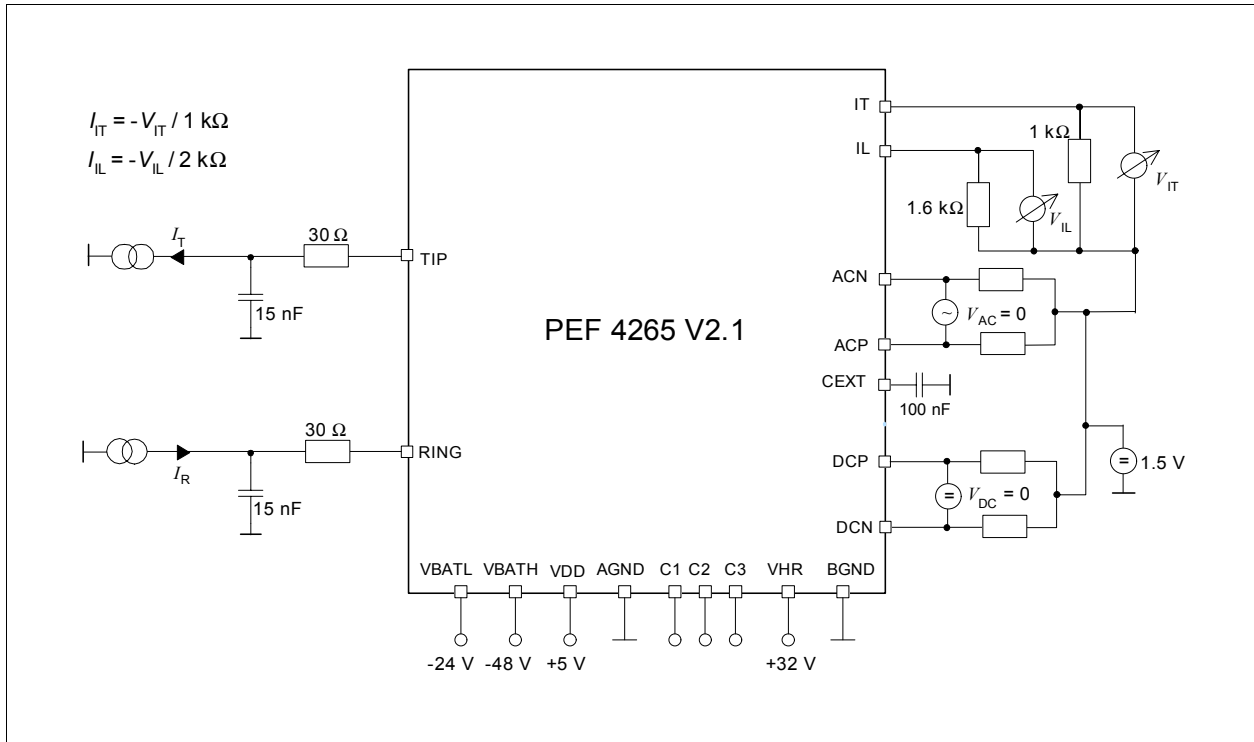


Figure 17 Current Outputs I_T , I_L

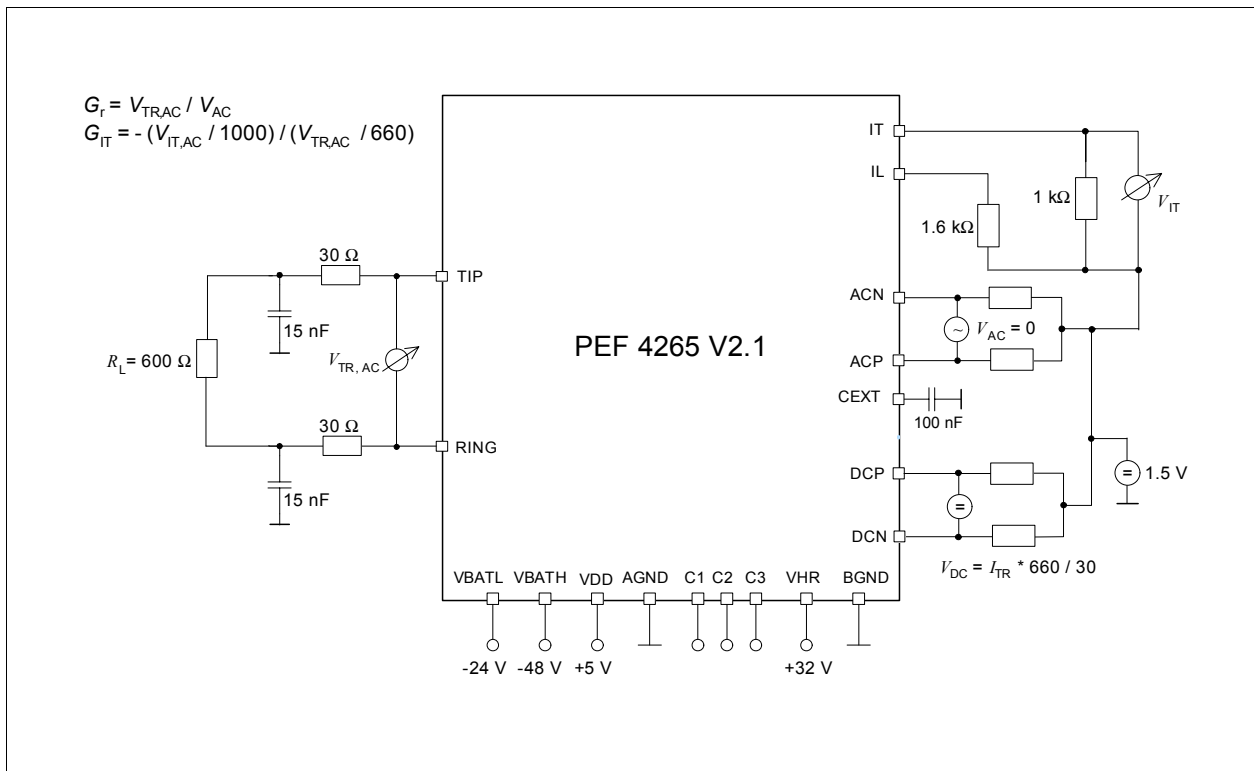


Figure 18 Transmission Characteristics

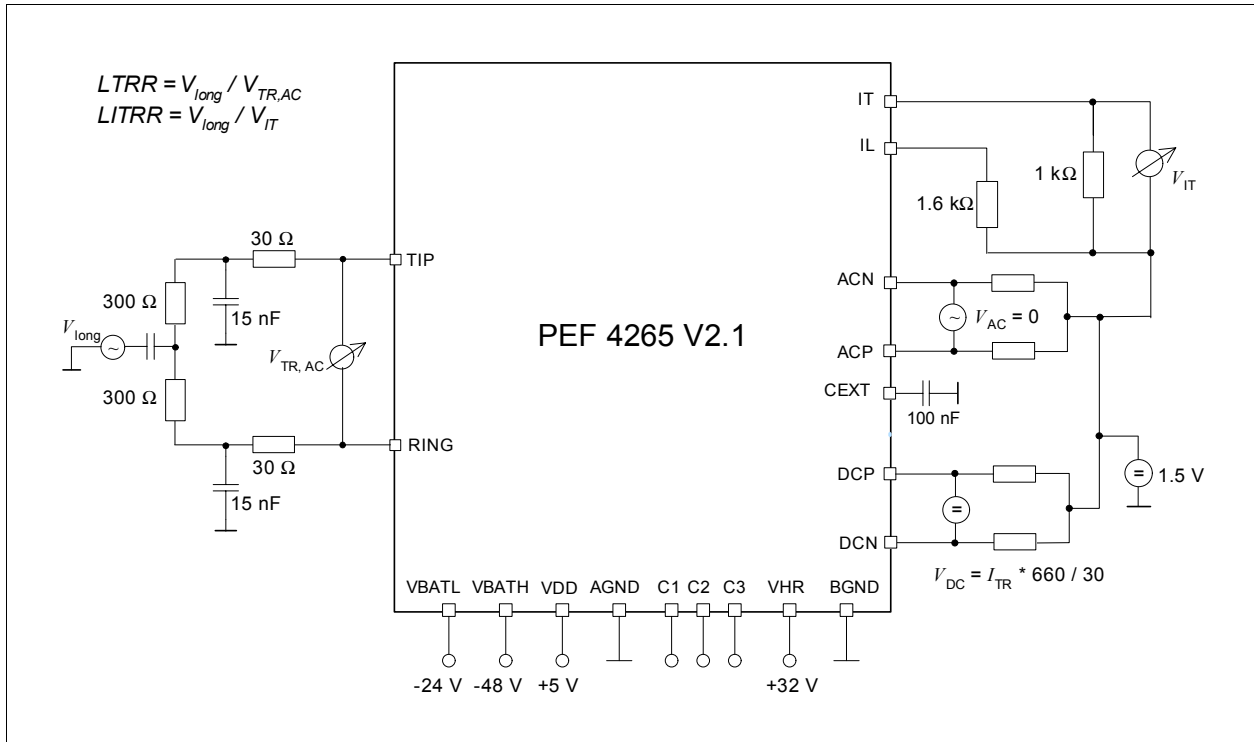


Figure 19 Longitudinal to Transversal Rejection

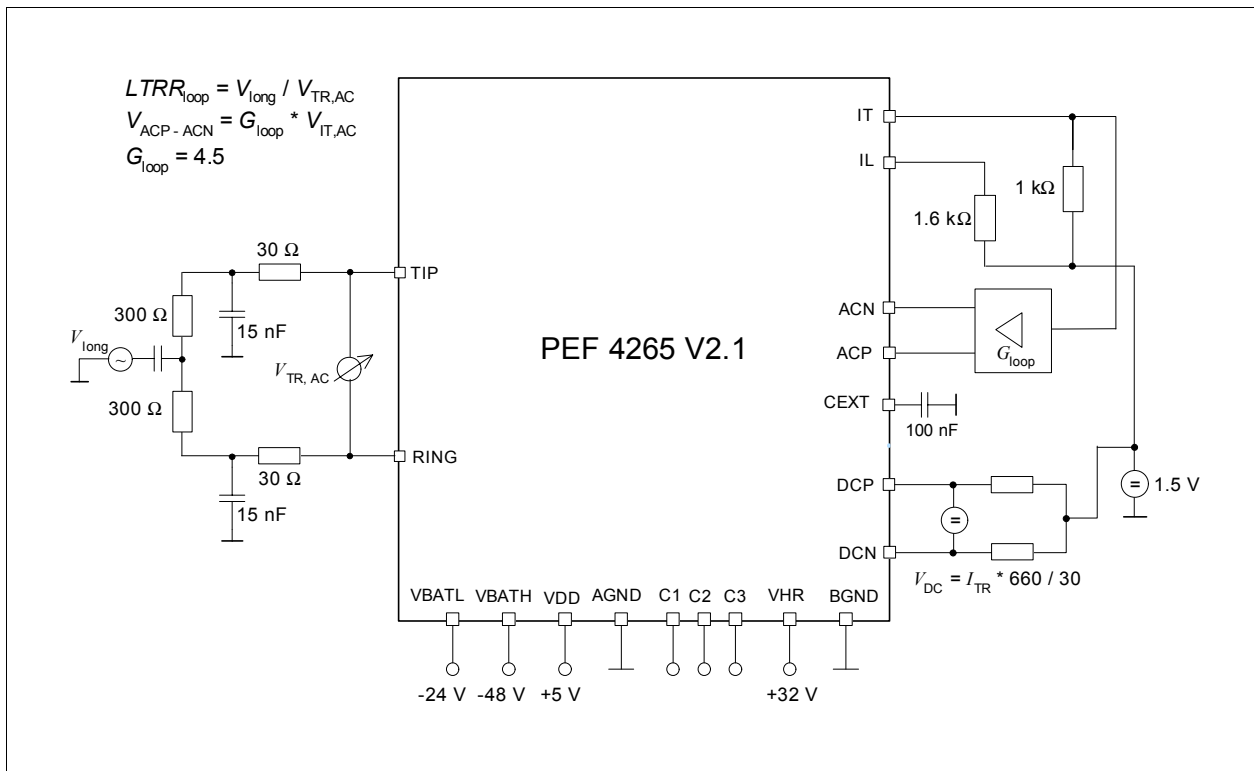


Figure 20 Longitudinal to Transversal Rejection Loop

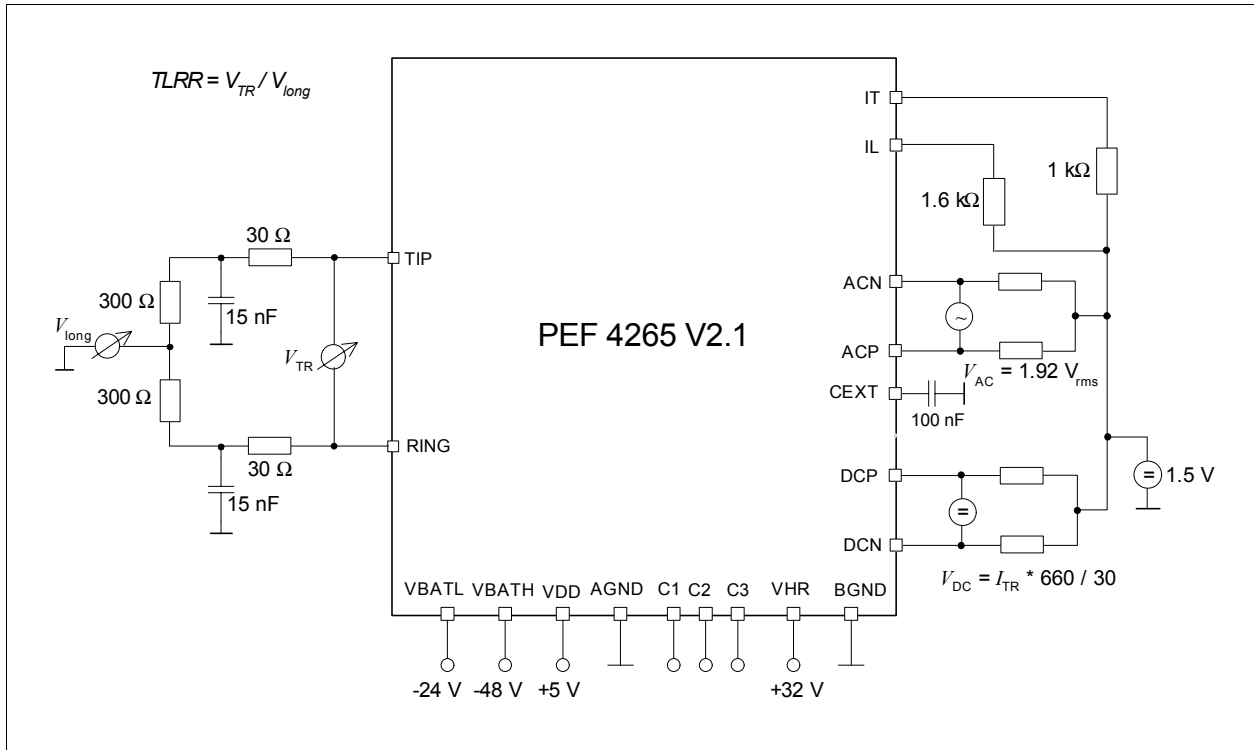


Figure 21 Transversal to Longitudinal Rejection

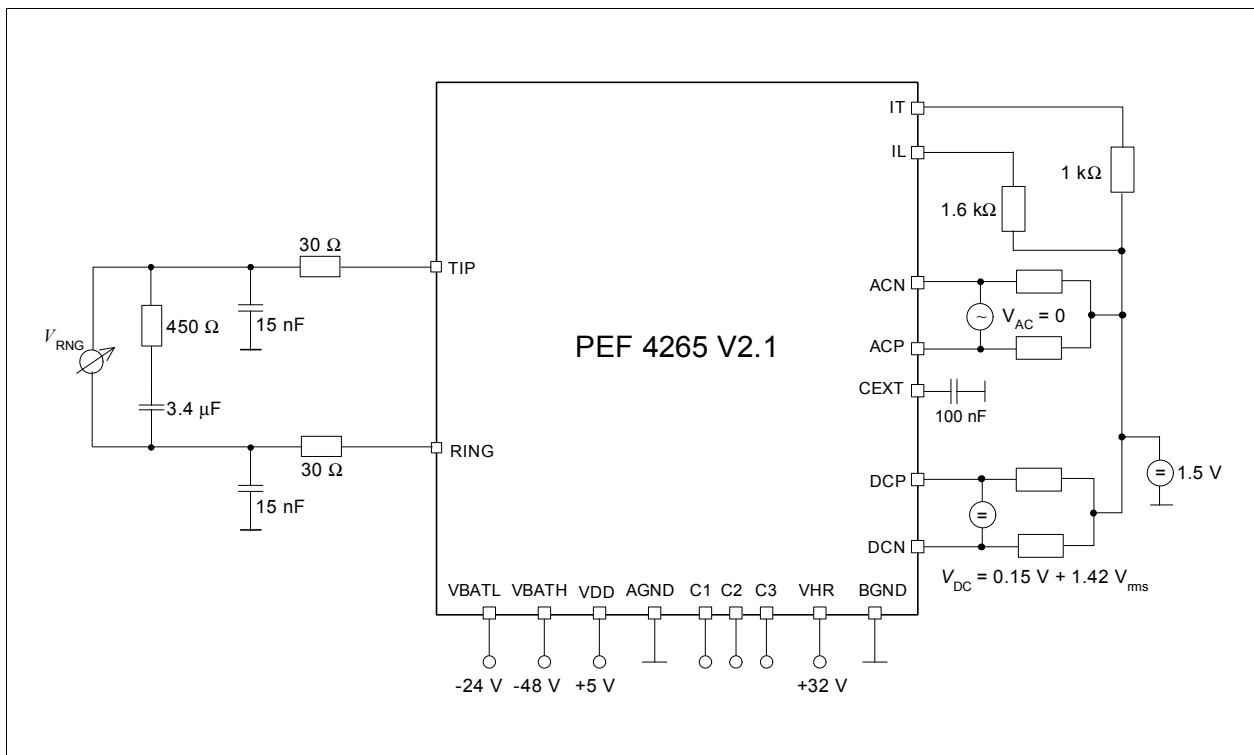


Figure 22 Ring Amplitude

6 Package Outlines

6.1 PG-DSO-20-24 Package

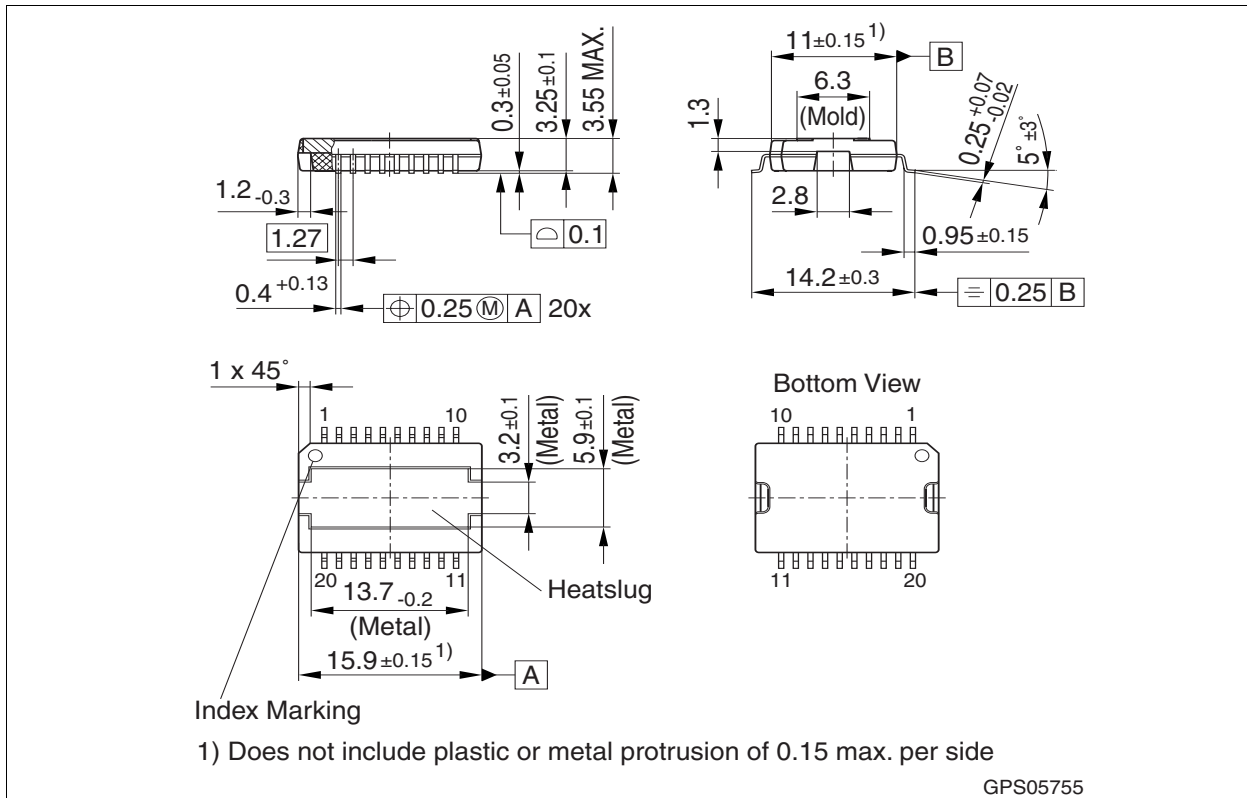


Figure 23 Package Outline for PG-DSO-20-24 (Plastic Green Dual Small Outline)

Notes

1. Heatsink on top - pin counting clockwise (top view)
2. Dimensions in mm

Attention: The heatsink is connected to VBATH via the chip substrate. Due to the high voltage of up to 150 V between VHR and VBATH, touching of the heatsink or any attached conducting part can be hazardous.

6.2 PG-VQFN-48-15 Package

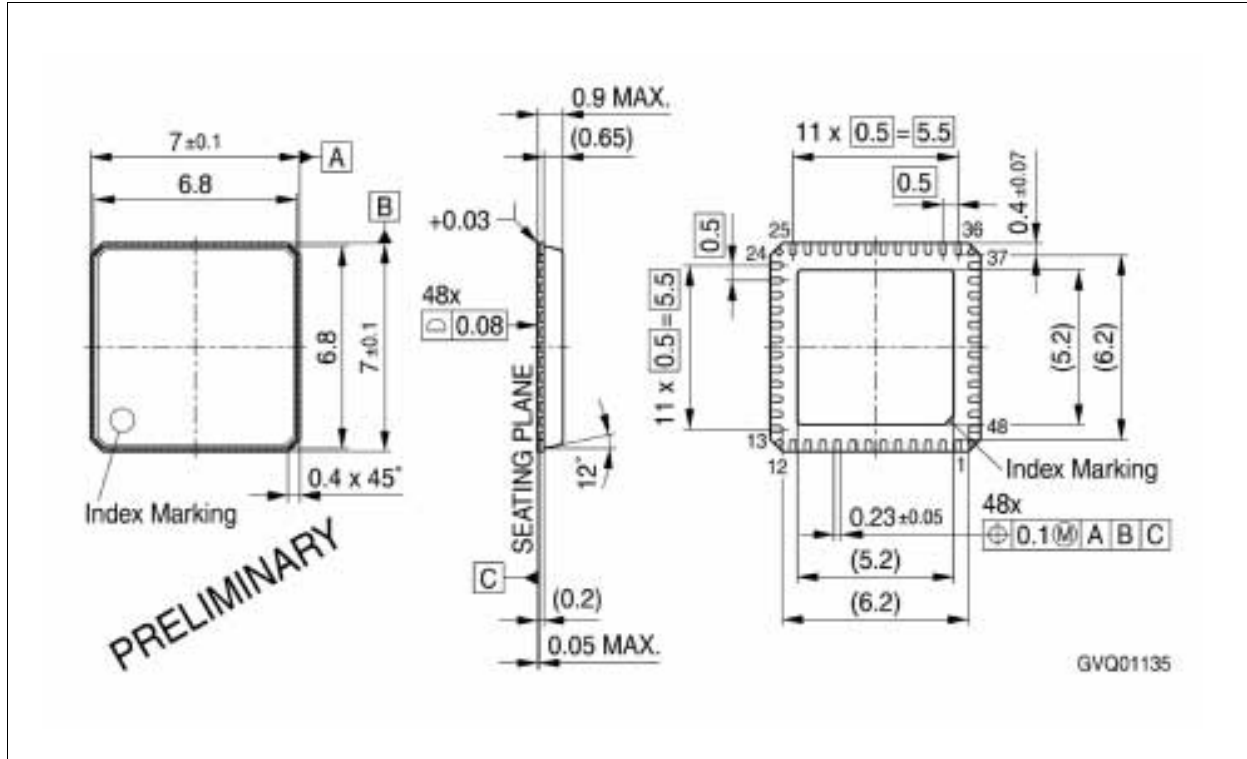


Figure 24 Package Outline for PG-VQFN-48-15 (Plastic Green Very thin Profile Quad Flatpack No-lead)

Note: Dimensions in mm

Attention: The exposed die pad and the die pad edges are connected to VBATH via the chip substrate. Due to the high voltage of up to 150 V between VHR and VBATH, touching of the die pad or any attached conducting part can be hazardous.

6.2.1 Recommended PCB Foot Print Pattern for PG-VQFN-48-15 Package

For detailed information on PCB related thermal and soldering issues of the PG-VQFN-48-15 package see [3], chapter 3 and 4.

6.3 PG-DSO-36-15 Package

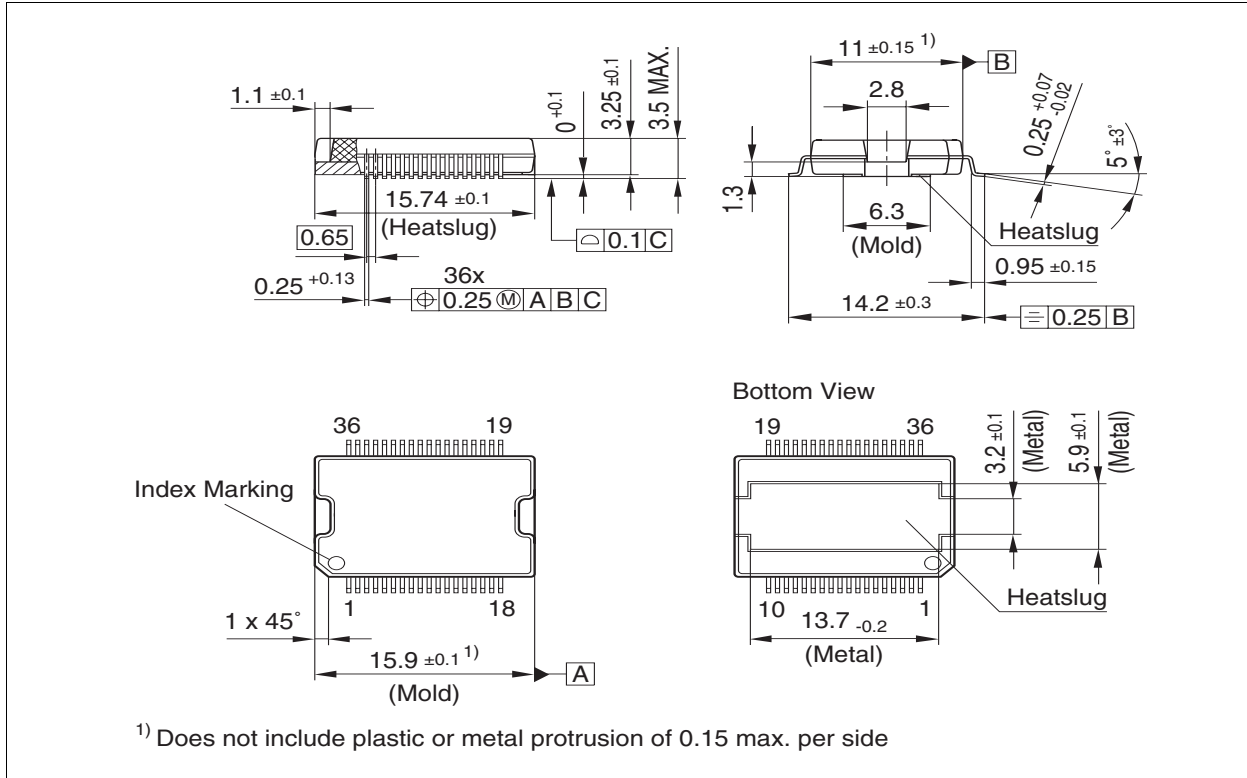


Figure 25 Package Outline for PG-DSO-36-15 (Plastic Green Dual Small Outline)

Notes

1. Heatslug down version - pin counting counterclockwise (top view)
2. Dimensions in mm

Attention: The heatslug is connected to VBATH via the chip substrate. Due to the high voltage of up to 150 V between VHR and VBATH, touching of the heatsink or any attached conducting part can be hazardous.

6.3.1 Recommended PCB Foot Print Pattern for PG-DSO-36-15 Package

The heatslug is soldered to the PCB according to [Figure 25](#). For improved thermal behaviour the utilization of another PCB metal layer as an additional cooling area is recommended. These copper areas should be both electrically separated from each other and floating, i. e. they must not be connected with any other metallic part on the PCB.

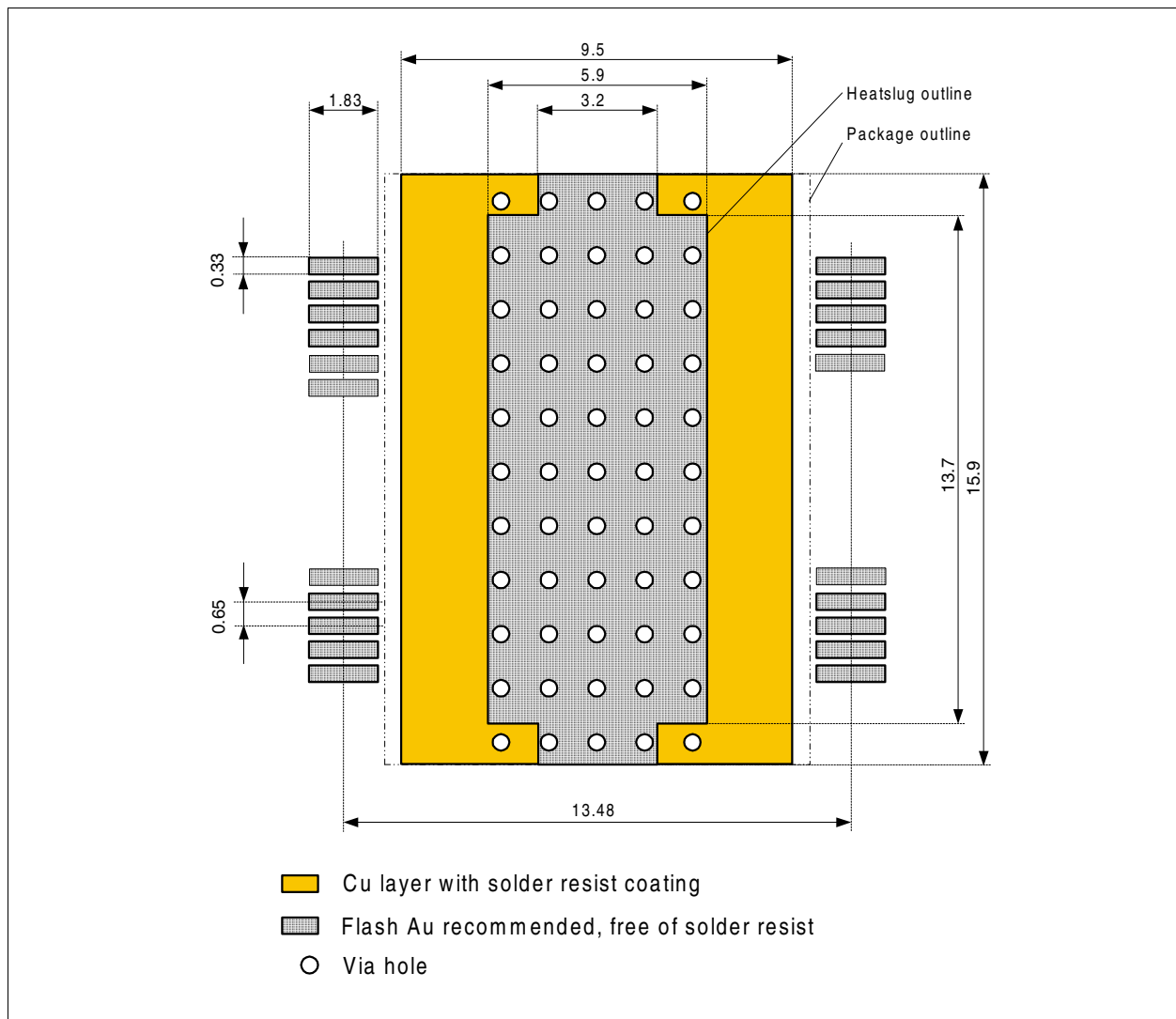


Figure 26 Footprint for PG-DSO-36-15

References

- [1] SLIC-E/-E2 / TSLIC-E (PEB 4265/-2 / PEB 4365) Application Note "Protection for SLIC-E / -E2 against Overvoltages and Overcurrents according to ITU-T K. 20/K.21/K.45" Rev. 1.0, 2004-06-29
- [2] VINETIC® Version 1.4 Prel. Application Note External Components Rev. 2.0, 2005-09-06
- [3] Recommendations for Printed Circuit Board Assembly of Infineon P(G)-VQFN Packages, Application Support, DS3, 2006-03-03

www.infineon.com

Published by Infineon Technologies AG