

# SLIC-DC

Ringling SLIC with Integrated DC/DC Converter

PEF 4268 T, PEF 4268 F



The ringling SLIC-DC with integrated DC/DC converter, is the latest addition to Infineon's family of SLIC products. The SLIC-DC provides cost optimized solutions for CPE applications and requires only a single power supply voltage. All POTS supply voltages are generated by the on-chip DC/DC converter using only a few external components.

Additional SLIC-DC features include a patented ring mode that significantly lowers power consumption of the chip, with a corresponding lower heat dissipation and total system power consumption. The SLIC-DC is also offered in two packages to provide maximum design flexibility.

In combination with Infineon's DuSLIC codec, the SLIC-DC can be used to create xDSL or ISDN CPEs. The SLIC-DC is also highly suited for Analog Telephone Adapter (ATA) and VoIP gateway solutions, when combined with Infineon's VINETIC analog voice processor and the ADM5120SP CPU.

## Applications

- Customer Premises Equipment (CPE)
- ISDN CPE
- xDSL CPE
- Analog Telephone Adapter
- VoIP Gateways
- Cable modems
- Small PABX

## Features

- Balanced ringling SLIC with integrated DC/DC converter
- Patented ring mode allows significant power reduction
- Uses robust technology based on Infineon's popular SLIC-E, PEB 4265
- New interface towards VINETIC-2CPE. Backward compatible to standard Infineon Codec-SLIC interface, known from SLIC-S, SLIC-E and SLIC-P
- Minimized external component count in order to enable high board density design
- DC/DC output voltage up to -150 V
- Single unregulated power supply voltage between 9 V and 40 V. All other voltages are generated internally.
- Up to 85 Vrms sinusoidal ringling
- Fully programmable DC feed characteristic
- Sensing of transversal line currents
- Supports Integrated Test and Diagnostic Function (ITDF), e.g. GR-909
- Synchronization of up to 8 SLIC-DC's
- Low-cost BOM

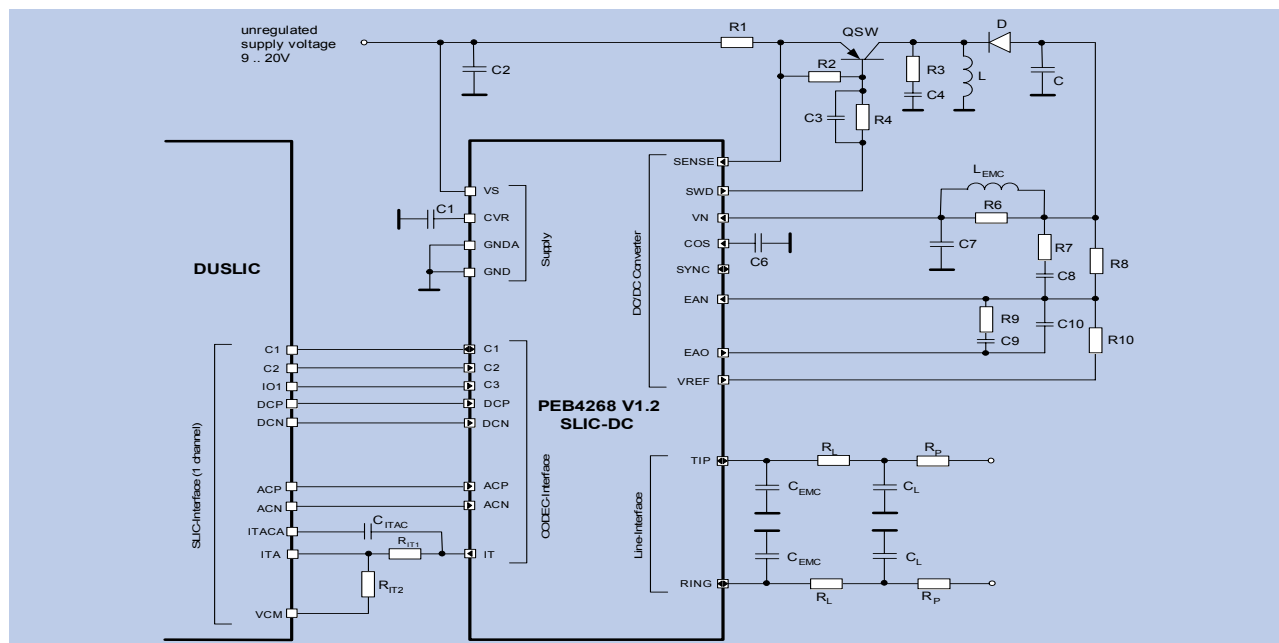
[www.infineon.com/products](http://www.infineon.com/products)

Wireline Communications



Never stop thinking.

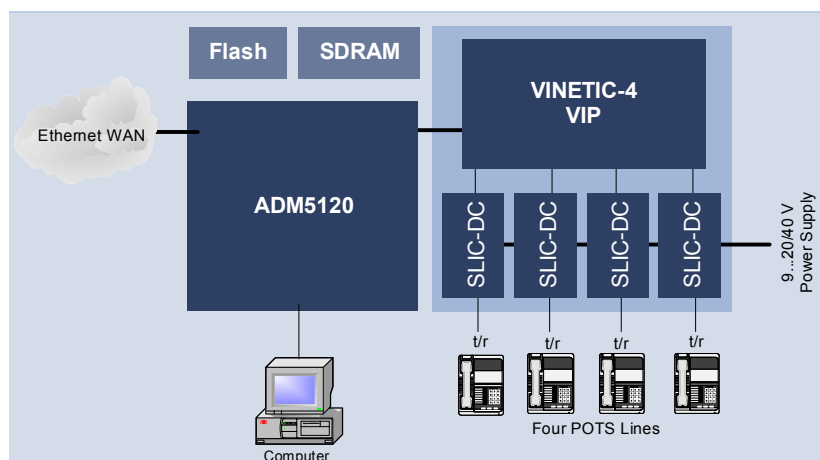
## SLIC-DC Block Diagram



## Product Summary

| Sales Code | Description  | Package     |
|------------|--|-------------|
| PEF 4268T  | SLIC-DC Subscriber Line Interface<br>Circuit with Integrated DC/DC Converter | P-DSO-24-8  |
| PEF 4268F  | SLIC-DC Subscriber Line Interface<br>Circuit with Integrated DC/DC Converter | P-TQFP-48-1 |

## SLIC-DC VoIP Application Example



How to reach us:

<http://www.infineon.com>

Published by  
Infineon Technologies AG,  
St.-Martin-Strasse 53,  
81669 München

© Infineon Technologies AG 2004.  
All Rights Reserved.

Template: pb\_tmplt\_wide\_fm/4

### Attention please!

The information herein is given to describe certain components and shall not be considered as a guarantee of characteristics.

Terms of delivery and rights to technical change reserved.

We hereby disclaim any and all warranties, including but not limited to warranties of non-infringement, regarding circuits, descriptions and charts stated herein.

### Information

For further information on technology, delivery terms and conditions and prices please contact your nearest Infineon Technologies Office.

### Warnings

Due to technical requirements components may contain dangerous substances. For information on the types in question please contact your nearest Infineon Technologies Office.

Infineon Technologies Components may only be used in life-support devices or systems with the express written approval of Infineon Technologies, if a failure of such components can reasonably be expected to cause the failure of that life-support device or system, or to affect the safety or effectiveness of that device or system. Life support devices or systems are intended to be implanted in the human body, or to support and/or maintain and sustain and/or protect human life. If they fail, it is reasonable to assume that the health of the user or other persons may be endangered.

Ordering No. B115-H8446-X-X-7600  
Printed in Germany  
PS 0604 KS