



# Cortina Systems® LXT9785 and LXT9785E Advanced 8-Port 10/100 Mbps PHY Transceivers

## Datasheet

---

The Cortina Systems® LXT9785 and LXT9785E are 8-port Fast Ethernet PHY Transceivers supporting IEEE 802.3 physical layer applications at 10 Mbps and 100 Mbps. These devices provide Serial/Source Synchronous Serial Media Independent Interfaces (SMII/SS-SMII) and Reduced Media Independent Interface (RMII) for switching and other independent port applications. The LXT9785 and LXT9785E are identical except for the IP telephony features included in the LXT9785E transceiver. The LXT9785E is an enhanced version of the LXT9785 that detects Data Terminal Equipment (DTE) requiring power from the switch over a CAT5 cable. The system uses the information collected by the LXT9785E to apply power if the DTE at the far end requires power over the cable, such as an IP telephone.

Each network port can provide a twisted-pair (TP) or Low-Voltage Positive Emitter Coupled Logic (LVPECL) interface. The twisted-pair interface supports 10 Mbps and 100 Mbps (10BASE-T and 100BASE-TX) Ethernet over twisted-pair. The LVPECL interface supports 100 Mbps (100BASE-FX) Ethernet over fiber-optic media.

The LXT9785/LXT9785E provides three discrete LED driver outputs for each port. The devices support both half-duplex and full-duplex operation at 10 Mbps and 100 Mbps and require only a single 2.5 V power supply.

## Applications

- Enterprise switches
- IP telephony switches
- Storage Area Networks
- Multi-port Network Interface Cards (NICs)

## Product Features

- Eight IEEE 802.3-compliant 10BASE-T or 100BASE-TX ports with integrated filters.
- 100BASE-FX fiber-optic capability on all ports.
- 2.5 V operation.
- Low power consumption; 250 mW per port typical.
- Multiple RMII or SMII/SS-SMII ports for independent PHY port operation.
- Auto MDI/MDIX crossover capability.
- Proprietary Optimal Signal Processing™ architecture improves SNR by 3 dB over ideal analog filters.
- Optimized for dual-high stacked RJ-45 applications.
- MDIO sectionalization into 2x4 or 1x8 configurations.
- Supports both auto-negotiation systems and legacy systems without auto-negotiation capability.
- Robust baseline wander correction.
- Configurable through the MDIO port or external control pins.
- JTAG boundary scan.
- 208-pin PQFP: LXT9785HC, LXT9785EHC, LXT9785HE.
- 241-ball BGA: LXT9785BC, LXT9785EBC.
- 196-ball BGA: LXT9785MBC (includes DTE detection similar to the LXT9785E)
- DTE detection for remote powering applications (LXT9785E and LXT9785MBC only).
- Extended temperature operation of -40 °C to +85 °C (LXT9785E only).

## Contents

|            |  |            |
|------------|--|------------|
| <b>1.0</b> | <b>Introduction.....</b>   | <b>18</b>  |
| 1.1        | What You Will Find in This Document .....  | 18         |
| 1.2        | Related Documents .....  | 18         |
| <b>2.0</b> | <b>Block Diagram .....</b>   | <b>19</b>  |
| <b>3.0</b> | <b>Pin/Ball Assignments and Signal Descriptions .....</b>  | <b>20</b>  |
| 3.1        | PQFP Pin Assignments .....   | 20         |
| 3.1.1      | PQFP Pin Assignments – RMII Configuration .....  | 20         |
| 3.1.2      | PQFP Pin Assignments – SMII Configuration.....   | 26         |
| 3.1.3      | PQFP Pin Assignments – SS-SMII Configuration.....  | 31         |
| 3.2        | PQFP Signal Descriptions .....   | 36         |
| 3.2.1      | Signal Name Conventions .....  | 36         |
| 3.2.2      | PQFP Signal Descriptions – RMII, SMII, and SS-SMII Configurations.....   | 36         |
| 3.3        | BGA23 Ball Assignments.....  | 51         |
| 3.3.1      | RMII BGA23 Ball List .....   | 52         |
| 3.3.2      | SMII BGA23 Ball List .....   | 61         |
| 3.3.3      | SS-SMII BGA23 Ball List .....  | 70         |
| 3.4        | BGA23 Signal Descriptions .....  | 79         |
| 3.4.1      | Signal Name Conventions .....  | 79         |
| 3.4.2      | Signal Descriptions – RMII, SMII, and SS-SMII Configurations.....  | 80         |
| 3.5        | BGA15 Ball Assignments.....  | 97         |
| 3.5.1      | BGA15 Ball List.....   | 98         |
| 3.6        | BGA15 Signal Descriptions .....  | 106        |
| 3.6.1      | Signal Name Conventions .....  | 106        |
| 3.6.2      | Signal Descriptions – SMII and SS-SMII Configurations .....  | 106        |
| <b>4.0</b> | <b>Functional Description.....</b>   | <b>113</b> |
| 4.1        | Introduction .....   | 113        |
| 4.1.1      | OSP™ Architecture .....  | 113        |
| 4.1.2      | Comprehensive Functionality .....  | 114        |
| 4.1.2.1    | Sectionalization.....  | 114        |
| 4.2        | Interface Descriptions .....   | 114        |
| 4.2.1      | 10/100 Network Interface.....  | 114        |
| 4.2.1.1    | Twisted-Pair Interface .....   | 115        |
| 4.2.1.2    | MDI Crossover (MDIX).....  | 116        |
| 4.2.1.3    | Fiber Interface.....   | 116        |
| 4.3        | Media Independent Interface (MII) Interfaces.....  | 116        |
| 4.3.1      | Global MII Mode Select .....   | 117        |
| 4.3.2      | Internal Loopback .....  | 117        |
| 4.3.3      | RMII Data Interface.....   | 118        |
| 4.3.4      | Serial Media Independent Interface (SMII) and Source Synchronous- Serial Media Independent Interface (SS-SMII) ..... | 118        |
| 4.3.4.1    | SMII Interface.....  | 118        |
| 4.3.4.2    | Source Synchronous-Serial Media Independent Interface .....  | 118        |
| 4.3.5      | Configuration Management Interface .....   | 118        |
| 4.3.6      | MII Isolate .....  | 118        |
| 4.3.7      | MDIO Management Interface .....  | 119        |
| 4.3.8      | MII Sectionalization.....  | 120        |

---

|         |  |     |
|---------|--|-----|
| 4.3.9   | MII Interrupts.....  | 120 |
| 4.3.10  | Global Hardware Control Interface .....  | 121 |
| 4.3.11  | FIFO Initial Fill Values.....  | 121 |
| 4.4     | Operating Requirements.....  | 122 |
| 4.4.1   | Power Requirements .....   | 122 |
| 4.4.2   | Clock/SYNC Requirements.....   | 122 |
| 4.4.2.1 | Reference Clock .....  | 122 |
| 4.4.2.2 | TxCLK Signal (SS-SMII only).....   | 122 |
| 4.4.2.3 | TxSYNC Signal (SMII/SS-SMII).....  | 122 |
| 4.4.2.4 | RxSYNC Signal (SS-SMII only) .....   | 122 |
| 4.4.2.5 | RxCLK Signal (SS-SMII Only) .....  | 123 |
| 4.5     | Initialization .....   | 123 |
| 4.5.1   | MDIO Control Mode.....   | 123 |
| 4.5.2   | Hardware Control Mode.....   | 123 |
| 4.5.3   | Power-Down Mode .....  | 124 |
| 4.5.3.1 | Global (Hardware) Power Down .....   | 125 |
| 4.5.3.2 | Port (Software) Power Down .....   | 125 |
| 4.5.4   | Reset .....  | 125 |
| 4.5.5   | Hardware Configuration Settings .....  | 126 |
| 4.6     | Link Establishment.....  | 126 |
| 4.6.1   | Auto-Negotiation .....   | 126 |
| 4.6.1.1 | Base Page Exchange .....   | 126 |
| 4.6.1.2 | Manual Next Page Exchange .....  | 126 |
| 4.6.1.3 | Controlling Auto-Negotiation .....   | 127 |
| 4.6.1.4 | Link Criteria.....   | 127 |
| 4.6.1.5 | Parallel Detection.....  | 127 |
| 4.6.1.6 | Reliable Link Establishment While Auto MDI/MDIX is Enabled in Forced Speed Mode..... | 128 |
| 4.7     | Serial MII Operation.....  | 128 |
| 4.7.1   | SMII Reference Clock.....  | 132 |
| 4.7.2   | TxSYNC Pulse (SMII/SS-SMII).....   | 132 |
| 4.7.3   | Transmit Data Stream.....  | 132 |
| 4.7.3.1 | Transmit Enable.....   | 132 |
| 4.7.3.2 | Transmit Error .....   | 132 |
| 4.7.4   | Receive Data Stream.....   | 133 |
| 4.7.4.1 | Carrier Sense.....   | 133 |
| 4.7.4.2 | Receive Data Valid .....   | 133 |
| 4.7.4.3 | Receive Error .....  | 133 |
| 4.7.4.4 | Receive Status Encoding.....   | 133 |
| 4.7.5   | Collision .....  | 133 |
| 4.7.6   | Source Synchronous-Serial Media Independent Interface .....                          | 134 |
| 4.8     | RMII Operation .....   | 137 |
| 4.8.1   | RMII Reference Clock.....  | 137 |
| 4.8.2   | Transmit Enable.....   | 138 |
| 4.8.3   | Carrier Sense & Data Valid.....  | 138 |
| 4.8.4   | Receive Error.....   | 138 |
| 4.8.5   | Out-of-Band Signaling .....  | 138 |
| 4.9     | 100 Mbps Operation .....   | 141 |
| 4.9.1   | 100BASE-X Network Operations .....   | 141 |
| 4.9.2   | 100BASE-X Protocol Sublayer Operations.....  | 141 |
| 4.9.2.1 | PCS Sublayer .....   | 141 |

---

|            |  |            |
|------------|--|------------|
| 4.9.3      | PMA Sublayer .....                                 | 142        |
| 4.9.3.1    | Link .....   | 143        |
| 4.9.3.2    | Link Failure Override .....                        | 144        |
| 4.9.3.3    | Carrier Sense/Data Valid (RMII) .....              | 144        |
| 4.9.3.4    | Carrier Sense (SMII) .....                         | 144        |
| 4.9.3.5    | Receive Data Valid (SMII) .....                    | 144        |
| 4.9.3.6    | Twisted-Pair PMD Sublayer .....                    | 144        |
| 4.9.3.7    | Fiber PMD Sublayer .....                           | 145        |
| 4.10       | 10 Mbps Operation .....                            | 146        |
| 4.10.1     | Preamble Handling .....                            | 146        |
| 4.10.2     | Dribble Bits .....                                 | 146        |
| 4.10.3     | Link Test .....                                    | 146        |
| 4.10.3.1   | Link Failure .....                                 | 147        |
| 4.10.4     | Jabber .....                                       | 147        |
| 4.11       | DTE Discovery Process .....                        | 147        |
| 4.11.1     | Definitions .....                                  | 148        |
| 4.11.2     | Interaction between Processor, MAC, and PHY .....  | 148        |
| 4.11.3     | Management Interface and Control .....             | 149        |
| 4.11.4     | DTE Discovery Process Flow .....                   | 150        |
| 4.11.5     | DTE Discovery Behavior .....                       | 151        |
| 4.12       | Monitoring Operations .....                        | 153        |
| 4.12.1     | Monitoring Auto-Negotiation .....                  | 153        |
| 4.12.2     | Per-Port LED Driver Functions .....                | 153        |
| 4.12.3     | Out-of-Band Signaling .....                        | 154        |
| 4.12.4     | Boundary Scan Interface .....                      | 155        |
| 4.12.5     | State Machine .....                                | 155        |
| 4.12.6     | Instruction Register .....                         | 155        |
| 4.12.7     | Boundary Scan Register .....                       | 156        |
| 4.13       | Cable Diagnostics Overview .....                   | 156        |
| 4.13.1     | Features .....                                     | 156        |
| 4.13.2     | Operation .....                                    | 157        |
| 4.13.2.1   | Short and Long Cable Testing Requirements .....    | 157        |
| 4.13.2.2   | Precision .....                                    | 157        |
| 4.13.3     | Implementation Considerations .....                | 157        |
| 4.13.4     | Basic Implementation .....                         | 158        |
| 4.14       | Link Hold-Off Overview .....                       | 159        |
| 4.14.1     | Features .....                                     | 159        |
| 4.14.2     | Operation .....                                    | 159        |
| <b>5.0</b> | <b>Application Information .....</b>               | <b>161</b> |
| 5.1        | Design Recommendations .....                       | 161        |
| 5.2        | General Design Guidelines .....                    | 161        |
| 5.2.1      | Power Supply Filtering .....                       | 161        |
| 5.2.2      | Power and Ground Plane Layout Considerations ..... | 162        |
| 5.2.2.1    | Chassis Ground .....                               | 162        |
| 5.2.3      | MII Terminations .....                             | 162        |
| 5.2.4      | Twisted-Pair Interface .....                       | 162        |
| 5.2.4.1    | Magnetic Requirements .....                        | 163        |
| 5.2.5      | The Fiber Interface .....                          | 163        |
| 5.2.6      | LED Circuit .....                                  | 164        |
| 5.3        | Typical Application Circuits .....                 | 165        |

---

|            |                                    |            |
|------------|------------------------------------|------------|
| <b>6.0</b> | <b>Test Specifications .....</b>   | <b>170</b> |
| <b>7.0</b> | <b>Register Definitions.....</b>   | <b>191</b> |
| <b>8.0</b> | <b>Package Specifications.....</b> | <b>212</b> |
|            | 8.1 Top Label Markings .....       | 217        |
| <b>9.0</b> | <b>Ordering Information.....</b>   | <b>219</b> |

## Figures

|    |   |     |
|----|---|-----|
| 1  | Block Diagram .....   | 19  |
| 2  | RMII 208-Pin PQFP Assignments .....   | 21  |
| 3  | SMII 208-Pin PQFP Assignments .....   | 26  |
| 4  | SS-SMII 208-Pin PQFP Assignments .....  | 31  |
| 5  | 241-Ball BGA23 Assignments (Top View) .....                                       | 51  |
| 6  | 196-Ball BGA15 Assignments (Top View) .....                                       | 97  |
| 7  | Interface Signals .....   | 115 |
| 8  | Internal Loopback .....   | 117 |
| 9  | Management Interface Read Frame Structure .....                                   | 119 |
| 10 | Management Interface Write Frame Structure .....                                  | 119 |
| 11 | Port Address Scheme .....   | 120 |
| 12 | Interrupt Logic .....   | 121 |
| 13 | Initialization Sequence .....   | 124 |
| 14 | Auto-Negotiation Operation .....  | 128 |
| 15 | Typical SMII Interface .....  | 130 |
| 16 | Typical SMII Quad Sectionalization .....  | 131 |
| 17 | 100 Mbps Serial MII Data Flow .....   | 132 |
| 18 | Serial MII Transmit Synchronization .....   | 132 |
| 19 | Serial MII Receive Synchronization .....  | 133 |
| 20 | Typical SS-SMII Interface .....   | 135 |
| 21 | Typical SS-SMII Quad Sectionalization .....                                       | 136 |
| 22 | SS-SMII Transmit Timing .....   | 137 |
| 23 | SS-SMII Receive Timing .....  | 137 |
| 24 | RMII Data Flow .....  | 138 |
| 25 | Typical RMII Interface .....  | 139 |
| 26 | Typical RMII Quad Sectionalization .....  | 140 |
| 27 | 100BASE-X Frame Format .....  | 141 |
| 28 | Protocol Sublayers .....  | 142 |
| 29 | Typical IP Telephone System Connection .....                                      | 147 |
| 30 | Cortina Systems® LXT9785E Negotiation Flow Chart .....                            | 152 |
| 31 | LED Pulse Stretching .....  | 154 |
| 32 | RMII Programmable Out-of-Band Signaling .....                                     | 155 |
| 33 | LED Circuit .....   | 164 |
| 34 | Power and Ground Supply Connections .....   | 165 |
| 35 | Typical Twisted-Pair Interface .....  | 166 |
| 36 | Recommended LXT9785/LXT9785E-to-3.3 V Fiber Transceiver Interface Circuitry ..... | 167 |
| 37 | Recommended LXT9785/LXT9785E-to-5 V Fiber Transceiver Interface Circuitry .....   | 168 |
| 38 | ON Semiconductor Triple PECL-to-LVPECL Translator .....                           | 169 |
| 39 | SMII - 100BASE-TX Receive Timing .....  | 174 |
| 40 | SMII - 100BASE-TX Transmit Timing .....   | 175 |
| 41 | SMII - 100BASE-FX Receive Timing .....  | 176 |
| 42 | SMII - 100BASE-FX Transmit Timing .....   | 176 |
| 43 | SMII - 10BASE-T Receive Timing .....  | 177 |
| 44 | SMII - 10BASE-T Transmit Timing .....   | 178 |
| 45 | SS-SMII - 100BASE-TX Receive Timing .....   | 179 |
| 46 | SS-SMII - 100BASE-TX Transmit Timing .....  | 180 |
| 47 | SS-SMII - 100BASE-FX Receive Timing .....   | 180 |
| 48 | SS-SMII - 100BASE-FX Transmit Timing .....  | 181 |

---

|    |   |     |
|----|---|-----|
| 49 | SS-SMII - 10BASE-T Receive Timing .....                                       | 182 |
| 50 | SS-SMII - 10BASE-T Transmit Timing .....                                      | 183 |
| 51 | RMII - 100BASE-TX Receive Timing.....   | 183 |
| 52 | RMII - 100BASE-TX Transmit Timing.....  | 184 |
| 53 | RMII - 100BASE-FX Receive Timing.....   | 185 |
| 54 | RMII - 100BASE-FX Transmit Timing.....  | 185 |
| 55 | RMII - 10BASE-T Receive Timing .....  | 186 |
| 56 | RMII - 10BASE-T Transmit Timing .....   | 187 |
| 57 | Auto-Negotiation and Fast Link Pulse Timing .....                             | 187 |
| 58 | Fast Link Pulse Timing .....  | 188 |
| 59 | MDIO Write Timing (MDIO Sourced by MAC) .....                                 | 188 |
| 60 | MDIO Read Timing (MDIO Sourced by PHY) .....                                  | 189 |
| 61 | Power-Up Timing.....  | 189 |
| 62 | RESET_L Recovery Timing.....  | 190 |
| 63 | PHY Identifier Bit Mapping .....  | 195 |
| 64 | 208-Pin PQFP Plastic Package Specification .....                              | 212 |
| 65 | 241-Ball BGA23 Package Specifications - Top/Side Views (LXT9785BC).....       | 213 |
| 66 | 241-Ball BGA23 Package Specifications - Bottom View (LXT9785BC) .....         | 214 |
| 67 | 196-Ball BGA15 Package Specs - Top/Side Views (LXT9785MBC).....               | 215 |
| 68 | 196-Ball BGA15 Package – Bottom View (LXT9785MBC) .....                       | 216 |
| 69 | Example of Top Marking Information Labeled as Cortina Systems, Inc. ....      | 217 |
| 70 | Example of Top Marking Information Labeled as Intel Corporation* .....        | 217 |
| 71 | Example of Top Marking Information Labeled as Level One Communications* ..... | 218 |
| 72 | Ordering Information - Sample .....   | 220 |

## Tables

|    |  |     |
|----|--|-----|
| 1  | Signal Type Descriptions .....   | 20  |
| 2  | RMII PQFP Pin List .....   | 22  |
| 3  | SMII PQFP Pin List.....  | 27  |
| 4  | SS-SMII PQFP Pin List.....   | 32  |
| 5  | RMII Signal Descriptions – PQFP .....  | 36  |
| 6  | SMII/SS-SMII Common Signal Descriptions – PQFP.....                                    | 39  |
| 7  | SMII Specific Signal Descriptions – PQFP .....   | 39  |
| 8  | SS-SMII Specific Signal Descriptions – PQFP .....                                      | 40  |
| 9  | MDIO Control Interface Signals – PQFP .....  | 41  |
| 10 | Signal Detect – PQFP .....   | 42  |
| 11 | Network Interface Signal Descriptions – PQFP .....                                     | 42  |
| 12 | JTAG Test Signal Descriptions – PQFP .....   | 43  |
| 13 | Miscellaneous Signal Descriptions – PQFP .....   | 43  |
| 14 | LED Signal Descriptions – PQFP .....   | 47  |
| 15 | Power Supply Signal Descriptions – PQFP .....  | 48  |
| 16 | Unused/Reserved Pins – PQFP .....  | 50  |
| 17 | Receive FIFO Depth Considerations .....  | 50  |
| 18 | RMII BGA23 Ball List in Alphanumeric Order by Signal Name .....                        | 52  |
| 19 | RMII BGA23 Ball List in Alphanumeric Order by Ball Location .....                      | 57  |
| 20 | SMII BGA23 Ball List in Alphanumeric Order by Signal Name.....                         | 61  |
| 21 | SMII BGA23 Ball List in Alphanumeric Order by Ball Location.....                       | 66  |
| 22 | SS-SMII BGA23 Ball List in Alphanumeric Order by Signal Name.....                      | 70  |
| 23 | SS-SMII BGA23 Ball List in Alphanumeric Order by Ball Location.....                    | 75  |
| 24 | RMII Signal Descriptions – BGA23.....  | 80  |
| 25 | SMII/SS-SMII Common Signal Descriptions – BGA23 .....                                  | 83  |
| 26 | SMII Specific Signal Descriptions – BGA23 .....  | 83  |
| 27 | SS-SMII Specific Signal Descriptions – BGA23 .....                                     | 84  |
| 28 | MDIO Control Interface Signals – BGA23 .....   | 85  |
| 29 | Signal Detect – BGA23.....   | 86  |
| 30 | Network Interface Signal Descriptions – BGA23 .....                                    | 86  |
| 31 | JTAG Test Signal Descriptions – BGA23 .....  | 87  |
| 32 | Miscellaneous Signal Descriptions – BGA23 .....  | 88  |
| 33 | LED Signal Descriptions – BGA23 .....  | 92  |
| 34 | Power Supply Signal Descriptions – BGA23 .....   | 93  |
| 35 | Unused/Reserved Pins – BGA23 .....   | 95  |
| 36 | Receive FIFO Depth Configurations.....   | 96  |
| 37 | LXT9785MBC BGA15 Ball List in Alphanumeric Order by Signal Name .....                  | 98  |
| 38 | LXT9785MBC BGA15 Ball List in Alphanumeric Order by Ball Location (SMII/SS-SMII) ..... | 102 |
| 39 | BGA15 Signal Descriptions .....  | 106 |
| 40 | MDIX Selection.....  | 116 |
| 41 | MII Mode Select.....   | 117 |
| 42 | Global Hardware Configuration Settings .....   | 126 |
| 43 | SMII Signal Summary.....   | 129 |
| 44 | RX Status Encoding Bit Definitions .....   | 134 |
| 45 | SS-SMII .....  | 134 |
| 46 | 4B/5B Coding .....   | 142 |
| 47 | DTE Terms .....  | 148 |
| 48 | Next Page Message #5 Code Word Definitions .....                                       | 151 |



|    |  |     |
|----|--|-----|
| 49 | BSR Mode of Operation .....  | 156 |
| 50 | Supported JTAG Instructions .....  | 156 |
| 51 | Magnetics Requirements.....  | 163 |
| 52 | Absolute Maximum Ratings.....  | 170 |
| 53 | Operating Conditions.....  | 170 |
| 54 | Digital I/O DC Electrical Characteristics (VCCIO = 2.5 V +/- 5%) .....     | 171 |
| 55 | Digital I/O DC Electrical Characteristics (VCCIO = 3.3 V +/- 5%) .....     | 172 |
| 56 | Digital I/O DC Electrical Characteristics – SD Pins .....                  | 172 |
| 57 | Required Clock Characteristics .....                                       | 172 |
| 58 | 100BASE-TX Transceiver Characteristics.....                                | 173 |
| 59 | 100BASE-FX Transceiver Characteristics.....                                | 173 |
| 60 | 10BASE-T Transceiver Characteristics .....                                 | 174 |
| 61 | SMII - 100BASE-TX Receive Timing Parameters .....                          | 175 |
| 62 | SMII - 100BASE-TX Transmit Timing Parameters .....                         | 175 |
| 63 | SMII - 100BASE-FX Receive Timing Parameters .....                          | 176 |
| 64 | SMII - 100BASE-FX Transmit Timing Parameters .....                         | 177 |
| 65 | SMII - 10BASE-T Receive Timing Parameters.....                             | 177 |
| 66 | SMII-10BASE-T Transmit Timing Parameters.....                              | 178 |
| 67 | SS-SMII - 100BASE-TX Receive Timing Parameters .....                       | 179 |
| 68 | SS-SMII - 100BASE-TX Transmit Timing.....                                  | 180 |
| 69 | SS-SMII - 100BASE-FX Receive Timing Parameters .....                       | 181 |
| 70 | SS-SMII - 100BASE-FX Transmit Timing Parameters .....                      | 181 |
| 71 | SS-SMII - 10BASE-T Receive Timing Parameters.....                          | 182 |
| 72 | SS-SMII - 10BASE-T Transmit Timing Parameters.....                         | 183 |
| 73 | RMII - 100BASE-TX Receive Timing Parameters .....                          | 184 |
| 74 | RMII - 100BASE-TX Transmit Timing Parameters .....                         | 184 |
| 75 | RMII - 100BASE-FX Receive Timing Parameters .....                          | 185 |
| 76 | RMII - 100BASE-FX Transmit Timing Parameters .....                         | 186 |
| 77 | RMII - 10BASE-T Receive Timing Parameters .....                            | 186 |
| 78 | RMII - 10BASE-T Transmit Timing Parameters .....                           | 187 |
| 79 | Auto-Negotiation and Fast Link Pulse Timing Parameters.....                | 188 |
| 80 | MDIO Timing Parameters.....  | 189 |
| 81 | Power-Up Timing Parameters .....   | 190 |
| 82 | RESET_L Recovery Timing Parameters .....                                   | 190 |
| 83 | Register Set.....  | 191 |
| 84 | Control Register (Address 0) .....   | 192 |
| 85 | Status Register (Address 1) .....  | 193 |
| 86 | PHY Identification Register 1 (Address 2) .....                            | 194 |
| 87 | PHY Identification Register 2 (Address 3) .....                            | 194 |
| 88 | Auto-Negotiation Advertisement Register (Address 4).....                   | 195 |
| 89 | Auto-Negotiation Link Partner Base Page Ability Register (Address 5) ..... | 196 |
| 90 | Auto-Negotiation Expansion Register (Address 6) .....                      | 197 |
| 91 | Auto-Negotiation Next Page Transmit Register (Address 7) .....             | 198 |
| 92 | Auto-Negotiation Link Partner Next Page Receive Register (Address 8).....  | 198 |
| 93 | Port Configuration Register (Address 16, Hex 10) .....                     | 199 |
| 94 | Quick Status Register (Address 17, Hex 11).....                            | 200 |
| 95 | Interrupt Enable Register (Address 18, Hex 12).....                        | 201 |
| 96 | Interrupt Status Register (Address 19, Hex 13).....                        | 203 |
| 97 | LED Configuration Register (Address 20, Hex 14).....                       | 204 |
| 98 | Receive Error Count Register (Address 21, Hex 15).....                     | 205 |

---

|     |  |     |
|-----|--|-----|
| 99  | RMII Out-of-Band Signaling Register (Address 25, Hex 19) ..... | 206 |
| 100 | Trim Enable Register (Address 27, Hex 1B) .....                | 207 |
| 101 | Cable Diagnostics Register (Address 29, Hex 1D).....           | 209 |
| 102 | Register Bit Map .....   | 210 |
| 103 | 241-Ball BGA23 Package Dimensions .....                        | 214 |
| 104 | 196-Ball BGA15 Package Dimensions (LXT9785MBC ) .....          | 216 |
| 105 | Product Information .....                                      | 219 |

## Revision History

|   |
|---|
| <b>Revision 11.0</b><br><b>Revision Date: 16 April 2007</b> |
| First release of this document from Cortina Systems, Inc.   |

| <b>Revision Number: 010</b><br><b>Revision Date: 30-Mar-2006</b> |   |
|--|---|
| Page   | Description   |
| page 48  | Modified signal description text for VCCPECL in <a href="#">Table 15, Power Supply Signal Descriptions – PQFP</a> .   |
| page 93  | Modified signal description text for VCCPECL in <a href="#">Table 34, Power Supply Signal Descriptions – BGA23</a> .  |
| page 123   | Added note under <a href="#">Section 4.4.2.5, RxCLK Signal (SS-SMII Only)</a> .   |
| page 126   | Modified CFG (1,2,3) settings for Register bit 0.8 when set to “1” in <a href="#">Table 42, Global Hardware Configuration Settings</a> .                                    |
| page 192   | Added table note 6 to Register bit 0.14 (Loopback) in <a href="#">Table 84, Control Register (Address 0)</a> .  |
| page 195   | Modified table note 6 (for Register bit 4.13) in <a href="#">Table 88, Auto-Negotiation Advertisement Register (Address 4)</a> .  |
| page 200   | Modified note in Register bit 17.11 (Collision Status) in <a href="#">Table 94, Quick Status Register (Address 17, Hex 11)</a> .  |
| page 217   | Added <a href="#">Section 8.1, Top Label Markings</a> .   |
| page 219   | Modified <a href="#">Section 9.0, Ordering Information</a> ( <a href="#">Table 105, Product Information</a> and <a href="#">Figure 72, Ordering Information - Sample</a> ). |

| <b>Revision Number: 009</b><br><b>Revision Date: April 30, 2004</b> |   |
|---|---|
| Page  | Description   |
| 1   | Modified 196-Ball BGA and DTE Detection bullets under Product Features.   |
| 43  | Added table note 3 (regarding LINKHOLD) to <a href="#">Table 13, Miscellaneous Signal Descriptions – PQFP, on page 43</a> .   |
| 88  | Added table note 3 (regarding LINKHOLD) to <a href="#">Table 32, Miscellaneous Signal Descriptions – BGA23, on page 88</a> .  |
| 53  | Modified Table 18 “RMII BGA23 Ball List in Alphanumeric Order by Signal Name” through Table 23 “SS-SMII BGA23 Ball List in Alphanumeric Order by Ball Location” for ball, type, and reference page corrections. |
| 229   | Modified Table 104 “Product Information” [added new packaging information].   |
| 230   | Modified Figure 69 “Ordering Information - Sample” [changed Internal Package Designator for B and E, and added the GD and definition under Package Designator].   |

| <b>Revision Number: 008</b><br><b>Revision Date: April 15, 2004</b> |   |
|---|---|
| Page  | Description   |
| All   | Globally added LEDn_3 to BGA15.   |
| 229   | Added Figure 68 “Cortina Systems® LXT9785MBC 196-Ball BGA15 Package – Bottom View”. |

| Revision Number: 007<br>Revision Date: August 28, 2003 |   |
|--|---|
| Page   | Description   |
| 21   | Modified Figure 2 "Cortina Systems® LXT9785 and Cortina Systems® LXT9785E RMII 208-Pin PQFP Assignments".   |
| 22   | Modified Table 2 "Cortina Systems® LXT9785/LXT9785E RMII PQFP Pin List".  |
| 26   | Modified Figure 3 "Cortina Systems® LXT9785/LXT9785E SMII 208-Pin PQFP Assignments".  |
| 27   | Modified Table 3 "Cortina Systems® LXT9785/LXT9785E SMII PQFP Pin List".  |
| 31   | Modified Figure 4 "Cortina Systems® LXT9785/LXT9785E SS-SMII 208-Pin PQFP Assignments".   |
| 32   | Modified Table 4 "Cortina Systems® LXT9785/LXT9785 SS-SMII PQFP Pin List".  |
| 36   | Modified Table 5 "Cortina Systems® LXT9785/LXT9785E RMII Signal Descriptions – PQFP".   |
| 40   | Modified Table 8 "Cortina Systems® LXT9785/LXT9785E SS-SMII Specific Signal Descriptions – PQFP".   |
| 43   | Modified Table 13 "Cortina Systems® LXT9785/LXT9785E Miscellaneous Signal Descriptions – PQFP".   |
| 50   | Modified Table 16 "Cortina Systems® LXT9785/LXT9785E Unused/Reserved Pins – PQFP".  |
| 51   | Replaced old Figures 5, 6, and 7 with Figure 5 "Cortina Systems® LXT9785/LXT9785E 241-Ball BGA23 Assignments (Top View)".   |
| 52   | Modified Table 18 "Cortina Systems® LXT9785/LXT9785E RMII BGA23 Ball List in Alphanumeric Order by Signal Name".  |
| 57   | Modified Table 19 "Cortina Systems® LXT9785/LXT9785E RMII BGA23 Ball List in Alphanumeric Order by Ball Location".  |
| 62   | Modified Table 20 "Cortina Systems® LXT9785/LXT9785E SMII BGA23 Ball List in Alphanumeric Order by Signal Name".  |
| 67   | Modified Table 21 "Cortina Systems® LXT9785/LXT9785E SMII BGA23 Ball List in Alphanumeric Order by Ball Location".  |
| 72   | Modified Table 22 "Cortina Systems® LXT9785/LXT9785E SS-SMII BGA23 Ball List in Alphanumeric Order by Signal Name".   |
| 77   | Modified Table 23 "Cortina Systems® LXT9785/LXT9785E SS-SMII BGA23 Ball List in Alphanumeric Order by Ball Location".   |
| 82   | Modified Table 23 "Cortina Systems® LXT9785/LXT9785E SS-SMII BGA23 Ball List in Alphanumeric Order by Ball Location".   |
| 86   | Modified Table 27 "Cortina Systems® LXT9785/LXT9785E SS-SMII Specific Signal Descriptions – BGA23".   |
| 90   | Modified Table 32 "Cortina Systems® LXT9785/LXT9785E Miscellaneous Signal Descriptions – BGA23".  |
| 97   | Modified Table 35 "Cortina Systems® LXT9785/LXT9785E Unused/Reserved Pins – BGA23".   |
| 98   | Added Section 3.5, "BGA15 Ball Assignments" (including Figure 6 "Cortina Systems® LXT9785MBC 196-Ball BGA15 Assignments (Top View)", Table 37 "Cortina Systems® LXT9785MBC BGA15 Ball List in Alphanumeric Order by Signal Name" through Table 39 "Cortina Systems® LXT9785 BGA15 Signal Descriptions". |
| 116  | Added second paragraph under Section 4.1, "Introduction".   |
| 117  | Added note under Section 4.1.2.1, "Sectionalization".   |
| 119  | Added note under Table 40 "Cortina Systems® LXT9785/LXT9785E MDIX Selection".   |
| 119  | Added note under Section 4.3, "Media Independent Interface (MII) Interfaces".   |
| 120  | Added note to Table 41 "Cortina Systems® LXT9785/LXT9785E MII Mode Select".   |
| 120  | Modified/added text under Section 4.3.2, "Internal Loopback".   |
| 121  | Modified text under Section 4.3.6, "MII Isolate".   |

| Revision Number: 007<br>Revision Date: August 28, 2003 |   |
|--|---|
| Page   | Description   |
| 121  | Section 4.3.7, "MDIO Management Interface":<br>Added note under second paragraph.<br>Added last paragraph.                                      |
| 123  | Added note under Section 4.3.8, "MII Sectionalization".   |
| 124  | Added new Section 4.3.11, "FIFO Initial Fill Values"  |
| 125  | Modified paragraph three under Section 4.4.1, "Power Requirements".   |
| 127  | Added notes under second and last paragraphs under Section 4.5.3, "Power-Down Mode".  |
| 128  | Modified last bullet under Section 4.5.3.1, "Global (Hardware) Power Down".   |
| 128  | Added last paragraph to Section 4.5.4, "Reset".   |
| 129  | Modified Table 42 "Cortina Systems® LXT9785/LXT9785E Global Hardware Configuration Settings".   |
| 130  | Change heading and modified last line under Section 4.6.1.2, "Manual Next Page Exchange".   |
| 130  | Section 4.6.1.4, "Link Criteria":<br>Changed scrambler to descrambler in first line.<br>Modified second paragraph.<br>Added two new paragraphs. |
| 131  | Added second paragraph under Section 4.6.1.5, "Parallel Detection".   |
| 131  | Modified paragraphs under Section 4.6.1.6, "Reliable Link Establishment While Auto MDI/MDIX is Enabled in Forced Speed Mode".                   |
| 136  | Changed "1110" to "0101" under Section 4.7.4.3, "Receive Error".  |
| 141  | Added note under first paragraph of Section 4.8, "RMII Operation"   |
| 148  | Changed "asynchronously" to "synchronously" in second paragraph under Section 4.9.3.3, "Carrier Sense/Data Valid (RMII)".                       |
| 148  | Modified last sentence in first paragraph under Section 4.9.3.4, "Carrier Sense (SMII)".  |
| 149  | Modified paragraph under Section 4.9.3.6.3, "Polarity Correction".  |
| 149  | Added note under Section 4.9.3.7, "Fiber PMD Sublayer".   |
| 149  | Added second paragraph under Section 4.9.3.7.1, "Far End Fault Indications".  |
| 150  | Modified/added text under Section 4.10.1, "Preamble Handling".  |
| 151  | Modified text under Section 4.10.4, "Jabber".   |
| 152  | Modified first paragraph under Section 4.11, "DTE Discovery Process".   |
| 153  | Modified Item 1 of Section 4.11.2, "Interaction between Processor, MAC, and PHY".   |
| 154  | Modified second paragraph under Section 4.11.4, "DTE Discovery Process Flow".   |
| 155  | Added Section 4.11.5, "DTE Discovery Behavior"  |
| 157  | Added BGA15 information into first paragraph under Section 4.12.2, "Per-Port LED Driver Functions".   |
| 158  | Added last sentence to first paragraph and note under first paragraph under Section 4.12.3, "Out-of-Band Signaling".                            |
| 160  | Added Section 4.13, "Cable Diagnostics Overview".   |
| 161  | Modified/added text under Section 4.13.3, "Implementation Considerations".  |
| 162  | Added Section 4.14, "Link Hold-Off Overview".   |
| 173  | Modified Table 52 "Cortina Systems® LXT9785/LXT9785E Operating Conditions"  |
| 176  | Modified Table 58 "Cortina Systems® LXT9785/LXT9785E 100BASE-FX Transceiver Characteristics"  |

| Revision Number: 007<br>Revision Date: August 28, 2003 |   |
|--|---|
| Page   | Description   |
| 178-195  | Added note to Table 60 "Cortina Systems® LXT9785/LXT9785E SMII - 100BASE-TX Receive Timing Parameters" through Table 77 "Cortina Systems® LXT9785/LXT9785E RMII - 10BASE-T Transmit Timing Parameters". |
| 178  | Added table note to Table 60 "Cortina Systems® LXT9785/LXT9785E SMII - 100BASE-TX Receive Timing Parameters".   |
| 184  | Added table note to Table 66 "Cortina Systems® LXT9785/LXT9785E SS-SMII - 100BASE-TX Receive Timing Parameters".  |
| 190  | Added table note to Table 72 "Cortina Systems® LXT9785/LXT9785E RMII - 100BASE-TX Receive Timing Parameters"  |
| 198  | Added software power-down and note to Table 80 "Cortina Systems® LXT9785/LXT9785E Power-Up Timing Parameters".  |
| 199  | Modified paragraphs and added last paragraph under Section 7.0, "Register Definitions".   |
| 199  | Modified Table 82 "Cortina Systems® LXT9785/LXT9785E Register Set".   |
| 200  | Modified Table 83 "Control Register (Address 0)".   |
| 201  | Modified Table 84 "Status Register (Address 1)".  |
| 203  | Modified Table 85 "PHY Identification Register 1 (Address 2)".  |
| 203  | Modified Table 86 "PHY Identification Register 2 (Address 3)".  |
| 204  | Modified Table 87 "Auto-Negotiation Advertisement Register (Address 4)".  |
| 205  | Modified Table 88 "Auto-Negotiation Link Partner Base Page Ability Register (Address 5)".   |
| 206  | Modified Table 89 "Auto-Negotiation Expansion Register (Address 6)".  |
| 206  | Modified Table 90 "Auto-Negotiation Next Page Transmit Register (Address 7)".   |
| 206  | Modified Table 91 "Auto-Negotiation Link Partner Next Page Receive Register (Address 8)".   |
| 207  | Modified Table 92 "Port Configuration Register (Address 16, Hex 10)". (Register bits 16.6, 16.4:3)  |
| 209  | Modified Table 93 "Quick Status Register (Address 17, Hex 11)". (Register bit 17.8)   |
| 211  | Modified Table 94 "Interrupt Enable Register (Address 18, Hex 12)"  |
| 212  | Modified Table 95 "Interrupt Status Register (Address 19, Hex 13)"  |
| 213  | Modified Table 96 "LED Configuration Register (Address 20, Hex 14)"   |
| 214  | Modified Table 97 "Receive Error Count Register (Address 21, Hex 15)".  |
| 215  | Modified Table 98 "RMII Out-of-Band Signaling Register (Address 25, Hex 19)".   |
| 216  | Modified Table 99 "Trim Enable Register (Address 27, Hex 1B)". (Register bit 27.6)  |
| 217  | Added Table 100 "Cable Diagnostics Register (Address 29, Hex 1D)".  |
| 219  | Modified Table 101 "Cortina Systems® LXT9785/LXT9785E Register Bit Map".  |
| 226  | Added Figure 102 "Cortina Systems® LXT9785MBC 196-Ball BGA15 Package Dimensions"  |
| 227  | Modified table and figure under Section 9.0, "Ordering Information".  |

| Revision Number: 006 (INTERNAL RELEASE)<br>Revision Date: June 10, 2003 |   |
|---|---|
| Page  | Description   |
| 1   | Changed "pseudo-ECL (PECL)" to "Low Voltage Positive Emitter Coupled Logic (LVPECL)" in the second paragraph, front page.                           |
| 36  | Modified Table 5 "Cortina Systems® LXT9785/LXT9785E RMI Signal Descriptions – PQFP". Added last sentence to RXER0 through RXER7 signal description. |
| 42  | Modified Table 10 "Cortina Systems® LXT9785/LXT9785E Signal Detect – PQFP".   |
| 42  | Modified Table 11 "Cortina Systems® LXT9785/LXT9785E Network Interface Signal Descriptions – PQFP",   |
| 43  | Modified Table 13 "Cortina Systems® LXT9785/LXT9785E Miscellaneous Signal Descriptions – PQFP". Added note to PREASEL signal description.           |
| 116   | Modified Section 4.1, "Introduction". Changed "Pseudo-ECL (PECL)" to "Low Voltage PECL (LVPECL)" in the first paragraph, second sentence.           |
| 119   | Replace text under Section 4.2.1.3, "Fiber Interface".  |
| 120   | Modified Section 4.3.2, "Internal Loopback".  |
| 130   | Modified last sentence under Section 4.6.1.4, "Link Criteria".  |
| 131   | Modified text under Section 4.6.1.5, "Parallel Detection". Added second paragraph.  |
| 136   | Modified text under Section 4.7.4.3, "Receive Error".   |
| 145   | Changed "PECL" to "LVPECL" in third paragraph, first sentence under Section 4.9.1, "100BASE-X Network Operations".                                  |
| 146   | Modified Figure 28 "Cortina Systems® LXT9785/LXT9785E Protocol Sublayers".  |
| 148   | Modified Section 4.9.3.3, "Carrier Sense/Data Valid (RMII)". Changed "asynchronously" to "synchronously."   |
| 148   | Modified text under Section 4.9.3.4, "Carrier Sense (SMII)". Revised last sentence in first paragraph.  |
| 149   | Modified paragraph under Section 4.9.3.6.3, "Polarity Correction".  |
| 149   | Replaced text under Section 4.9.3.7, "Fiber PMD Sublayer".  |
| 150   | Modified Section 4.10.1, "Preamble Handling". Added text to last paragraph.   |
| 151   | Modified first sentence under Section 4.10.4, "Jabber".   |
| 152   | Modified first paragraph of Section 4.11, "DTE Discovery Process".  |
| 153   | Modified Item 1 of Section 4.11.2, "Interaction between Processor, MAC, and PHY".   |
| 158   | Modified Section 4.12.3, "Out-of-Band Signaling". Added sentence to end of first paragraph.   |
| 166   | Replaced text under Section 5.2.5, "The Fiber Interface".   |
| 170   | Replaced Figure 36 "Recommended Cortina Systems® LXT9785/LXT9785E-to-3.3 V Fiber Transceiver Interface Circuitry".                                  |
| 171   | Replaced Figure 37 "Recommended Cortina Systems® LXT9785/LXT9785E-to-5 V Fiber Transceiver Interface Circuitry".                                    |
| 173   | Modified Table 52 "Cortina Systems® LXT9785/LXT9785E Operating Conditions".   |
| 174   | Modified Table 53 "Cortina Systems® LXT9785/LXT9785E Digital I/O DC Electrical Characteristics (VCCIO = 2.5 V +/- 5%)".                             |
| 175   | Modified Table 54 "Cortina Systems® LXT9785/LXT9785E Digital I/O DC Electrical Characteristics (VCCIO = 3.3 V +/- 5%)".                             |
| 175   | Added Table 55 "Cortina Systems® LXT9785/LXT9785E Digital I/O DC Electrical Characteristics – SD Pins".   |
| 176   | Modified Table 58 "Cortina Systems® LXT9785/LXT9785E 100BASE-FX Transceiver Characteristics".   |

| Revision Number: 006 (INTERNAL RELEASE)<br>Revision Date: June 10, 2003 |  |
|---|--|
| Page  | Description  |
| 200   | Modified Table 83 "Control Register (Address 0)".  |
| 201   | Modified Table 84 "Status Register (Address 1)".   |
| 204   | Modified Table 87 "Auto-Negotiation Advertisement Register (Address 4)".                                       |
| 205   | Modified Table 88 "Auto-Negotiation Link Partner Base Page Ability Register (Address 5)".                      |
| 207   | Modified Table 91 "Auto-Negotiation Link Partner Next Page Receive Register (Address 8)".                      |
| 207   | Modified Table 92 "Port Configuration Register (Address 16, Hex 10)".  |
| 209   | Modified Table 93 "Quick Status Register (Address 17, Hex 11)".  |
| 211   | Modified Table 94 "Interrupt Enable Register (Address 18, Hex 12)".  |
| 212   | Modified Table 95 "Interrupt Status Register (Address 19, Hex 13)". Changed all references of RO/SC to R/LH.   |
| 214   | Modified Table 97 "Receive Error Count Register (Address 21, Hex 15)".   |
| 215   | Modified Table 98 "RMII Out-of-Band Signaling Register (Address 25, Hex 19)". Added note to Register bit 25.0. |
| 216   | Modified Table 99 "Trim Enable Register (Address 27, Hex 1B)".   |
| 227   | Modified Table 103 "Product Information".  |

| Revision Number: 005<br>Revision Date: January 2002 |  |
|---|--|
| Page  | Description  |
| 1   | Added bullet to Product Features   |
| 49  | Modified Table 12 "Cortina Systems® LXT9785/LXT9785E Miscellaneous Signal Descriptions" (Added FIFOSEL1 and FIFOSEL0)  |
| 70  | Added Section 2.6.1.6, "Reliable Link Establishment While Auto MDI/MDIX is Enabled in Forced Speed Mode"               |
| 109   | Modified Figure 38 "Recommended Cortina Systems® LXT9785/LXT9785E-to-3.3 V Fiber Transceiver Interface Circuitry"      |
| 110   | Added Figure 39 "Recommended Cortina Systems® LXT9785/LXT9785E-to-5 V Fiber Transceiver Interface Circuitry"           |
| 111   | Added Figure 40 "ON Semiconductor Triple PECL-to-LVPECL Translator"  |
| 112   | Modified Table 28 "Absolute Maximum Ratings"   |
| 112   | Modified Table 29 "Operating Conditions"   |
| 114   | Modified Table 31 "Digital I/O DC Electrical Characteristics (VCCIO = 3.3 V +/- 5%)"(Output low voltage SD pins - Max) |
| 129   | Modified Figure 53 "RMII - 100BASE-TX Receive Timing" and Table 49 "RMII - 100BASE-TX Receive Timing Parameters"       |
| 131   | Modified Figure 55 "RMII - 100BASE-FX Receive Timing" and Table 51 "RMII - 100BASE-FX Receive Timing Parameters"       |
| 133   | Modified Figure 57 "RMII - 10BASE-T Receive Timing" and Table 53 "RMII - 10BASE-T Receive Timing Parameters"           |



| Revision Number: 005<br>Revision Date: January 2002 |   |
|---|---|
| Page  | Description   |
| 146   | Modified Table 69 "Port Configuration Register (Address 16, Hex 10)" (Bits 16.5 and 16.6) |
| 148   | Modified Table 71 "Interrupt Enable Register (Address 18, Hex 12)"                        |
| 168   | Added product ordering table and diagram.   |

| Revision Number: 003<br>Revision Date: April 2001 |   |
|---|---|
| Page  | Description   |
| 1   | Modified and added new language to front page.  |
| 61  | Reset: Modified language in first paragraph.  |
| 85  | Added new section on DTE discovery.   |
| 93  | Supported JTAG Instructions table: replaced long hit streams with hex.  |
| 97  | LED Circuit: Modified paragraph language.   |
| 97  | LED Circuit diagram: Modified diagram.  |
| 99  | Replaced Typical Fiber Interface diagram.   |
| 102   | Required Clock Characteristics table: Replaced SMII Input frequency and RMII Input frequency symbol with "f". |
| 122   | Auto-Negotiation and Fast Link Pulse Timing Parameters: FLP burst width under Typ = 2.                        |
| 126   | Control Register table: Modified table and table notes.   |
| 128   | PHY Identification Register 2 (Address 3): Modified table.  |
| 128   | PHY Identifier Bit Mapping: Modified diagram.   |
| 131   | Auto-Negotiation Expansion: Modified table and table notes.   |
| 133   | Port Configuration Register table: Modified table and table notes.  |
| 140   | Trim Enable Register: Modified table (DTE Discovery).   |
| 141   | Modified Register Bit Map table.  |

## 1.0 Introduction

This document contains information on the Cortina Systems® LXT9785 and LXT9785E Advanced 8-Port 10/100 Mbps PHY Transceivers.

### 1.1 What You Will Find in This Document

This document contains the following sections:

- [Section 2.0, Block Diagram, on page 19](#)
- [Section 3.0, Pin/Ball Assignments and Signal Descriptions, on page 20](#)  
This section contains pin/ball assignments and signal descriptions for the following:
  - [Section 3.1, PQFP Pin Assignments, on page 20](#)
  - [Section 3.2, PQFP Signal Descriptions, on page 36](#)
  - [Section 3.3, BGA23 Ball Assignments, on page 51](#)
  - [Section 3.4, BGA23 Signal Descriptions, on page 79](#)
  - [Section 3.5, BGA15 Ball Assignments, on page 97](#)
  - [Section 3.6, BGA15 Signal Descriptions, on page 106](#)
- [Section 4.0, Functional Description, on page 113](#)
- [Section 5.0, Application Information, on page 161](#)
- [Section 6.0, Test Specifications, on page 170](#)
- [Section 7.0, Register Definitions, on page 191](#)
- [Section 8.0, Package Specifications, on page 212](#)
- [Section 9.0, Ordering Information, on page 219](#)

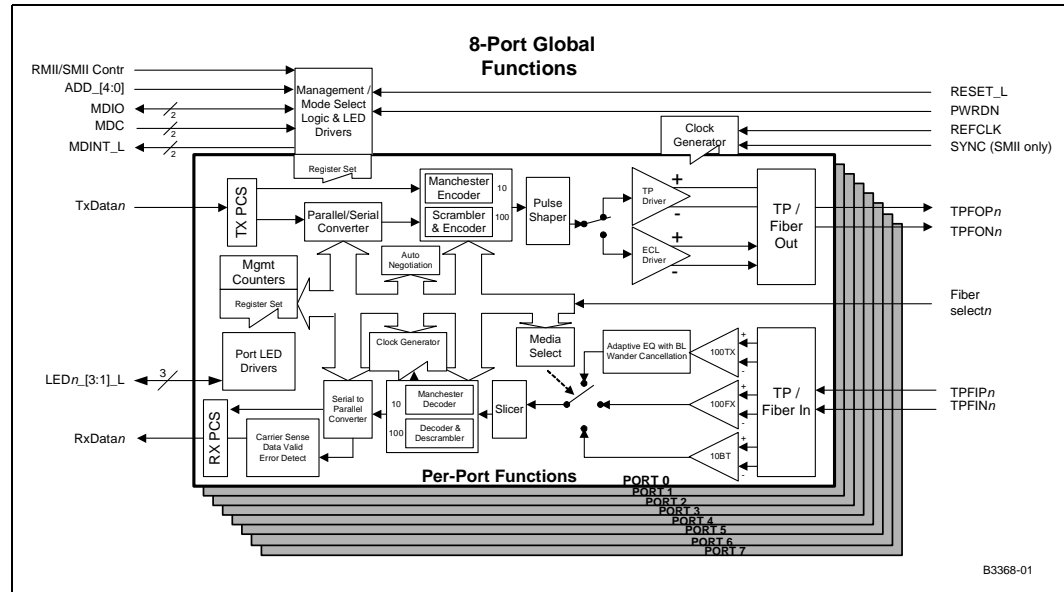
### 1.2 Related Documents

| Document  | Document Number |
|---|-----------------|
| Cortina Systems® LXT9785/LXT9785E Design and Layout Guide   | 249509          |
| Cortina Systems® LXT9785/LXT9785E Specification Update  | 249357          |
| Cortina Systems® LXT9785/LXT9785E 100BASE-FX Fiber Optic Transceivers: Connecting a PECL/LVPECL Interface | 250781          |
| IP Telephony and DTE Discovery Using Cortina Systems® Ethernet PHYs                                       | 249611          |

## 2.0 Block Diagram

Figure 1 provides the LXT9785/LXT9785E block diagram.

Figure 1 Block Diagram



## 3.0 Pin/Ball Assignments and Signal Descriptions

### 3.1 PQFP Pin Assignments

The following sections show PQFP pin assignments and signal descriptions:

- [Section 3.1.1, PQFP Pin Assignments – RMII Configuration, on page 20](#)
- [Section 3.1.2, PQFP Pin Assignments – SMII Configuration, on page 26](#)
- [Section 3.1.3, PQFP Pin Assignments – SS-SMII Configuration, on page 31](#)

Table 1 lists the acronyms and descriptions for signal types.

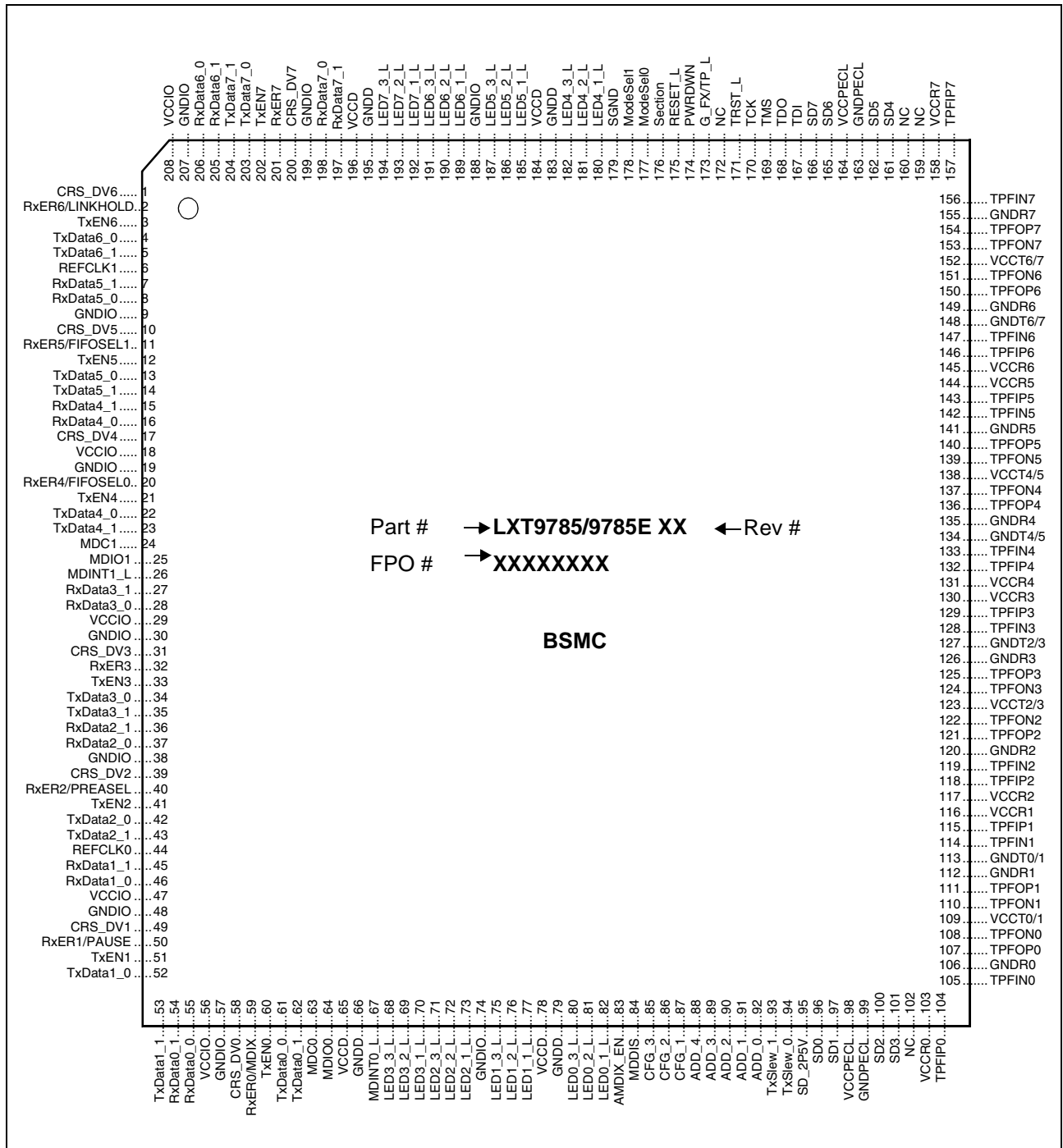
**Table 1** Signal Type Descriptions

| Acronym | Description              |
|---------|--------------------------|
| AI      | Analog Input             |
| AO      | Analog Output            |
| I       | Input                    |
| O       | Output                   |
| OD      | Open Drain Output        |
| ST      | Schmitt Triggered Input  |
| TS      | Three-State-able Output  |
| SL      | Slew-rate Limited Output |
| IP      | Weak Internal Pull-Up    |
| ID      | Weak Internal Pull-Down  |

#### 3.1.1 PQFP Pin Assignments – RMII Configuration

[Figure 2](#) and [Table 2, RMII PQFP Pin List, on page 22](#) provide LXT9785/LXT9785E RMII PQFP pin assignments.

Figure 2 RMI I 208-Pin PQFP Assignments



**Table 2 RMI I PQFP Pin List**

| Pin | Symbol              | Type                 | Reference for Full Description |
|-----|---------------------|----------------------|--------------------------------|
| 1   | CRS_DV6             | O, TS, SL            | Table 5                        |
| 2   | RxER6/<br>LINKHOLD  | O, TS, SL, ID, I, ST | Table 5<br>Table 13            |
| 3   | TxEN6               | I, ID                | Table 5                        |
| 4   | TxData6_0           | I, ID                | Table 5                        |
| 5   | TxData6_1           | I, ID                | Table 5                        |
| 6   | REFCLK1             | I                    | Table 5                        |
| 7   | RxData5_1           | O, TS, ID            | Table 5                        |
| 8   | RxData5_0           | O, TS                | Table 5                        |
| 9   | GNDIO               | –                    | Table 15                       |
| 10  | CRS_DV5             | O, TS, SL            | Table 5                        |
| 11  | RxER5 /<br>FIFOSEL1 | O, TS, SL, ID, I, ST | Table 5<br>Table 13            |
| 12  | TxEN5               | I, ID                | Table 5                        |
| 13  | TxData5_0           | I, ID                | Table 5                        |
| 14  | TxData5_1           | I, ID                | Table 5                        |
| 15  | RxData4_1           | O, TS, ID            | Table 5                        |
| 16  | RxData4_0           | O, TS                | Table 5                        |
| 17  | CRS_DV4             | O, TS, SL            | Table 5                        |
| 18  | VCCIO               | –                    | Table 15                       |
| 19  | GNDIO               | –                    | Table 15                       |
| 20  | RxER4 /<br>FIFOSEL0 | O, TS, SL, ID, I, ST | Table 5<br>Table 13            |
| 21  | TxEN4               | I, ID                | Table 5                        |
| 22  | TxData4_0           | I, ID                | Table 5                        |
| 23  | TxData4_1           | I, ID                | Table 5                        |
| 24  | MDC1                | I, ST, ID            | Table 8                        |
| 25  | MDIO1               | I/O, TS, SL, IP      | Table 8                        |
| 26  | MDINT1_L            | OD, TS, SL, IP       | Table 8                        |
| 27  | RxData3_1           | O, TS, ID            | Table 5                        |
| 28  | RxData3_0           | O, TS                | Table 5                        |
| 29  | VCCIO               | –                    | Table 15                       |

| Pin | Symbol             | Type                 | Reference for Full Description |
|-----|--------------------|----------------------|--------------------------------|
| 30  | GNDIO              | –                    | Table 15                       |
| 31  | CRS_DV3            | O, TS, SL            | Table 5                        |
| 32  | RxER3              | O, TS, SL, ID        | Table 5                        |
| 33  | TxEN3              | I, ID                | Table 5                        |
| 34  | TxData3_0          | I, ID                | Table 5                        |
| 35  | TxData3_1          | I, ID                | Table 5                        |
| 36  | RxData2_1          | O, TS, ID            | Table 5                        |
| 37  | RxData2_0          | O, TS                | Table 5                        |
| 38  | GNDIO              | –                    | Table 15                       |
| 39  | CRS_DV2            | O, TS, SL            | Table 5                        |
| 40  | RxER2<br>(PREASEL) | O, TS, SL, ID, I, ST | Table 5<br>Table 13            |
| 41  | TxEN2              | I, ID                | Table 5                        |
| 42  | TxData2_0          | I, ID                | Table 5                        |
| 43  | TxData2_1          | I, ID                | Table 5                        |
| 44  | REFCLK0            | I                    | Table 5                        |
| 45  | RxData1_1          | O, TS, ID            | Table 5                        |
| 46  | RxData1_0          | O, TS                | Table 5                        |
| 47  | VCCIO              | –                    | Table 15                       |
| 48  | GNDIO              | –                    | Table 15                       |
| 49  | CRS_DV1            | O, TS, SL            | Table 5                        |
| 50  | RxER1/<br>PAUSE    | O, TS, SL, ID, I, ST | Table 5                        |
| 51  | TxEN1              | I, ID                | Table 5                        |
| 52  | TxData1_0          | I, ID                | Table 5                        |
| 53  | TxData1_1          | I, ID                | Table 5                        |
| 54  | RxData0_1          | O, TS, ID            | Table 5                        |
| 55  | RxData0_0          | O, TS                | Table 5                        |
| 56  | VCCIO              | –                    | Table 15                       |
| 57  | GNDIO              | –                    | Table 15                       |
| 58  | CRS_DV0            | O, TS, SL            | Table 5                        |

| Pin | Symbol         | Type                       | Reference for Full Description |
|-----|----------------|----------------------------|--------------------------------|
| 59  | RxER0/<br>MDIX | O, TS,<br>SL, ID,<br>I, ST | Table 5                        |
| 60  | TxEN0          | I, ID                      | Table 5                        |
| 61  | TxData0_0      | I, ID                      | Table 5                        |
| 62  | TxData0_1      | I, ID                      | Table 5                        |
| 63  | MDC0           | I, ST, ID                  | Table 8                        |
| 64  | MDIO0          | I/O, TS,<br>SL, IP         | Table 8                        |
| 65  | VCCD           | –                          | Table 15                       |
| 66  | GNDD           | –                          | Table 15                       |
| 67  | MDINT0_L       | OD, TS,<br>SL, IP          | Table 8                        |
| 68  | LED3_3_L       | OD, TS,<br>SO, IP          | Table 14                       |
| 69  | LED3_2_L       | OD, TS,<br>SL, IP          | Table 14                       |
| 70  | LED3_1_L       | OD, TS,<br>SL, IP          | Table 14                       |
| 71  | LED2_3_L       | OD, TS,<br>SL, IP          | Table 14                       |
| 72  | LED2_2_L       | OD, TS,<br>SL, IP          | Table 14                       |
| 73  | LED2_1_L       | OD, TS,<br>SL, IP          | Table 14                       |
| 74  | GNDIO          | –                          | Table 15                       |
| 75  | LED1_3_L       | OD, TS,<br>SL, IP          | Table 14                       |
| 76  | LED1_2_L       | OD, TS,<br>SL, IP          | Table 14                       |
| 77  | LED1_1_L       | OD, TS,<br>SL, IP          | Table 14                       |
| 78  | VCCD           | –                          | Table 15                       |
| 79  | GNDD           | –                          | Table 15                       |
| 80  | LED0_3_L       | OD, TS,<br>SL, IP          | Table 14                       |
| 81  | LED0_2_L       | OD, TS,<br>SL, IP          | Table 14                       |
| 82  | LED0_1_L       | OD, TS,<br>SL, IP          | Table 14                       |
| 83  | AMDIX_EN       | I, ST, IP                  | Table 13                       |
| 84  | MDDIS          | I, ST, ID                  | Table 9                        |
| 85  | CFG_3          | I, ST, ID                  | Table 13                       |
| 86  | CFG_2          | I, ST, ID                  | Table 13                       |

| Pin | Symbol   | Type      | Reference for Full Description |
|-----|----------|-----------|--------------------------------|
| 87  | CFG_1    | I, ST, ID | Table 13                       |
| 88  | ADD_4    | I, ST, ID | Table 13                       |
| 89  | ADD_3    | I, ST, ID | Table 13                       |
| 90  | ADD_2    | I, ST, ID | Table 13                       |
| 91  | ADD_1    | I, ST, ID | Table 13                       |
| 92  | ADD_0    | I, ST, ID | Table 13                       |
| 93  | TxSLEW_1 | I, ST, ID | Table 13                       |
| 94  | TxSLEW_0 | I, ST, ID | Table 13                       |
| 95  | SD_2P5V  | I, ST, ID | Table 10                       |
| 96  | SD0      | I         | Table 10                       |
| 97  | SD1      | I         | Table 10                       |
| 98  | VCCPECL  | –         | Table 15                       |
| 99  | GNDPECL  | –         | Table 15                       |
| 100 | SD2      | I         | Table 10                       |
| 101 | SD3      | I         | Table 10                       |
| 102 | NC       | –         | Table 17                       |
| 103 | VCCR0    | –         | Table 15                       |
| 104 | TPFIPO   | AO/AI     | Table 11                       |
| 105 | TPFIN0   | AO/AI     | Table 11                       |
| 106 | GNDR0    | –         | Table 15                       |
| 107 | TPFOP0   | AO/AI     | Table 11                       |
| 108 | TPFON0   | AO/AI     | Table 11                       |
| 109 | VCCT0/1  | –         | Table 15                       |
| 110 | TPFON1   | AO/AI     | Table 11                       |
| 111 | TPFOP1   | AO/AI     | Table 11                       |
| 112 | GNDR1    | –         | Table 15                       |
| 113 | GNDR0/1  | –         | Table 15                       |
| 114 | TPFIN1   | AO/AI     | Table 11                       |
| 115 | TPFIP1   | AO/AI     | Table 11                       |
| 116 | VCCR1    | –         | Table 15                       |
| 117 | VCCR2    | –         | Table 15                       |
| 118 | TPFIP2   | AO/AI     | Table 11                       |
| 119 | TPFIN2   | AO/AI     | Table 11                       |
| 120 | GNDR2    | –         | Table 15                       |
| 121 | TPFOP2   | AO/AI     | Table 11                       |
| 122 | TPFON2   | AO/AI     | Table 11                       |
| 123 | VCCT2/3  | –         | Table 15                       |
| 124 | TPFON3   | AO/AI     | Table 11                       |

| Pin | Symbol  | Type  | Reference for Full Description |
|-----|---------|-------|--------------------------------|
| 125 | TPFOP3  | AO/AI | Table 11                       |
| 126 | GNDR3   | –     | Table 15                       |
| 127 | GNDT2/3 | –     | Table 15                       |
| 128 | TPFIN3  | AO/AI | Table 11                       |
| 129 | TPFIP3  | AO/AI | Table 11                       |
| 130 | VCCR3   | –     | Table 15                       |
| 131 | VCCR4   | –     | Table 15                       |
| 132 | TPFIP4  | AO/AI | Table 11                       |
| 133 | TPFIN4  | AO/AI | Table 11                       |
| 134 | GNDT4/5 | –     | Table 15                       |
| 135 | GNDR4   | –     | Table 15                       |
| 136 | TPFOP4  | AO/AI | Table 11                       |
| 137 | TPFON4  | AO/AI | Table 11                       |
| 138 | VCCT4/5 | –     | Table 15                       |
| 139 | TPFON5  | AO/AI | Table 11                       |
| 140 | TPFOP5  | AO/AI | Table 11                       |
| 141 | GNDR5   | –     | Table 15                       |
| 142 | TPFIN5  | AO/AI | Table 11                       |
| 143 | TPFIP5  | AO/AI | Table 11                       |
| 144 | VCCR5   | –     | Table 15                       |
| 145 | VCCR6   | –     | Table 15                       |
| 146 | TPFIP6  | AO/AI | Table 11                       |
| 147 | TPFIN6  | AO/AI | Table 11                       |
| 148 | GNDT6/7 | –     | Table 15                       |
| 149 | GNDR6   | –     | Table 15                       |
| 150 | TPFOP6  | AO/AI | Table 11                       |
| 151 | TPFON6  | AO/AI | Table 11                       |
| 152 | VCCT6/7 | –     | Table 15                       |
| 153 | TPFON7  | AO/AI | Table 11                       |
| 154 | TPFOP7  | AO/AI | Table 11                       |
| 155 | GNDR7   | –     | Table 15                       |
| 156 | TPFIN7  | AO/AI | Table 11                       |
| 157 | TPFIP7  | AO/AI | Table 11                       |
| 158 | VCCR7   | –     | Table 15                       |
| 159 | NC      | –     | Table 17                       |
| 160 | NC      | –     | Table 17                       |
| 161 | SD4     | I     | Table 10                       |
| 162 | SD5     | I     | Table 10                       |

| Pin | Symbol    | Type           | Reference for Full Description |
|-----|-----------|----------------|--------------------------------|
| 163 | GNDPECL   | –              | Table 15                       |
| 164 | VCCPECL   | –              | Table 15                       |
| 165 | SD6       | I              | Table 10                       |
| 166 | SD7       | I              | Table 10                       |
| 167 | TDI       | I, ST, IP      | Table 12                       |
| 168 | TDO       | O, TS          | Table 12                       |
| 169 | TMS       | I, ST, IP      | Table 12                       |
| 170 | TCK       | I, ST, ID      | Table 12                       |
| 171 | TRST_L    | I, ST, IP      | Table 12                       |
| 172 | NC        | –              | Table 17                       |
| 173 | G_FX/TP_L | I, ST, ID      | Table 13                       |
| 174 | PWRDWN    | I, ST, ID      | Table 13                       |
| 175 | RESET_L   | I, ST, IP      | Table 13                       |
| 176 | SECTION   | I, ST, ID      | Table 13                       |
| 177 | ModeSel0  | I, ST, ID      | Table 13                       |
| 178 | ModeSel1  | I, ST, ID      | Table 13                       |
| 179 | SGND      | –              | Table 15                       |
| 180 | LED4_1_L  | OD, TS, SL, IP | Table 14                       |
| 181 | LED4_2_L  | OD, TS, SL, IP | Table 14                       |
| 182 | LED4_3_L  | OD, TS, SL, IP | Table 14                       |
| 183 | GNDD      | –              | Table 15                       |
| 184 | VCCD      | –              | Table 15                       |
| 185 | LED5_1_L  | OD, TS, SL, IP | Table 14                       |
| 186 | LED5_2_L  | OD, TS, SL, IP | Table 14                       |
| 187 | LED5_3_L  | OD, TS, SL, IP | Table 14                       |
| 188 | GNDIO     | –              | Table 15                       |
| 189 | LED6_1_L  | OD, TS, SL, IP | Table 14                       |
| 190 | LED6_2_L  | OD, TS, SL, IP | Table 14                       |
| 191 | LED6_3_L  | OD, TS, SL, IP | Table 14                       |
| 192 | LED7_1_L  | OD, TS, SL, IP | Table 14                       |
| 193 | LED7_2_L  | OD, TS, SL, IP | Table 14                       |

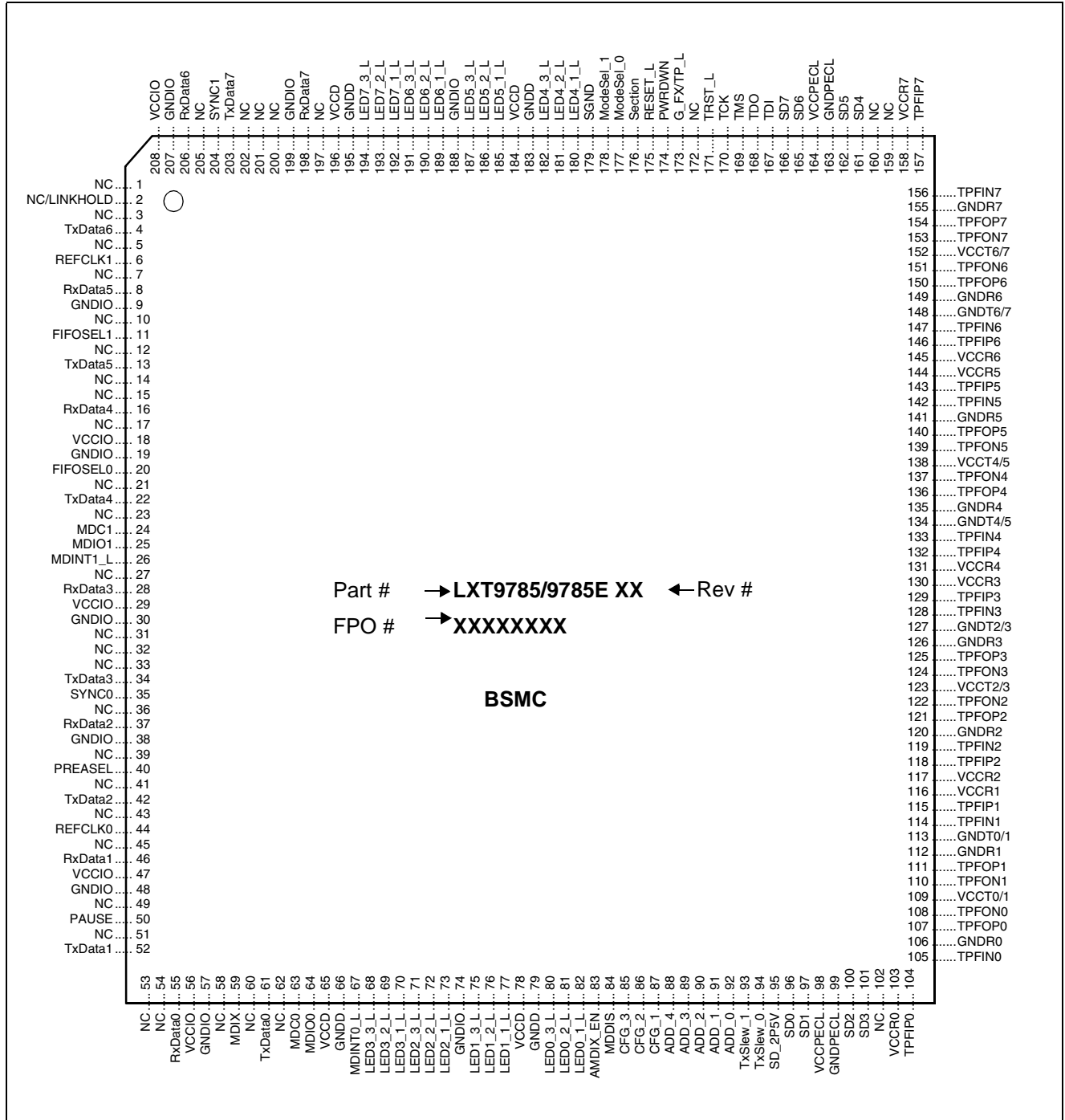


| Pin | Symbol    | Type           | Reference for Full Description |
|-----|-----------|----------------|--------------------------------|
| 194 | LED7_3_L  | OD, TS, SL, IP | Table 5                        |
| 195 | GNDD      | –              | Table 15                       |
| 196 | VCCD      | –              | Table 15                       |
| 197 | RxData7_1 | O, TS, ID      | Table 5                        |
| 198 | RxData7_0 | O, TS          | Table 5                        |
| 199 | GNDIO     | –              | Table 15                       |
| 200 | CRS_DV7   | O, TS, SL      | Table 5                        |
| 201 | RxER7     | O, TS, SL, ID  | Table 5                        |
| 202 | TxEN7     | I, ID          | Table 5                        |
| 203 | TxData7_0 | I, ID          | Table 5                        |
| 204 | TxData7_1 | I, ID          | Table 5                        |
| 205 | RxData6_1 | O, TS, ID      | Table 5                        |
| 206 | RxData6_0 | O, TS          | Table 5                        |
| 207 | GNDIO     | –              | Table 15                       |
| 208 | VCCIO     | –              | Table 15                       |

### 3.1.2 PQFP Pin Assignments – SMI I Configuration

Figure 3 and Table 3, *SMII PQFP Pin List*, on page 27 provide the LXT9785/LXT9785E SMI I PQFP pin assignments.

Figure 3 SMI I 208-Pin PQFP Assignments



**Table 3 SMI I PQFP Pin List**

| Pin | Symbol          | Type <sup>1</sup>    | Reference for Full Description |
|-----|-----------------|----------------------|--------------------------------|
| 1   | NC              | –                    | Table 16                       |
| 2   | NC/<br>LINKHOLD | I, ID,               | Table 16<br>Table 13           |
| 3   | NC              | –                    | Table 16                       |
| 4   | TxDat6          | I, ID                | Table 6                        |
| 5   | NC              | –                    | Table 16                       |
| 6   | REFCLK1         | I                    | Table 5                        |
| 7   | NC              | –                    | Table 16                       |
| 8   | RxDat5          | O, TS                | Table 6                        |
| 9   | GNDIO           | –                    | Table 15                       |
| 10  | NC              | –                    | Table 16                       |
| 11  | FIFOSEL1        | I, ID,<br>ST         | Table 13                       |
| 12  | NC              | –                    | Table 16                       |
| 13  | TxDat5          | I, ID                | Table 6                        |
| 14  | NC              | –                    | Table 16                       |
| 15  | NC              | –                    | Table 16                       |
| 16  | RxDat4          | O, TS                | Table 6                        |
| 17  | NC              | –                    | Table 16                       |
| 18  | VCCIO           | –                    | Table 15                       |
| 19  | GNDIO           | –                    | Table 15                       |
| 20  | FIFOSEL0        | I, ID,<br>ST         | Table 13                       |
| 21  | NC              | I, ID                | Table 16                       |
| 22  | TxDat4          | I, ID                | Table 6                        |
| 23  | NC              | –                    | Table 16                       |
| 24  | MDC1            | I, ST, ID            | Table 9                        |
| 25  | MDIO1           | I/O, TS,<br>SL, IP   | Table 9                        |
| 26  | MDINT1_L        | OD,<br>TS, SL,<br>IP | Table 9                        |
| 27  | NC              | –                    | Table 16                       |
| 28  | RxDat3          | O, TS                | Table 6                        |
| 29  | VCCIO           | –                    | Table 15                       |
| 30  | GNDIO           | –                    | Table 15                       |
| 31  | NC              | –                    | Table 16                       |
| 32  | NC              | –                    | Table 16                       |
| 33  | NC              | –                    | Table 16                       |
| 34  | TxDat3          | I, ID                | Table 6                        |

| Pin | Symbol   | Type <sup>1</sup>    | Reference for Full Description |
|-----|----------|----------------------|--------------------------------|
| 35  | SYNC0    | I, ID                | Table 7                        |
| 36  | NC       | –                    | Table 16                       |
| 37  | RxDat2   | O, TS                | Table 6                        |
| 38  | GNDIO    | –                    | Table 15                       |
| 39  | NC       | –                    | Table 16                       |
| 40  | PREASEL  | I, ID,<br>ST         | Table 13                       |
| 41  | NC       | –                    | Table 16                       |
| 42  | TxDat2   | I, ID                | Table 6                        |
| 43  | NC       | –                    | Table 16                       |
| 44  | REFCLK0  | I                    | Table 5                        |
| 45  | NC       | –                    | Table 16                       |
| 46  | RxDat1   | O, TS                | Table 6                        |
| 47  | VCCIO    | –                    | Table 15                       |
| 48  | GNDIO    | –                    | Table 15                       |
| 49  | NC       | –                    | Table 16                       |
| 50  | PAUSE    | I, ID,<br>ST         | Table 13                       |
| 51  | NC       | –                    | Table 16                       |
| 52  | TxDat1   | I, ID                | Table 6                        |
| 53  | NC       | –                    | Table 16                       |
| 54  | NC       | –                    | Table 16                       |
| 55  | RxDat0   | O, TS                | Table 6                        |
| 56  | VCCIO    | –                    | Table 15                       |
| 57  | GNDIO    | –                    | Table 15                       |
| 58  | NC       | –                    | Table 16                       |
| 59  | MDIX     | I, ID,<br>ST         | Table 13                       |
| 60  | NC       | –                    | Table 16                       |
| 61  | TxDat0   | I, ID                | Table 6                        |
| 62  | NC       | –                    | Table 16                       |
| 63  | MDC0     | I, ST, ID            | Table 9                        |
| 64  | MDIO0    | I/O, TS,<br>SL, IP   | Table 9                        |
| 65  | VCCD     | –                    | Table 15                       |
| 66  | GNDD     | –                    | Table 15                       |
| 67  | MDINT0_L | OD,<br>TS, SL,<br>IP | Table 9                        |

| Pin | Symbol   | Type <sup>1</sup> | Reference for Full Description |
|-----|----------|-------------------|--------------------------------|
| 68  | LED3_3_L | OD, TS, SO, IP    | Table 14                       |
| 69  | LED3_2_L | OD, TS, SL, IP    | Table 14                       |
| 70  | LED3_1_L | OD, TS, SL, IP    | Table 14                       |
| 71  | LED2_3_L | OD, TS, SL, IP    | Table 14                       |
| 72  | LED2_2_L | OD, TS, SL, IP    | Table 14                       |
| 73  | LED2_1_L | OD, TS, SL, IP    | Table 14                       |
| 74  | GNDIO    | –                 | Table 15                       |
| 75  | LED1_3_L | OD, TS, SL, IP    | Table 14                       |
| 76  | LED1_2_L | OD, TS, SL, IP    | Table 14                       |
| 77  | LED1_1_L | OD, TS, SL, IP    | Table 14                       |
| 78  | VCCD     | –                 | Table 15                       |
| 79  | GNDD     | –                 | Table 15                       |
| 80  | LED0_3_L | OD, TS, SL, IP    | Table 14                       |
| 81  | LED0_2_L | OD, TS, SL, IP    | Table 14                       |
| 82  | LED0_1_L | OD, TS, SL, IP    | Table 14                       |
| 83  | AMDIX_EN | I, ST, IP         | Table 13                       |
| 84  | MDDIS    | I, ST, ID         | Table 8                        |
| 85  | CFG_3    | I, ST, ID         | Table 13                       |
| 86  | CFG_2    | I, ST, ID         | Table 13                       |
| 87  | CFG_1    | I, ST, ID         | Table 13                       |
| 88  | ADD_4    | I, ST, ID         | Table 13                       |
| 89  | ADD_3    | I, ST, ID         | Table 13                       |
| 90  | ADD_2    | I, ST, ID         | Table 13                       |
| 91  | ADD_1    | I, ST, ID         | Table 13                       |

| Pin | Symbol   | Type <sup>1</sup> | Reference for Full Description |
|-----|----------|-------------------|--------------------------------|
| 92  | ADD_0    | I, ST, ID         | Table 13                       |
| 93  | TxSLEW_1 | I, ST, ID         | Table 13                       |
| 94  | TxSLEW_0 | I, ST, ID         | Table 13                       |
| 95  | SD_2P5V  | I, ST, ID         | Table 10                       |
| 96  | SD0      | I                 | Table 10                       |
| 97  | SD1      | I                 | Table 10                       |
| 98  | VCCPECL  | –                 | Table 15                       |
| 99  | GNDPECL  | –                 | Table 15                       |
| 100 | SD2      | I                 | Table 10                       |
| 101 | SD3      | I                 | Table 10                       |
| 102 | NC       | –                 | Table 17                       |
| 103 | VCCR0    | –                 | Table 15                       |
| 104 | TPFIP0   | AI/AO             | Table 11                       |
| 105 | TPFIN0   | AI/AO             | Table 11                       |
| 106 | GNDR0    | –                 | Table 15                       |
| 107 | TPFOP0   | AO/AI             | Table 11                       |
| 108 | TPFON0   | AO/AI             | Table 11                       |
| 109 | VCCT0/1  | –                 | Table 15                       |
| 110 | TPFON1   | AO/AI             | Table 11                       |
| 111 | TPFOP1   | AO/AI             | Table 11                       |
| 112 | GNDR1    | –                 | Table 15                       |
| 113 | GNDR0/1  | –                 | Table 15                       |
| 114 | TPFIN1   | AI/AO             | Table 11                       |
| 115 | TPFIP1   | AI/AO             | Table 11                       |
| 116 | VCCR1    | –                 | Table 15                       |
| 117 | VCCR2    | –                 | Table 15                       |
| 118 | TPFIP2   | AI/AO             | Table 11                       |
| 119 | TPFIN2   | AI/AO             | Table 11                       |
| 120 | GNDR2    | –                 | Table 15                       |
| 121 | TPFOP2   | AO/AI             | Table 11                       |
| 122 | TPFON2   | AO/AI             | Table 11                       |
| 123 | VCCT2/3  | –                 | Table 15                       |
| 124 | TPFON3   | AO/AI             | Table 11                       |
| 125 | TPFOP3   | AO/AI             | Table 11                       |
| 126 | GNDR3    | –                 | Table 15                       |
| 127 | GNDR2/3  | –                 | Table 15                       |
| 128 | TPFIN3   | AI/AO             | Table 11                       |
| 129 | TPFIP3   | AI/AO             | Table 11                       |

| Pin | Symbol  | Type <sup>1</sup> | Reference for Full Description |
|-----|---------|-------------------|--------------------------------|
| 130 | VCCR3   | –                 | Table 15                       |
| 131 | VCCR4   | –                 | Table 15                       |
| 132 | TPFIP4  | AI/AO             | Table 11                       |
| 133 | TPFIN4  | AI/AO             | Table 11                       |
| 134 | GNDT4/5 | –                 | Table 15                       |
| 135 | GNDR4   | –                 | Table 15                       |
| 136 | TPFOP4  | AO/AI             | Table 11                       |
| 137 | TPFON4  | AO/AI             | Table 11                       |
| 138 | VCCT4/5 | –                 | Table 15                       |
| 139 | TPFON5  | AO/AI             | Table 11                       |
| 140 | TPFOP5  | AO/AI             | Table 11                       |
| 141 | GNDR5   | –                 | Table 15                       |
| 142 | TPFIN5  | AI/AO             | Table 11                       |
| 143 | TPFIP5  | AI/AO             | Table 11                       |
| 144 | VCCR5   | –                 | Table 15                       |
| 145 | VCCR6   | –                 | Table 15                       |
| 146 | TPFIP6  | AI/AO             | Table 11                       |
| 147 | TPFIN6  | AI/AO             | Table 11                       |
| 148 | GNDT6/7 | –                 | Table 15                       |
| 149 | GNDR6   | –                 | Table 15                       |
| 150 | TPFOP6  | AO/AI             | Table 11                       |
| 151 | TPFON6  | AO/AI             | Table 11                       |
| 152 | VCCT6/7 | –                 | Table 15                       |
| 153 | TPFON7  | AO/AI             | Table 11                       |
| 154 | TPFOP7  | AO/AI             | Table 11                       |
| 155 | GNDR7   | –                 | Table 15                       |
| 156 | TPFIN7  | AI/AO             | Table 11                       |
| 157 | TPFIP7  | AI/AO             | Table 11                       |
| 158 | VCCR7   | –                 | Table 15                       |
| 159 | NC      | –                 | Table 17                       |
| 160 | NC      | –                 | Table 17                       |
| 161 | SD4     | I                 | Table 10                       |
| 162 | SD5     | I                 | Table 10                       |
| 163 | GNDPECL | –                 | Table 15                       |
| 164 | VCCPECL | –                 | Table 15                       |
| 165 | SD6     | I                 | Table 10                       |
| 166 | SD7     | I                 | Table 10                       |
| 167 | TDI     | I, ST, IP         | Table 12                       |

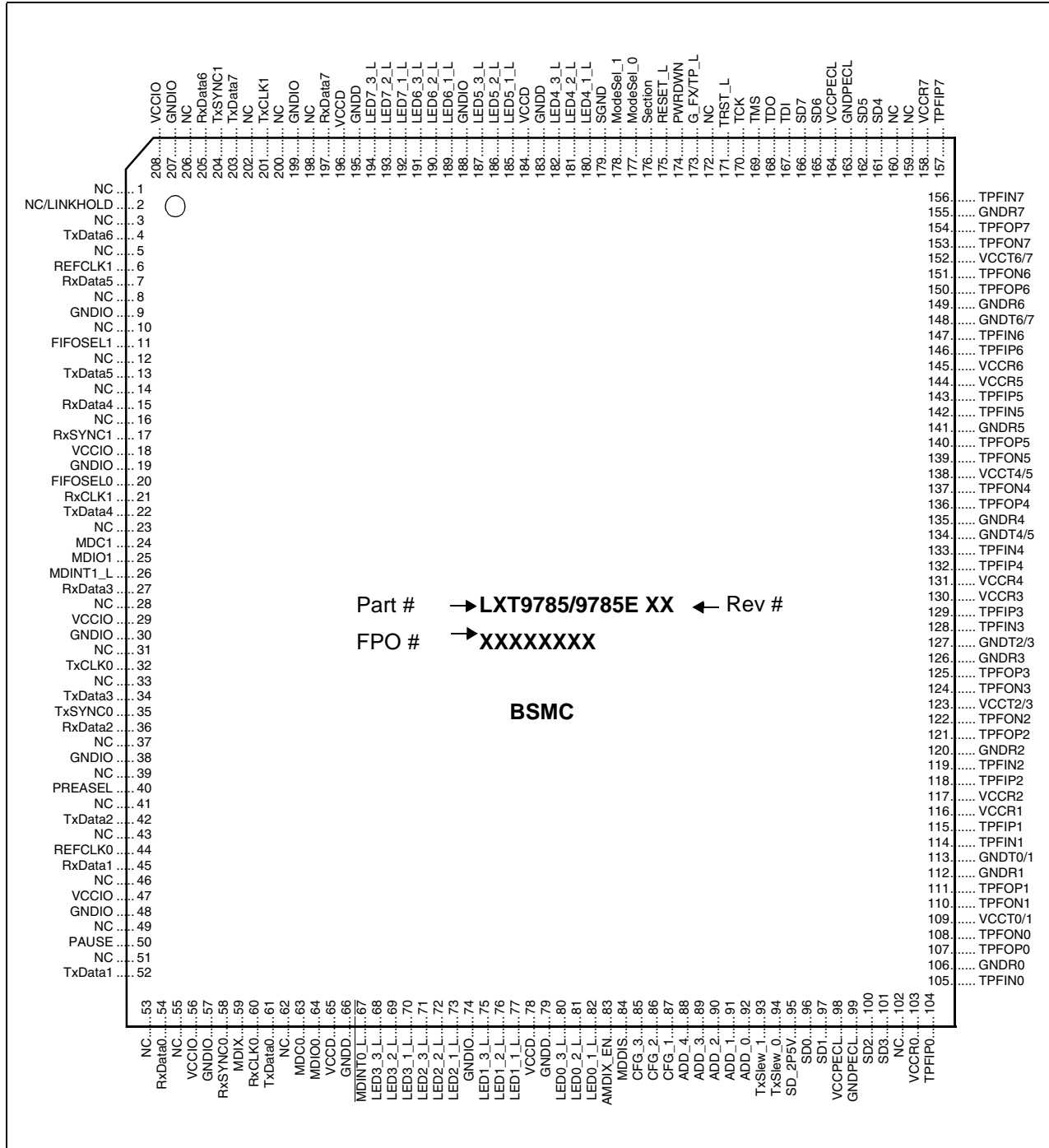
| Pin | Symbol    | Type <sup>1</sup> | Reference for Full Description |
|-----|-----------|-------------------|--------------------------------|
| 168 | TDO       | O, TS             | Table 12                       |
| 169 | TMS       | I, ST, IP         | Table 12                       |
| 170 | TCK       | I, ST, ID         | Table 12                       |
| 171 | TRST_L    | I, ST, IP         | Table 12                       |
| 172 | NC        | –                 | Table 17                       |
| 173 | G_FX/TP_L | I, ST, ID         | Table 13                       |
| 174 | PWRDWN    | I, ST, ID         | Table 13                       |
| 175 | RESET_L   | I, ST, IP         | Table 13                       |
| 176 | Section   | I, ST, ID         | Table 13                       |
| 177 | ModeSel0  | I, ST, ID         | Table 13                       |
| 178 | ModeSel1  | I, ST, ID         | Table 13                       |
| 179 | SGND      | –                 | Table 15                       |
| 180 | LED4_1_L  | OD, TS, SL, IP    | Table 14                       |
| 181 | LED4_2_L  | OD, TS, SL, IP    | Table 14                       |
| 182 | LED4_3_L  | OD, TS, SL, IP    | Table 14                       |
| 183 | GNDD      | –                 | Table 15                       |
| 184 | VCCD      | –                 | Table 15                       |
| 185 | LED5_1_L  | OD, TS, SL, IP    | Table 14                       |
| 186 | LED5_2_L  | OD, TS, SL, IP    | Table 14                       |
| 187 | LED5_3_L  | OD, TS, SL, IP    | Table 14                       |
| 188 | GNDIO     | –                 | Table 15                       |
| 189 | LED6_1_L  | OD, TS, SL, IP    | Table 14                       |
| 190 | LED6_2_L  | OD, TS, SL, IP    | Table 14                       |
| 191 | LED6_3_L  | OD, TS, SL, IP    | Table 14                       |
| 192 | LED7_1_L  | OD, TS, SL, IP    | Table 14                       |

| Pin | Symbol   | Type <sup>1</sup>    | Reference for Full Description |
|-----|----------|----------------------|--------------------------------|
| 193 | LED7_2_L | OD,<br>TS, SL,<br>IP | Table 14                       |
| 194 | LED7_3_L | OD,<br>TS, SL,<br>IP | Table 5                        |
| 195 | GNDD     | –                    | Table 15                       |
| 196 | VCCD     | –                    | Table 15                       |
| 197 | NC       | O, TS,<br>ID         | Table 16                       |
| 198 | RxData7  | O, TS                | Table 6                        |
| 199 | GNDIO    | –                    | Table 15                       |
| 200 | NC       | –                    | Table 16                       |
| 201 | NC       | –                    | Table 16                       |
| 202 | NC       | –                    | Table 16                       |
| 203 | TxData7  | I, ID                | Table 6                        |
| 204 | SYNC1    | I, ID                | Table 5                        |
| 205 | NC       | –                    | Table 16                       |
| 206 | RxData6  | O, TS                | Table 6                        |
| 207 | GNDIO    | –                    | Table 15                       |
| 208 | VCCIO    | –                    | Table 15                       |

### 3.1.3 PQFP Pin Assignments – SS-SMII Configuration

Figure 4 and Table 4, *SS-SMII PQFP Pin List*, on page 32 provide the LXT9785/LXT9785E SS-SMII PQFP pin assignments.

Figure 4 SS-SMII 208-Pin PQFP Assignments



**Table 4 SS-SMII PQFP Pin List**

| Pin | Symbol          | Type <sup>1</sup>  | Reference for Full Description |
|-----|-----------------|--------------------|--------------------------------|
| 1   | NC              | –                  | Table 16                       |
| 2   | NC/<br>LINKHOLD | –<br>I, ID         | Table 16<br>Table 13           |
| 3   | NC              | –                  | Table 16                       |
| 4   | TxDat6          | I, ID              | Table 6                        |
| 5   | NC              | I                  | Table 16                       |
| 6   | REFCLK1         | I                  | Table 6                        |
| 7   | RxDat5          | O, TS,<br>ID       | Table 8                        |
| 8   | NC              | –                  | Table 16                       |
| 9   | GNDIO           | –                  | Table 15                       |
| 10  | NC              | –                  | Table 16                       |
| 11  | FIFOSEL1        | I, ID, ST          | Table 13                       |
| 12  | NC              | –                  | Table 16                       |
| 13  | TxDat5          | I, ID              | Table 6                        |
| 14  | NC              | –                  | Table 16                       |
| 15  | RxDat4          | O, TS,<br>ID       | Table 8                        |
| 16  | NC              | –                  | Table 16                       |
| 17  | RxSYNC1         | O, TS,<br>ID       | Table 8                        |
| 18  | VCCIO           | –                  | Table 15                       |
| 19  | GNDIO           | –                  | Table 15                       |
| 20  | FIFOSEL0        | I, ID, ST          | Table 13                       |
| 21  | RxCLK1          | O, TS,<br>ID       | Table 8                        |
| 22  | TxDat4          | I, ID              | Table 6                        |
| 23  | NC              | –                  | Table 16                       |
| 24  | MDC1            | I, ST, ID          | Table 9                        |
| 25  | MDIO1           | I/O, TS,<br>SL, IP | Table 9                        |
| 26  | MDINT1_L        | OD, TS,<br>SL, IP  | Table 9                        |
| 27  | RxDat3          | O, TS,<br>ID       | Table 8                        |
| 28  | NC              | –                  | Table 16                       |
| 29  | VCCIO           | –                  | Table 15                       |
| 30  | GNDIO           | –                  | Table 15                       |
| 31  | NC              | –                  | Table 16                       |
| 32  | TxCLK0          | I, ID              | Table 8                        |
| 33  | NC              | –                  | Table 16                       |

| Pin | Symbol   | Type <sup>1</sup>  | Reference for Full Description |
|-----|----------|--------------------|--------------------------------|
| 34  | TxDat3   | I, ID              | Table 6                        |
| 35  | TxSYNC0  | I, ID              | Table 8                        |
| 36  | RxDat2   | O, TS,<br>ID       | Table 8                        |
| 37  | NC       | –                  | Table 16                       |
| 38  | GNDIO    | –                  | Table 15                       |
| 39  | NC       | –                  | Table 16                       |
| 40  | PREASEL  | I, ST              | Table 13                       |
| 41  | NC       | –                  | Table 16                       |
| 42  | TxDat2   | I, ID              | Table 6                        |
| 43  | NC       | –                  | Table 16                       |
| 44  | REFCLK0  | I                  | Table 6                        |
| 45  | RxDat1   | O, TS,<br>ID       | Table 8                        |
| 46  | NC       | –                  | Table 16                       |
| 47  | VCCIO    | –                  | Table 15                       |
| 48  | GNDIO    | –                  | Table 15                       |
| 49  | NC       | –                  | Table 16                       |
| 50  | PAUSE    | I, ID, ST          | Table 13                       |
| 51  | NC       | –                  | Table 16                       |
| 52  | TxDat1   | I, ID              | Table 6                        |
| 53  | NC       | –                  | Table 16                       |
| 54  | RxDat0   | O, TS,<br>ID       | Table 8                        |
| 55  | NC       | –                  | Table 16                       |
| 56  | VCCIO    | –                  | Table 15                       |
| 57  | GNDIO    | –                  | Table 15                       |
| 58  | RxSYNC0  | O, TS,<br>ID       | Table 8                        |
| 59  | MDIX     | I, ID, ST          | Table 13                       |
| 60  | RxCLK0   | –                  | Table 8                        |
| 61  | TxDat0   | I, ID              | Table 6                        |
| 62  | NC       | –                  | Table 16                       |
| 63  | MDC0     | I, ST, ID          | Table 9                        |
| 64  | MDIO0    | I/O, TS,<br>SL, IP | Table 9                        |
| 65  | VCCD     | –                  | Table 15                       |
| 66  | GNDD     | –                  | Table 15                       |
| 67  | MDINT0_L | OD, TS,<br>SL, IP  | Table 9                        |



| Pin | Symbol   | Type <sup>1</sup> | Reference for Full Description |
|-----|----------|-------------------|--------------------------------|
| 68  | LED3_3_L | OD, TS, SO, IP    | Table 14                       |
| 69  | LED3_2_L | OD, TS, SL, IP    | Table 14                       |
| 70  | LED3_1_L | OD, TS, SL, IP    | Table 14                       |
| 71  | LED2_3_L | OD, TS, SL, IP    | Table 14                       |
| 72  | LED2_2_L | OD, TS, SL, IP    | Table 14                       |
| 73  | LED2_1_L | OD, TS, SL, IP    | Table 14                       |
| 74  | GNDIO    | –                 | Table 15                       |
| 75  | LED1_3_L | OD, TS, SL, IP    | Table 14                       |
| 76  | LED1_2_L | OD, TS, SL, IP    | Table 14                       |
| 77  | LED1_1_L | OD, TS, SL, IP    | Table 14                       |
| 78  | VCCD     | –                 | Table 15                       |
| 79  | GNDD     | –                 | Table 15                       |
| 80  | LED0_3_L | OD, TS, SL, IP    | Table 14                       |
| 81  | LED0_2_L | OD, TS, SL, IP    | Table 14                       |
| 82  | LED0_1_L | OD, TS, SL, IP    | Table 14                       |
| 83  | AMDIX_EN | I, ST, IP         | Table 13                       |
| 84  | MDDIS    | I, ST, ID         | Table 9                        |
| 85  | CFG_3    | I, ST, ID         | Table 13                       |
| 86  | CFG_2    | I, ST, ID         | Table 13                       |
| 87  | CFG_1    | I, ST, ID         | Table 13                       |
| 88  | ADD_4    | I, ST, ID         | Table 13                       |
| 89  | ADD_3    | I, ST, ID         | Table 13                       |
| 90  | ADD_2    | I, ST, ID         | Table 13                       |
| 91  | ADD_1    | I, ST, ID         | Table 13                       |
| 92  | ADD_0    | I, ST, ID         | Table 13                       |
| 93  | TxSLEW_1 | I, ST, ID         | Table 13                       |
| 94  | TxSLEW_0 | I, ST, ID         | Table 13                       |
| 95  | SD_2P5V  | I, ST, ID         | Table 10                       |
| 96  | SD0      | I                 | Table 10                       |
| 97  | SD1      | I                 | Table 10                       |
| 98  | VCCPECL  | –                 | Table 15                       |

| Pin | Symbol  | Type <sup>1</sup> | Reference for Full Description |
|-----|---------|-------------------|--------------------------------|
| 99  | GNDPECL | –                 | Table 15                       |
| 100 | SD2     | I                 | Table 10                       |
| 101 | SD3     | I                 | Table 10                       |
| 102 | NC      | –                 | Table 16                       |
| 103 | VCCR0   | –                 | Table 15                       |
| 104 | TPFIP0  | AI/AO             | Table 11                       |
| 105 | TPFIN0  | AI/AO             | Table 11                       |
| 106 | GNDR0   | –                 | Table 15                       |
| 107 | TPFOP0  | AO/AI             | Table 11                       |
| 108 | TPFON0  | AO/AI             | Table 11                       |
| 109 | VCCT0/1 | –                 | Table 15                       |
| 110 | TPFON1  | AO/AI             | Table 11                       |
| 111 | TPFOP1  | AO/AI             | Table 11                       |
| 112 | GNDR1   | –                 | Table 15                       |
| 113 | GNDT0/1 | –                 | Table 15                       |
| 114 | TPFIN1  | AI/AO             | Table 11                       |
| 115 | TPFIP1  | AI/AO             | Table 11                       |
| 116 | VCCR1   | –                 | Table 15                       |
| 117 | VCCR2   | –                 | Table 15                       |
| 118 | TPFIP2  | AI/AO             | Table 11                       |
| 119 | TPFIN2  | AI/AO             | Table 11                       |
| 120 | GNDR2   | –                 | Table 15                       |
| 121 | TPFOP2  | AO/AI             | Table 11                       |
| 122 | TPFON2  | AO/AI             | Table 11                       |
| 123 | VCCT2/3 | –                 | Table 15                       |
| 124 | TPFON3  | AO/AI             | Table 11                       |
| 125 | TPFOP3  | AO/AI             | Table 11                       |
| 126 | GNDR3   | –                 | Table 15                       |
| 127 | GNDT2/3 | –                 | Table 15                       |
| 128 | TPFIN3  | AI/AO             | Table 11                       |
| 129 | TPFIP3  | AI/AO             | Table 11                       |
| 130 | VCCR3   | –                 | Table 15                       |
| 131 | VCCR4   | –                 | Table 15                       |
| 132 | TPFIP4  | AI/AO             | Table 11                       |
| 133 | TPFIN4  | AI/AO             | Table 11                       |
| 134 | GNDT4/5 | –                 | Table 15                       |
| 135 | GNDR4   | –                 | Table 15                       |
| 136 | TPFOP4  | AO/AI             | Table 11                       |

| Pin | Symbol    | Type <sup>1</sup> | Reference for Full Description |
|-----|-----------|-------------------|--------------------------------|
| 137 | TPFON4    | AO/AI             | Table 11                       |
| 138 | VCCT4/5   | –                 | Table 15                       |
| 139 | TPFON5    | AO/AI             | Table 11                       |
| 140 | TPFOP5    | AO/AI             | Table 11                       |
| 141 | GNDR5     | –                 | Table 15                       |
| 142 | TPFIN5    | AI/AO             | Table 11                       |
| 143 | TPFIP5    | AI/AO             | Table 11                       |
| 144 | VCCR5     | –                 | Table 15                       |
| 145 | VCCR6     | –                 | Table 15                       |
| 146 | TPFIP6    | AI/AO             | Table 11                       |
| 147 | TPFIN6    | AI/AO             | Table 11                       |
| 148 | GNDT6/7   | –                 | Table 15                       |
| 149 | GNDR6     | –                 | Table 15                       |
| 150 | TPFOP6    | AO/AI             | Table 11                       |
| 151 | TPFON6    | AO/AI             | Table 11                       |
| 152 | VCCT6/7   | –                 | Table 15                       |
| 153 | TPFON7    | AO/AI             | Table 11                       |
| 154 | TPFOP7    | AO/AI             | Table 11                       |
| 155 | GNDR7     | –                 | Table 15                       |
| 156 | TPFIN7    | AI/AO             | Table 11                       |
| 157 | TPFIP7    | AI/AO             | Table 11                       |
| 158 | VCCR7     | –                 | Table 15                       |
| 159 | NC        | –                 | Table 16                       |
| 160 | NC        | –                 | Table 16                       |
| 161 | SD4       | I                 | Table 10                       |
| 162 | SD5       | I                 | Table 10                       |
| 163 | GNDPECL   | –                 | Table 15                       |
| 164 | VCCPECL   | –                 | Table 15                       |
| 165 | SD6       | I                 | Table 10                       |
| 166 | SD7       | I                 | Table 10                       |
| 167 | TDI       | I, ST, IP         | Table 12                       |
| 168 | TDO       | O, TS             | Table 12                       |
| 169 | TMS       | I, ST, IP         | Table 12                       |
| 170 | TCK       | I, ST, ID         | Table 12                       |
| 171 | TRST_L    | I, ST, IP         | Table 12                       |
| 172 | NC        | –                 | Table 16                       |
| 173 | G_FX/TP_L | I, ST, ID         | Table 13                       |
| 174 | PWRDWN    | I, ST, ID         | Table 13                       |

| Pin | Symbol   | Type <sup>1</sup> | Reference for Full Description |
|-----|----------|-------------------|--------------------------------|
| 175 | RESET_L  | I, ST, IP         | Table 13                       |
| 176 | SECTION  | I, ST, ID         | Table 13                       |
| 177 | ModeSel0 | I, ST, ID         | Table 13                       |
| 178 | ModeSel1 | I, ST, ID         | Table 13                       |
| 179 | SGND     | –                 | Table 15                       |
| 180 | LED4_1_L | OD, TS, SL, IP    | Table 14                       |
| 181 | LED4_2_L | OD, TS, SL, IP    | Table 14                       |
| 182 | LED4_3_L | OD, TS, SL, IP    | Table 14                       |
| 183 | GNDD     | –                 | Table 15                       |
| 184 | VCCD     | –                 | Table 15                       |
| 185 | LED5_1_L | OD, TS, SL, IP    | Table 14                       |
| 186 | LED5_2_L | OD, TS, SL, IP    | Table 14                       |
| 187 | LED5_3_L | OD, TS, SL, IP    | Table 14                       |
| 188 | GNDIO    | –                 | Table 15                       |
| 189 | LED6_1_L | OD, TS, SL, IP    | Table 14                       |
| 190 | LED6_2_L | OD, TS, SL, IP    | Table 14                       |
| 191 | LED6_3_L | OD, TS, SL, IP    | Table 14                       |
| 192 | LED7_1_L | OD, TS, SL, IP    | Table 14                       |
| 193 | LED7_2_L | OD, TS, SL, IP    | Table 14                       |
| 194 | LED7_3_L | OD, TS, SL, IP    | Table 14                       |
| 195 | GNDD     | –                 | Table 15                       |
| 196 | VCCD     | –                 | Table 15                       |
| 197 | RxData7  | O, TS, ID         | Table 8                        |
| 198 | NC       | –                 | Table 16                       |
| 199 | GNDIO    | –                 | Table 15                       |
| 200 | NC       | –                 | Table 16                       |
| 201 | TxCLK1   | I, ID             | Table 8                        |
| 202 | NC       | –                 | Table 16                       |
| 203 | TxData7  | I, ID             | Table 6                        |
| 204 | TxSYNC1  | I, ID             | Table 8                        |

---

| Pin | Symbol  | Type <sup>1</sup> | Reference for Full Description |
|-----|---------|-------------------|--------------------------------|
| 205 | RxData6 | O, TS, ID         | Table 8                        |
| 206 | NC      | –                 | Table 16                       |
| 207 | GNDIO   | –                 | Table 15                       |
| 208 | VCCIO   | –                 | Table 15                       |

## 3.2 PQFP Signal Descriptions

### 3.2.1 Signal Name Conventions

Signal names may contain either a port designation or a serial designation, or a combination of the two designations. Signal naming conventions are as follows:

- **Port Number Only.** Individual signals that apply to a particular port are designated by the Signal Mnemonic, immediately followed by the Port Designation. For example, Transmit Enable signals would be identified as TxEN0, TxEN1, and TxEN2.
- **Serial Number Only.** A set of signals which are not tied to any specific port are designated by the Signal Mnemonic, followed by an underscore and a serial designation. For example, a set of three Global Configuration signals would be identified as CFG\_1, CFG\_2, and CFG\_3.
- **Port and Serial Number.** In cases where each port is assigned a set of multiple signals, each signal is designated in the following order: Signal Mnemonic, Port Designation, an underscore, and the serial designation. For example, a set of three Port Configuration signals would be identified as RxData0\_0 and RxData0\_1, RxData1\_0 and RxData1\_1, and RxData2\_0 and RxData2\_1.

### 3.2.2 PQFP Signal Descriptions – RMII, SMII, and SS-SMII Configurations

Table 5 through Table 17, *Receive FIFO Depth Considerations*, on page 50 provide PQFP signal descriptions. Ball designations are included for cross-reference.

Table 5 RMII Signal Descriptions – PQFP (Sheet 1 of 3)

| Pin-Ball Designation |            | Symbol                 | Type <sup>1</sup> | Signal Description <sup>2,3</sup>  |
|----------------------|------------|------------------------|-------------------|--|
| PQFP                 | PBGA       |                        |                   |  |
| 44<br>6              | E6,<br>E12 | REFCLK0<br>REFCLK1     | I                 | <b>Reference Clock.</b><br>50 MHz RMII reference clock is always required. RMII inputs are sampled on the rising edge of REFCLK, RMII outputs are sourced on the falling edge. |
| 61<br>62             | E2,<br>F4  | TxData0_0<br>TxData0_1 | I, ID             | <b>Transmit Data - Port 0.</b><br>Inputs containing 2-bit parallel di-bits to be transmitted from port 0 are clocked in synchronously to REFCLK.                               |
| 52<br>53             | C3,<br>D4  | TxData1_0<br>TxData1_1 | I, ID             | <b>Transmit Data - Port 1.</b><br>Inputs containing 2-bit parallel di-bits to be transmitted from port 1 are clocked in synchronously to REFCLK.                               |
| 42<br>43             | B5<br>A4   | TxData2_0<br>TxData2_1 | I, ID             | <b>Transmit Data - Port 2.</b><br>Inputs containing 2-bit parallel di-bits to be transmitted from port 2 are clocked in synchronously to REFCLK.                               |

1. Type Column Coding: I = Input, O = Output, OD = Open Drain output, ST = Schmitt Triggered input, TS = Three-State-able output, SL = Slew-rate Limited output, IP = weak Internal Pull-up, ID = weak Internal pull-Down.  
 2. The IP/ID resistors are disabled during H/W Power-Down mode. If a Pin is an output or an I/O, the IP/ID resistors are also disabled when the output is enabled.  
 3. RxData[0:7]\_0, RxData[0:7]\_1, CRS\_DV[0:7] and RxER[0:7] outputs are three-stated in Isolation and H/W Power-Down modes and during H/W reset.

**Table 5 RMI Signal Descriptions – PQFP (Sheet 2 of 3)**

| Pin-Ball Designation  |   | Symbol   | Type <sup>1</sup>  | Signal Description <sup>2,3</sup>  |
|---|---|--|--------------------|--|
| PQFP  | PBGA  |  |                    |  |
| 34<br>35  | D8,<br>A6   | TxData3_0<br>TxData3_1   | I, ID              | <b>Transmit Data - Port 3.</b><br>Inputs containing 2-bit parallel di-bits to be transmitted from port 3 are clocked in synchronously to REFCLK. |
| 22<br>23  | A11,<br>C10   | TxData4_0<br>TxData4_1   | I, ID              | <b>Transmit Data - Port 4.</b><br>Inputs containing 2-bit parallel di-bits to be transmitted from port 4 are clocked in synchronously to REFCLK. |
| 13<br>14  | B13,<br>D11   | TxData5_0<br>TxData5_1   | I, ID              | <b>Transmit Data - Port 5.</b><br>Inputs containing 2-bit parallel di-bits to be transmitted from port 5 are clocked in synchronously to REFCLK. |
| 4<br>5  | D13,<br>A16   | TxData6_0<br>TxData6_1   | I, ID              | <b>Transmit Data - Port 6.</b><br>Inputs containing 2-bit parallel di-bits to be transmitted from port 6 are clocked in synchronously to REFCLK. |
| 203<br>204  | E14,<br>C16   | TxData7_0<br>TxData7_1   | I, ID              | <b>Transmit Data - Port 7.</b><br>Inputs containing 2-bit parallel di-bits to be transmitted from port 7 are clocked in synchronously to REFCLK. |
| 60<br>51<br>41<br>33<br>21<br>12<br>3<br>202  | E3,<br>B2,<br>C6,<br>A7,<br>B11,<br>A14,<br>C14,<br>D16 | TxEN0<br>TxEN1<br>TxEN2<br>TxEN3<br>TxEN4<br>TxEN5<br>TxEN6<br>TxEN7 | I, ID              | <b>Transmit Enable - Ports 0-7.</b><br>Active High input enables respective port transmitter. This signal must be synchronous to the REFCLK.     |
| 55<br>54  | C2,<br>B1   | RxData0_0<br>RxData0_1   | O, TS<br>O, TS, ID | <b>Receive Data - Port 0.</b><br>Receive data signals (2-bit parallel di-bits) are driven synchronously to REFCLK.                               |
| 46<br>45  | A3,<br>B4   | RxData1_0<br>RxData1_1   | O, TS<br>O, TS, ID | <b>Receive Data - Port 1.</b><br>Receive data signals (2-bit parallel di-bits) are driven synchronously to REFCLK.                               |
| 37<br>36  | B6,<br>C7   | RxData2_0<br>RxData2_1   | O, TS<br>O, TS, ID | <b>Receive Data - Port 2.</b><br>Receive data signals (2-bit parallel di-bits) are driven synchronously to REFCLK.                               |
| 28<br>27  | D9,<br>B9   | RxData3_0<br>RxData3_1   | O, TS<br>O, TS, ID | <b>Receive Data - Port 3.</b><br>Receive data signals (2-bit parallel di-bits) are driven synchronously to REFCLK.                               |
| 16<br>15  | A13,<br>C12   | RxData4_0<br>RxData4_1   | O, TS<br>O, TS, ID | <b>Receive Data - Port 4.</b><br>Receive data signals (2-bit parallel di-bits) are driven synchronously to REFCLK.                               |
| 8<br>7  | B14,<br>B15   | RxData5_0<br>RxData5_1   | O, TS<br>O, TS, ID | <b>Receive Data - Port 5.</b><br>Receive data signals (2-bit parallel di-bits) are driven synchronously to REFCLK.                               |
| <ol style="list-style-type: none"> <li>1. Type Column Coding: I = Input, O = Output, OD = Open Drain output, ST = Schmitt Triggered input, TS = Three-State-able output, SL = Slew-rate Limited output, IP = weak Internal Pull-up, ID = weak Internal pull-Down.</li> <li>2. The IP/ID resistors are disabled during H/W Power-Down mode. If a Pin is an output or an I/O, the IP/ID resistors are also disabled when the output is enabled.</li> <li>3. RxData[0:7]_0, RxData[0:7]_1, CRS_DV[0:7] and RxER[0:7] outputs are three-stated in Isolation and H/W Power-Down modes and during H/W reset.</li> </ol> |   |  |                    |  |

**Table 5 RMI Signal Descriptions – PQFP (Sheet 3 of 3)**

| Pin-Ball Designation  |   | Symbol   | Type <sup>1</sup>  | Signal Description <sup>2,3</sup>   |
|---|---|--|--------------------|---|
| PQFP  | PBGA  |  |                    |   |
| 206<br>205  | C15,<br>B17   | RxData6_0<br>RxData6_1   | O, TS<br>O, TS, ID | <b>Receive Data - Port 6.</b><br>Receive data signals (2-bit parallel di-bits) are driven synchronously to REFCLK.  |
| 198<br>197  | E16,<br>F14   | RxData7_0<br>RxData7_1   | O, TS<br>O, TS, ID | <b>Receive Data - Port 7.</b><br>Receive data signals (2-bit parallel di-bits) are driven synchronously to REFCLK.  |
| 58<br>49<br>39<br>31<br>17<br>10<br>1<br>200  | E4,<br>C4,<br>A5,<br>B8,<br>B12,<br>D12,<br>B16,<br>E15 | CRS_DV0<br>CRS_DV1<br>CRS_DV2<br>CRS_DV3<br>CRS_DV4<br>CRS_DV5<br>CRS_DV6<br>CRS_DV7 | O, TS, SL,<br>ID   | <b>Carrier Sense/Receive Data Valid - Ports 0-7.</b><br>On detection of valid carrier, these signals are asserted asynchronously with respect to REFCLK. CRS_DVn is de-asserted on loss of carrier, synchronous to REFCLK.  |
| 59<br>50<br>40<br>32<br>20<br>11<br>2<br>201  | D2,<br>D5,<br>D7,<br>C8,<br>A12,<br>A15,<br>A17,<br>D17 | RxER0<br>RxER1<br>RxER2<br>RxER3<br>RxER4<br>RxER5<br>RxER6<br>RxER7                 | O, TS, SL,<br>ID   | <b>Receive Error - Ports 0-7.</b><br>These signals are synchronous to the respective REFCLK. Active High indicates that received code group is invalid, or that PLL is not locked.<br>The RxER signals have the following additional function pins:<br>RxER0 (MDIX)<br>RxER1 (PAUSE)<br>RxER2 (PREASEL)<br>RxER4 (FIFOSEL0)<br>RxER5 (FIFOSEL1)<br>RxER6 (LINKHOLD) |
| <ol style="list-style-type: none"> <li>1. Type Column Coding: I = Input, O = Output, OD = Open Drain output, ST = Schmitt Triggered input, TS = Three-State-able output, SL = Slew-rate Limited output, IP = weak Internal Pull-up, ID = weak Internal pull-Down.</li> <li>2. The IP/ID resistors are disabled during H/W Power-Down mode. If a Pin is an output or an I/O, the IP/ID resistors are also disabled when the output is enabled.</li> <li>3. RxData[0:7]_0, RxData[0:7]_1, CRS_DV[0:7] and RxER[0:7] outputs are three-stated in Isolation and H/W Power-Down modes and during H/W reset.</li> </ol> |   |  |                    |   |

**Table 6 SMII/SS-SMII Common Signal Descriptions – PQFP**

| Pin/Ball Designation                         |   | Symbol   | Type <sup>1</sup> | Signal Description <sup>2</sup>   |
|--|---|--|-------------------|---|
| PQFP   | PBGA  |  |                   |   |
| 61<br>52<br>42<br>34<br>22<br>13<br>4<br>203 | E2,<br>C3,<br>B5,<br>D8,<br>A11,<br>B13,<br>D13,<br>E14 | TxData0<br>TxData1<br>TxData2<br>TxData3<br>TxData4<br>TxData5<br>TxData6<br>TxData7 | I, ID             | <b>Transmit Data - Ports 0-7.</b><br>These serial input streams provide data to be transmitted to the network. The LXT9785/LXT9785E clocks the data in synchronously to REFCLK.   |
| 44<br>6                                      | E6,<br>E12  | REFCLK0<br>REFCLK1   | I                 | <b>Reference Clock.</b><br>The LXT9785/LXT9785E always requires a 125 MHz reference clock input. Refer to Functional Description for detailed clock requirements. REFCLK0 and REFCLK1 are always connected regardless of sectionalization mode. |

1. Type Column Coding: I = Input, O = Output, OD = Open Drain output, ST = Schmitt Triggered input, TS = Three-State-able output, SL = Slew-rate Limited output, IP = weak Internal Pull-up, ID = weak Internal pull-Down.  
 2. The IP/ID resistors are disabled during H/W Power-Down mode.

**Table 7 SMII Specific Signal Descriptions – PQFP**

| Pin/Ball Designation                          |   | Symbol   | Type <sup>1</sup> | Signal Description <sup>2,3</sup>   |
|---|---|--|-------------------|---|
| PQFP  | PBGA  |  |                   |   |
| 35<br>204                                     | A6,<br>C16  | SYNC0<br>SYNC1   | I, ID             | <b>SMII Synchronization.</b><br>The MAC must generate a SYNC pulse every 10 REFCLK cycles to synchronize the SMII. SYNC0 is used when 1x8 port sectionalization is selected. SYNC0 and SYNC1 are to be used when 2x4 port sectionalization is chosen. |
| 55<br>46<br>37<br>28<br>16<br>8<br>206<br>198 | C2,<br>A3,<br>B6,<br>D9,<br>A13,<br>B14,<br>C15,<br>E16 | RxData0<br>RxData1<br>RxData2<br>RxData3<br>RxData4<br>RxData5<br>RxData6<br>RxData7 | O, TS             | <b>Receive Data - Ports 0-7.</b><br>These serial output streams provide data received from the network. The LXT9785/LXT9785E drives the data out synchronously to REFCLK.   |

1. Type Column Coding: I = Input, O = Output, OD = Open Drain output, ST = Schmitt Triggered input, TS = Three-State-able output, SL = Slew-rate Limited output, IP = weak Internal Pull-up, ID = weak Internal pull-Down.  
 2. The IP/ID resistors are disabled during H/W Power-Down mode.  
 3. RxData[0:7] outputs are three-stated in Isolation and hardware power-down modes and during hardware reset.

**Table 8 SS-SMII Specific Signal Descriptions – PQFP**

| Pin/Ball Designation   |   | Symbol   | Type <sup>1</sup> | Signal Description <sup>2,3</sup>   |
|--|---|--|-------------------|---|
| PQFP   | PBGA  |  |                   |   |
| 35<br>204  | A6,<br>C16  | TxSYNC0<br>TxSYNC1   | I, ID             | <b>SS-SMII Transmit Synchronization.</b><br>The MAC must generate a TxSYNC pulse every 10 TxCLK cycles to mark the start of TxData segments. TxSYNC0 is used when 1x8 port sectionalization is selected.  |
| 58<br>17   | E4,<br>B12  | RxSYNC0<br>RxSYNC1   | O, TS,<br>ID      | <b>SS-SMII Receive Synchronization.</b><br>The LXT9785/LXT9785E generates these pulses every 10 RxCLK cycles to mark the start of RxData segments for the MAC. RxSYNC1 is used when 1x8 port sectionalization is selected. RxSYNC0 may not be used. These outputs are only enabled when SS-SMII mode is enabled.  |
| 32<br>201  | C8,<br>D17  | TxCLK0<br>TxCLK1   | I, ID             | <b>SS-SMII Transmit Clock.</b><br>The MAC sources this 125 MHz clock as the timing reference for TxData and TxSYNC. Only TxCLK0 is used when 1x8 port sectionalization is selected. See <a href="#">Section 4.4.2, Clock/SYNC Requirements, on page 122</a> for detailed clock requirements.  |
| 60<br>21   | E3,<br>B11  | RxCLK0<br>RxCLK1   | O, TS,<br>ID      | <b>SS-SMII Receive Clock.</b><br>The LXT9785/LXT9785E generates these clocks, based on REFCLK, to provide a timing reference for RxData and RxSYNC to the MAC. RxCLK1 is used when 1x8 port sectionalization is selected. RxCLK0 may not be used. See <a href="#">Section 4.4.2, Clock/SYNC Requirements, on page 122</a> for detailed clock requirements. These outputs are only enabled when SS-SMII mode is enabled. |
| 54<br>45<br>36<br>27<br>15<br>7<br>205<br>197  | B1,<br>B4,<br>C7,<br>B9,<br>C12,<br>B15,<br>B17,<br>F14 | RxData0<br>RxData1<br>RxData2<br>RxData3<br>RxData4<br>RxData5<br>RxData6<br>RxData7 | O, TS,<br>ID      | <b>Receive Data - Ports 0-7.</b><br>These serial output streams provide data received from the network. The LXT9785/LXT9785E drives the data out synchronously to REFCLK.   |
| <ol style="list-style-type: none"> <li>1. Type Column Coding: I = Input, O = Output, OD = Open Drain output, ST = Schmitt Triggered input, TS = Three-State-able output, SL = Slew-rate Limited output, IP = weak Internal Pull-up, ID = weak Internal pull-Down.</li> <li>2. The IP/ID resistors are disabled during H/W Power-Down mode. If a Pin is an output or an I/O, the IP/ID resistors are also disabled when the output is enabled.</li> <li>3. RxData[0:7], RxSYNC[0:1], and RxCLK[0:1] outputs are three-stated in Isolation and H/W Power-Down modes and during H/W reset.</li> </ol> |   |  |                   |   |



**Table 9 MDIO Control Interface Signals – PQFP**

| Pin/Ball Designation   |            | Symbol               | Type <sup>1</sup>  | Signal Description <sup>2,3,4</sup>  |
|--|------------|----------------------|--------------------|--|
| PQFP   | PBGA       |                      |                    |  |
| 64<br>25   | F3,<br>A10 | MDIO0<br>MDIO1       | I/O, TS, SL,<br>IP | <b>Management Data Input/Output.</b><br>Bidirectional serial data channel for communication between the PHY and MAC or switch ASIC. Only MDIO0 is used when 1x8 port sectionalization is selected. In 2x4 port sectionalization mode, MDIO0 accesses ports 0-3 and MDIO1 accesses ports 4-7. Refer to <a href="#">Figure 21 on page 136</a> .  |
| 67<br>26   | F1,<br>C9  | MDINT0_L<br>MDINT1_L | OD, TS, SL,<br>IP  | <b>Management Data Interrupt.</b><br>When Register bit 18.1 = 1, an active Low output on this Pin indicates status change. Only MDINT0_L is used when 1x8 port sectionalization is selected. In 2x4 port sectionalization mode, MDINT0_L is associated with ports 0-3 and MDINT1_L is associated with ports 4-7. Refer to <a href="#">Figure 21 on page 136</a> .  |
| 63<br>24   | E1,<br>B10 | MDC0<br>MDC1         | I, ST, ID          | <b>Management Data Clock.</b><br>Clock for the MDIO serial data channel. Maximum frequency is 20 MHz. Only MDC0 is used when 1x8 port sectionalization is selected. In 2x4 port sectionalization mode, MDC0 clocks ports 0-3 register accesses and MDC1 clocks ports 4-7 register accesses. Refer to <a href="#">Figure 21 on page 136</a> .   |
| 84   | L1         | MDDIS                | I, ST, ID          | <b>Management Disable.</b><br>When MDDIS is tied High, the MDIO port is completely disabled and the Hardware Control Interface pins set their respective bits at power up and reset.<br>When MDDIS is pulled Low at power up or reset, via the internal pull-down resistor or by tying it to ground, the Hardware Control Interface Pins control only the initial or “default” values of their respective register bits. After the power-up/reset cycle is complete, bit control reverts to the MDIO serial channel. |
| <ol style="list-style-type: none"> <li>1. Type Column Coding: I = Input, O = Output, OD = Open Drain output, ST = Schmitt Triggered input, TS = Three-State-able output, SL = Slew-rate Limited output, IP = weak Internal Pull-up, ID = weak Internal pull-Down.</li> <li>2. The IP/ID resistors are disabled during H/W Power-Down mode. If a Pin is an output or an I/O, the IP/ID resistors are also disabled when the output is enabled.</li> <li>3. MDIO[0:1] and MDINT[0:1] outputs are three-stated in H/W Power-Down mode and during H/W reset.</li> <li>4. Supports the 802.3 MDIO register set. Specific bits in the registers are referenced using an “X.Y” notation, where X is the register number (0-32) and Y is the bit number (0-15).</li> </ol> |            |                      |                    |  |

**Table 10 Signal Detect – PQFP**

| Pin/Ball Designation                               |   | Symbol   | Type <sup>1</sup> | Signal Description <sup>2,3</sup>   |
|--|---|--|-------------------|---|
| PQFP   | PBGA  |  |                   |   |
| 95   | P1  | SD_2P5V  | I, ST, ID         | <b>Signal Detect 2.5 Volt Interface.</b><br>SD input threshold voltage select.<br><b>Tie to VCCPECL =</b> Select 2.5 V LVPECL input levels<br><b>Float or Tie to GNDPECL =</b> Select 3.3 V LVPECL input levels   |
| 96<br>97<br>100<br>101<br>161<br>162<br>165<br>166 | P2,<br>N4,<br>P3,<br>N5,<br>P15,<br>P16,<br>P17,<br>N17 | SD0<br>SD1<br>SD2<br>SD3<br>SD4<br>SD5<br>SD6<br>SD7 | I                 | <b>Signal Detect - Ports 0-7.</b><br>Signal Detect input from the fiber transceiver (these inputs are only active for ports operating in fiber mode).<br><b>Logic High =</b> Normal operation (the process of searching for receive idles for the purpose of bringing link up is initiated)<br><b>Logic Low =</b> Link is declared lost |

1. Type Column Coding: I = Input, O = Output, OD = Open Drain output, ST = Schmitt Triggered input, TS = Three-State-able output, SL = Slew-rate Limited output, IP = weak Internal Pull-up, ID = weak Internal pull-Down.  
 2. The IP/ID resistors are disabled during H/W Power-Down mode.  
 3. Tie SD[0:7] inputs to GNDPECL if unused.

**Table 11 Network Interface Signal Descriptions – PQFP**

| Pin/Ball Designation   |   | Symbol   | Type <sup>1</sup> | Signal Description   |
|--|---|--|-------------------|--|
| PQFP   | PBGA  |  |                   |  |
| 107, 108<br>111, 110<br>121, 122<br>125, 124<br>136, 137<br>140, 139<br>150, 151<br>154, 153 | T2, U1,<br>T3, R4,<br>T6, U5,<br>U7, T7,<br>T10, R10,<br>T11, U11,<br>T14, U15,<br>R14, T15 | TPFOP0, TPFON0<br>TPFOP1, TPFON1<br>TPFOP2, TPFON2<br>TPFOP3, TPFON3<br>TPFOP4, TPFON4<br>TPFOP5, TPFON5<br>TPFOP6, TPFON6<br>TPFOP7, TPFON7 | AO/AI             | <b>Twisted-Pair/Fiber Outputs<sup>2</sup>, Positive &amp; Negative, Ports 0-7.</b><br>During 100BASE-TX or 10BASE-T operation, TPFO pins drive 802.3 compliant pulses onto the line.<br>During 100BASE-FX operation, TPFO pins produce differential LVPECL outputs for fiber transceivers.                       |
| 104, 105<br>115, 114<br>118, 119<br>129, 128<br>132, 133<br>143, 142<br>146, 147<br>157, 156 | R2, T1,<br>U3, T4,<br>R6, T5,<br>T8, R8,<br>T9, U9,<br>U13, T12,<br>R12, T13,<br>R16, T16   | TPFIP0, TPFIN0<br>TPFIP1, TPFIN1<br>TPFIP2, TPFIN2<br>TPFIP3, TPFIN3<br>TPFIP4, TPFIN4<br>TPFIP5, TPFIN5<br>TPFIP6, TPFIN6<br>TPFIP7, TPFIN7 | AI/AO             | <b>Twisted-Pair/Fiber Inputs<sup>3</sup>, Positive &amp; Negative, Ports 0-7.</b><br>During 100BASE-TX or 10BASE-T operation, TPFI pins receive differential 100BASE-TX or 10BASE-T signals from the line.<br>During 100BASE-FX operation, TPFI pins receive differential LVPECL inputs from fiber transceivers. |

1. Type Column Coding: AI = Analog Input, AO = Analog Output.  
 2. Switched to Inputs (see TPFIP/N description) when not in fiber mode and MDIX is not active [that is, twisted-pair, non-crossover MDI mode].  
 3. Switched to Outputs (see TPFOP/N description) when not in fiber mode and MDIX is not active [that is, twisted-pair, non-crossover MDI mode].

**Table 12 JTAG Test Signal Descriptions – PQFP**

| Pin/Ball Designation |      | Symbol | Type <sup>1</sup> | Signal Description <sup>2,3</sup>   |
|----------------------|------|--------|-------------------|---|
| PQFP                 | PBGA |        |                   |   |
| 167                  | N14  | TDI    | I, ST, IP         | <b>Test Data Input.</b><br>Test data sampled with respect to the rising edge of TCK.  |
| 168                  | N15  | TDO    | O, TS             | <b>Test Data Output.</b><br>Test data driven with respect to the falling edge of TCK. |
| 169                  | N16  | TMS    | I, ST, IP         | <b>Test Mode Select.</b>  |
| 170                  | M16  | TCK    | I, ST, ID         | <b>Test Clock.</b><br>Clock input for JTAG test.                                      |
| 171                  | M17  | TRST   | I, ST, IP         | <b>Test Reset.</b><br>Reset input for JTAG test.                                      |

1. Type Column Coding: I = Input, O = Output, OD = Open Drain, TS = Three-State-able output, SMT = Schmitt Triggered input, SL = Slew-rate Limited output, IP = weak Internal Pull-up, ID = weak Internal pull-Down.
2. The IP/ID resistors are disabled during H/W Power-Down mode. If a pin is an output or an I/O, the IP/ID resistors are also disabled when the output is enabled.
3. TDO output is three-stated in H/W Power-Down mode and during H/W reset.

**Table 13 Miscellaneous Signal Descriptions – PQFP (Sheet 1 of 4)**

| Pin/Ball Designation |           | Symbol                         | Type <sup>1</sup> | Signal Description <sup>2</sup>  |          |          |                                |   |   |        |   |   |        |   |   |        |   |   |        |
|----------------------|-----------|--------------------------------|-------------------|--|----------|----------|--------------------------------|---|---|--------|---|---|--------|---|---|--------|---|---|--------|
| PQFP                 | PBGA      |                                |                   |  |          |          |                                |   |   |        |   |   |        |   |   |        |   |   |        |
| 94<br>93             | N3,<br>M4 | TxSLEW_0<br>TxSLEW_1           | I, ST, ID         | <p><b>Tx Output Slew Controls 0 and 1 Defaults.</b></p> <p>These pins are read at startup or reset. Their value at that time is used to set the default state of Register bits 27.11:10 for all ports. These register bits can be read and overwritten after startup / reset.</p> <p>These pins select the TX output slew rate for all ports (rise and fall time) as follows:</p> <table border="1"> <thead> <tr> <th>TxSLEW_1</th> <th>TxSLEW_0</th> <th>Slew Rate (Rise and Fall Time)</th> </tr> </thead> <tbody> <tr> <td>0</td> <td>0</td> <td>3.3 ns</td> </tr> <tr> <td>0</td> <td>1</td> <td>3.6 ns</td> </tr> <tr> <td>1</td> <td>0</td> <td>3.9 ns</td> </tr> <tr> <td>1</td> <td>1</td> <td>4.2 ns</td> </tr> </tbody> </table> | TxSLEW_1 | TxSLEW_0 | Slew Rate (Rise and Fall Time) | 0 | 0 | 3.3 ns | 0 | 1 | 3.6 ns | 1 | 0 | 3.9 ns | 1 | 1 | 4.2 ns |
| TxSLEW_1             | TxSLEW_0  | Slew Rate (Rise and Fall Time) |                   |  |          |          |                                |   |   |        |   |   |        |   |   |        |   |   |        |
| 0                    | 0         | 3.3 ns                         |                   |  |          |          |                                |   |   |        |   |   |        |   |   |        |   |   |        |
| 0                    | 1         | 3.6 ns                         |                   |  |          |          |                                |   |   |        |   |   |        |   |   |        |   |   |        |
| 1                    | 0         | 3.9 ns                         |                   |  |          |          |                                |   |   |        |   |   |        |   |   |        |   |   |        |
| 1                    | 1         | 4.2 ns                         |                   |  |          |          |                                |   |   |        |   |   |        |   |   |        |   |   |        |

1. Type Column Coding: I = Input, O = Output, OD = Open Drain Output, ST = Schmitt Triggered Input, TS = Three-State-able Output, SL = Slew-rate Limited Output, IP = Weak Internal Pull-Up, ID = Weak Internal Pull-Down.
2. The IP/ID resistors are disabled during hardware power-down mode.
3. The LINKHOLD ability is available only for stepping 4 (Revision D0).

**Table 13** Miscellaneous Signal Descriptions – PQFP (Sheet 2 of 4)

| Pin/Ball Designation   |                                | Symbol                                    | Type <sup>1</sup> | Signal Description <sup>2</sup>  |
|--|--------------------------------|---|-------------------|--|
| PQFP   | PBGA                           |   |                   |  |
| 50   | D5                             | PAUSE                                     | I, ID, ST         | <p><b>Pause Default.</b><br/>           This pin is read at startup or reset. Its value at that time is used to set the default state of Register bit 4.10 for all ports. This register bit can be read and overwritten after startup / reset.</p> <p>When High, the LXT9785/LXT9785E advertises Pause capabilities on all ports during auto-negotiation.</p> <p>This pin is shared with RMII-RxER1. An external pull-up resistor (see applications section for value) can be used to set Pause active while RxER1 is three-stated during H/W reset. If no pull-up is used, the default Pause state is set inactive via the internal pull-down resistor.</p> |
| 174  | L14                            | PWRDWN                                    | I, ST, ID         | <p><b>Power-Down.</b><br/>           When High, forces the LXT9785/LXT9785E into global power-down mode.<br/>           Pin is not on JTAG chain.</p>  |
| 175  | M15                            | RESET_L                                   | I, ST, IP         | <p><b>Reset.</b><br/>           This active low input is ORed with the control register Reset Register bit 0.15. When held Low, all outputs are forced to inactive state.<br/>           Pin is not on JTAG chain.</p>   |
| 88<br>89<br>90<br>91<br>92   | L4,<br>M2,<br>M3,<br>N1,<br>N2 | ADD_4<br>ADD_3<br>ADD_2<br>ADD_1<br>ADD_0 | I, ST, ID         | <p><b>Address &lt;4:0&gt;.</b><br/>           Sets base address. Each port adds its port number (starting with 0) to this address to determine its PHY address.</p> <p>Port 0 Address = Base<br/>           Port 1 Address = Base + 1<br/>           Port 2 Address = Base + 2<br/>           Port 3 Address = Base + 3<br/>           Port 4 Address = Base + 4<br/>           Port 5 Address = Base + 5<br/>           Port 6 Address = Base + 6<br/>           Port 7 Address = Base + 7</p>  |
| 178<br>177   | L17,<br>L16                    | MODESEL_1<br>MODESEL_0                    | I, ST, ID         | <p><b>Mode Select[1:0].</b><br/>           00 = RMII<br/>           01 = SMII<br/>           10 = SS-SMII<br/>           11 = Reserved</p> <p>All ports are configured the same. Interfaces cannot be mixed and must be all RMII, SMII, or SS-SMII.</p>  |
| 176  | L15                            | SECTION                                   | I, ST, ID         | <p><b>Sectionalization Select.</b><br/>           This pin selects sectionalization into separate ports.<br/>           0 = 1x8 ports,<br/>           1 = 2x4 ports</p>  |
| <p>1. Type Column Coding: I = Input, O = Output, OD = Open Drain Output, ST = Schmitt Triggered Input, TS = Three-State-able Output, SL = Slew-rate Limited Output, IP = Weak Internal Pull-Up, ID = Weak Internal Pull-Down.<br/>           2. The IP/ID resistors are disabled during hardware power-down mode.<br/>           3. The LINKHOLD ability is available only for stepping 4 (Revision D0).</p> |                                |   |                   |  |

**Table 13** Miscellaneous Signal Descriptions – PQFP (Sheet 3 of 4)

| Pin/Ball Designation   |                  | Symbol                  | Type <sup>1</sup> | Signal Description <sup>2</sup>   |
|--|------------------|-------------------------|-------------------|---|
| PQFP   | PBGA             |                         |                   |   |
| 83   | K1               | AMDIX_EN                | I, ST, IP         | <p><b>Auto MDIX Enable Default.</b></p> <p>This pin is read at startup or reset. Its value at that time is used to set the default state of Register bit 27.9 for all ports. These register bits can be read and overwritten after startup / reset. Refer to <a href="#">Table 40 on page 116</a>.</p> <p>When active (High), automatic MDI crossover (MDIX) (regardless of segmentation) is selected for all ports. When inactive (Low) MDIX is selected according to the MDIX pin.</p>  |
| 59   | D2               | MDIX                    | I, ID, ST         | <p><b>MDIX Select Default.</b></p> <p>This pin is read at startup or reset. Its value at that time is used to set the default state of Register bit 27.8 for all ports. These register bits can be read and overwritten after startup / reset. Refer to <a href="#">Table 40, MDIX Selection, on page 116</a>.</p> <p>When AMDIX_EN is active this pin is ignored.</p> <p>When AMDIX_EN is inactive, all ports are forced to the MDI or the MDIX function regardless of segmentation. If this pin is active (high), MDI crossover (MDIX) is selected. If this pin is inactive, non-crossover MDI mode is set.</p> <p>This pin is shared with RMII-RxER0. An external pull-up resistor (see applications section for value) can be used to set MDIX active while RxER0 is three-stated during H/W reset. If no pull-up is used, the default MDIX state is set inactive via the internal pull-down resistor. Do not tie this pin directly to VCCIO (vs. using a pull-up) in non-RMII modes.</p> |
| 85<br>86<br>87   | L2,<br>L3,<br>M1 | CFG_3<br>CFG_2<br>CFG_1 | I, ST, ID         | <p><b>Global Port Configuration Defaults 1-3.</b></p> <p>These pins are read at startup or reset. Their value at that time is used to set the default state of register bits shown in <a href="#">Table 42, Global Hardware Configuration Settings, on page 126</a> for all ports. These register bits can be read and overwritten after startup / reset.</p> <p>When operating in Hardware Control Mode, these pins provide configuration control options for all the ports (refer to <a href="#">page 126</a> for details).</p>   |
| 173  | M14              | G_FX/TP_L               | I, ST, ID         | <p><b>Global FX/TP_L Enable Default.</b></p> <p>This pin is read at startup or reset. Its value at that time is used to set the default state of Register bit 16.0 for all ports. These register bits can be read and overwritten after startup / reset. Refer to <a href="#">Table 93, Port Configuration Register (Address 16, Hex 10), on page 199</a>.</p> <p>This input selects whether all the ports are defaulted to TP vs. FX mode.</p>   |
| <p>1. Type Column Coding: I = Input, O = Output, OD = Open Drain Output, ST = Schmitt Triggered Input, TS = Three-State-able Output, SL = Slew-rate Limited Output, IP = Weak Internal Pull-Up, ID = Weak Internal Pull-Down.</p> <p>2. The IP/ID resistors are disabled during hardware power-down mode.</p> <p>3. The LINKHOLD ability is available only for stepping 4 (Revision D0).</p> |                  |                         |                   |   |

**Table 13** Miscellaneous Signal Descriptions – PQFP (Sheet 4 of 4)

| Pin/Ball Designation  |            | Symbol                | Type <sup>1</sup> | Signal Description <sup>2</sup>  |
|---|------------|-----------------------|-------------------|--|
| PQFP  | PBGA       |                       |                   |  |
| 11<br>20  | A15<br>A12 | FIFOSEL1<br>FIFOSEL0  | I, ID, ST         | <p><b>FIFO Select &lt;1:0&gt;.</b></p> <p>These pins are read at startup or reset. Their value at that time is used to set the default state of Register bits 18.15:14 for all ports. These register bits can be read and overwritten after startup/reset.</p> <p>These pins are shared with RMII-RxER&lt;5:4&gt;. An external pull-up resistor (see applications section for value) can be used to set FIFO Select&lt;1:0&gt; to active while RxER&lt;5:4&gt; are three-stated during hardware reset. If no pull-up is used, the default FIFO select state is set via the internal pull-down resistors.</p> <p>See <a href="#">Table 17, Receive FIFO Depth Considerations</a>, on page 50.</p> |
| 40  | D7         | PREASEL               | I, ID, ST         | <p><b>Preamble Select.</b></p> <p>This pin is read at startup or reset. Its value at that time is used to set the default state of Register bit 16.5 for all ports. This register bit can be read and overwritten after startup/reset.</p> <p>This pin is shared with RMII-RxER2. An external pull-up resistor (see applications section for value) can be used to set Preamble Select to active while RxER2 is three-stated during hardware reset. If no pull-up is used, the default Preamble Select state is set via the internal pull-down resistors.</p> <p><b>Note:</b> Preamble select has no effect in 100 Mbps operation.</p>   |
| 2   | A17        | LINKHOLD <sup>3</sup> | ID                | <p><b>LINKHOLD Default.</b> This pin is read at startup or reset. Its value at that time is used to set the default state of Register bit 0.11 for all ports. This register bit can be read and overwritten after startup / reset. When High, the LXT9785/LXT9785E powers down all ports.</p> <p>This pin is shared with RMII-RxER6. An external pull-up resistor (see applications section for value) can be used to set LINKHOLD active while RxER6 is tri-stated during H/W reset. If no pull-up is used, the default LINKHOLD state is set inactive via the internal pull-down resistor.</p>   |
| <ol style="list-style-type: none"> <li>1. Type Column Coding: I = Input, O = Output, OD = Open Drain Output, ST = Schmitt Triggered Input, TS = Three-State-able Output, SL = Slew-rate Limited Output, IP = Weak Internal Pull-Up, ID = Weak Internal Pull-Down.</li> <li>2. The IP/ID resistors are disabled during hardware power-down mode.</li> <li>3. The LINKHOLD ability is available only for stepping 4 (Revision D0).</li> </ol> |            |                       |                   |  |

**Table 14 LED Signal Descriptions – PQFP (Sheet 1 of 2)**

| Pin/Ball Designation   |                     | Symbol                           | Type <sup>1</sup> | Signal Description <sup>2,3</sup>   |
|--|---------------------|----------------------------------|-------------------|---|
| PQFP   | PBGA                |                                  |                   |   |
| 82<br>81<br>80   | K3,<br>K2,<br>J1    | LED0_1_L<br>LED0_2_L<br>LED0_3_L | OD, TS, SL,<br>IP | <b>Port 0 LED Drivers 1-3.</b><br>These pins drive LED indicators for Port 0. Each LED can display one of several available status conditions as selected by the LED Configuration Register (refer to <a href="#">Table 97, LED Configuration Register (Address 20, Hex 14)</a> , on page 204 for details). |
| 77<br>76<br>75   | J4,<br>J3,<br>H1    | LED1_1_L<br>LED1_2_L<br>LED1_3_L | OD, TS, SL,<br>IP | <b>Port 1 LED Drivers 1-3.</b><br>These pins drive LED indicators for Port 1. Each LED can display one of several available status conditions as selected by the LED Configuration Register (refer to <a href="#">Table 97, LED Configuration Register (Address 20, Hex 14)</a> , on page 204 for details). |
| 73<br>72<br>71   | H2,<br>H3,<br>G1    | LED2_1_L<br>LED2_2_L<br>LED2_3_L | OD, TS, SL,<br>IP | <b>Port 2 LED Drivers 1-3.</b><br>These pins drive LED indicators for Port 2. Each LED can display one of several available status conditions as selected by the LED Configuration Register (refer to <a href="#">Table 97, LED Configuration Register (Address 20, Hex 14)</a> , on page 204 for details). |
| 70<br>69<br>68   | F2,<br>G3,<br>G4    | LED3_1_L<br>LED3_2_L<br>LED3_3_L | OD, TS, SL,<br>IP | <b>Port 3 LED Drivers 1-3.</b><br>These pins drive LED indicators for Port 3. Each LED can display one of several available status conditions as selected by the LED Configuration Register (refer to <a href="#">Table 97, LED Configuration Register (Address 20, Hex 14)</a> , on page 204 for details). |
| 180<br>181<br>182  | K16,<br>K17,<br>J17 | LED4_1_L<br>LED4_2_L<br>LED4_3_L | OD, TS, SL,<br>IP | <b>Port 4 LED Drivers 1-3.</b><br>These pins drive LED indicators for Port 4. Each LED can display one of several available status conditions as selected by the LED Configuration Register (refer to <a href="#">Table 97, LED Configuration Register (Address 20, Hex 14)</a> , on page 204 for details). |
| <ol style="list-style-type: none"> <li>1. Type Column Coding: I = Input, O = Output, OD = Open Drain output, ST = Schmitt Triggered input, TS = Three-State-able output, SL = Slew-rate Limited output, IP = weak Internal Pull-up, ID = weak Internal pull-Down.</li> <li>2. The IP/ID resistors are disabled during H/W Power-Down mode. If a pin is an output or an I/O, the IP/ID resistors are also disabled when the output is enabled.</li> <li>3. The LED outputs are three-stated in H/W Power-Down mode and during H/W reset.</li> </ol> |                     |                                  |                   |   |

**Table 14 LED Signal Descriptions – PQFP (Sheet 2 of 2)**

| Pin/Ball Designation |                     | Symbol                           | Type <sup>1</sup> | Signal Description <sup>2,3</sup>   |
|----------------------|---------------------|----------------------------------|-------------------|---|
| PQFP                 | PBGA                |                                  |                   |   |
| 185<br>186<br>187    | J15,<br>J16,<br>H17 | LED5_1_L<br>LED5_2_L<br>LED5_3_L | OD, TS, SL,<br>IP | <b>Port 5 LED Drivers 1-3.</b><br>These pins drive LED indicators for Port 5. Each LED can display one of several available status conditions as selected by the LED Configuration Register (refer to <a href="#">Table 97, LED Configuration Register (Address 20, Hex 14)</a> , on page 204 for details). |
| 189<br>190<br>191    | H15,<br>H16,<br>G17 | LED6_1_L<br>LED6_2_L<br>LED6_3_L | OD, TS, SL,<br>IP | <b>Port 6 LED Drivers 1-3.</b><br>These pins drive LED indicators for Port 6. Each LED can display one of several available status conditions as selected by the LED Configuration Register (refer to <a href="#">Table 97, LED Configuration Register (Address 20, Hex 14)</a> , on page 204 for details). |
| 192<br>193<br>194    | G15,<br>F17,<br>F16 | LED7_1_L<br>LED7_2_L<br>LED7_3_L | OD, TS, SL,<br>IP | <b>Port 7 LED Drivers 1-3.</b><br>These pins drive LED indicators for Port 7. Each LED can display one of several available status conditions as selected by the LED Configuration Register (refer to <a href="#">Table 97, LED Configuration Register (Address 20, Hex 14)</a> , on page 204 for details). |

1. Type Column Coding: I = Input, O = Output, OD = Open Drain output, ST = Schmitt Triggered input, TS = Three-State-able output, SL = Slew-rate Limited output, IP = weak Internal Pull-up, ID = weak Internal pull-Down.  
 2. The IP/ID resistors are disabled during H/W Power-Down mode. If a pin is an output or an I/O, the IP/ID resistors are also disabled when the output is enabled.  
 3. The LED outputs are three-stated in H/W Power-Down mode and during H/W reset.

**Table 15 Power Supply Signal Descriptions – PQFP (Sheet 1 of 2)**

| Pin/Ball Designation                            |   | Symbol  | Type | Signal Description   |
|---|---|---------|------|--|
| PQFP  | PBGA  |         |      |  |
| 65, 78, 184,<br>196                             | G13, J14,<br>F5, J5                         | VCCD    | -    | <b>Digital Power Supply - Core.</b><br>+2.5 V supply for core digital circuits.  |
| 18, 29, 47,<br>56, 208                          | A2, A8,<br>C1, C11,<br>D14                  | VCCIO   | -    | <b>Digital Power Supply - I/O Ring.</b><br>+2.5/3.3 V supply for digital I/O circuits. The digital input circuits running off of this rail, having a TTL-level threshold and over-voltage protection, may be interfaced with 3.3/5.0 V, when the IO supply is 3.3 V, and 2.5/3.3/5.0 V when 2.5 V. |
| 98, 164   | L13, L5                                     | VCCPECL | -    | <b>Digital Power Supply - PECL Signal Detect Inputs.</b><br>+2.5/3.3 V supply for PECL Signal Detect input circuits. If Fiber Mode is not used (that is, G_FX/TP_L is pulled Low), the VCCPECL pins may be tied to GNDPECL to save power.  |
| 103, 116,<br>117, 130,<br>131, 144,<br>145, 158 | N13, P4,<br>P7, P8,<br>P9, P10,<br>P11, P12 | VCCR    | -    | <b>Analog Power Supply - Receive.</b><br>+2.5 V supply for all analog receive circuits.  |

1. Type Column Coding: I = Input, O = Output, OD = Open Drain output, ST = Schmitt Triggered input, TS = Three-State-able output, SL = Slew-rate Limited output, IP = weak Internal Pull-up, ID = weak Internal pull-Down.



**Table 15 Power Supply Signal Descriptions – PQFP (Sheet 2 of 2)**

| Pin/Ball Designation   |  | Symbol  | Type | Signal Description  |
|--|--|---------|------|---|
| PQFP   | PBGA   |         |      |   |
| 109, 123,<br>138, 152  | N6, N7,<br>N9, N11,<br>N12   | VCCT    | -    | <b>Analog Power Supply - Transmit.</b><br>+2.5 V supply for all analog transmit circuits.   |
| 66, 79,<br>183, 195  | A1, A9,<br>B3, B7,<br>C5, C13,<br>C17, D1,<br>D3, D6,<br>D10, D15,<br>E5, E7,<br>E9, E11,<br>E13, E17,<br>F13, H8,<br>H9, H10,<br>J8, J9,<br>J10, K8,<br>K9, K10 | GNDD    | -    | <b>Digital Ground.</b><br>Ground return for core digital supplies (VCCD). All ground pins can be tied together using a single ground plane.     |
| 9, 19, 30,<br>38, 48, 57,<br>74, 188,<br>199, 207  | -  | GNDIO   | -    | <b>Digital GND - I/O Ring.</b><br>Ground return for digital I/O circuits (VCCIO).   |
| 99, 163  | M5, M13  | GNDPECL | -    | <b>Digital GND - PECL Signal Detect Inputs.</b><br>Ground return for PECL Signal Detect input circuits.   |
| 106, 112,<br>120, 126,<br>135, 141,<br>149, 155  | P5, P6,<br>P13, R7,<br>R9, R11,<br>R13, U8   | GNDR    | -    | <b>Analog Ground - Receive.</b><br>Ground return for receive analog supply. All ground pins can be tied together using a single ground plane.   |
| 113, 127,<br>134, 148  | P14, R1,<br>R3, R5,<br>R15, R17,<br>T17, U2,<br>U4, U6,<br>U10, U12,<br>U14, U16,<br>U17   | GNDT    | -    | <b>Analog Ground - Transmit.</b><br>Ground return for transmit analog supply. All ground pins can be tied together using a single ground plane. |
| 179  | K14  | SGND    | -    | <b>Substrate Ground.</b><br>Ground for chip substrate. All ground pins can be tied together using a single ground plane.                        |
| 1. Type Column Coding: I = Input, O = Output, OD = Open Drain output, ST = Schmitt Triggered input, TS = Three-State-able output, SL = Slew-rate Limited output, IP = weak Internal Pull-up, ID = weak Internal pull-Down. |  |         |      |   |

**Table 16 Unused/Reserved Pins – PQFP**

| Pin/Ball Designation |  | Symbol | Type <sup>1</sup> | Signal Description |
|----------------------|--|--------|-------------------|--------------------|
| PQFP                 | PBGA   |        |                   |                    |
| NC                   | F15, G2, G5, G14, G16, H4, H14, J2, J13, K4, K15 | NC     | –                 | No Connection.     |

1. Type Column Coding: I = Input, O = Output, OD = Open Drain output, ST = Schmitt Triggered input, TS = Three-State-able output, SL = Slew-rate Limited output, IP = weak Internal Pull-up, ID = weak Internal pull-Down.

**Table 17 Receive FIFO Depth Considerations**

| FIFOSEL1 | FIFOSEL0 | Register 18.15 Value | Register 18.14 Value |
|----------|----------|----------------------|----------------------|
| 0        | 0        | 1                    | 0                    |
| 0        | 1        | 1                    | 1                    |
| 1        | 0        | 0                    | 0                    |
| 1        | 1        | 0                    | 1                    |

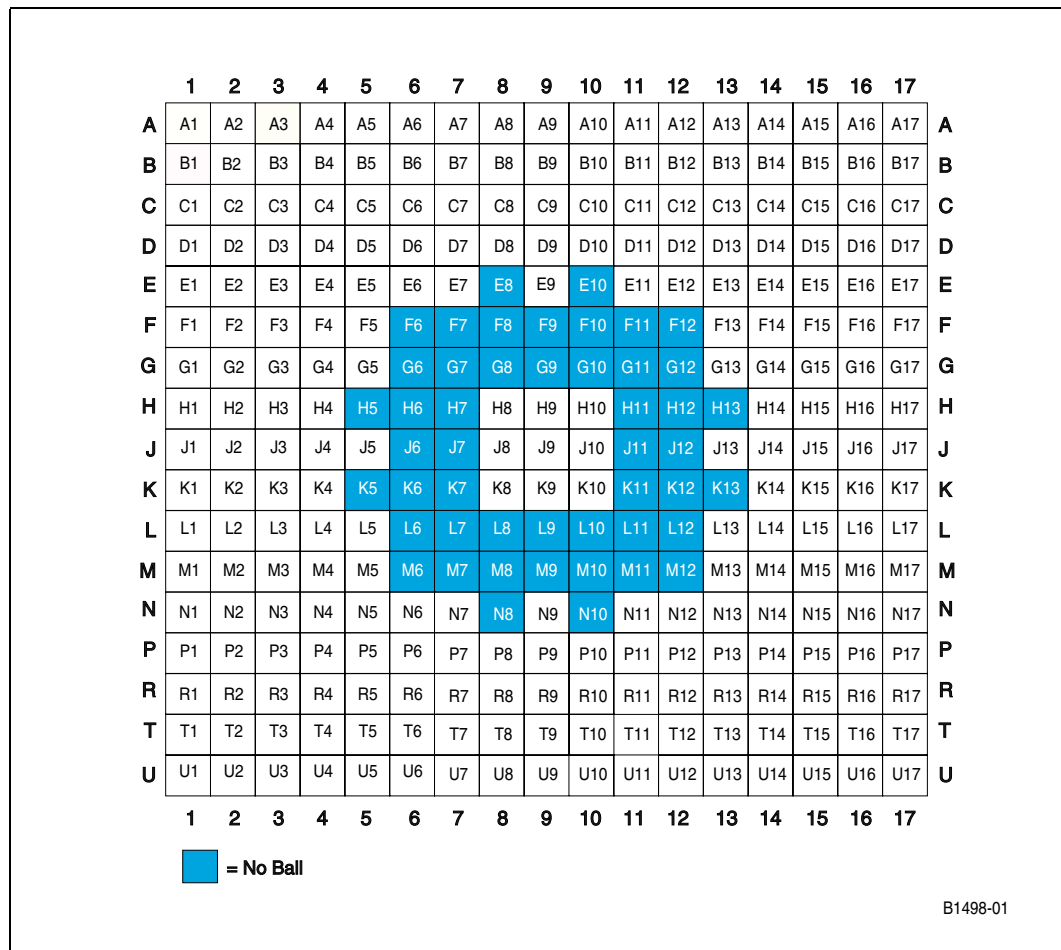
### 3.3 BGA23 Ball Assignments

The following sections provide BGA23 ball location and signal description information for RMII, SMII, and SS-SMII:

- 3.3.1, *RMII BGA23 Ball List*, on page 52
- 3.3.2, *SMII BGA23 Ball List*, on page 61
- 3.3.3, *SS-SMII BGA23 Ball List*, on page 70
- 3.4, *BGA23 Signal Descriptions*, on page 79

Figure 5 illustrates the LXT9785/LXT9785E 241-ball BGA23 ball locations for RMII, SMII, and SS-SMII.

Figure 5 241-Ball BGA23 Assignments (Top View)



### 3.3.1 RMII BGA23 Ball List

The following tables provide the RMII BGA23 ball locations and signal names arranged in alphanumeric order as follows:

- Table 18, *RMII BGA23 Ball List in Alphanumeric Order by Signal Name*
- Table 19, *RMII BGA23 Ball List in Alphanumeric Order by Ball Location*, on page 57

**Table 18 RMII BGA23 Ball List in Alphanumeric Order by Signal Name**

| Signal    | Ball | Type <sup>1</sup> | Reference for Full Description |
|-----------|------|-------------------|--------------------------------|
| ADD_0     | N2   | I, ST, ID         | Table 32                       |
| ADD_1     | N1   | I, ST, ID         | Table 32                       |
| ADD_2     | M3   | I, ST, ID         | Table 32                       |
| ADD_3     | M2   | I, ST, ID         | Table 32                       |
| ADD_4     | L4   | I, ST, ID         | Table 32                       |
| AMDIX_EN  | K1   | I, ST, IP         | Table 32                       |
| CFG_1     | M1   | I, ST, ID         | Table 32                       |
| CFG_2     | L3   | I, ST, ID         | Table 32                       |
| CFG_3     | L2   | I, ST, ID         | Table 32                       |
| CRS_DV0   | E4   | O, TS, SL, ID     | Table 24                       |
| CRS_DV1   | C4   | O, TS, SL, ID     | Table 24                       |
| CRS_DV2   | A5   | O, TS, SL, ID     | Table 24                       |
| CRS_DV3   | B8   | O, TS, SL, ID     | Table 24                       |
| CRS_DV4   | B12  | O, TS, SL, ID     | Table 24                       |
| CRS_DV5   | D12  | O, TS, SL, ID     | Table 24                       |
| CRS_DV6   | B16  | O, TS, SL, ID     | Table 24                       |
| CRS_DV7   | E15  | O, TS, SL, ID     | Table 24                       |
| G_FX/TP_L | M14  | I, ST, ID         | Table 32                       |
| GNDD      | A1   | –                 | Table 34                       |
| GNDD      | A9   | –                 | Table 34                       |
| GNDD      | B3   | –                 | Table 34                       |
| GNDD      | B7   | –                 | Table 34                       |
| GNDD      | C5   | –                 | Table 34                       |
| GNDD      | C13  | –                 | Table 34                       |
| GNDD      | C17  | –                 | Table 34                       |
| GNDD      | D1   | –                 | Table 34                       |
| GNDD      | D3   | –                 | Table 34                       |
| GNDD      | D6   | –                 | Table 34                       |
| GNDD      | D10  | –                 | Table 34                       |
| GNDD      | D15  | –                 | Table 34                       |
| GNDD      | E5   | –                 | Table 34                       |
| GNDD      | E7   | –                 | Table 34                       |
| GNDD      | E9   | –                 | Table 34                       |
| GNDD      | E11  | –                 | Table 34                       |
| GNDD      | E13  | –                 | Table 34                       |
| GNDD      | E17  | –                 | Table 34                       |
| GNDD      | F13  | –                 | Table 34                       |
| GNDD      | H8   | –                 | Table 34                       |
| GNDD      | H9   | –                 | Table 34                       |
| GNDD      | H10  | –                 | Table 34                       |
| GNDD      | J8   | –                 | Table 34                       |
| GNDD      | J9   | –                 | Table 34                       |
| GNDD      | J10  | –                 | Table 34                       |
| GNDD      | K8   | –                 | Table 34                       |
| GNDD      | K9   | –                 | Table 34                       |
| GNDD      | K10  | –                 | Table 34                       |
| GNDPECL   | M5   | –                 | Table 34                       |
| GNDPECL   | M13  | –                 | Table 34                       |
| GNDR      | P5   | –                 | Table 34                       |
| GNDR      | P6   | –                 | Table 34                       |
| GNDR      | P13  | –                 | Table 34                       |
| GNDR      | R7   | –                 | Table 34                       |
| GNDR      | R9   | –                 | Table 34                       |
| GNDR      | R11  | –                 | Table 34                       |
| GNDR      | R13  | –                 | Table 34                       |
| GNDR      | U8   | –                 | Table 34                       |
| GNDT      | P14  | –                 | Table 34                       |

| Signal   | Ball | Type <sup>1</sup> | Reference for Full Description |
|----------|------|-------------------|--------------------------------|
| GNDT     | R1   | –                 | Table 34                       |
| GNDT     | R3   | –                 | Table 34                       |
| GNDT     | R5   | –                 | Table 34                       |
| GNDT     | R15  | –                 | Table 34                       |
| GNDT     | R17  | –                 | Table 34                       |
| GNDT     | T17  | –                 | Table 34                       |
| GNDT     | U2   | –                 | Table 34                       |
| GNDT     | U4   | –                 | Table 34                       |
| GNDT     | U6   | –                 | Table 34                       |
| GNDT     | U10  | –                 | Table 34                       |
| GNDT     | U12  | –                 | Table 34                       |
| GNDT     | U14  | –                 | Table 34                       |
| GNDT     | U16  | –                 | Table 34                       |
| GNDT     | U17  | –                 | Table 34                       |
| LED0_1_L | K3   | OD, TS, SL, IP    | Table 33                       |
| LED0_2_L | K2   | OD, TS, SL, IP    | Table 33                       |
| LED0_3_L | J1   | OD, TS, SL, IP    | Table 33                       |
| LED1_1_L | J4   | OD, TS, SL, IP    | Table 33                       |
| LED1_2_L | J3   | OD, TS, SL, IP    | Table 33                       |
| LED1_3_L | H1   | OD, TS, SL, IP    | Table 33                       |
| LED2_1_L | H2   | OD, TS, SL, IP    | Table 33                       |
| LED2_2_L | H3   | OD, TS, SL, IP    | Table 33                       |
| LED2_3_L | G1   | OD, TS, SL, IP    | Table 33                       |
| LED3_1_L | F2   | OD, TS, SL, IP    | Table 33                       |
| LED3_2_L | G3   | OD, TS, SL, IP    | Table 33                       |
| LED3_3_L | G4   | OD, TS, SO, IP    | Table 33                       |
| LED4_1_L | K16  | OD, TS, SL, IP    | Table 33                       |
| LED4_2_L | K17  | OD, TS, SL, IP    | Table 33                       |
| LED4_3_L | J17  | OD, TS, SL, IP    | Table 33                       |

| Signal   | Ball | Type <sup>1</sup> | Reference for Full Description |
|----------|------|-------------------|--------------------------------|
| LED5_1_L | J15  | OD, TS, SL, IP    | Table 33                       |
| LED5_2_L | J16  | OD, TS, SL, IP    | Table 33                       |
| LED5_3_L | H17  | OD, TS, SL, IP    | Table 33                       |
| LED6_1_L | H15  | OD, TS, SL, IP    | Table 33                       |
| LED6_2_L | H16  | OD, TS, SL, IP    | Table 33                       |
| LED6_3_L | G17  | OD, TS, SL, IP    | Table 33                       |
| LED7_1_L | G15  | OD, TS, SL, IP    | Table 33                       |
| LED7_2_L | F17  | OD, TS, SL, IP    | Table 33                       |
| LED7_3_L | F16  | OD, TS, SL, IP    | Table 33                       |
| MDC0     | E1   | I, ST, ID         | Table 28                       |
| MDC1     | B10  | I, ST, ID         | Table 28                       |
| MDDIS    | L1   | I, ST, ID         | Table 28                       |
| MDINT0_L | F1   | OD, TS, SL, IP    | Table 28                       |
| MDINT1_L | C9   | OD, TS, SL, IP    | Table 28                       |
| MDIO0    | F3   | I/O, TS, SL, IP   | Table 28                       |
| MDIO1    | A10  | I/O, TS, SL, IP   | Table 28                       |
| ModeSel0 | L16  | I, ST, ID         | Table 32                       |
| ModeSel1 | L17  | I, ST, ID         | Table 32                       |
| NC       | F15  | –                 | Table 35                       |
| NC       | G2   | –                 | Table 35                       |
| NC       | G5   | –                 | Table 35                       |
| NC       | G14  | –                 | Table 35                       |
| NC       | G16  | –                 | Table 35                       |
| NC       | H4   | –                 | Table 35                       |
| NC       | H14  | –                 | Table 35                       |
| NC       | J2   | –                 | Table 35                       |
| NC       | J13  | –                 | Table 35                       |
| NC       | K4   | –                 | Table 35                       |
| NC       | K15  | –                 | Table 35                       |
| No ball  | F6   | –                 | –                              |

| Signal  | Ball | Type <sup>1</sup> | Reference for Full Description |
|---------|------|-------------------|--------------------------------|
| No ball | F7   | –                 | –                              |
| No ball | F8   | –                 | –                              |
| No Ball | E8   | –                 | –                              |
| No Ball | E10  | –                 | –                              |
| No Ball | F9   | –                 | –                              |
| No Ball | F10  | –                 | –                              |
| No Ball | F11  | –                 | –                              |
| No Ball | F12  | –                 | –                              |
| No Ball | G6   | –                 | –                              |
| No Ball | G7   | –                 | –                              |
| No Ball | G8   | –                 | –                              |
| No Ball | G9   | –                 | –                              |
| No Ball | G10  | –                 | –                              |
| No Ball | G11  | –                 | –                              |
| No Ball | G12  | –                 | –                              |
| No Ball | H5   | –                 | –                              |
| No Ball | H6   | –                 | –                              |
| No Ball | H7   | –                 | –                              |
| No Ball | H11  | –                 | –                              |
| No Ball | H12  | –                 | –                              |
| No Ball | H13  | –                 | –                              |
| No Ball | J6   | –                 | –                              |
| No Ball | J7   | –                 | –                              |
| No Ball | J11  | –                 | –                              |
| No Ball | J12  | –                 | –                              |
| No Ball | K5   | –                 | –                              |
| No Ball | K6   | –                 | –                              |
| No Ball | K7   | –                 | –                              |
| No Ball | K11  | –                 | –                              |
| No Ball | K12  | –                 | –                              |
| No Ball | K13  | –                 | –                              |
| No Ball | L6   | –                 | –                              |
| No Ball | L7   | –                 | –                              |
| No Ball | L8   | –                 | –                              |
| No Ball | L9   | –                 | –                              |
| No Ball | L10  | –                 | –                              |
| No Ball | L11  | –                 | –                              |
| No Ball | L11  | –                 | –                              |

| Signal          | Ball | Type <sup>1</sup>    | Reference for Full Description                       |
|-----------------|------|----------------------|--|
| No Ball         | M6   | –                    | –  |
| No Ball         | M7   | –                    | –  |
| No Ball         | M8   | –                    | –  |
| No Ball         | M9   | –                    | –  |
| No Ball         | M10  | –                    | –  |
| No Ball         | M11  | –                    | –  |
| No Ball         | M12  | –                    | –  |
| No Ball         | N8   | –                    | –  |
| No Ball         | N10  | –                    | –  |
| PWRDWN          | L14  | I, ST, ID            | <a href="#">Table 32</a>                             |
| REFCLK0         | E6   | I                    | <a href="#">Table 24</a>                             |
| REFCLK1         | E12  | I                    | <a href="#">Table 24</a>                             |
| RESET_L         | M15  | I, ST, IP            | <a href="#">Table 32</a>                             |
| RxData0_0       | C2   | O, TS                | <a href="#">Table 24</a>                             |
| RxData0_1       | B1   | O, TS, ID            | <a href="#">Table 24</a>                             |
| RxData1_0       | A3   | O, TS                | <a href="#">Table 24</a>                             |
| RxData1_1       | B4   | O, TS, ID            | <a href="#">Table 24</a>                             |
| RxData2_0       | B6   | O, TS                | <a href="#">Table 24</a>                             |
| RxData2_1       | C7   | O, TS, ID            | <a href="#">Table 24</a>                             |
| RxData3_0       | D9   | O, TS                | <a href="#">Table 24</a>                             |
| RxData3_1       | B9   | O, TS, ID            | <a href="#">Table 24</a>                             |
| RxData4_0       | A13  | O, TS                | <a href="#">Table 24</a>                             |
| RxData4_1       | C12  | O, TS, ID            | <a href="#">Table 24</a>                             |
| RxData5_0       | B14  | O, TS                | <a href="#">Table 24</a>                             |
| RxData5_1       | B15  | O, TS, ID            | <a href="#">Table 24</a>                             |
| RxData6_0       | C15  | O, TS                | <a href="#">Table 24</a>                             |
| RxData6_1       | B17  | O, TS, ID            | <a href="#">Table 24</a>                             |
| RxData7_0       | E16  | O, TS                | <a href="#">Table 24</a>                             |
| RxData7_1       | F14  | O, TS, ID            | <a href="#">Table 24</a>                             |
| RxER0 (MDIX)    | D2   | O, TS, SL, ID, I, ST | <a href="#">Table 24</a><br><a href="#">Table 32</a> |
| RxER1 (PAUSE)   | D5   | O, TS, SL, ID, I, ST | <a href="#">Table 24</a><br><a href="#">Table 32</a> |
| RxER2 (PREASEL) | D7   | O, TS, SL, ID, I, ST | <a href="#">Table 24</a><br><a href="#">Table 32</a> |
| RxER3           | C8   | O, TS, SL, ID        | <a href="#">Table 24</a>                             |

| Signal           | Ball | Type <sup>1</sup>    | Reference for Full Description |
|------------------|------|----------------------|--------------------------------|
| RxER4 (FIFOSEL0) | A12  | O, TS, SL, ID, I, ST | Table 24<br>Table 32           |
| RxER5 (FIFOSEL1) | A15  | O, TS, SL, ID, I, ST | Table 24<br>Table 32           |
| RxER6 LINKHOLD   | A17  | O, TS, SL, I, ID, ST | Table 24<br>Table 32           |
| RxER7            | D17  | O, TS, SL, ID        | Table 24                       |
| SD_2P5V          | P1   | I, ST, ID            | Table 29                       |
| SD0              | P2   | I                    | Table 29                       |
| SD1              | N4   | I                    | Table 29                       |
| SD2              | P3   | I                    | Table 29                       |
| SD3              | N5   | I                    | Table 29                       |
| SD4              | P15  | I                    | Table 29                       |
| SD5              | P16  | I                    | Table 29                       |
| SD6              | P17  | I                    | Table 29                       |
| SD7              | N17  | I                    | Table 29                       |
| SECTION          | L15  | I, ST, ID            | Table 32                       |
| SGND             | K14  | –                    | Table 34                       |
| TCK              | M16  | I, ST, ID            | Table 31                       |
| TDI              | N14  | I, ST, IP            | Table 31                       |
| TDO              | N15  | O, TS                | Table 31                       |
| TMS              | N16  | I, ST, IP            | Table 31                       |
| TPFIN0           | T1   | AO/AI                | Table 30                       |
| TPFIN1           | T4   | AO/AI                | Table 30                       |
| TPFIN2           | T5   | AO/AI                | Table 30                       |
| TPFIN3           | R8   | AO/AI                | Table 30                       |
| TPFIN4           | U9   | AO/AI                | Table 30                       |
| TPFIN5           | T12  | AO/AI                | Table 30                       |
| TPFIN6           | T13  | AO/AI                | Table 30                       |
| TPFIN7           | T16  | AO/AI                | Table 30                       |
| TPFIP0           | R2   | AO/AI                | Table 30                       |
| TPFIP1           | U3   | AO/AI                | Table 30                       |
| TPFIP2           | R6   | AO/AI                | Table 30                       |
| TPFIP3           | T8   | AO/AI                | Table 30                       |
| TPFIP4           | T9   | AO/AI                | Table 30                       |
| TPFIP5           | U13  | AO/AI                | Table 30                       |
| TPFIP6           | R12  | AO/AI                | Table 30                       |

| Signal    | Ball | Type <sup>1</sup> | Reference for Full Description |
|-----------|------|-------------------|--------------------------------|
| TPFIP7    | R16  | AO/AI             | Table 30                       |
| TPFON0    | U1   | AO/AI             | Table 30                       |
| TPFON1    | R4   | AO/AI             | Table 30                       |
| TPFON2    | U5   | AO/AI             | Table 30                       |
| TPFON3    | T7   | AO/AI             | Table 30                       |
| TPFON4    | R10  | AO/AI             | Table 30                       |
| TPFON5    | U11  | AO/AI             | Table 30                       |
| TPFON6    | U15  | AO/AI             | Table 30                       |
| TPFON7    | T15  | AO/AI             | Table 30                       |
| TPFOP0    | T2   | AO/AI             | Table 30                       |
| TPFOP1    | T3   | AO/AI             | Table 30                       |
| TPFOP2    | T6   | AO/AI             | Table 30                       |
| TPFOP3    | U7   | AO/AI             | Table 30                       |
| TPFOP4    | T10  | AO/AI             | Table 30                       |
| TPFOP5    | T11  | AO/AI             | Table 30                       |
| TPFOP6    | T14  | AO/AI             | Table 30                       |
| TPFOP7    | R14  | AO/AI             | Table 30                       |
| TRST_L    | M17  | I, ST, IP         | Table 31                       |
| TxData0_0 | E2   | I, ID             | Table 24                       |
| TxData0_1 | F4   | I, ID             | Table 24                       |
| TxData1_0 | C3   | I, ID             | Table 24                       |
| TxData1_1 | D4   | I, ID             | Table 24                       |
| TxData2_0 | B5   | I, ID             | Table 24                       |
| TxData2_1 | A4   | I, ID             | Table 24                       |
| TxData3_0 | D8   | I, ID             | Table 24                       |
| TxData3_1 | A6   | I, ID             | Table 24                       |
| TxData4_0 | A11  | I, ID             | Table 24                       |
| TxData4_1 | C10  | I, ID             | Table 24                       |
| TxData5_0 | B13  | I, ID             | Table 24                       |
| TxData5_1 | D11  | I, ID             | Table 24                       |
| TxData6_0 | D13  | I, ID             | Table 24                       |
| TxData6_1 | A16  | I, ID             | Table 24                       |
| TxData7_0 | E14  | I, ID             | Table 24                       |
| TxData7_1 | C16  | I, ID             | Table 24                       |
| TxEN0     | E3   | I, ID             | Table 24                       |
| TxEN1     | B2   | I, ID             | Table 24                       |
| TxEN2     | C6   | I, ID             | Table 24                       |

| Signal   | Ball | Type <sup>1</sup> | Reference for Full Description |
|----------|------|-------------------|--------------------------------|
| TxEN3    | A7   | I, ID             | Table 24                       |
| TxEN4    | B11  | I, ID             | Table 24                       |
| TxEN5    | A14  | I, ID             | Table 24                       |
| TxEN6    | C14  | I, ID             | Table 24                       |
| TxEN7    | D16  | I, ID             | Table 24                       |
| TxSLEW_0 | N3   | I, ST, ID         | Table 32                       |
| TxSLEW_1 | M4   | I, ST, ID         | Table 32                       |
| VCCD     | F5   | –                 | Table 34                       |
| VCCD     | G13  | –                 | Table 34                       |
| VCCD     | J5   | –                 | Table 34                       |
| VCCD     | J14  | –                 | Table 34                       |
| VCCIO    | A2   | –                 | Table 34                       |
| VCCIO    | A8   | –                 | Table 34                       |
| VCCIO    | C1   | –                 | Table 34                       |
| VCCIO    | C11  | –                 | Table 34                       |
| VCCIO    | D14  | –                 | Table 34                       |
| VCCPECL  | L5   | –                 | Table 34                       |
| VCCPECL  | L13  | –                 | Table 34                       |
| VCCR     | N13  | –                 | Table 34                       |
| VCCR     | P4   | –                 | Table 34                       |
| VCCR     | P7   | –                 | Table 34                       |
| VCCR     | P8   | –                 | Table 34                       |
| VCCR     | P9   | –                 | Table 34                       |
| VCCR     | P10  | –                 | Table 34                       |
| VCCR     | P11  | –                 | Table 34                       |
| VCCR     | P12  | –                 | Table 34                       |
| VCCT     | N6   | –                 | Table 34                       |
| VCCT     | N7   | –                 | Table 34                       |
| VCCT     | N9   | –                 | Table 34                       |
| VCCT     | N11  | –                 | Table 34                       |
| VCCT     | N12  | –                 | Table 34                       |



**Table 19 RMI BGA23 Ball List in Alphanumeric Order by Ball Location**

| Ball | Signal           | Type <sup>1</sup>    | Reference for Full Description | Ball | Signal          | Type <sup>1</sup>    | Reference for Full Description |
|------|------------------|----------------------|--------------------------------|------|-----------------|----------------------|--------------------------------|
| A1   | GNDD             | –                    | Table 34                       | B15  | RxData5_1       | O, TS, ID            | Table 24                       |
| A2   | VCCIO            | –                    | Table 34                       | B16  | CRS_DV6         | O, TS, SL, ID        | Table 24                       |
| A3   | RxData1_0        | O, TS                | Table 24                       | B17  | RxData6_1       | O, TS, ID            | Table 24                       |
| A4   | TxData2_1        | I, ID                | Table 24                       | C1   | VCCIO           | –                    | Table 34                       |
| A5   | CRS_DV2          | O, TS, SL, ID        | Table 24                       | C2   | RxData0_0       | O, TS                | Table 24                       |
| A6   | TxData3_1        | I, ID                | Table 24                       | C3   | TxData1_0       | I, ID                | Table 24                       |
| A7   | TxEN3            | I, ID                | Table 24                       | C4   | CRS_DV1         | O, TS, SL, ID        | Table 24                       |
| A8   | VCCIO            | –                    | Table 34                       | C5   | GNDD            | –                    | Table 34                       |
| A9   | GNDD             | –                    | Table 34                       | C6   | TxEN2           | I, ID                | Table 24                       |
| A10  | MDIO1            | I/O, TS, SL, IP      | Table 28                       | C7   | RxData2_1       | O, TS, ID            | Table 24                       |
| A11  | TxData4_0        | I, ID                | Table 24                       | C8   | RxER3           | O, TS, SL, ID        | Table 24                       |
| A12  | RxER4 (FIFOSEL0) | O, TS, SL, ID, I, ST | Table 24<br>Table 32           | C9   | MDINT1_L        | OD, TS, SL, IP       | Table 28                       |
| A13  | RxData4_0        | O, TS                | Table 24                       | C10  | TxData4_1       | I, ID                | Table 24                       |
| A14  | TxEN5            | I, ID                | Table 24                       | C11  | VCCIO           | –                    | Table 34                       |
| A15  | RxER5 (FIFOSEL1) | O, TS, SL, ID, I, ST | Table 24<br>Table 32           | C12  | RxData4_1       | O, TS, ID            | Table 24                       |
| A16  | TxData6_1        | I, ID                | Table 24                       | C13  | GNDD            | –                    | Table 34                       |
| A17  | RxER6LINK HOLD   | O, TS, SL, I, ID, ST | Table 24<br>Table 32           | C14  | TxEN6           | I, ID                | Table 24                       |
| B1   | RxData0_1        | O, TS, ID            | Table 24                       | C15  | RxData6_0       | O, TS                | Table 24                       |
| B2   | TxEN1            | I, ID                | Table 24                       | C16  | TxData7_1       | I, ID                | Table 24                       |
| B3   | GNDD             | –                    | Table 34                       | C17  | GNDD            | –                    | Table 34                       |
| B4   | RxData1_1        | O, TS, ID            | Table 24                       | D1   | GNDD            | –                    | Table 34                       |
| B5   | TxData2_0        | I, ID                | Table 24                       | D2   | RxER0 (MDIX)    | O, TS, SL, I, ID, ST | Table 24<br>Table 32           |
| B6   | RxData2_0        | O, TS                | Table 24                       | D3   | GNDD            | –                    | Table 34                       |
| B7   | GNDD             | –                    | Table 34                       | D4   | TxData1_1       | I, ID                | Table 24                       |
| B8   | CRS_DV3          | O, TS, SL, ID        | Table 24                       | D5   | RxER1 (PAUSE)   | O, TS, SL, ID, I, ST | Table 24<br>Table 32           |
| B9   | RxData3_1        | O, TS, ID            | Table 24                       | D6   | GNDD            | –                    | Table 34                       |
| B10  | MDC1             | I, ST, ID            | Table 28                       | D7   | RxER2 (PREASEL) | O, TS, SL, I, ID, ST | Table 24<br>Table 32           |
| B11  | TxEN4            | I, ID                | Table 24                       | D8   | TxData3_0       | I, ID                | Table 24                       |
| B12  | CRS_DV4          | O, TS, SL, ID        | Table 24                       | D9   | RxData3_0       | O, TS                | Table 24                       |
| B13  | TxData5_0        | I, ID                | Table 24                       | D10  | GNDD            | –                    | Table 34                       |
| B14  | RxData5_0        | O, TS                | Table 24                       | D11  | TxData5_1       | I, ID                | Table 24                       |

| Ball | Signal    | Type <sup>1</sup> | Reference for Full Description |
|------|-----------|-------------------|--------------------------------|
| D12  | CRS_DV5   | O, TS, SL, ID     | Table 24                       |
| D13  | TxData6_0 | I, ID             | Table 24                       |
| D14  | VCCIO     | –                 | Table 34                       |
| D15  | GNDD      | –                 | Table 34                       |
| D16  | TxEN7     | I, ID             | Table 24                       |
| D17  | RxER7     | O, TS, SL, ID     | Table 24                       |
| E1   | MDC0      | I, ST, ID         | Table 28                       |
| E2   | TxData0_0 | I, ID             | Table 24                       |
| E3   | TxEN0     | I, ID             | Table 24                       |
| E4   | CRS_DV0   | O, TS, SL, ID     | Table 24                       |
| E5   | GNDD      | –                 | Table 34                       |
| E6   | REFCLK0   | I                 | Table 24                       |
| E7   | GNDD      | –                 | Table 34                       |
| E8   | No Ball   | –                 | –                              |
| E9   | GNDD      | –                 | Table 34                       |
| E10  | No Ball   |                   |                                |
| E11  | GNDD      | –                 | Table 34                       |
| E12  | REFCLK1   | I                 | Table 24                       |
| E13  | GNDD      | –                 | Table 34                       |
| E14  | TxData7_0 | I, ID             | Table 24                       |
| E15  | CRS_DV7   | O, TS, SL, ID     | Table 24                       |
| E16  | RxData7_0 | O, TS             | Table 24                       |
| E17  | GNDD      | –                 | Table 34                       |
| F1   | MDINT0_L  | OD, TS, SL, IP    | Table 28                       |
| F2   | LED3_1_L  | OD, TS, SL, IP    | Table 33                       |
| F3   | MDIO0     | I/O, TS, SL, IP   | Table 28                       |
| F4   | TxData0_1 | I, ID             | Table 24                       |
| F5   | VCCD      | –                 | Table 34                       |
| F6   | No ball   | –                 | –                              |
| F7   | No ball   | –                 | –                              |
| F8   | No ball   | –                 | –                              |
| F9   | No Ball   | –                 | –                              |
| F10  | No Ball   | –                 | –                              |
| F11  | No Ball   | –                 | –                              |

| Ball | Signal    | Type <sup>1</sup> | Reference for Full Description |
|------|-----------|-------------------|--------------------------------|
| F12  | No Ball   | –                 | –                              |
| F13  | GNDD      | –                 | Table 34                       |
| F14  | RxData7_1 | O, TS, ID         | Table 24                       |
| F15  | NC        | –                 | Table 35                       |
| F16  | LED7_3_L  | OD, TS, SL, IP    | Table 33                       |
| F17  | LED7_2_L  | OD, TS, SL, IP    | Table 33                       |
| G1   | LED2_3_L  | OD, TS, SL, IP    | Table 33                       |
| G2   | NC        | –                 | Table 35                       |
| G3   | LED3_2_L  | OD, TS, SL, IP    | Table 33                       |
| G4   | LED3_3_L  | OD, TS, SO, IP    | Table 33                       |
| G5   | NC        | –                 | Table 35                       |
| G6   | No Ball   | –                 | –                              |
| G7   | No Ball   | –                 | –                              |
| G8   | No Ball   | –                 | –                              |
| G9   | No Ball   | –                 | –                              |
| G10  | No Ball   | –                 | –                              |
| G11  | No Ball   | –                 | –                              |
| G12  | No Ball   | –                 | –                              |
| G13  | VCCD      | –                 | Table 34                       |
| G14  | NC        | –                 | Table 35                       |
| G15  | LED7_1_L  | OD, TS, SL, IP    | Table 33                       |
| G16  | NC        | –                 | Table 35                       |
| G17  | LED6_3_L  | OD, TS, SL, IP    | Table 33                       |
| H1   | LED1_3_L  | OD, TS, SL, IP    | Table 33                       |
| H2   | LED2_1_L  | OD, TS, SL, IP    | Table 33                       |
| H3   | LED2_2_L  | OD, TS, SL, IP    | Table 33                       |
| H4   | NC        | –                 | Table 35                       |
| H5   | No Ball   | –                 | –                              |
| H6   | No Ball   | –                 | –                              |
| H7   | No Ball   | –                 | –                              |
| H8   | GNDD      | –                 | Table 34                       |
| H9   | GNDD      | –                 | Table 34                       |

| Ball | Signal   | Type <sup>1</sup> | Reference for Full Description |
|------|----------|-------------------|--------------------------------|
| H10  | GNDD     | –                 | Table 34                       |
| H11  | No Ball  | –                 | –                              |
| H12  | No Ball  | –                 | –                              |
| H13  | No Ball  | –                 | –                              |
| H14  | NC       | –                 | Table 35                       |
| H15  | LED6_1_L | OD, TS, SL, IP    | Table 33                       |
| H16  | LED6_2_L | OD, TS, SL, IP    | Table 33                       |
| H17  | LED5_3_L | OD, TS, SL, IP    | Table 33                       |
| J1   | LED0_3_L | OD, TS, SL, IP    | Table 33                       |
| J2   | NC       | –                 | Table 35                       |
| J3   | LED1_2_L | OD, TS, SL, IP    | Table 33                       |
| J4   | LED1_1_L | OD, TS, SL, IP    | Table 33                       |
| J5   | VCCD     | –                 | Table 34                       |
| J6   | No Ball  | –                 | –                              |
| J7   | No Ball  | –                 | –                              |
| J8   | GNDD     | –                 | Table 34                       |
| J9   | GNDD     | –                 | Table 34                       |
| J10  | GNDD     | –                 | Table 34                       |
| J11  | No Ball  | –                 | –                              |
| J12  | No Ball  | –                 | –                              |
| J13  | NC       | –                 | Table 35                       |
| J14  | VCCD     | –                 | Table 34                       |
| J15  | LED5_1_L | OD, TS, SL, IP    | Table 33                       |
| J16  | LED5_2_L | OD, TS, SL, IP    | Table 33                       |
| J17  | LED4_3_L | OD, TS, SL, IP    | Table 33                       |
| K1   | AMDIX_EN | I, ST, IP         | Table 32                       |
| K2   | LED0_2_L | OD, TS, SL, IP    | Table 33                       |
| K3   | LED0_1_L | OD, TS, SL, IP    | Table 33                       |
| K4   | NC       | –                 | Table 35                       |
| K5   | No Ball  | –                 | –                              |
| K6   | No Ball  | –                 | –                              |

| Ball | Signal   | Type <sup>1</sup> | Reference for Full Description |
|------|----------|-------------------|--------------------------------|
| K7   | No Ball  | –                 | –                              |
| K8   | GNDD     | –                 | Table 34                       |
| K9   | GNDD     | –                 | Table 34                       |
| K10  | GNDD     | –                 | Table 34                       |
| K11  | No Ball  | –                 | –                              |
| K12  | No Ball  | –                 | –                              |
| K13  | No Ball  | –                 | –                              |
| K14  | SGND     | –                 | Table 34                       |
| K15  | NC       | –                 | Table 35                       |
| K16  | LED4_1_L | OD, TS, SL, IP    | Table 33                       |
| K17  | LED4_2_L | OD, TS, SL, IP    | Table 33                       |
| L1   | MDDIS    | I, ST, ID         | Table 28                       |
| L2   | CFG_3    | I, ST, ID         | Table 32                       |
| L3   | CFG_2    | I, ST, ID         | Table 32                       |
| L4   | ADD_4    | I, ST, ID         | Table 32                       |
| L5   | VCCPECL  | –                 | Table 34                       |
| L6   | No Ball  | –                 | –                              |
| L7   | No Ball  | –                 | –                              |
| L8   | No Ball  | –                 | –                              |
| L9   | No Ball  | –                 | –                              |
| L10  | No Ball  | –                 | –                              |
| L11  | No Ball  | –                 | –                              |
| L11  | No Ball  | –                 | –                              |
| L13  | VCCPECL  | –                 | Table 34                       |
| L14  | PWRDWN   | I, ST, ID         | Table 32                       |
| L15  | SECTION  | I, ST, ID         | Table 32                       |
| L16  | ModeSel0 | I, ST, ID         | Table 32                       |
| L17  | ModeSel1 | I, ST, ID         | Table 32                       |
| M1   | CFG_1    | I, ST, ID         | Table 32                       |
| M2   | ADD_3    | I, ST, ID         | Table 32                       |
| M3   | ADD_2    | I, ST, ID         | Table 32                       |
| M4   | TxSLEW_1 | I, ST, ID         | Table 32                       |
| M5   | GNDPECL  | –                 | Table 34                       |
| M6   | No Ball  | –                 | –                              |
| M7   | No Ball  | –                 | –                              |
| M8   | No Ball  | –                 | –                              |
| M9   | No Ball  | –                 | –                              |

| Ball | Signal    | Type <sup>1</sup> | Reference for Full Description |
|------|-----------|-------------------|--------------------------------|
| M10  | No Ball   | –                 | –                              |
| M11  | No Ball   | –                 | –                              |
| M12  | No Ball   | –                 | –                              |
| M13  | GNDPECL   | –                 | Table 34                       |
| M14  | G_FX/TP_L | I, ST, ID         | Table 32                       |
| M15  | RESET_L   | I, ST, IP         | Table 32                       |
| M16  | TCK       | I, ST, ID         | Table 31                       |
| M17  | TRST_L    | I, ST, IP         | Table 31                       |
| N1   | ADD_1     | I, ST, ID         | Table 32                       |
| N2   | ADD_0     | I, ST, ID         | Table 32                       |
| N3   | TxSLEW_0  | I, ST, ID         | Table 32                       |
| N4   | SD1       | I                 | Table 29                       |
| N5   | SD3       | I                 | Table 29                       |
| N6   | VCCT      | –                 | Table 34                       |
| N7   | VCCT      | –                 | Table 34                       |
| N8   | No Ball   | –                 | –                              |
| N9   | VCCT      | –                 | Table 34                       |
| N10  | No Ball   | –                 | –                              |
| N11  | VCCT      | –                 | Table 34                       |
| N12  | VCCT      | –                 | Table 34                       |
| N13  | VCCR      | –                 | Table 34                       |
| N14  | TDI       | I, ST, IP         | Table 31                       |
| N15  | TDO       | O, TS             | Table 31                       |
| N16  | TMS       | I, ST, IP         | Table 31                       |
| N17  | SD7       | I                 | Table 29                       |
| P1   | SD_2P5V   | I, ST, ID         | Table 29                       |
| P2   | SD0       | I                 | Table 29                       |
| P3   | SD2       | I                 | Table 29                       |
| P4   | VCCR      | –                 | Table 34                       |
| P5   | GNDR      | –                 | Table 34                       |
| P6   | GNDR      | –                 | Table 34                       |
| P7   | VCCR      | –                 | Table 34                       |
| P8   | VCCR      | –                 | Table 34                       |
| P9   | VCCR      | –                 | Table 34                       |
| P10  | VCCR      | –                 | Table 34                       |
| P11  | VCCR      | –                 | Table 34                       |
| P12  | VCCR      | –                 | Table 34                       |
| P13  | GNDR      | –                 | Table 34                       |

| Ball | Signal | Type <sup>1</sup> | Reference for Full Description |
|------|--------|-------------------|--------------------------------|
| P14  | GNDT   | –                 | Table 34                       |
| P15  | SD4    | I                 | Table 29                       |
| P16  | SD5    | I                 | Table 29                       |
| P17  | SD6    | I                 | Table 29                       |
| R1   | GNDT   | –                 | Table 34                       |
| R2   | TPFIP0 | AO/AI             | Table 30                       |
| R3   | GNDT   | –                 | Table 34                       |
| R4   | TPFON1 | AO/AI             | Table 30                       |
| R5   | GNDT   | –                 | Table 34                       |
| R6   | TPFIP2 | AO/AI             | Table 30                       |
| R7   | GNDR   | –                 | Table 34                       |
| R8   | TPFIN3 | AO/AI             | Table 30                       |
| R9   | GNDR   | –                 | Table 34                       |
| R10  | TPFON4 | AO/AI             | Table 30                       |
| R11  | GNDR   | –                 | Table 34                       |
| R12  | TPFIP6 | AO/AI             | Table 30                       |
| R13  | GNDR   | –                 | Table 34                       |
| R14  | TPFOP7 | AO/AI             | Table 30                       |
| R15  | GNDT   | –                 | Table 34                       |
| R16  | TPFIP7 | AO/AI             | Table 30                       |
| R17  | GNDT   | –                 | Table 34                       |
| T1   | TPFIN0 | AO/AI             | Table 30                       |
| T2   | TPFOP0 | AO/AI             | Table 30                       |
| T3   | TPFOP1 | AO/AI             | Table 30                       |
| T4   | TPFIN1 | AO/AI             | Table 30                       |
| T5   | TPFIN2 | AO/AI             | Table 30                       |
| T6   | TPFOP2 | AO/AI             | Table 30                       |
| T7   | TPFON3 | AO/AI             | Table 30                       |
| T8   | TPFIP3 | AO/AI             | Table 30                       |
| T9   | TPFIP4 | AO/AI             | Table 30                       |
| T10  | TPFOP4 | AO/AI             | Table 30                       |
| T11  | TPFOP5 | AO/AI             | Table 30                       |
| T12  | TPFIN5 | AO/AI             | Table 30                       |
| T13  | TPFIN6 | AO/AI             | Table 30                       |
| T14  | TPFOP6 | AO/AI             | Table 30                       |
| T15  | TPFON7 | AO/AI             | Table 30                       |
| T16  | TPFIN7 | AO/AI             | Table 30                       |
| T17  | GNDT   | –                 | Table 34                       |

| Ball | Signal | Type <sup>1</sup> | Reference for Full Description |
|------|--------|-------------------|--------------------------------|
| U1   | TPFON0 | AO/AI             | Table 30                       |
| U2   | GNDT   | –                 | Table 34                       |
| U3   | TPFIP1 | AO/AI             | Table 30                       |
| U4   | GNDT   | –                 | Table 34                       |
| U5   | TPFON2 | AO/AI             | Table 30                       |
| U6   | GNDT   | –                 | Table 34                       |
| U7   | TPFOP3 | AO/AI             | Table 30                       |
| U8   | GNDR   | –                 | Table 34                       |
| U9   | TPFIN4 | AO/AI             | Table 30                       |
| U10  | GNDT   | –                 | Table 34                       |
| U11  | TPFON5 | AO/AI             | Table 30                       |
| U12  | GNDT   | –                 | Table 34                       |
| U13  | TPFIP5 | AO/AI             | Table 30                       |
| U14  | GNDT   | –                 | Table 34                       |
| U15  | TPFON6 | AO/AI             | Table 30                       |
| U16  | GNDT   | –                 | Table 34                       |
| U17  | GNDT   | –                 | Table 34                       |

### 3.3.2 SMII BGA23 Ball List

The following tables provide the SMII ball locations and signal names arranged in alphanumeric order as follows:

- [Table 20, SMII BGA23 Ball List in Alphanumeric Order by Signal Name](#)
- [Table 21, SMII BGA23 Ball List in Alphanumeric Order by Ball Location, on page 66](#)

**Table 20 SMII BGA23 Ball List in Alphanumeric Order by Signal Name**

| Signal   | Ball | Type <sup>1</sup>    | Reference for Full Description |
|----------|------|----------------------|--------------------------------|
| ADD_0    | N2   | I, ST, ID            | Table 32                       |
| ADD_1    | N1   | I, ST, ID            | Table 32                       |
| ADD_2    | M3   | I, ST, ID            | Table 32                       |
| ADD_3    | M2   | I, ST, ID            | Table 32                       |
| ADD_4    | L4   | I, ST, ID            | Table 32                       |
| AMDIX_EN | K1   | I, ST, IP            | Table 32                       |
| CFG_1    | M1   | I, ST, ID            | Table 32                       |
| CFG_2    | L3   | I, ST, ID            | Table 32                       |
| CFG_3    | L2   | I, ST, ID            | Table 32                       |
| FIFOSEL0 | A12  | O, TS, SL, ID, I, ST | Table 32                       |

| Signal    | Ball | Type <sup>1</sup>    | Reference for Full Description |
|-----------|------|----------------------|--------------------------------|
| FIFOSEL1  | A15  | O, TS, SL, ID, I, ST | Table 32                       |
| G_FX/TP_L | M14  | I, ST, ID            | Table 32                       |
| GNDD      | A1   | –                    | Table 34                       |
| GNDD      | A9   | –                    | Table 34                       |
| GNDD      | B3   | –                    | Table 34                       |
| GNDD      | B7   | –                    | Table 34                       |
| GNDD      | C5   | –                    | Table 34                       |
| GNDD      | C13  | –                    | Table 34                       |
| GNDD      | C17  | –                    | Table 34                       |
| GNDD      | D1   | –                    | Table 34                       |

| Signal  | Ball | Type <sup>1</sup> | Reference for Full Description |
|---------|------|-------------------|--------------------------------|
| GNDD    | D3   | –                 | Table 34                       |
| GNDD    | D6   | –                 | Table 34                       |
| GNDD    | D10  | –                 | Table 34                       |
| GNDD    | D15  | –                 | Table 34                       |
| GNDD    | E5   | –                 | Table 34                       |
| GNDD    | E7   | –                 | Table 34                       |
| GNDD    | E9   | –                 | Table 34                       |
| GNDD    | E11  | –                 | Table 34                       |
| GNDD    | E13  | –                 | Table 34                       |
| GNDD    | E17  | –                 | Table 34                       |
| GNDD    | F13  | –                 | Table 34                       |
| GNDD    | H8   | –                 | Table 34                       |
| GNDD    | H9   | –                 | Table 34                       |
| GNDD    | H10  | –                 | Table 34                       |
| GNDD    | J8   | –                 | Table 34                       |
| GNDD    | J9   | –                 | Table 34                       |
| GNDD    | J10  | –                 | Table 34                       |
| GNDD    | K8   | –                 | Table 34                       |
| GNDD    | K9   | –                 | Table 34                       |
| GNDD    | K10  | –                 | Table 34                       |
| GNDPECL | M5   | –                 | Table 34                       |
| GNDPECL | M13  | –                 | Table 34                       |
| GNDR    | P5   | –                 | Table 34                       |
| GNDR    | P6   | –                 | Table 34                       |
| GNDR    | P13  | –                 | Table 34                       |
| GNDR    | R7   | –                 | Table 34                       |
| GNDR    | R9   | –                 | Table 34                       |
| GNDR    | R11  | –                 | Table 34                       |
| GNDR    | R13  | –                 | Table 34                       |
| GNDR    | U8   | –                 | Table 34                       |
| GNDT    | P14  | –                 | Table 34                       |
| GNDT    | R1   | –                 | Table 34                       |
| GNDT    | R3   | –                 | Table 34                       |
| GNDT    | R5   | –                 | Table 34                       |
| GNDT    | R15  | –                 | Table 34                       |
| GNDT    | R17  | –                 | Table 34                       |
| GNDT    | T17  | –                 | Table 34                       |

| Signal   | Ball | Type <sup>1</sup> | Reference for Full Description |
|----------|------|-------------------|--------------------------------|
| GNDT     | U2   | –                 | Table 34                       |
| GNDT     | U4   | –                 | Table 34                       |
| GNDT     | U6   | –                 | Table 34                       |
| GNDT     | U10  | –                 | Table 34                       |
| GNDT     | U12  | –                 | Table 34                       |
| GNDT     | U14  | –                 | Table 34                       |
| GNDT     | U16  | –                 | Table 34                       |
| GNDT     | U17  | –                 | Table 34                       |
| LED0_1_L | K3   | OD, TS, SL, IP    | Table 33                       |
| LED0_2_L | K2   | OD, TS, SL, IP    | Table 33                       |
| LED0_3_L | J1   | OD, TS, SL, IP    | Table 33                       |
| LED1_1_L | J4   | OD, TS, SL, IP    | Table 33                       |
| LED1_2_L | J3   | OD, TS, SL, IP    | Table 33                       |
| LED1_3_L | H1   | OD, TS, SL, IP    | Table 33                       |
| LED2_1_L | H2   | OD, TS, SL, IP    | Table 33                       |
| LED2_2_L | H3   | OD, TS, SL, IP    | Table 33                       |
| LED2_3_L | G1   | OD, TS, SL, IP    | Table 33                       |
| LED3_1_L | F2   | OD, TS, SL, IP    | Table 33                       |
| LED3_2_L | G3   | OD, TS, SL, IP    | Table 33                       |
| LED3_3_L | G4   | OD, TS, SO, IP    | Table 33                       |
| LED4_1_L | K16  | OD, TS, SL, IP    | Table 33                       |
| LED4_2_L | K17  | OD, TS, SL, IP    | Table 33                       |
| LED4_3_L | J17  | OD, TS, SL, IP    | Table 33                       |
| LED5_1_L | J15  | OD, TS, SL, IP    | Table 33                       |
| LED5_2_L | J16  | OD, TS, SL, IP    | Table 33                       |
| LED5_3_L | H17  | OD, TS, SL, IP    | Table 33                       |
| LED6_1_L | H15  | OD, TS, SL, IP    | Table 33                       |

| Signal   | Ball | Type <sup>1</sup> | Reference for Full Description |
|----------|------|-------------------|--------------------------------|
| LED6_2_L | H16  | OD, TS, SL, IP    | Table 33                       |
| LED6_3_L | G17  | OD, TS, SL, IP    | Table 33                       |
| LED7_1_L | G15  | OD, TS, SL, IP    | Table 33                       |
| LED7_2_L | F17  | OD, TS, SL, IP    | Table 33                       |
| LED7_3_L | F16  | OD, TS, SL, IP    | Table 33                       |
| MDC0     | E1   | I, ST, ID         | Table 28                       |
| MDC1     | B10  | I, ST, ID         | Table 28                       |
| MDDIS    | L1   | I, ST, ID         | Table 28                       |
| MDINT0_L | F1   | OD, TS, SL, IP    | Table 28                       |
| MDINT1_L | C9   | OD, TS, SL, IP    | Table 28                       |
| MDIO0    | F3   | I/O, TS, SL, IP   | Table 28                       |
| MDIO1    | A10  | I/O, TS, SL, IP   | Table 28                       |
| MDIX     | D2   | I, ID, ST         | Table 32                       |
| ModeSel0 | L16  | I, ST, ID         | Table 32                       |
| ModeSel1 | L17  | I, ST, ID         | Table 32                       |
| NC       | A4   | –                 | Table 35                       |
| NC       | A5   | –                 | Table 35                       |
| NC       | A7   | –                 | Table 35                       |
| NC       | A14  | –                 | Table 35                       |
| NC       | A16  | –                 | Table 35                       |
| NC       | B1   | –                 | Table 35                       |
| NC       | B2   | –                 | Table 35                       |
| NC       | B4   | –                 | Table 35                       |
| NC       | B8   | –                 | Table 35                       |
| NC       | B9   | –                 | Table 35                       |
| NC       | B11  | –                 | Table 35                       |
| NC       | B12  | –                 | Table 35                       |
| NC       | B15  | –                 | Table 35                       |
| NC       | B16  | –                 | Table 35                       |
| NC       | B17  | –                 | Table 35                       |
| NC       | C4   | –                 | Table 35                       |
| NC       | C6   | –                 | Table 35                       |
| NC       | C7   | –                 | Table 35                       |

| Signal          | Ball | Type <sup>1</sup> | Reference for Full Description |
|-----------------|------|-------------------|--------------------------------|
| NC              | C8   | –                 | Table 35                       |
| NC              | C10  | –                 | Table 35                       |
| NC              | C12  | –                 | Table 35                       |
| NC              | C14  | –                 | Table 35                       |
| NC              | D4   | –                 | Table 35                       |
| NC              | D11  | –                 | Table 35                       |
| NC              | D12  | –                 | Table 35                       |
| NC              | D16  | –                 | Table 35                       |
| NC              | D17  | –                 | Table 35                       |
| NC              | E3   | –                 | Table 35                       |
| NC              | E4   | –                 | Table 35                       |
| NC              | E15  | –                 | Table 35                       |
| NC              | F4   | –                 | Table 35                       |
| NC              | F14  | –                 | Table 35                       |
| NC              | F15  | –                 | Table 35                       |
| NC              | G2   | –                 | Table 35                       |
| NC              | G5   | –                 | Table 35                       |
| NC              | G14  | –                 | Table 35                       |
| NC              | G16  | –                 | Table 35                       |
| NC              | H4   | –                 | Table 35                       |
| NC              | H14  | –                 | Table 35                       |
| NC              | J2   | –                 | Table 35                       |
| NC              | J13  | –                 | Table 35                       |
| NC              | K4   | –                 | Table 35                       |
| NC              | K15  | –                 | Table 35                       |
| NC/<br>LINKHOLD | A17  | I, ID, ST         | Table 35<br>Table 32           |
| No ball         | F6   | –                 | –                              |
| No ball         | F7   | –                 | –                              |
| No ball         | F8   | –                 | –                              |
| No Ball         | E8   | –                 | –                              |
| No Ball         | E10  | –                 | –                              |
| No Ball         | F9   | –                 | –                              |
| No Ball         | F10  | –                 | –                              |
| No Ball         | F11  | –                 | –                              |
| No Ball         | F12  | –                 | –                              |
| No Ball         | G6   | –                 | –                              |
| No Ball         | G7   | –                 | –                              |

| Signal  | Ball | Type <sup>1</sup> | Reference for Full Description |
|---------|------|-------------------|--------------------------------|
| No Ball | G8   | –                 | –                              |
| No Ball | G9   | –                 | –                              |
| No Ball | G10  | –                 | –                              |
| No Ball | G11  | –                 | –                              |
| No Ball | G12  | –                 | –                              |
| No Ball | H5   | –                 | –                              |
| No Ball | H6   | –                 | –                              |
| No Ball | H7   | –                 | –                              |
| No Ball | H11  | –                 | –                              |
| No Ball | H12  | –                 | –                              |
| No Ball | H13  | –                 | –                              |
| No Ball | J6   | –                 | –                              |
| No Ball | J7   | –                 | –                              |
| No Ball | J11  | –                 | –                              |
| No Ball | J12  | –                 | –                              |
| No Ball | K5   | –                 | –                              |
| No Ball | K6   | –                 | –                              |
| No Ball | K7   | –                 | –                              |
| No Ball | K11  | –                 | –                              |
| No Ball | K12  | –                 | –                              |
| No Ball | K13  | –                 | –                              |
| No Ball | L6   | –                 | –                              |
| No Ball | L7   | –                 | –                              |
| No Ball | L8   | –                 | –                              |
| No Ball | L9   | –                 | –                              |
| No Ball | L10  | –                 | –                              |
| No Ball | L11  | –                 | –                              |
| No Ball | L11  | –                 | –                              |
| No Ball | M6   | –                 | –                              |
| No Ball | M7   | –                 | –                              |
| No Ball | M8   | –                 | –                              |
| No Ball | M9   | –                 | –                              |
| No Ball | M10  | –                 | –                              |
| No Ball | M11  | –                 | –                              |
| No Ball | M12  | –                 | –                              |
| No Ball | N8   | –                 | –                              |

| Signal  | Ball | Type <sup>1</sup>    | Reference for Full Description |
|---------|------|----------------------|--------------------------------|
| No Ball | N10  | –                    | –                              |
| PAUSE   | D5   | O, TS, SL, ID, I, ST | Table 32                       |
| PREASEL | D7   | I, ID, ST            | Table 32                       |
| PWRDWN  | L14  | I, ID, ST            | Table 32                       |
| REFCLK0 | E6   | I                    | Table 25                       |
| REFCLK1 | E12  | I                    | Table 25                       |
| RESET_L | M15  | I, ST, IP            | Table 32                       |
| RxData0 | C2   | O, TS, ID            | Table 26                       |
| RxData1 | A3   | O, TS, ID            | Table 26                       |
| RxData2 | B6   | O, TS, ID            | Table 26                       |
| RxData3 | D9   | O, TS, ID            | Table 26                       |
| RxData4 | A13  | O, TS, ID            | Table 26                       |
| RxData5 | B14  | O, TS, ID            | Table 26                       |
| RxData6 | C15  | O, TS, ID            | Table 26                       |
| RxData7 | E16  | O, TS, ID            | Table 26                       |
| SD_2P5V | P1   | I, ST, ID            | Table 29                       |
| SD0     | P2   | I                    | Table 29                       |
| SD1     | N4   | I                    | Table 29                       |
| SD2     | P3   | I                    | Table 29                       |
| SD3     | N5   | I                    | Table 29                       |
| SD4     | P15  | I                    | Table 29                       |
| SD5     | P16  | I                    | Table 29                       |
| SD6     | P17  | I                    | Table 29                       |
| SD7     | N17  | I                    | Table 29                       |
| SECTION | L15  | I, ST, ID            | Table 32                       |
| SGND    | K14  | –                    | Table 34                       |
| SYNC0   | A6   | I, ID                | Table 26                       |
| SYNC1   | C16  | I, ID                | Table 26                       |
| TCK     | M16  | I, ST, ID            | Table 31                       |
| TDI     | N14  | I, ST, IP            | Table 31                       |
| TDO     | N15  | O, TS                | Table 31                       |
| TMS     | N16  | I, ST, IP            | Table 31                       |
| TPFIN0  | T1   | AO/AI                | Table 30                       |
| TPFIN1  | T4   | AO/AI                | Table 30                       |
| TPFIN2  | T5   | AO/AI                | Table 30                       |
| TPFIN3  | R8   | AO/AI                | Table 30                       |



| Signal | Ball    | Type <sup>1</sup> | Reference for Full Description |
|--------|---------|-------------------|--------------------------------|
| TPFIN4 | U9      | AO/AI             | Table 30                       |
| TPFIN5 | T12     | AO/AI             | Table 30                       |
| TPFIN6 | T13     | AO/AI             | Table 30                       |
| TPFIN7 | T16     | AO/AI             | Table 30                       |
| TPFIP0 | R2      | AO/AI             | Table 30                       |
| TPFIP1 | U3      | AO/AI             | Table 30                       |
| TPFIP2 | R6      | AO/AI             | Table 30                       |
| TPFIP3 | T8      | AO/AI             | Table 30                       |
| TPFIP4 | T9      | AO/AI             | Table 30                       |
| TPFIP5 | U13     | AO/AI             | Table 30                       |
| TPFIP6 | R12     | AO/AI             | Table 30                       |
| TPFIP7 | R16     | AO/AI             | Table 30                       |
| TPFON0 | U1      | AO/AI             | Table 30                       |
| TPFON1 | R4      | AO/AI             | Table 30                       |
| TPFON2 | U5      | AO/AI             | Table 30                       |
| TPFON3 | T7      | AO/AI             | Table 30                       |
| TPFON4 | R10     | AO/AI             | Table 30                       |
| TPFON5 | U11     | AO/AI             | Table 30                       |
| TPFON6 | U15     | AO/AI             | Table 30                       |
| TPFON7 | T15     | AO/AI             | Table 30                       |
| TPFOP0 | T2      | AO/AI             | Table 30                       |
| TPFOP1 | T3      | AO/AI             | Table 30                       |
| TPFOP2 | T6      | AO/AI             | Table 30                       |
| TPFOP3 | U7      | AO/AI             | Table 30                       |
| TPFOP4 | T10     | AO/AI             | Table 30                       |
| TPFOP5 | T11     | AO/AI             | Table 30                       |
| TPFOP6 | T14     | AO/AI             | Table 30                       |
| TPFOP7 | R14     | AO/AI             | Table 30                       |
| TRST_L | M1<br>7 | I, ST, IP         | Table 31                       |
| TxDat0 | E2      | I, ID             | Table 25                       |
| TxDat1 | C3      | I, ID             | Table 25                       |
| TxDat2 | B5      | I, ID             | Table 25                       |
| TxDat3 | D8      | I, ID             | Table 25                       |
| TxDat4 | A11     | I, ID             | Table 25                       |
| TxDat5 | B13     | I, ID             | Table 25                       |
| TxDat6 | D13     | I, ID             | Table 25                       |
| TxDat7 | E14     | I, ID             | Table 25                       |

| Signal   | Ball | Type <sup>1</sup> | Reference for Full Description |
|----------|------|-------------------|--------------------------------|
| TxSLEW_0 | N3   | I, ST, ID         | Table 32                       |
| TxSLEW_1 | M4   | I, ST, ID         | Table 32                       |
| VCCD     | F5   | –                 | Table 34                       |
| VCCD     | G13  | –                 | Table 34                       |
| VCCD     | J5   | –                 | Table 34                       |
| VCCD     | J14  | –                 | Table 34                       |
| VCCIO    | A2   | –                 | Table 34                       |
| VCCIO    | A8   | –                 | Table 34                       |
| VCCIO    | C1   | –                 | Table 34                       |
| VCCIO    | C11  | –                 | Table 34                       |
| VCCIO    | D14  | –                 | Table 34                       |
| VCCPECL  | L5   | –                 | Table 34                       |
| VCCPECL  | L13  | –                 | Table 34                       |
| VCCR     | N13  | –                 | Table 34                       |
| VCCR     | P4   | –                 | Table 34                       |
| VCCR     | P7   | –                 | Table 34                       |
| VCCR     | P8   | –                 | Table 34                       |
| VCCR     | P9   | –                 | Table 34                       |
| VCCR     | P10  | –                 | Table 34                       |
| VCCR     | P11  | –                 | Table 34                       |
| VCCR     | P12  | –                 | Table 34                       |
| VCCT     | N6   | –                 | Table 34                       |
| VCCT     | N7   | –                 | Table 34                       |
| VCCT     | N9   | –                 | Table 34                       |
| VCCT     | N11  | –                 | Table 34                       |
| VCCT     | N12  | –                 | Table 34                       |

**Table 21 SMII BGA23 Ball List in Alphanumeric Order by Ball Location**

| Ball | Signal          | Type <sup>1</sup>    | Reference for Full Description | Ball | Signal   | Type <sup>1</sup>    | Reference for Full Description |
|------|-----------------|----------------------|--------------------------------|------|----------|----------------------|--------------------------------|
| A1   | GNDD            | –                    | Table 34                       | C1   | VCCIO    | –                    | Table 34                       |
| A2   | VCCIO           | –                    | Table 34                       | C2   | RxData0  | O, TS, ID            | Table 26                       |
| A3   | RxData1         | O, TS, ID            | Table 26                       | C3   | TxData1  | I, ID                | Table 25                       |
| A4   | NC              | –                    | Table 35                       | C4   | NC       | –                    | Table 35                       |
| A5   | NC              | –                    | Table 35                       | C5   | GNDD     | –                    | Table 34                       |
| A6   | SYNC0           | I, ID                | Table 26                       | C6   | NC       | –                    | Table 35                       |
| A7   | NC              | –                    | Table 35                       | C7   | NC       | –                    | Table 35                       |
| A8   | VCCIO           | –                    | Table 34                       | C8   | NC       | –                    | Table 35                       |
| A9   | GNDD            | –                    | Table 34                       | C9   | MDINT1_L | OD, TS, SL, IP       | Table 28                       |
| A10  | MDIO1           | I/O, TS, SL, IP      | Table 28                       | C10  | NC       | –                    | Table 35                       |
| A11  | TxData4         | I, ID                | Table 25                       | C11  | VCCIO    | –                    | Table 34                       |
| A12  | FIFOSEL0        | O, TS, SL, ID, I, ST | Table 32                       | C12  | NC       | –                    | Table 35                       |
| A13  | RxData4         | O, TS, ID            | Table 26                       | C13  | GNDD     | –                    | Table 34                       |
| A14  | NC              | –                    | Table 35                       | C14  | NC       | –                    | Table 35                       |
| A15  | FIFOSEL1        | O, TS, SL, ID, I, ST | Table 32                       | C15  | RxData6  | O, TS, ID            | Table 26                       |
| A16  | NC              | –                    | Table 35                       | C16  | SYNC1    | I, ID                | Table 26                       |
| A17  | NC/<br>LINKHOLD | I, ID, ST            | Table 35<br>Table 32           | C17  | GNDD     | –                    | Table 34                       |
| B1   | NC              | –                    | Table 35                       | D1   | GNDD     | –                    | Table 34                       |
| B2   | NC              | –                    | Table 35                       | D2   | MDIX     | I, ID, ST            | Table 32                       |
| B3   | GNDD            | –                    | Table 34                       | D3   | GNDD     | –                    | Table 34                       |
| B4   | NC              | –                    | Table 35                       | D4   | NC       | –                    | Table 35                       |
| B5   | TxData2         | I, ID                | Table 25                       | D5   | PAUSE    | O, TS, SL, ID, I, ST | Table 32                       |
| B6   | RxData2         | O, TS, ID            | Table 26                       | D6   | GNDD     | –                    | Table 34                       |
| B7   | GNDD            | –                    | Table 34                       | D7   | PREASEL  | I, ID, ST            | Table 32                       |
| B8   | NC              | –                    | Table 35                       | D8   | TxData3  | I, ID                | Table 25                       |
| B9   | NC              | –                    | Table 35                       | D9   | RxData3  | O, TS, ID            | Table 26                       |
| B10  | MDC1            | I, ST, ID            | Table 28                       | D10  | GNDD     | –                    | Table 34                       |
| B11  | NC              | –                    | Table 35                       | D11  | NC       | –                    | Table 35                       |
| B12  | NC              | –                    | Table 35                       | D12  | NC       | –                    | Table 35                       |
| B13  | TxData5         | I, ID                | Table 25                       | D13  | TxData6  | I, ID                | Table 25                       |
| B14  | RxData5         | O, TS, ID            | Table 26                       | D14  | VCCIO    | –                    | Table 34                       |
| B15  | NC              | –                    | Table 35                       | D15  | GNDD     | –                    | Table 34                       |
| B16  | NC              | –                    | Table 35                       | D16  | NC       | –                    | Table 35                       |
| B17  | NC              | –                    | Table 35                       | D17  | NC       | –                    | Table 35                       |
|      |                 |                      |                                | E1   | MDC0     | I, ST, ID            | Table 28                       |
|      |                 |                      |                                | E2   | TxData0  | I, ID                | Table 25                       |

| Ball | Signal   | Type <sup>1</sup> | Reference for Full Description |
|------|----------|-------------------|--------------------------------|
| E3   | NC       | –                 | Table 35                       |
| E4   | NC       | –                 | Table 35                       |
| E5   | GNDD     | –                 | Table 34                       |
| E6   | REFCLK0  | I                 | Table 25                       |
| E7   | GNDD     | –                 | Table 34                       |
| E8   | No Ball  | –                 | –                              |
| E9   | GNDD     | –                 | Table 34                       |
| E10  | No Ball  | –                 | –                              |
| E11  | GNDD     | –                 | Table 34                       |
| E12  | REFCLK1  | I                 | Table 25                       |
| E13  | GNDD     | –                 | Table 34                       |
| E14  | TxDat7   | I, ID             | Table 25                       |
| E15  | NC       | –                 | Table 35                       |
| E16  | RxDat7   | O, TS, ID         | Table 26                       |
| E17  | GNDD     | –                 | Table 34                       |
| F1   | MDINT0_L | OD, TS, SL, IP    | Table 28                       |
| F2   | LED3_1_L | OD, TS, SL, IP    | Table 33                       |
| F3   | MDIO0    | I/O, TS, SL, IP   | Table 28                       |
| F4   | NC       | –                 | Table 35                       |
| F5   | VCCD     | –                 | Table 34                       |
| F6   | No ball  | –                 | –                              |
| F7   | No ball  | –                 | –                              |
| F8   | No ball  | –                 | –                              |
| F9   | No Ball  | –                 | –                              |
| F10  | No Ball  | –                 | –                              |
| F11  | No Ball  | –                 | –                              |
| F12  | No Ball  | –                 | –                              |
| F13  | GNDD     | –                 | Table 34                       |
| F14  | NC       | –                 | Table 35                       |
| F15  | NC       | –                 | Table 35                       |
| F16  | LED7_3_L | OD, TS, SL, IP    | Table 33                       |
| F17  | LED7_2_L | OD, TS, SL, IP    | Table 33                       |
| G1   | LED2_3_L | OD, TS, SL, IP    | Table 33                       |
| G2   | NC       | –                 | Table 35                       |

| Ball | Signal   | Type <sup>1</sup> | Reference for Full Description |
|------|----------|-------------------|--------------------------------|
| G3   | LED3_2_L | OD, TS, SL, IP    | Table 33                       |
| G4   | LED3_3_L | OD, TS, SO, IP    | Table 33                       |
| G5   | NC       | –                 | Table 35                       |
| G6   | No Ball  | –                 | –                              |
| G7   | No Ball  | –                 | –                              |
| G8   | No Ball  | –                 | –                              |
| G9   | No Ball  | –                 | –                              |
| G10  | No Ball  | –                 | –                              |
| G11  | No Ball  | –                 | –                              |
| G12  | No Ball  | –                 | –                              |
| G13  | VCCD     | –                 | Table 34                       |
| G14  | NC       | –                 | Table 35                       |
| G15  | LED7_1_L | OD, TS, SL, IP    | Table 33                       |
| G16  | NC       | –                 | Table 35                       |
| G17  | LED6_3_L | OD, TS, SL, IP    | Table 33                       |
| H1   | LED1_3_L | OD, TS, SL, IP    | Table 33                       |
| H2   | LED2_1_L | OD, TS, SL, IP    | Table 33                       |
| H3   | LED2_2_L | OD, TS, SL, IP    | Table 33                       |
| H4   | NC       | –                 | Table 35                       |
| H5   | No Ball  | –                 | –                              |
| H6   | No Ball  | –                 | –                              |
| H7   | No Ball  | –                 | –                              |
| H8   | GNDD     | –                 | Table 34                       |
| H9   | GNDD     | –                 | Table 34                       |
| H10  | GNDD     | –                 | Table 34                       |
| H11  | No Ball  | –                 | –                              |
| H12  | No Ball  | –                 | –                              |
| H13  | No Ball  | –                 | –                              |
| H14  | NC       | –                 | Table 35                       |
| H15  | LED6_1_L | OD, TS, SL, IP    | Table 33                       |
| H16  | LED6_2_L | OD, TS, SL, IP    | Table 33                       |
| H17  | LED5_3_L | OD, TS, SL, IP    | Table 33                       |

| Ball | Signal   | Type <sup>1</sup> | Reference for Full Description |
|------|----------|-------------------|--------------------------------|
| J1   | LED0_3_L | OD, TS, SL, IP    | Table 33                       |
| J2   | NC       | –                 | Table 35                       |
| J3   | LED1_2_L | OD, TS, SL, IP    | Table 33                       |
| J4   | LED1_1_L | OD, TS, SL, IP    | Table 33                       |
| J5   | VCCD     | –                 | Table 34                       |
| J6   | No Ball  | –                 | –                              |
| J7   | No Ball  | –                 | –                              |
| J8   | GNDD     | –                 | Table 34                       |
| J9   | GNDD     | –                 | Table 34                       |
| J10  | GNDD     | –                 | Table 34                       |
| J11  | No Ball  | –                 | –                              |
| J12  | No Ball  | –                 | –                              |
| J13  | NC       | –                 | Table 35                       |
| J14  | VCCD     | –                 | Table 34                       |
| J15  | LED5_1_L | OD, TS, SL, IP    | Table 33                       |
| J16  | LED5_2_L | OD, TS, SL, IP    | Table 33                       |
| J17  | LED4_3_L | OD, TS, SL, IP    | Table 33                       |
| K1   | AMDIX_EN | I, ST, IP         | Table 32                       |
| K2   | LED0_2_L | OD, TS, SL, IP    | Table 33                       |
| K3   | LED0_1_L | OD, TS, SL, IP    | Table 33                       |
| K4   | NC       | –                 | Table 35                       |
| K5   | No Ball  | –                 | –                              |
| K6   | No Ball  | –                 | –                              |
| K7   | No Ball  | –                 | –                              |
| K8   | GNDD     | –                 | Table 34                       |
| K9   | GNDD     | –                 | Table 34                       |
| K10  | GNDD     | –                 | Table 34                       |
| K11  | No Ball  | –                 | –                              |
| K12  | No Ball  | –                 | –                              |
| K13  | No Ball  | –                 | –                              |
| K14  | SGND     | –                 | Table 34                       |
| K15  | NC       | –                 | Table 35                       |
| K16  | LED4_1_L | OD, TS, SL, IP    | Table 33                       |

| Ball | Signal    | Type <sup>1</sup> | Reference for Full Description |
|------|-----------|-------------------|--------------------------------|
| K17  | LED4_2_L  | OD, TS, SL, IP    | Table 33                       |
| L1   | MDDIS     | I, ST, ID         | Table 28                       |
| L2   | CFG_3     | I, ST, ID         | Table 32                       |
| L3   | CFG_2     | I, ST, ID         | Table 32                       |
| L4   | ADD_4     | I, ST, ID         | Table 32                       |
| L5   | VCCPECL   | –                 | Table 34                       |
| L6   | No Ball   | –                 | –                              |
| L7   | No Ball   | –                 | –                              |
| L8   | No Ball   | –                 | –                              |
| L9   | No Ball   | –                 | –                              |
| L10  | No Ball   | –                 | –                              |
| L11  | No Ball   | –                 | –                              |
| L11  | No Ball   | –                 | –                              |
| L13  | VCCPECL   | –                 | Table 34                       |
| L14  | PWRDWN    | I, ID, ST         | Table 32                       |
| L15  | SECTION   | I, ST, ID         | Table 32                       |
| L16  | ModeSel0  | I, ST, ID         | Table 32                       |
| L17  | ModeSel1  | I, ST, ID         | Table 32                       |
| M1   | CFG_1     | I, ST, ID         | Table 32                       |
| M2   | ADD_3     | I, ST, ID         | Table 32                       |
| M3   | ADD_2     | I, ST, ID         | Table 32                       |
| M4   | TxSLEW_1  | I, ST, ID         | Table 32                       |
| M5   | GNDPECL   | –                 | Table 34                       |
| M6   | No Ball   | –                 | –                              |
| M7   | No Ball   | –                 | –                              |
| M8   | No Ball   | –                 | –                              |
| M9   | No Ball   | –                 | –                              |
| M10  | No Ball   | –                 | –                              |
| M11  | No Ball   | –                 | –                              |
| M12  | No Ball   | –                 | –                              |
| M13  | GNDPECL   | –                 | Table 34                       |
| M14  | G_FX/TP_L | I, ST, ID         | Table 32                       |
| M15  | RESET_L   | I, ST, IP         | Table 32                       |
| M16  | TCK       | I, ST, ID         | Table 31                       |
| M17  | TRST_L    | I, ST, IP         | Table 31                       |
| N1   | ADD_1     | I, ST, ID         | Table 32                       |
| N2   | ADD_0     | I, ST, ID         | Table 32                       |

| Ball | Signal   | Type <sup>1</sup> | Reference for Full Description |
|------|----------|-------------------|--------------------------------|
| N3   | TxSLEW_0 | I, ST, ID         | Table 32                       |
| N4   | SD1      | I                 | Table 29                       |
| N5   | SD3      | I                 | Table 29                       |
| N6   | VCCT     | –                 | Table 34                       |
| N7   | VCCT     | –                 | Table 34                       |
| N8   | No Ball  | –                 | –                              |
| N9   | VCCT     | –                 | Table 34                       |
| N10  | No Ball  | –                 | –                              |
| N11  | VCCT     | –                 | Table 34                       |
| N12  | VCCT     | –                 | Table 34                       |
| N13  | VCCR     | –                 | Table 34                       |
| N14  | TDI      | I, ST, IP         | Table 31                       |
| N15  | TDO      | O, TS             | Table 31                       |
| N16  | TMS      | I, ST, IP         | Table 31                       |
| N17  | SD7      | I                 | Table 29                       |
| P1   | SD_2P5V  | I, ST, ID         | Table 29                       |
| P2   | SD0      | I                 | Table 29                       |
| P3   | SD2      | I                 | Table 29                       |
| P4   | VCCR     | –                 | Table 34                       |
| P5   | GNDR     | –                 | Table 34                       |
| P6   | GNDR     | –                 | Table 34                       |
| P7   | VCCR     | –                 | Table 34                       |
| P8   | VCCR     | –                 | Table 34                       |
| P9   | VCCR     | –                 | Table 34                       |
| P10  | VCCR     | –                 | Table 34                       |
| P11  | VCCR     | –                 | Table 34                       |
| P12  | VCCR     | –                 | Table 34                       |
| P13  | GNDR     | –                 | Table 34                       |
| P14  | GNDT     | –                 | Table 34                       |
| P15  | SD4      | I                 | Table 29                       |
| P16  | SD5      | I                 | Table 29                       |
| P17  | SD6      | I                 | Table 29                       |
| R1   | GNDT     | –                 | Table 34                       |
| R2   | TPFIP0   | AO/AI             | Table 30                       |
| R3   | GNDT     | –                 | Table 34                       |
| R4   | TPFON1   | AO/AI             | Table 30                       |
| R5   | GNDT     | –                 | Table 34                       |
| R6   | TPFIP2   | AO/AI             | Table 30                       |

| Ball | Signal | Type <sup>1</sup> | Reference for Full Description |
|------|--------|-------------------|--------------------------------|
| R7   | GNDR   | –                 | Table 34                       |
| R8   | TPFIN3 | AO/AI             | Table 30                       |
| R9   | GNDR   | –                 | Table 34                       |
| R10  | TPFON4 | AO/AI             | Table 30                       |
| R11  | GNDR   | –                 | Table 34                       |
| R12  | TPFIP6 | AO/AI             | Table 30                       |
| R13  | GNDR   | –                 | Table 34                       |
| R14  | TPFOP7 | AO/AI             | Table 30                       |
| R15  | GNDT   | –                 | Table 34                       |
| R16  | TPFIP7 | AO/AI             | Table 30                       |
| R17  | GNDT   | –                 | Table 34                       |
| T1   | TPFIN0 | AO/AI             | Table 30                       |
| T2   | TPFOP0 | AO/AI             | Table 30                       |
| T3   | TPFOP1 | AO/AI             | Table 30                       |
| T4   | TPFIN1 | AO/AI             | Table 30                       |
| T5   | TPFIN2 | AO/AI             | Table 30                       |
| T6   | TPFOP2 | AO/AI             | Table 30                       |
| T7   | TPFON3 | AO/AI             | Table 30                       |
| T8   | TPFIP3 | AO/AI             | Table 30                       |
| T9   | TPFIP4 | AO/AI             | Table 30                       |
| T10  | TPFOP4 | AO/AI             | Table 30                       |
| T11  | TPFOP5 | AO/AI             | Table 30                       |
| T12  | TPFIN5 | AO/AI             | Table 30                       |
| T13  | TPFIN6 | AO/AI             | Table 30                       |
| T14  | TPFOP6 | AO/AI             | Table 30                       |
| T15  | TPFON7 | AO/AI             | Table 30                       |
| T16  | TPFIN7 | AO/AI             | Table 30                       |
| T17  | GNDT   | –                 | Table 34                       |
| U1   | TPFON0 | AO/AI             | Table 30                       |
| U2   | GNDT   | –                 | Table 34                       |
| U3   | TPFIP1 | AO/AI             | Table 30                       |
| U4   | GNDT   | –                 | Table 34                       |
| U5   | TPFON2 | AO/AI             | Table 30                       |
| U6   | GNDT   | –                 | Table 34                       |
| U7   | TPFOP3 | AO/AI             | Table 30                       |
| U8   | GNDR   | –                 | Table 34                       |
| U9   | TPFIN4 | AO/AI             | Table 30                       |
| U10  | GNDT   | –                 | Table 34                       |

| Ball | Signal | Type <sup>1</sup> | Reference for Full Description |
|------|--------|-------------------|--------------------------------|
| U11  | TPFON5 | AO/AI             | Table 30                       |
| U12  | GNDT   | –                 | Table 34                       |
| U13  | TPFIP5 | AO/AI             | Table 30                       |
| U14  | GNDT   | –                 | Table 34                       |
| U15  | TPFON6 | AO/AI             | Table 30                       |
| U16  | GNDT   | –                 | Table 34                       |
| U17  | GNDT   | –                 | Table 34                       |

### 3.3.3 SS-SMII BGA23 Ball List

The following tables provide the SS-SMII ball locations and signal names arranged in alphanumeric order as follows:

- [Table 22, SS-SMII BGA23 Ball List in Alphanumeric Order by Signal Name](#)
- [Table 23, SS-SMII BGA23 Ball List in Alphanumeric Order by Ball Location, on page 75](#)

**Table 22 SS-SMII BGA23 Ball List in Alphanumeric Order by Signal Name**

| Signal    | Ball    | Type <sup>1</sup> | Reference for Full Description |
|-----------|---------|-------------------|--------------------------------|
| ADD_0     | N2      | I, ST, ID         | Table 32                       |
| ADD_1     | N1      | I, ST, ID         | Table 32                       |
| ADD_2     | M3      | I, ST, ID         | Table 32                       |
| ADD_3     | M2      | I, ST, ID         | Table 32                       |
| ADD_4     | L4      | I, ST, ID         | Table 32                       |
| AMDIX_EN  | K1      | I, ST, IP         | Table 32                       |
| CFG_1     | M1      | I, ST, ID         | Table 32                       |
| CFG_2     | L3      | I, ST, ID         | Table 32                       |
| CFG_3     | L2      | I, ST, ID         | Table 32                       |
| FIFOSEL0  | A12     | I, ID, ST         | Table 32                       |
| FIFOSEL1  | A15     | I, ID, ST         | Table 32                       |
| G_FX/TP_L | M1<br>4 | I, ID, ST         | Table 32                       |
| GNDD      | A1      | –                 | Table 34                       |
| GNDD      | A9      | –                 | Table 34                       |
| GNDD      | B3      | –                 | Table 34                       |
| GNDD      | B7      | –                 | Table 34                       |
| GNDD      | C5      | –                 | Table 34                       |
| GNDD      | C13     | –                 | Table 34                       |
| GNDD      | C17     | –                 | Table 34                       |
| GNDD      | D1      | –                 | Table 34                       |

| Signal | Ball | Type <sup>1</sup> | Reference for Full Description |
|--------|------|-------------------|--------------------------------|
| GNDD   | D3   | –                 | Table 34                       |
| GNDD   | D6   | –                 | Table 34                       |
| GNDD   | D10  | –                 | Table 34                       |
| GNDD   | D15  | –                 | Table 34                       |
| GNDD   | E5   | –                 | Table 34                       |
| GNDD   | E7   | –                 | Table 34                       |
| GNDD   | E9   | –                 | Table 34                       |
| GNDD   | E11  | –                 | Table 34                       |
| GNDD   | E13  | –                 | Table 34                       |
| GNDD   | E17  | –                 | Table 34                       |
| GNDD   | F13  | –                 | Table 34                       |
| GNDD   | H8   | –                 | Table 34                       |
| GNDD   | H9   | –                 | Table 34                       |
| GNDD   | H10  | –                 | Table 34                       |
| GNDD   | J8   | –                 | Table 34                       |
| GNDD   | J9   | –                 | Table 34                       |
| GNDD   | J10  | –                 | Table 34                       |
| GNDD   | K8   | –                 | Table 34                       |
| GNDD   | K9   | –                 | Table 34                       |
| GNDD   | K10  | –                 | Table 34                       |

| Signal   | Ball | Type <sup>1</sup> | Reference for Full Description |
|----------|------|-------------------|--------------------------------|
| GNDPECL  | M5   | –                 | Table 34                       |
| GNDPECL  | M13  | –                 | Table 34                       |
| GNDR     | P5   | –                 | Table 34                       |
| GNDR     | P6   | –                 | Table 34                       |
| GNDR     | P13  | –                 | Table 34                       |
| GNDR     | R7   | –                 | Table 34                       |
| GNDR     | R9   | –                 | Table 34                       |
| GNDR     | R11  | –                 | Table 34                       |
| GNDR     | R13  | –                 | Table 34                       |
| GNDR     | U8   | –                 | Table 34                       |
| GNDT     | P14  | –                 | Table 34                       |
| GNDT     | R1   | –                 | Table 34                       |
| GNDT     | R3   | –                 | Table 34                       |
| GNDT     | R5   | –                 | Table 34                       |
| GNDT     | R15  | –                 | Table 34                       |
| GNDT     | R17  | –                 | Table 34                       |
| GNDT     | T17  | –                 | Table 34                       |
| GNDT     | U2   | –                 | Table 34                       |
| GNDT     | U4   | –                 | Table 34                       |
| GNDT     | U6   | –                 | Table 34                       |
| GNDT     | U10  | –                 | Table 34                       |
| GNDT     | U12  | –                 | Table 34                       |
| GNDT     | U14  | –                 | Table 34                       |
| GNDT     | U16  | –                 | Table 34                       |
| GNDT     | U17  | –                 | Table 34                       |
| LED0_1_L | K3   | OD, TS, SL, IP    | Table 33                       |
| LED0_2_L | K2   | OD, TS, SL, IP    | Table 33                       |
| LED0_3_L | J1   | OD, TS, SL, IP    | Table 33                       |
| LED1_1_L | J4   | OD, TS, SL, IP    | Table 33                       |
| LED1_2_L | J3   | OD, TS, SL, IP    | Table 33                       |
| LED1_3_L | H1   | OD, TS, SL, IP    | Table 33                       |
| LED2_1_L | H2   | OD, TS, SL, IP    | Table 33                       |
| LED2_2_L | H3   | OD, TS, SL, IP    | Table 33                       |

| Signal   | Ball | Type <sup>1</sup> | Reference for Full Description |
|----------|------|-------------------|--------------------------------|
| LED2_3_L | G1   | OD, TS, SL, IP    | Table 33                       |
| LED3_1_L | F2   | OD, TS, SL, IP    | Table 33                       |
| LED3_2_L | G3   | OD, TS, SL, IP    | Table 33                       |
| LED3_3_L | G4   | OD, TS, SL, IP    | Table 33                       |
| LED4_1_L | K16  | OD, TS, SL, IP    | Table 33                       |
| LED4_2_L | K17  | OD, TS, SL, IP    | Table 33                       |
| LED4_3_L | J17  | OD, TS, SL, IP    | Table 33                       |
| LED5_1_L | J15  | OD, TS, SL, IP    | Table 33                       |
| LED5_2_L | J16  | OD, TS, SL, IP    | Table 33                       |
| LED5_3_L | H17  | OD, TS, SL, IP    | Table 33                       |
| LED6_1_L | H15  | OD, TS, SL, IP    | Table 33                       |
| LED6_2_L | H16  | OD, TS, SL, IP    | Table 33                       |
| LED6_3_L | G17  | OD, TS, SL, IP    | Table 33                       |
| LED7_1_L | G15  | OD, TS, SL, IP    | Table 33                       |
| LED7_2_L | F17  | OD, TS, SL, IP    | Table 33                       |
| LED7_3_L | F16  | OD, TS, SL, IP    | Table 33                       |
| MDC0     | E1   | I, ST, ID         | Table 28                       |
| MDC1     | B10  | I, ST, ID         | Table 28                       |
| MDDIS    | L1   | I, ST, ID         | Table 28                       |
| MDINT0_L | F1   | OD, TS, SL, IP    | Table 28                       |
| MDINT1_L | C9   | OD, TS, SL, IP    | Table 28                       |
| MDIO0    | F3   | I/O, TS, SL, IP   | Table 28                       |
| MDIO1    | A10  | I/O, TS, SL, IP   | Table 28                       |
| MDIX     | D2   | I, ID, ST         | Table 32                       |
| ModeSel0 | L16  | I, ST, ID         | Table 32                       |
| ModeSel1 | L17  | I, ST, ID         | Table 32                       |

| Signal | Ball | Type <sup>1</sup> | Reference for Full Description |
|--------|------|-------------------|--------------------------------|
| NC     | A3   | –                 | Table 35                       |
| NC     | A4   | –                 | Table 35                       |
| NC     | A5   | –                 | Table 35                       |
| NC     | A7   | –                 | Table 35                       |
| NC     | A13  | –                 | Table 35                       |
| NC     | A14  | –                 | Table 35                       |
| NC     | A16  | –                 | Table 35                       |
| NC     | B2   | –                 | Table 35                       |
| NC     | B6   | –                 | Table 35                       |
| NC     | B8   | –                 | Table 35                       |
| NC     | B14  | –                 | Table 35                       |
| NC     | B16  | –                 | Table 35                       |
| NC     | C2   | –                 | Table 35                       |
| NC     | C4   | –                 | Table 35                       |
| NC     | C6   | –                 | Table 35                       |
| NC     | C10  | –                 | Table 35                       |
| NC     | C14  | –                 | Table 35                       |
| NC     | C15  | –                 | Table 35                       |
| NC     | D4   | –                 | Table 35                       |
| NC     | D9   | –                 | Table 35                       |
| NC     | D11  | –                 | Table 35                       |
| NC     | D12  | –                 | Table 35                       |
| NC     | D16  | –                 | Table 35                       |
| NC     | E15  | –                 | Table 35                       |
| NC     | E16  | –                 | Table 35                       |
| NC     | F4   | –                 | Table 35                       |
| NC     | F15  | –                 | Table 35                       |
| NC     | G2   | –                 | Table 35                       |
| NC     | G5   | –                 | Table 35                       |
| NC     | G14  | –                 | Table 35                       |
| NC     | G16  | –                 | Table 35                       |
| NC     | H4   | –                 | Table 35                       |
| NC     | H14  | –                 | Table 35                       |
| NC     | J2   | –                 | Table 35                       |
| NC     | J13  | –                 | Table 35                       |
| NC     | K4   | –                 | Table 35                       |
| NC     | K15  | –                 | Table 35                       |

| Signal          | Ball | Type <sup>1</sup> | Reference for Full Description |
|-----------------|------|-------------------|--------------------------------|
| NC/<br>LINKHOLD | A17  | I, ID, ST         | Table 35<br>Table 32           |
| No ball         | F6   | –                 | –                              |
| No ball         | F7   | –                 | –                              |
| No ball         | F8   | –                 | –                              |
| No Ball         | E8   | –                 | –                              |
| No Ball         | E10  | –                 | –                              |
| No Ball         | F9   | –                 | –                              |
| No Ball         | F10  | –                 | –                              |
| No Ball         | F11  | –                 | –                              |
| No Ball         | F12  | –                 | –                              |
| No Ball         | G6   | –                 | –                              |
| No Ball         | G7   | –                 | –                              |
| No Ball         | G8   | –                 | –                              |
| No Ball         | G9   | –                 | –                              |
| No Ball         | G10  | –                 | –                              |
| No Ball         | G11  | –                 | –                              |
| No Ball         | G12  | –                 | –                              |
| No Ball         | H5   | –                 | –                              |
| No Ball         | H6   | –                 | –                              |
| No Ball         | H7   | –                 | –                              |
| No Ball         | H11  | –                 | –                              |
| No Ball         | H12  | –                 | –                              |
| No Ball         | H13  | –                 | –                              |
| No Ball         | J6   | –                 | –                              |
| No Ball         | J7   | –                 | –                              |
| No Ball         | J11  | –                 | –                              |
| No Ball         | J12  | –                 | –                              |
| No Ball         | K5   | –                 | –                              |
| No Ball         | K6   | –                 | –                              |
| No Ball         | K7   | –                 | –                              |
| No Ball         | K11  | –                 | –                              |
| No Ball         | K12  | –                 | –                              |
| No Ball         | K13  | –                 | –                              |
| No Ball         | L6   | –                 | –                              |
| No Ball         | L7   | –                 | –                              |
| No Ball         | L8   | –                 | –                              |
| No Ball         | L9   | –                 | –                              |



| Signal  | Ball | Type <sup>1</sup> | Reference for Full Description |
|---------|------|-------------------|--------------------------------|
| No Ball | L10  | –                 | –                              |
| No Ball | L11  | –                 | –                              |
| No Ball | L11  | –                 | –                              |
| No Ball | M6   | –                 | –                              |
| No Ball | M7   | –                 | –                              |
| No Ball | M8   | –                 | –                              |
| No Ball | M9   | –                 | –                              |
| No Ball | M10  | –                 | –                              |
| No Ball | M11  | –                 | –                              |
| No Ball | M12  | –                 | –                              |
| No Ball | N8   | –                 | –                              |
| No Ball | N10  | –                 | –                              |
| PAUSE   | D5   | ID, I, ST         | Table 32                       |
| PREASEL | D7   | I, ID, ST         | Table 32                       |
| PWRDWN  | L14  | I, ST, ID         | Table 32                       |
| REFCLK0 | E6   | I                 | Table 25                       |
| REFCLK1 | E12  | I                 | Table 25                       |
| RESET_L | M15  | I, ST, IP         | Table 32                       |
| RxCLK0  | E3   | O, TS, ID         | Table 27                       |
| RxCLK1  | B11  | O, TS, ID         | Table 27                       |
| RxData0 | B1   | O, TS, ID         | Table 27                       |
| RxData1 | B4   | O, TS, ID         | Table 27                       |
| RxData2 | C7   | O, TS, ID         | Table 27                       |
| RxData3 | B9   | O, TS, ID         | Table 27                       |
| RxData4 | C12  | O, TS, ID         | Table 27                       |
| RxData5 | B15  | O, TS, ID         | Table 27                       |
| RxData6 | B17  | O, TS, ID         | Table 27                       |
| RxData7 | F14  | O, TS, ID         | Table 27                       |
| RxSYNC0 | E4   | O, TS, ID         | Table 27                       |
| RxSYNC1 | B12  | O, TS, ID         | Table 27                       |
| SD_2P5V | P1   | I, ST, ID         | Table 29                       |
| SD0     | P2   | I                 | Table 29                       |
| SD1     | N4   | I                 | Table 29                       |
| SD2     | P3   | I                 | Table 29                       |
| SD3     | N5   | I                 | Table 29                       |
| SD4     | P15  | I                 | Table 29                       |

| Signal  | Ball | Type <sup>1</sup> | Reference for Full Description |
|---------|------|-------------------|--------------------------------|
| SD5     | P16  | I                 | Table 29                       |
| SD6     | P17  | I                 | Table 29                       |
| SD7     | N17  | I                 | Table 29                       |
| SECTION | L15  | I, ID, ST         | Table 32                       |
| SGND    | K14  | –                 | Table 34                       |
| TCK     | M16  | I, ST, ID         | Table 31                       |
| TDI     | N14  | I, ST, IP         | Table 31                       |
| TDO     | N15  | O, TS             | Table 31                       |
| TMS     | N16  | I, ST, IP         | Table 31                       |
| TPFIN0  | T1   | AO/AI             | Table 30                       |
| TPFIN1  | T4   | AO/AI             | Table 30                       |
| TPFIN2  | T5   | AO/AI             | Table 30                       |
| TPFIN3  | R8   | AO/AI             | Table 30                       |
| TPFIN4  | U9   | AO/AI             | Table 30                       |
| TPFIN5  | T12  | AO/AI             | Table 30                       |
| TPFIN6  | T13  | AO/AI             | Table 30                       |
| TPFIN7  | T16  | AO/AI             | Table 30                       |
| TPFIP0  | R2   | AO/AI             | Table 30                       |
| TPFIP1  | U3   | AO/AI             | Table 30                       |
| TPFIP2  | R6   | AO/AI             | Table 30                       |
| TPFIP3  | T8   | AO/AI             | Table 30                       |
| TPFIP4  | T9   | AO/AI             | Table 30                       |
| TPFIP5  | U13  | AO/AI             | Table 30                       |
| TPFIP6  | R12  | AO/AI             | Table 30                       |
| TPFIP7  | R16  | AO/AI             | Table 30                       |
| TPFON0  | U1   | AO/AI             | Table 30                       |
| TPFON1  | R4   | AO/AI             | Table 30                       |
| TPFON2  | U5   | AO/AI             | Table 30                       |
| TPFON3  | T7   | AO/AI             | Table 30                       |
| TPFON4  | R10  | AO/AI             | Table 30                       |
| TPFON5  | U11  | AO/AI             | Table 30                       |
| TPFON6  | U15  | AO/AI             | Table 30                       |
| TPFON7  | T15  | AO/AI             | Table 30                       |
| TPFOP0  | T2   | AO/AI             | Table 30                       |
| TPFOP1  | T3   | AO/AI             | Table 30                       |
| TPFOP2  | T6   | AO/AI             | Table 30                       |
| TPFOP3  | U7   | AO/AI             | Table 30                       |

| Signal   | Ball | Type <sup>1</sup> | Reference for Full Description |
|----------|------|-------------------|--------------------------------|
| TPFOP4   | T10  | AO/AI             | Table 30                       |
| TPFOP5   | T11  | AO/AI             | Table 30                       |
| TPFOP6   | T14  | AO/AI             | Table 30                       |
| TPFOP7   | R14  | AO/AI             | Table 30                       |
| TRST_L   | M17  | I, IP, ST         | Table 31                       |
| TxCLK0   | C8   | I, ID             | Table 27                       |
| TxCLK1   | D17  | I, ID             | Table 27                       |
| TxData0  | E2   | I, ID             | Table 25                       |
| TxData1  | C3   | I, ID             | Table 25                       |
| TxData2  | B5   | I, ID             | Table 25                       |
| TxData3  | D8   | I, ID             | Table 25                       |
| TxData4  | A11  | I, ID             | Table 25                       |
| TxData5  | B13  | I, ID             | Table 25                       |
| TxData6  | D13  | I, ID             | Table 25                       |
| TxData7  | E14  | I, ID             | Table 25                       |
| TxSLEW_0 | N3   | I, ST, ID         | Table 32                       |
| TxSLEW_1 | M4   | I, ST, ID         | Table 32                       |
| TxSYNC0  | A6   | I, ID             | Table 27                       |
| TxSYNC1  | C16  | I, ID             | Table 27                       |
| VCCD     | F5   | –                 | Table 34                       |
| VCCD     | G13  | –                 | Table 34                       |
| VCCD     | J5   | –                 | Table 34                       |
| VCCD     | J14  | –                 | Table 34                       |
| VCCIO    | A2   | –                 | Table 34                       |
| VCCIO    | A8   | –                 | Table 34                       |
| VCCIO    | C1   | –                 | Table 34                       |
| VCCIO    | C11  | –                 | Table 34                       |
| VCCIO    | D14  | –                 | Table 34                       |
| VCCPECL  | L5   | –                 | Table 34                       |
| VCCPECL  | L13  | –                 | Table 34                       |
| VCCR     | N13  | –                 | Table 34                       |
| VCCR     | P4   | –                 | Table 34                       |
| VCCR     | P7   | –                 | Table 34                       |
| VCCR     | P8   | –                 | Table 34                       |
| VCCR     | P9   | –                 | Table 34                       |
| VCCR     | P10  | –                 | Table 34                       |
| VCCR     | P11  | –                 | Table 34                       |

| Signal | Ball | Type <sup>1</sup> | Reference for Full Description |
|--------|------|-------------------|--------------------------------|
| VCCR   | P12  | –                 | Table 34                       |
| VCCT   | N6   | –                 | Table 34                       |
| VCCT   | N7   | –                 | Table 34                       |
| VCCT   | N9   | –                 | Table 34                       |
| VCCT   | N11  | –                 | Table 34                       |
| VCCT   | N12  | –                 | Table 34                       |

**Table 23 SS-SMII BGA23 Ball List in Alphanumeric Order by Ball Location**

| Ball | Signal          | Type <sup>1</sup> | Reference for Full Description | Ball | Signal   | Type <sup>1</sup> | Reference for Full Description |
|------|-----------------|-------------------|--------------------------------|------|----------|-------------------|--------------------------------|
| A1   | GNDD            | –                 | Table 34                       | C3   | TxData1  | I, ID             | Table 25                       |
| A2   | VCCIO           | –                 | Table 34                       | C4   | NC       | –                 | Table 35                       |
| A3   | NC              | –                 | Table 35                       | C5   | GNDD     | –                 | Table 34                       |
| A4   | NC              | –                 | Table 35                       | C6   | NC       | –                 | Table 35                       |
| A5   | NC              | –                 | Table 35                       | C7   | RxData2  | O, TS, ID         | Table 27                       |
| A6   | TxSYNC0         | I, ID             | Table 27                       | C8   | TxCLK0   | I, ID             | Table 27                       |
| A7   | NC              | –                 | Table 35                       | C9   | MDINT1_L | OD, TS, SL, IP    | Table 28                       |
| A8   | VCCIO           | –                 | Table 34                       | C10  | NC       | –                 | Table 35                       |
| A9   | GNDD            | –                 | Table 34                       | C11  | VCCIO    | –                 | Table 34                       |
| A10  | MDIO1           | I/O, TS, SL, IP   | Table 28                       | C12  | RxData4  | O, TS, ID         | Table 27                       |
| A11  | TxData4         | I, ID             | Table 25                       | C13  | GNDD     | –                 | Table 34                       |
| A12  | FIFOSEL0        | I, ID, ST         | Table 32                       | C14  | NC       | –                 | Table 35                       |
| A13  | NC              | –                 | Table 35                       | C15  | NC       | –                 | Table 35                       |
| A14  | NC              | –                 | Table 35                       | C16  | TxSYNC1  | I, ID             | Table 27                       |
| A15  | FIFOSEL1        | I, ID, ST         | Table 32                       | C17  | GNDD     | –                 | Table 34                       |
| A16  | NC              | –                 | Table 35                       | D1   | GNDD     | –                 | Table 34                       |
| A17  | NC/<br>LINKHOLD | I, ID, ST         | Table 35<br>Table 32           | D2   | MDIX     | I, ID, ST         | Table 32                       |
| B1   | RxData0         | O, TS, ID         | Table 27                       | D3   | GNDD     | –                 | Table 34                       |
| B2   | NC              | –                 | Table 35                       | D4   | NC       | –                 | Table 35                       |
| B3   | GNDD            | –                 | Table 34                       | D5   | PAUSE    | ID, I, ST         | Table 32                       |
| B4   | RxData1         | O, TS, ID         | Table 27                       | D6   | GNDD     | –                 | Table 34                       |
| B5   | TxData2         | I, ID             | Table 25                       | D7   | PREASEL  | I, ID, ST         | Table 32                       |
| B6   | NC              | –                 | Table 35                       | D8   | TxData3  | I, ID             | Table 25                       |
| B7   | GNDD            | –                 | Table 34                       | D9   | NC       | –                 | Table 35                       |
| B8   | NC              | –                 | Table 35                       | D10  | GNDD     | –                 | Table 34                       |
| B9   | RxData3         | O, TS, ID         | Table 27                       | D11  | NC       | –                 | Table 35                       |
| B10  | MDC1            | I, ST, ID         | Table 28                       | D12  | NC       | –                 | Table 35                       |
| B11  | RxCLK1          | O, TS, ID         | Table 27                       | D13  | TxData6  | I, ID             | Table 25                       |
| B12  | RxSYNC1         | O, TS, ID         | Table 27                       | D14  | VCCIO    | –                 | Table 34                       |
| B13  | TxData5         | I, ID             | Table 25                       | D15  | GNDD     | –                 | Table 34                       |
| B14  | NC              | –                 | Table 35                       | D16  | NC       | –                 | Table 35                       |
| B15  | RxData5         | O, TS, ID         | Table 27                       | D17  | TxCLK1   | I, ID             | Table 27                       |
| B16  | NC              | –                 | Table 35                       | E1   | MDC0     | I, ST, ID         | Table 28                       |
| B17  | RxData6         | O, TS, ID         | Table 27                       | E2   | TxData0  | I, ID             | Table 25                       |
| C1   | VCCIO           | –                 | Table 34                       | E3   | RxCLK0   | O, TS, ID         | Table 27                       |
| C2   | NC              | –                 | Table 35                       | E4   | RxSYNC0  | O, TS, ID         | Table 27                       |
|      |                 |                   |                                | E5   | GNDD     | –                 | Table 34                       |

| Ball | Signal   | Type <sup>1</sup> | Reference for Full Description |
|------|----------|-------------------|--------------------------------|
| E6   | REFCLK0  | I                 | Table 25                       |
| E7   | GNDD     | –                 | Table 34                       |
| E8   | No Ball  | –                 | –                              |
| E9   | GNDD     | –                 | Table 34                       |
| E10  | No Ball  | –                 | –                              |
| E11  | GNDD     | –                 | Table 34                       |
| E12  | REFCLK1  | I                 | Table 25                       |
| E13  | GNDD     | –                 | Table 34                       |
| E14  | TxDat7   | I, ID             | Table 25                       |
| E15  | NC       | –                 | Table 35                       |
| E16  | NC       | –                 | Table 35                       |
| E17  | GNDD     | –                 | Table 34                       |
| F1   | MDINT0_L | OD, TS, SL, IP    | Table 28                       |
| F2   | LED3_1_L | OD, TS, SL, IP    | Table 33                       |
| F3   | MDIO0    | I/O, TS, SL, IP   | Table 28                       |
| F4   | NC       | –                 | Table 35                       |
| F5   | VCCD     | –                 | Table 34                       |
| F6   | No ball  | –                 | –                              |
| F7   | No ball  | –                 | –                              |
| F8   | No ball  | –                 | –                              |
| F9   | No Ball  | –                 | –                              |
| F10  | No Ball  | –                 | –                              |
| F11  | No Ball  | –                 | –                              |
| F12  | No Ball  | –                 | –                              |
| F13  | GNDD     | –                 | Table 34                       |
| F14  | RxDat7   | O, TS, ID         | Table 27                       |
| F15  | NC       | –                 | Table 35                       |
| F16  | LED7_3_L | OD, TS, SL, IP    | Table 33                       |
| F17  | LED7_2_L | OD, TS, SL, IP    | Table 33                       |
| G1   | LED2_3_L | OD, TS, SL, IP    | Table 33                       |
| G2   | NC       | –                 | Table 35                       |
| G3   | LED3_2_L | OD, TS, SL, IP    | Table 33                       |
| G4   | LED3_3_L | OD, TS, SL, IP    | Table 33                       |

| Ball | Signal   | Type <sup>1</sup> | Reference for Full Description |
|------|----------|-------------------|--------------------------------|
| G5   | NC       | –                 | Table 35                       |
| G6   | No Ball  | –                 | –                              |
| G7   | No Ball  | –                 | –                              |
| G8   | No Ball  | –                 | –                              |
| G9   | No Ball  | –                 | –                              |
| G10  | No Ball  | –                 | –                              |
| G11  | No Ball  | –                 | –                              |
| G12  | No Ball  | –                 | –                              |
| G13  | VCCD     | –                 | Table 34                       |
| G14  | NC       | –                 | Table 35                       |
| G15  | LED7_1_L | OD, TS, SL, IP    | Table 33                       |
| G16  | NC       | –                 | Table 35                       |
| G17  | LED6_3_L | OD, TS, SL, IP    | Table 33                       |
| H1   | LED1_3_L | OD, TS, SL, IP    | Table 33                       |
| H2   | LED2_1_L | OD, TS, SL, IP    | Table 33                       |
| H3   | LED2_2_L | OD, TS, SL, IP    | Table 33                       |
| H4   | NC       | –                 | Table 35                       |
| H5   | No Ball  | –                 | –                              |
| H6   | No Ball  | –                 | –                              |
| H7   | No Ball  | –                 | –                              |
| H8   | GNDD     | –                 | Table 34                       |
| H9   | GNDD     | –                 | Table 34                       |
| H10  | GNDD     | –                 | Table 34                       |
| H11  | No Ball  | –                 | –                              |
| H12  | No Ball  | –                 | –                              |
| H13  | No Ball  | –                 | –                              |
| H14  | NC       | –                 | Table 35                       |
| H15  | LED6_1_L | OD, TS, SL, IP    | Table 33                       |
| H16  | LED6_2_L | OD, TS, SL, IP    | Table 33                       |
| H17  | LED5_3_L | OD, TS, SL, IP    | Table 33                       |
| J1   | LED0_3_L | OD, TS, SL, IP    | Table 33                       |
| J2   | NC       | –                 | Table 35                       |

| Ball | Signal   | Type <sup>1</sup> | Reference for Full Description |
|------|----------|-------------------|--------------------------------|
| J3   | LED1_2_L | OD, TS, SL, IP    | Table 33                       |
| J4   | LED1_1_L | OD, TS, SL, IP    | Table 33                       |
| J5   | VCCD     | –                 | Table 34                       |
| J6   | No Ball  | –                 | –                              |
| J7   | No Ball  | –                 | –                              |
| J8   | GNDD     | –                 | Table 34                       |
| J9   | GNDD     | –                 | Table 34                       |
| J10  | GNDD     | –                 | Table 34                       |
| J11  | No Ball  | –                 | –                              |
| J12  | No Ball  | –                 | –                              |
| J13  | NC       | –                 | Table 35                       |
| J14  | VCCD     | –                 | Table 34                       |
| J15  | LED5_1_L | OD, TS, SL, IP    | Table 33                       |
| J16  | LED5_2_L | OD, TS, SL, IP    | Table 33                       |
| J17  | LED4_3_L | OD, TS, SL, IP    | Table 33                       |
| K1   | AMDIX_EN | I, ST, IP         | Table 32                       |
| K2   | LED0_2_L | OD, TS, SL, IP    | Table 33                       |
| K3   | LED0_1_L | OD, TS, SL, IP    | Table 33                       |
| K4   | NC       | –                 | Table 35                       |
| K5   | No Ball  | –                 | –                              |
| K6   | No Ball  | –                 | –                              |
| K7   | No Ball  | –                 | –                              |
| K8   | GNDD     | –                 | Table 34                       |
| K9   | GNDD     | –                 | Table 34                       |
| K10  | GNDD     | –                 | Table 34                       |
| K11  | No Ball  | –                 | –                              |
| K12  | No Ball  | –                 | –                              |
| K13  | No Ball  | –                 | –                              |
| K14  | SGND     | –                 | Table 34                       |
| K15  | NC       | –                 | Table 35                       |
| K16  | LED4_1_L | OD, TS, SL, IP    | Table 33                       |
| K17  | LED4_2_L | OD, TS, SL, IP    | Table 33                       |
| L1   | MDDIS    | I, ST, ID         | Table 28                       |

| Ball | Signal    | Type <sup>1</sup> | Reference for Full Description |
|------|-----------|-------------------|--------------------------------|
| L2   | CFG_3     | I, ST, ID         | Table 32                       |
| L3   | CFG_2     | I, ST, ID         | Table 32                       |
| L4   | ADD_4     | I, ST, ID         | Table 32                       |
| L5   | VCCPECL   | –                 | Table 34                       |
| L6   | No Ball   | –                 | –                              |
| L7   | No Ball   | –                 | –                              |
| L8   | No Ball   | –                 | –                              |
| L9   | No Ball   | –                 | –                              |
| L10  | No Ball   | –                 | –                              |
| L11  | No Ball   | –                 | –                              |
| L11  | No Ball   | –                 | –                              |
| L13  | VCCPECL   | –                 | Table 34                       |
| L14  | PWRDWN    | I, ST, ID         | Table 32                       |
| L15  | SECTION   | I, ID, ST         | Table 32                       |
| L16  | ModeSel0  | I, ST, ID         | Table 32                       |
| L17  | ModeSel1  | I, ST, ID         | Table 32                       |
| M1   | CFG_1     | I, ST, ID         | Table 32                       |
| M2   | ADD_3     | I, ST, ID         | Table 32                       |
| M3   | ADD_2     | I, ST, ID         | Table 32                       |
| M4   | TxSLEW_1  | I, ST, ID         | Table 32                       |
| M5   | GNDPECL   | –                 | Table 34                       |
| M6   | No Ball   | –                 | –                              |
| M7   | No Ball   | –                 | –                              |
| M8   | No Ball   | –                 | –                              |
| M9   | No Ball   | –                 | –                              |
| M10  | No Ball   | –                 | –                              |
| M11  | No Ball   | –                 | –                              |
| M12  | No Ball   | –                 | –                              |
| M13  | GNDPECL   | –                 | Table 34                       |
| M14  | G_FX/TP_L | I, ID, ST         | Table 32                       |
| M15  | RESET_L   | I, IP, ST         | Table 32                       |
| M16  | TCK       | I, ST, ID         | Table 31                       |
| M17  | TRST_L    | I, IP, ST         | Table 31                       |
| N1   | ADD_1     | I, ID, ST         | Table 32                       |
| N2   | ADD_0     | I, ID, ST         | Table 32                       |
| N3   | TxSLEW_0  | I, ID, ST         | Table 32                       |
| N4   | SD1       | I                 | Table 29                       |
| N5   | SD3       | I                 | Table 29                       |

| Ball | Signal  | Type <sup>1</sup> | Reference for Full Description |
|------|---------|-------------------|--------------------------------|
| N6   | VCCT    | –                 | Table 34                       |
| N7   | VCCT    | –                 | Table 34                       |
| N8   | No Ball | –                 | –                              |
| N9   | VCCT    | –                 | Table 34                       |
| N10  | No Ball | –                 | –                              |
| N11  | VCCT    | –                 | Table 34                       |
| N12  | VCCT    | –                 | Table 34                       |
| N13  | VCCR    | –                 | Table 34                       |
| N14  | TDI     | I, ST, IP         | Table 31                       |
| N15  | TDO     | O, TS             | Table 31                       |
| N16  | TMS     | I, ST, IP         | Table 31                       |
| N17  | SD7     | I                 | Table 29                       |
| P1   | SD_2P5V | I, ST, ID         | Table 29                       |
| P2   | SD0     | I                 | Table 29                       |
| P3   | SD2     | I                 | Table 29                       |
| P4   | VCCR    | –                 | Table 34                       |
| P5   | GNDR    | –                 | Table 34                       |
| P6   | GNDR    | –                 | Table 34                       |
| P7   | VCCR    | –                 | Table 34                       |
| P8   | VCCR    | –                 | Table 34                       |
| P9   | VCCR    | –                 | Table 34                       |
| P10  | VCCR    | –                 | Table 34                       |
| P11  | VCCR    | –                 | Table 34                       |
| P12  | VCCR    | –                 | Table 34                       |
| P13  | GNDR    | –                 | Table 34                       |
| P14  | GNDT    | –                 | Table 34                       |
| P15  | SD4     | I                 | Table 29                       |
| P16  | SD5     | I                 | Table 29                       |
| P17  | SD6     | I                 | Table 29                       |
| R1   | GNDT    | –                 | Table 34                       |
| R2   | TPFIP0  | AO/AI             | Table 30                       |
| R3   | GNDT    | –                 | Table 34                       |
| R4   | TPFON1  | AO/AI             | Table 30                       |
| R5   | GNDT    | –                 | Table 34                       |
| R6   | TPFIP2  | AO/AI             | Table 30                       |
| R7   | GNDR    | –                 | Table 34                       |
| R8   | TPFIN3  | AO/AI             | Table 30                       |
| R9   | GNDR    | –                 | Table 34                       |

| Ball | Signal | Type <sup>1</sup> | Reference for Full Description |
|------|--------|-------------------|--------------------------------|
| R10  | TPFON4 | AO/AI             | Table 30                       |
| R11  | GNDR   | –                 | Table 34                       |
| R12  | TPFIP6 | AO/AI             | Table 30                       |
| R13  | GNDR   | –                 | Table 34                       |
| R14  | TPFOP7 | AO/AI             | Table 30                       |
| R15  | GNDT   | –                 | Table 34                       |
| R16  | TPFIP7 | AO/AI             | Table 30                       |
| R17  | GNDT   | –                 | Table 34                       |
| T1   | TPFIN0 | AO/AI             | Table 30                       |
| T2   | TPFOP0 | AO/AI             | Table 30                       |
| T3   | TPFOP1 | AO/AI             | Table 30                       |
| T4   | TPFIN1 | AO/AI             | Table 30                       |
| T5   | TPFIN2 | AO/AI             | Table 30                       |
| T6   | TPFOP2 | AO/AI             | Table 30                       |
| T7   | TPFON3 | AO/AI             | Table 30                       |
| T8   | TPFIP3 | AO/AI             | Table 30                       |
| T9   | TPFIP4 | AO/AI             | Table 30                       |
| T10  | TPFOP4 | AO/AI             | Table 30                       |
| T11  | TPFOP5 | AO/AI             | Table 30                       |
| T12  | TPFIN5 | AO/AI             | Table 30                       |
| T13  | TPFIN6 | AO/AI             | Table 30                       |
| T14  | TPFOP6 | AO/AI             | Table 30                       |
| T15  | TPFON7 | AO/AI             | Table 30                       |
| T16  | TPFIN7 | AO/AI             | Table 30                       |
| T17  | GNDT   | –                 | Table 34                       |
| U1   | TPFON0 | AO/AI             | Table 30                       |
| U2   | GNDT   | –                 | Table 34                       |
| U3   | TPFIP1 | AO/AI             | Table 30                       |
| U4   | GNDT   | –                 | Table 34                       |
| U5   | TPFON2 | AO/AI             | Table 30                       |
| U6   | GNDT   | –                 | Table 34                       |
| U7   | TPFOP3 | AO/AI             | Table 30                       |
| U8   | GNDR   | –                 | Table 34                       |
| U9   | TPFIN4 | AO/AI             | Table 30                       |
| U10  | GNDT   | –                 | Table 34                       |
| U11  | TPFON5 | AO/AI             | Table 30                       |
| U12  | GNDT   | –                 | Table 34                       |
| U13  | TPFIP5 | AO/AI             | Table 30                       |

| Ball | Signal | Type <sup>1</sup> | Reference for Full Description |
|------|--------|-------------------|--------------------------------|
| U14  | GNDT   | –                 | Table 34                       |
| U15  | TPFON6 | AO/AI             | Table 30                       |
| U16  | GNDT   | –                 | Table 34                       |
| U17  | GNDT   | –                 | Table 34                       |

## 3.4 BGA23 Signal Descriptions

### 3.4.1 Signal Name Conventions

Signal names may contain either a port designation or a serial designation, or a combination of the two designations. Signal naming conventions are as follows:

- **Port Number Only.** Individual signals that apply to a particular port are designated by the Signal Mnemonic, immediately followed by the Port Designation. For example, Transmit Enable signals would be identified as TxEN0, TxEN1, and TxEN2.
- **Serial Number Only.** A set of signals which are not tied to any specific port are designated by the Signal Mnemonic, followed by an underscore and a serial designation. For example, a set of three Global Configuration signals would be identified as CFG\_1, CFG\_2, and CFG\_3.
- **Port and Serial Number.** In cases where each port is assigned a set of multiple signals, each signal is designated in the following order: Signal Mnemonic, Port Designation, an underscore, and the serial designation. For example, a set of three Port Configuration signals would be identified as RxData0\_0 and RxData0\_1, RxData1\_0 and RxData1\_1, and RxData2\_0 and RxData2\_1.

### 3.4.2 Signal Descriptions – RMII, SMII, and SS-SMII Configurations

**Table 24 RMII Signal Descriptions – BGA23 (Sheet 1 of 3)**

| Ball/Pin Designation                                    |  | Symbol   | Type <sup>1</sup> | Signal Description <sup>2,3</sup>  |
|---|--|--|-------------------|--|
| BGA23   | PQFP   |  |                   |  |
| E6,<br>E12  | 44<br>6                                      | REFCLK0<br>REFCLK1   | I                 | <b>Reference Clock.</b><br>50 MHz RMII reference clock is always required. RMII inputs are sampled on the rising edge of REFCLK, RMII outputs are sourced on the falling edge. |
| E2,<br>F4   | 61<br>62                                     | TxData0_0<br>TxData0_1   | I, ID             | <b>Transmit Data - Port 0.</b><br>Inputs containing 2-bit parallel di-bits to be transmitted from port 0 are clocked in synchronously to REFCLK.                               |
| C3,<br>D4   | 52<br>53                                     | TxData1_0<br>TxData1_1   | I, ID             | <b>Transmit Data - Port 1.</b><br>Inputs containing 2-bit parallel di-bits to be transmitted from port 1 are clocked in synchronously to REFCLK.                               |
| B5<br>A4  | 42<br>43                                     | TxData2_0<br>TxData2_1   | I, ID             | <b>Transmit Data - Port 2.</b><br>Inputs containing 2-bit parallel di-bits to be transmitted from port 2 are clocked in synchronously to REFCLK.                               |
| D8,<br>A6   | 34<br>35                                     | TxData3_0<br>TxData3_1   | I, ID             | <b>Transmit Data - Port 3.</b><br>Inputs containing 2-bit parallel di-bits to be transmitted from port 3 are clocked in synchronously to REFCLK.                               |
| A11,<br>C10   | 22<br>23                                     | TxData4_0<br>TxData4_1   | I, ID             | <b>Transmit Data - Port 4.</b><br>Inputs containing 2-bit parallel di-bits to be transmitted from port 4 are clocked in synchronously to REFCLK.                               |
| B13,<br>D11   | 13<br>14                                     | TxData5_0<br>TxData5_1   | I, ID             | <b>Transmit Data - Port 5.</b><br>Inputs containing 2-bit parallel di-bits to be transmitted from port 5 are clocked in synchronously to REFCLK.                               |
| D13,<br>A16   | 4<br>5                                       | TxData6_0<br>TxData6_1   | I, ID             | <b>Transmit Data - Port 6.</b><br>Inputs containing 2-bit parallel di-bits to be transmitted from port 6 are clocked in synchronously to REFCLK.                               |
| E14,<br>C16   | 203<br>204                                   | TxData7_0<br>TxData7_1   | I, ID             | <b>Transmit Data - Port 7.</b><br>Inputs containing 2-bit parallel di-bits to be transmitted from port 7 are clocked in synchronously to REFCLK.                               |
| E3,<br>B2,<br>C6,<br>A7,<br>B11,<br>A14,<br>C14,<br>D16 | 60<br>51<br>41<br>33<br>21<br>12<br>3<br>202 | TxEN0<br>TxEN1<br>TxEN2<br>TxEN3<br>TxEN4<br>TxEN5<br>TxEN6<br>TxEN7 | I, ID             | <b>Transmit Enable - Ports 0-7.</b><br>Active High input enables respective port transmitter. This signal must be synchronous to the REFCLK.                                   |

1. Type Column Coding: I = Input, O = Output, OD = Open Drain output, ST = Schmitt Triggered input, TS = Three-State-able output, SL = Slew-rate Limited output, IP = weak Internal Pull-up, ID = weak Internal pull-Down.  
 2. The IP/ID resistors are disabled during H/W Power-Down mode. If a Pin is an output or an I/O, the IP/ID resistors are also disabled when the output is enabled.  
 3. RxData[0:7]\_0, RxData[0:7]\_1, CRS\_DV[0:7] and RxER[0:7] outputs are three-stated in Isolation and H/W Power-Down modes and during H/W reset.



**Table 24 RMI Signal Descriptions – BGA23 (Sheet 2 of 3)**

| Ball/Pin Designation  |            | Symbol                 | Type <sup>1</sup>  | Signal Description <sup>2,3</sup>  |
|---|------------|------------------------|--------------------|--|
| BGA23   | PQFP       |                        |                    |  |
| C2,<br>B1   | 55<br>54   | RxData0_0<br>RxData0_1 | O, TS<br>O, TS, ID | <b>Receive Data - Port 0.</b><br>Receive data signals (2-bit parallel di-bits) are driven synchronously to REFCLK. |
| A3,<br>B4   | 46<br>45   | RxData1_0<br>RxData1_1 | O, TS<br>O, TS, ID | <b>Receive Data - Port 1.</b><br>Receive data signals (2-bit parallel di-bits) are driven synchronously to REFCLK. |
| B6,<br>C7   | 37<br>36   | RxData2_0<br>RxData2_1 | O, TS<br>O, TS, ID | <b>Receive Data - Port 2.</b><br>Receive data signals (2-bit parallel di-bits) are driven synchronously to REFCLK. |
| D9,<br>B9   | 28<br>27   | RxData3_0<br>RxData3_1 | O, TS<br>O, TS, ID | <b>Receive Data - Port 3.</b><br>Receive data signals (2-bit parallel di-bits) are driven synchronously to REFCLK. |
| A13,<br>C12   | 16<br>15   | RxData4_0<br>RxData4_1 | O, TS<br>O, TS, ID | <b>Receive Data - Port 4.</b><br>Receive data signals (2-bit parallel di-bits) are driven synchronously to REFCLK. |
| B14,<br>B15   | 8<br>7     | RxData5_0<br>RxData5_1 | O, TS<br>O, TS, ID | <b>Receive Data - Port 5.</b><br>Receive data signals (2-bit parallel di-bits) are driven synchronously to REFCLK. |
| C15,<br>B17   | 206<br>205 | RxData6_0<br>RxData6_1 | O, TS<br>O, TS, ID | <b>Receive Data - Port 6.</b><br>Receive data signals (2-bit parallel di-bits) are driven synchronously to REFCLK. |
| <ol style="list-style-type: none"> <li>1. Type Column Coding: I = Input, O = Output, OD = Open Drain output, ST = Schmitt Triggered input, TS = Three-State-able output, SL = Slew-rate Limited output, IP = weak Internal Pull-up, ID = weak Internal pull-Down.</li> <li>2. The IP/ID resistors are disabled during H/W Power-Down mode. If a Pin is an output or an I/O, the IP/ID resistors are also disabled when the output is enabled.</li> <li>3. RxData[0:7]_0, RxData[0:7]_1, CRS_DV[0:7] and RxER[0:7] outputs are three-stated in Isolation and H/W Power-Down modes and during H/W reset.</li> </ol> |            |                        |                    |  |

**Table 24 RMI Signal Descriptions – BGA23 (Sheet 3 of 3)**

| Ball/Pin Designation  |  | Symbol   | Type <sup>1</sup>       | Signal Description <sup>2,3</sup>   |
|---|--|--|-------------------------|---|
| BGA23   | PQFP   |  |                         |   |
| E16,<br>F14   | 198<br>197                                   | RxData7_0<br>RxData7_1   | O, TS<br>O, TS, ID      | <b>Receive Data - Port 7.</b><br>Receive data signals (2-bit parallel di-bits) are driven synchronously to REFCLK.  |
| E4,<br>C4,<br>A5,<br>B8,<br>B12,<br>D12,<br>B16,<br>E15   | 58<br>49<br>39<br>31<br>17<br>10<br>1<br>200 | CRS_DV0<br>CRS_DV1<br>CRS_DV2<br>CRS_DV3<br>CRS_DV4<br>CRS_DV5<br>CRS_DV6<br>CRS_DV7 | O, TS, SL,<br>ID        | <b>Carrier Sense/Receive Data Valid - Ports 0-7.</b><br>On detection of valid carrier, these signals are asserted asynchronously with respect to REFCLK. CRS_DVn is de-asserted on loss of carrier, synchronous to REFCLK.  |
| D2,<br>D5,<br>D7,<br>C8,<br>A12,<br>A15,<br>A17,<br>D17   | 59<br>50<br>40<br>32<br>20<br>11<br>2<br>201 | RxER0<br>RxER1<br>RxER2<br>RxER3<br>RxER4<br>RxER5<br>RxER6<br>RxER7                 | O, TS, SL,<br>ID, I, ST | <b>Receive Error - Ports 0-7.</b><br>These signals are synchronous to the respective REFCLK. Active High indicates that received code group is invalid, or that PLL is not locked.<br>The RxER signals have the following additional function pins:<br>RxER0 (MDIX)<br>RxER1 (PAUSE)<br>RxER2 (PREASEL)<br>RxER4 (FIFOSEL0)<br>RxER5 (FIFOSEL1)<br>RxER6 (LINKHOLD) |
| <ol style="list-style-type: none"> <li>1. Type Column Coding: I = Input, O = Output, OD = Open Drain output, ST = Schmitt Triggered input, TS = Three-State-able output, SL = Slew-rate Limited output, IP = weak Internal Pull-up, ID = weak Internal pull-Down.</li> <li>2. The IP/ID resistors are disabled during H/W Power-Down mode. If a Pin is an output or an I/O, the IP/ID resistors are also disabled when the output is enabled.</li> <li>3. RxData[0:7]_0, RxData[0:7]_1, CRS_DV[0:7] and RxER[0:7] outputs are three-stated in Isolation and H/W Power-Down modes and during H/W reset.</li> </ol> |  |  |                         |   |

**Table 25 SMII/SS-SMII Common Signal Descriptions – BGA23**

| Ball/Pin Designation                                    |  | Symbol   | Type <sup>1</sup> | Signal Description <sup>2</sup>   |
|---|--|--|-------------------|---|
| BGA23   | PQFP   |  |                   |   |
| E2,<br>C3,<br>B5,<br>D8,<br>A11,<br>B13,<br>D13,<br>E14 | 61<br>52<br>42<br>34<br>22<br>13<br>4<br>203 | TxData0<br>TxData1<br>TxData2<br>TxData3<br>TxData4<br>TxData5<br>TxData6<br>TxData7 | I, ID             | <b>Transmit Data - Ports 0-7.</b><br>These serial input streams provide data to be transmitted to the network. The LXT9785/LXT9785E clocks the data in synchronously to REFCLK.   |
| E6,<br>E12  | 44<br>6                                      | REFCLK0<br>REFCLK1   | I                 | <b>Reference Clock.</b><br>The LXT9785/LXT9785E always requires a 125 MHz reference clock input. Refer to Functional Description for detailed clock requirements. REFCLK0 and REFCLK1 are always connected regardless of sectionalization mode. |

1. Type Column Coding: I = Input, O = Output, OD = Open Drain output, ST = Schmitt Triggered input, TS = Three-State-able output, SL = Slew-rate Limited output, IP = weak Internal Pull-up, ID = weak Internal pull-Down.  
 2. The IP/ID resistors are disabled during H/W Power-Down mode.

**Table 26 SMII Specific Signal Descriptions – BGA23**

| Pin/Ball Designation                                    |   | Symbol   | Type <sup>1</sup> | Signal Description <sup>2,3</sup>   |
|---|---|--|-------------------|---|
| BGA23   | PQFP  |  |                   |   |
| A6,<br>C16  | 35<br>204                                     | SYNC0<br>SYNC1   | I, ID             | <b>SMII Synchronization.</b><br>The MAC must generate a SYNC pulse every 10 REFCLK cycles to synchronize the SMII. SYNC0 is used when 1x8 port sectionalization is selected. SYNC0 and SYNC1 are to be used when 2x4 port sectionalization is chosen. |
| C2,<br>A3,<br>B6,<br>D9,<br>A13,<br>B14,<br>C15,<br>E16 | 55<br>46<br>37<br>28<br>16<br>8<br>206<br>198 | RxData0<br>RxData1<br>RxData2<br>RxData3<br>RxData4<br>RxData5<br>RxData6<br>RxData7 | O, TS             | <b>Receive Data - Ports 0-7.</b><br>These serial output streams provide data received from the network. The LXT9785/LXT9785E drives the data out synchronously to RXCLK.  |

1. Type Column Coding: I = Input, O = Output, OD = Open Drain output, ST = Schmitt Triggered input, TS = Three-State-able output, SL = Slew-rate Limited output, IP = weak Internal Pull-up, ID = weak Internal pull-Down.  
 2. The IP/ID resistors are disabled during H/W Power-Down mode.  
 3. RxData[0:7] outputs are three-stated in Isolation and hardware power-down modes and during hardware reset.

**Table 27 SS-SMII Specific Signal Descriptions – BGA23**

| Ball/Pin Designation                                    |   | Symbol   | Type <sup>1</sup> | Signal Description <sup>2,3</sup>  |
|---|---|--|-------------------|--|
| BGA23   | PQFP  |  |                   |  |
| A6,<br>C16  | 35<br>204                                     | TxSYNC0<br>TxSYNC1   | I, ID             | <b>SS-SMII Transmit Synchronization.</b><br>The MAC must generate a TxSYNC pulse every 10 TxCLK cycles to mark the start of TxData segments. TxSYNC0 is used when 1x8 port sectionalization is selected.   |
| E4,<br>B12  | 58<br>17                                      | RxSYNC0<br>RxSYNC1   | O, TS,<br>ID      | <b>SS-SMII Receive Synchronization.</b><br>The LXT9785/LXT9785E generates these pulses every 10 RxCLK cycles to mark the start of RxData segments for the MAC. RxSYNC1 is used when 1x8 port sectionalization is selected. RxSYNC0 may not be used. These outputs are only enabled when SS-SMII mode is enabled. |
| C8,<br>D17  | 32<br>201                                     | TxCLK0<br>TxCLK1   | I, ID             | <b>SS-SMII Transmit Clock.</b><br>The MAC sources this 125 MHz clock as the timing reference for TxData and TxSYNC. Only TxCLK0 is used when 1x8 port sectionalization is selected.  |
| E3,<br>B11  | 60<br>21                                      | RxCLK0<br>RxCLK1   | O, TS,<br>ID      | <b>SS-SMII Receive Clock.</b><br>The LXT9785/LXT9785E generates these clocks, based on REFCLK, to provide a timing reference for RxData and RxSYNC to the MAC. RxCLK1 is used when 1x8 port sectionalization is selected. RxCLK0 may not be used.  |
| B1,<br>B4,<br>C7,<br>B9,<br>C12,<br>B15,<br>B17,<br>F14 | 54<br>45<br>36<br>27<br>15<br>7<br>205<br>197 | RxData0<br>RxData1<br>RxData2<br>RxData3<br>RxData4<br>RxData5<br>RxData6<br>RxData7 | O, TS,<br>ID      | <b>Receive Data - Ports 0-7.</b><br>These serial output streams provide data received from the network. The LXT9785/LXT9785E drives the data out synchronously to REFCLK.  |

1. Type Column Coding: I = Input, O = Output, OD = Open Drain output, ST = Schmitt Triggered input, TS = Three-State-able output, SL = Slew-rate Limited output, IP = weak Internal Pull-up, ID = weak Internal pull-Down.
2. The IP/ID resistors are disabled during H/W Power-Down mode. If a Pin is an output or an I/O, the IP/ID resistors are also disabled when the output is enabled.
3. RxData[0:7], RxSYNC[0:1], and RxCLK[0:1] outputs are three-stated in Isolation and H/W Power-Down modes and during H/W reset.

**Table 28 MDIO Control Interface Signals – BGA23**

| Ball/Pin Designation |          | Symbol               | Type <sup>1</sup>  | Signal Description <sup>2,3,4</sup>  |
|----------------------|----------|----------------------|--------------------|--|
| BGA23                | PQFP     |                      |                    |  |
| F3,<br>A10           | 64<br>25 | MDIO0<br>MDIO1       | I/O, TS, SL,<br>IP | <b>Management Data Input/Output.</b><br>Bidirectional serial data channel for communication between the PHY and MAC or switch ASIC. Only MDIO0 is used when 1x8 port sectionalization is selected. In 2x4 port sectionalization mode, MDIO0 accesses ports 0-3 and MDIO1 accesses ports 4-7. Refer to <a href="#">Figure 21, Typical SS-SMII Quad Sectionalization</a> , on page 136.  |
| F1,<br>C9            | 67<br>26 | MDINT0_L<br>MDINT1_L | OD, TS, SL,<br>IP  | <b>Management Data Interrupt.</b><br>When Register bit 18.1 = 1, an active Low output on this Pin indicates status change. Only MDINT0_L is used when 1x8 port sectionalization is selected. In 2x4 port sectionalization mode, MDINT0_L is associated with ports 0-3 and MDINT1_L is associated with ports 4-7. Refer to <a href="#">Figure 21, Typical SS-SMII Quad Sectionalization</a> , on page 136.  |
| E1,<br>B10           | 63<br>24 | MDC0<br>MDC1         | I, ST, ID          | <b>Management Data Clock.</b><br>Clock for the MDIO serial data channel. Maximum frequency is 20 MHz. Only MDC0 is used when 1x8 port sectionalization is selected. In 2x4 port sectionalization mode, MDC0 clocks ports 0-3 register accesses and MDC1 clocks ports 4-7 register accesses. Refer to <a href="#">Figure 21, Typical SS-SMII Quad Sectionalization</a> , on page 136.   |
| L1                   | 84       | MDDIS                | I, ST, ID          | <b>Management Disable.</b><br>When MDDIS is tied High, the MDIO port is completely disabled and the Hardware Control Interface pins set their respective bits at power up and reset.<br>When MDDIS is pulled Low at power up or reset, via the internal pull-down resistor or by tying it to ground, the Hardware Control Interface Pins control only the initial or “default” values of their respective register bits. After the power-up/reset cycle is complete, bit control reverts to the MDIO serial channel. |

1. Type Column Coding: I = Input, O = Output, OD = Open Drain output, ST = Schmitt Triggered input, TS = Three-State-able output, SL = Slew-rate Limited output, IP = weak Internal Pull-up, ID = weak Internal pull-Down.
2. The IP/ID resistors are disabled during H/W Power-Down mode. If a Pin is an output or an I/O, the IP/ID resistors are also disabled when the output is enabled.
3. MDIO[0:1] and MDINT[0:1]\_L outputs are three-stated in H/W Power-Down mode and during H/W reset.
4. Supports the 802.3 MDIO register set. Specific bits in the registers are referenced using an “X.Y” notation, where X is the register number (0-32) and Y is the bit number (0-15).

**Table 29 Signal Detect – BGA23**

| Ball/Pin Designation                                    |  | Symbol   | Type <sup>1</sup> | Signal Description <sup>2,3</sup>   |
|---|--|--|-------------------|---|
| BGA23   | PQFP   |  |                   |   |
| P1  | 95   | SD_2P5V  | I, ST, ID         | <b>Signal Detect 2.5 Volt Interface.</b><br>SD input threshold voltage select.<br><b>Tie to VCCPECL =</b> Select 2.5 V LVPECL input levels<br><b>Float or Tie to GNDPECL =</b> Select 3.3 V LVPECL input levels   |
| P2,<br>N4,<br>P3,<br>N5,<br>P15,<br>P16,<br>P17,<br>N17 | 96<br>97<br>100<br>101<br>161<br>162<br>165<br>166 | SD0<br>SD1<br>SD2<br>SD3<br>SD4<br>SD5<br>SD6<br>SD7 | I                 | <b>Signal Detect - Ports 0-7.</b><br>Signal Detect input from the fiber transceiver (these inputs are only active for ports operating in fiber mode).<br><b>Logic High =</b> Normal operation (the process of searching for receive idles for the purpose of bringing link up is initiated)<br><b>Logic Low =</b> Link is declared lost |

1. Type Column Coding: I = Input, O = Output, OD = Open Drain output, ST = Schmitt Triggered input, TS = Three-State-able output, SL = Slew-rate Limited output, IP = weak Internal Pull-up, ID = weak Internal pull-Down.  
 2. The IP/ID resistors are disabled during H/W Power-Down mode.  
 3. Tie SD[0:7] inputs to GNDPECL if unused.

**Table 30 Network Interface Signal Descriptions – BGA23**

| Ball/Pin Designation  |  | Symbol   | Type <sup>1</sup> | Signal Description   |
|---|--|--|-------------------|--|
| BGA23   | PQFP   |  |                   |  |
| T2, U1,<br>T3, R4,<br>T6, U5,<br>U7, T7,<br>T10, R10,<br>T11, U11,<br>T14, U15,<br>R14, T15 | 107, 108<br>111, 110<br>121, 122<br>125, 124<br>136, 137<br>140, 139<br>150, 151<br>154, 153 | TPFOP0, TPFON0<br>TPFOP1, TPFON1<br>TPFOP2, TPFON2<br>TPFOP3, TPFON3<br>TPFOP4, TPFON4<br>TPFOP5, TPFON5<br>TPFOP6, TPFON6<br>TPFOP7, TPFON7 | AO/AI             | <b>Twisted-Pair/Fiber Outputs<sup>2</sup>, Positive &amp; Negative, Ports 0-7.</b><br>During 100BASE-TX or 10BASE-T operation, TPFO pins drive 802.3 compliant pulses onto the line.<br>During 100BASE-FX operation, TPFO pins produce differential LVPECL outputs for fiber transceivers.                       |
| R2, T1,<br>U3, T4,<br>R6, T5,<br>T8, R8,<br>T9, U9,<br>U13, T12,<br>R12, T13,<br>R16, T16   | 104, 105<br>115, 114<br>118, 119<br>129, 128<br>132, 133<br>143, 142<br>146, 147<br>157, 156 | TPFIP0, TPFIN0<br>TPFIP1, TPFIN1<br>TPFIP2, TPFIN2<br>TPFIP3, TPFIN3<br>TPFIP4, TPFIN4<br>TPFIP5, TPFIN5<br>TPFIP6, TPFIN6<br>TPFIP7, TPFIN7 | AI/AO             | <b>Twisted-Pair/Fiber Inputs<sup>3</sup>, Positive &amp; Negative, Ports 0-7.</b><br>During 100BASE-TX or 10BASE-T operation, TPFI pins receive differential 100BASE-TX or 10BASE-T signals from the line.<br>During 100BASE-FX operation, TPFI pins receive differential LVPECL inputs from fiber transceivers. |

1. Type Column Coding: AI = Analog Input, AO = Analog Output.  
 2. Switched to Inputs (see TPFIP/N description) when not in fiber mode and MDIX is not active [that is, twisted-pair, non-crossover MDI mode].  
 3. Switched to Outputs (see TPFOP/N description) when not in fiber mode and MDIX is not active [that is, twisted-pair, non-crossover MDI mode].

**Table 31 JTAG Test Signal Descriptions – BGA23**

| Ball/Pin Designation   |      | Symbol | Type <sup>1</sup> | Signal Description <sup>2,3</sup>   |
|--|------|--------|-------------------|---|
| BGA23  | PQFP |        |                   |   |
| N14  | 167  | TDI    | I, ST, IP         | <b>Test Data Input.</b><br>Test data sampled with respect to the rising edge of TCK.  |
| N15  | 168  | TDO    | O, TS             | <b>Test Data Output.</b><br>Test data driven with respect to the falling edge of TCK. |
| N16  | 169  | TMS    | I, ST, IP         | <b>Test Mode Select.</b>  |
| M16  | 170  | TCK    | I, ST, ID         | <b>Test Clock.</b><br>Clock input for JTAG test.                                      |
| M17  | 171  | TRST_L | I, ST, IP         | <b>Test Reset.</b><br>Reset input for JTAG test.                                      |
| <ol style="list-style-type: none"> <li>1. Type Column Coding: I = Input, O = Output, OD = Open Drain, TS = Three-State-able output, SMT = Schmitt Triggered input, SL = Slew-rate Limited output, IP = weak Internal Pull-up, ID = weak Internal pull-Down.</li> <li>2. The IP/ID resistors are disabled during H/W Power-Down mode. If a pin is an output or an I/O, the IP/ID resistors are also disabled when the output is enabled.</li> <li>3. TDO output is three-stated in H/W Power-Down mode and during H/W reset.</li> </ol> |      |        |                   |   |

**Table 32** Miscellaneous Signal Descriptions – BGA23 (Sheet 1 of 4)

| Ball/Pin Designation   |          | Symbol               | Type <sup>1</sup> | Signal Description <sup>2</sup>  |          |                                |                                |   |   |        |   |   |        |   |   |        |   |   |        |
|--|----------|----------------------|-------------------|--|----------|--------------------------------|--------------------------------|---|---|--------|---|---|--------|---|---|--------|---|---|--------|
| BGA23  | PQFP     |                      |                   |  |          |                                |                                |   |   |        |   |   |        |   |   |        |   |   |        |
| N3,<br>M4  | 94<br>93 | TxSLEW_0<br>TxSLEW_1 | I, ST, ID         | <p><b>Tx Output Slew Controls 0 and 1 Defaults.</b></p> <p>These pins are read at startup or reset. Their value at that time is used to set the default state of Register bits 27.11:10 for all ports. These register bits can be read and overwritten after startup / reset.</p> <p>These pins select the TX output slew rate for all ports (rise and fall time) as follows:</p> <table border="1"> <thead> <tr> <th>TxSLEW_1</th> <th>TxSLEW_0</th> <th>Slew Rate (Rise and Fall Time)</th> </tr> </thead> <tbody> <tr> <td>0</td> <td>0</td> <td>3.3 ns</td> </tr> <tr> <td>0</td> <td>1</td> <td>3.6 ns</td> </tr> <tr> <td>1</td> <td>0</td> <td>3.9 ns</td> </tr> <tr> <td>1</td> <td>1</td> <td>4.2 ns</td> </tr> </tbody> </table> | TxSLEW_1 | TxSLEW_0                       | Slew Rate (Rise and Fall Time) | 0 | 0 | 3.3 ns | 0 | 1 | 3.6 ns | 1 | 0 | 3.9 ns | 1 | 1 | 4.2 ns |
|  |          |                      |                   | TxSLEW_1   | TxSLEW_0 | Slew Rate (Rise and Fall Time) |                                |   |   |        |   |   |        |   |   |        |   |   |        |
|  |          |                      |                   | 0  | 0        | 3.3 ns                         |                                |   |   |        |   |   |        |   |   |        |   |   |        |
|  |          |                      |                   | 0  | 1        | 3.6 ns                         |                                |   |   |        |   |   |        |   |   |        |   |   |        |
|  |          |                      |                   | 1  | 0        | 3.9 ns                         |                                |   |   |        |   |   |        |   |   |        |   |   |        |
| 1  | 1        | 4.2 ns               |                   |  |          |                                |                                |   |   |        |   |   |        |   |   |        |   |   |        |
| D5   | 50       | PAUSE                | ID, I, ST         | <p><b>Pause Default.</b></p> <p>This pin is read at startup or reset. Its value at that time is used to set the default state of Register bit 4.10 for all ports. This register bit can be read and overwritten after startup / reset.</p> <p>When High, the LXT9785/LXT9785E advertises Pause capabilities on all ports during auto-negotiation.</p> <p>This pin is shared with RMI-RxER1. An external pull-up resistor (see applications section for value) can be used to set Pause active while RxER1 is three-stated during H/W reset. If no pull-up is used, the default Pause state is set inactive via the internal pull-down resistor.</p>  |          |                                |                                |   |   |        |   |   |        |   |   |        |   |   |        |
| L14  | 174      | PWRDWN               | I, ST, ID         | <p><b>Power-Down.</b></p> <p>When High, forces the LXT9785/LXT9785E into global power-down mode.</p> <p>Pin is not on JTAG chain.</p>  |          |                                |                                |   |   |        |   |   |        |   |   |        |   |   |        |
| M15  | 175      | RESET_L              | I, ST, IP         | <p><b>Reset.</b></p> <p>This active low input is ORed with the control register Reset Register bit 0.15. When held Low, all outputs are forced to inactive state.</p> <p>Pin is not on JTAG chain.</p>   |          |                                |                                |   |   |        |   |   |        |   |   |        |   |   |        |
| <p>1. Type Column Coding: I = Input, O = Output, OD = Open Drain Output, ST = Schmitt Triggered Input, TS = Three-State-able Output, SL = Slew-rate Limited Output, IP = Weak Internal Pull-Up, ID = Weak Internal Pull-Down.</p> <p>2. The IP/ID resistors are disabled during hardware power-down mode.</p> <p>3. The LINKHOLD ability is available only for stepping 4 (Revision D0).</p> |          |                      |                   |  |          |                                |                                |   |   |        |   |   |        |   |   |        |   |   |        |



**Table 32** Miscellaneous Signal Descriptions – BGA23 (Sheet 2 of 4)

| Ball/Pin Designation  |                            | Symbol                                    | Type <sup>1</sup> | Signal Description <sup>2</sup>  |
|---|----------------------------|---|-------------------|--|
| BGA23   | PQFP                       |   |                   |  |
| L4,<br>M2,<br>M3,<br>N1,<br>N2  | 88<br>89<br>90<br>91<br>92 | ADD_4<br>ADD_3<br>ADD_2<br>ADD_1<br>ADD_0 | I, ST, ID         | <b>Address &lt;4:0&gt;.</b><br>Sets base address. Each port adds its port number (starting with 0) to this address to determine its PHY address.<br>Port 0 Address = Base<br>Port 1 Address = Base + 1<br>Port 2 Address = Base + 2<br>Port 3 Address = Base + 3<br>Port 4 Address = Base + 4<br>Port 5 Address = Base + 5<br>Port 6 Address = Base + 6<br>Port 7 Address = Base + 7   |
| L17,<br>L16   | 178<br>177                 | MODESEL_1<br>MODESEL_0                    | I, ST, ID         | <b>Mode Select[1:0].</b><br>00 = RMII<br>01 = SMII<br>10 = SS-SMII<br>11 = Reserved<br>All ports are configured the same. Interfaces cannot be mixed and must be all RMII, SMII, or SS-SMII.   |
| L15   | 176                        | SECTION                                   | I, ST, ID         | <b>Sectionalization Select.</b><br>This pin selects sectionalization into separate ports.<br>0 = 1x8 ports,<br>1 = 2x4 ports   |
| K1  | 83                         | AMDIX_EN                                  | I, ST, IP         | <b>Auto MDI/MDIX Enable Default.</b><br>This pin is read at startup or reset. Its value at that time is used to set the default state of Register bit 27.9 for all ports. These register bits can be read and overwritten after startup / reset. Refer to <a href="#">Table 40, MDIX Selection, on page 116</a> .<br>When active (High), automatic MDI crossover (MDIX) (regardless of segmentation) is selected for all ports.<br>When inactive (Low) MDIX is selected according to the MDIX pin. |
| <ol style="list-style-type: none"> <li>1. Type Column Coding: I = Input, O = Output, OD = Open Drain Output, ST = Schmitt Triggered Input, TS = Three-State-able Output, SL = Slew-rate Limited Output, IP = Weak Internal Pull-Up, ID = Weak Internal Pull-Down.</li> <li>2. The IP/ID resistors are disabled during hardware power-down mode.</li> <li>3. The LINKHOLD ability is available only for stepping 4 (Revision D0).</li> </ol> |                            |   |                   |  |

**Table 32** Miscellaneous Signal Descriptions – BGA23 (Sheet 3 of 4)

| Ball/Pin Designation   |                | Symbol                  | Type <sup>1</sup> | Signal Description <sup>2</sup>   |
|--|----------------|-------------------------|-------------------|---|
| BGA23  | PQFP           |                         |                   |   |
| D2   | 59             | MDIX                    | I, ID, ST         | <p><b>MDIX Select Default.</b></p> <p>This pin is read at startup or reset. Its value at that time is used to set the default state of Register bit 27.8 for all ports. These register bits can be read and overwritten after startup / reset. Refer to <a href="#">Table 40, MDIX Selection</a>, on page 116.</p> <p>When AMDIX_EN is active this pin is ignored.</p> <p>When AMDIX_EN is inactive, all ports are forced to the MDI or the MDIX function regardless of segmentation. If this pin is active (high), MDI crossover (MDIX) is selected. If this pin is inactive, non-crossover MDI mode is set.</p> <p>This pin is shared with RMII-RxER0. An external pull-up resistor (see applications section for value) can be used to set MDIX active while RxER0 is three-stated during H/W reset. If no pull-up is used, the default MDIX state is set inactive via the internal pull-down resistor. Do not tie this pin directly to VCCIO (vs. using a pull-up) in non-RMII modes.</p> |
| L2,<br>L3,<br>M1   | 85<br>86<br>87 | CFG_3<br>CFG_2<br>CFG_1 | I, ST, ID         | <p><b>Global Port Configuration Defaults 1-3.</b></p> <p>These pins are read at startup or reset. Their value at that time is used to set the default state of register bits shown in <a href="#">Table 42, Global Hardware Configuration Settings</a>, on page 126 for all ports. These register bits can be read and overwritten after startup / reset.</p> <p>When operating in Hardware Control Mode, these pins provide configuration control options for all the ports (refer to <a href="#">Table 42, Global Hardware Configuration Settings</a>, on page 126 for details).</p>  |
| M14  | 173            | G_FX/TP_L               | I, ST, ID         | <p><b>Global FX/TP_L Enable Default.</b></p> <p>This pin is read at startup or reset. Its value at that time is used to set the default state of Register bit 16.0 for all ports. These register bits can be read and overwritten after startup / reset. Refer to <a href="#">Table 93, Port Configuration Register (Address 16, Hex 10)</a>, on page 199.</p> <p>This input selects whether all the ports are defaulted to TP vs. FX mode.</p>   |
| <p>1. Type Column Coding: I = Input, O = Output, OD = Open Drain Output, ST = Schmitt Triggered Input, TS = Three-State-able Output, SL = Slew-rate Limited Output, IP = Weak Internal Pull-Up, ID = Weak Internal Pull-Down.</p> <p>2. The IP/ID resistors are disabled during hardware power-down mode.</p> <p>3. The LINKHOLD ability is available only for stepping 4 (Revision D0).</p> |                |                         |                   |   |

**Table 32** Miscellaneous Signal Descriptions – BGA23 (Sheet 4 of 4)

| Ball/Pin Designation  |          | Symbol                | Type <sup>1</sup> | Signal Description <sup>2</sup>  |
|---|----------|-----------------------|-------------------|--|
| BGA23   | PQFP     |                       |                   |  |
| A15<br>A12  | 11<br>20 | FIFOSEL1<br>FIFOSEL0  | I, ID, ST         | <p><b>FIFO Select &lt;1:0&gt;.</b></p> <p>These pins are read at startup or reset. Their value at that time is used to set the default state of Register bits 18.15:14 for all ports. These register bits can be read and overwritten after startup/reset.</p> <p>These pins are shared with RMII-RxER&lt;5:4&gt;. An external pull-up resistor (see applications section for value) can be used to set FIFO Select&lt;1:0&gt; to active while RxER&lt;5:4&gt; are three-stated during hardware reset. If no pull-up is used, the default FIFO select state is set via the internal pull-down resistors.</p> <p>See <a href="#">Table 36, Receive FIFO Depth Configurations, on page 96.</a></p> |
| D7  | 40       | PREASEL               | I, ID, ST         | <p><b>Preamble Select.</b></p> <p>This pin is read at startup or reset. Its value at that time is used to set the default state of Register bit 16.5 for all ports. This register bit can be read and overwritten after startup/reset.</p> <p>This pin is shared with RMII-RxER2. An external pull-up resistor (see applications section for value) can be used to set Preamble Select to active while RxER2 is three-stated during hardware reset. If no pull-up is used, the default Preamble Select state is set via the internal pull-down resistors.</p> <p><b>Note:</b> Preamble select has no effect in 100 Mbps operation.</p>   |
| A17   | 2        | LINKHOLD <sup>3</sup> | I, ID, ST         | <p><b>LINKHOLD Default.</b> This pin is read at startup or reset. Its value at that time is used to set the default state of Register bit 0.11 for all ports. This register bit can be read and overwritten after startup / reset. When High, the LXT9785/LXT9785E powers down all ports.</p> <p>This pin is shared with RMII-RxER6. An external pull-up resistor (see applications section for value) can be used to set LINKHOLD active while RxER6 is tri-stated during H/W reset. If no pull-up is used, the default LINKHOLD state is set inactive via the internal pull-down resistor.</p>   |
| <ol style="list-style-type: none"> <li>1. Type Column Coding: I = Input, O = Output, OD = Open Drain Output, ST = Schmitt Triggered Input, TS = Three-State-able Output, SL = Slew-rate Limited Output, IP = Weak Internal Pull-Up, ID = Weak Internal Pull-Down.</li> <li>2. The IP/ID resistors are disabled during hardware power-down mode.</li> <li>3. The LINKHOLD ability is available only for stepping 4 (Revision D0).</li> </ol> |          |                       |                   |  |

**Table 33 LED Signal Descriptions – BGA23 (Sheet 1 of 2)**

| Ball/Pin Designation   |                   | Symbol                           | Type <sup>1</sup> | Signal Description <sup>2,3</sup>   |
|--|-------------------|----------------------------------|-------------------|---|
| BGA23  | PQFP              |                                  |                   |   |
| K3,<br>K2,<br>J1   | 82<br>81<br>80    | LED0_1_L<br>LED0_2_L<br>LED0_3_L | OD, TS, SL,<br>IP | <b>Port 0 LED Drivers 1-3.</b><br>These pins drive LED indicators for Port 0. Each LED can display one of several available status conditions as selected by the LED Configuration Register (refer to <a href="#">Table 97, LED Configuration Register (Address 20, Hex 14)</a> , on page 204 for details). |
| J4,<br>J3,<br>H1   | 77<br>76<br>75    | LED1_1_L<br>LED1_2_L<br>LED1_3_L | OD, TS, SL,<br>IP | <b>Port 1 LED Drivers 1-3.</b><br>These pins drive LED indicators for Port 1. Each LED can display one of several available status conditions as selected by the LED Configuration Register (refer to <a href="#">Table 97, LED Configuration Register (Address 20, Hex 14)</a> , on page 204 for details). |
| H2,<br>H3,<br>G1   | 73<br>72<br>71    | LED2_1_L<br>LED2_2_L<br>LED2_3_L | OD, TS, SL,<br>IP | <b>Port 2 LED Drivers 1-3.</b><br>These pins drive LED indicators for Port 2. Each LED can display one of several available status conditions as selected by the LED Configuration Register (refer to <a href="#">Table 97, LED Configuration Register (Address 20, Hex 14)</a> , on page 204 for details). |
| F2,<br>G3,<br>G4   | 70<br>69<br>68    | LED3_1_L<br>LED3_2_L<br>LED3_3_L | OD, TS, SL,<br>IP | <b>Port 3 LED Drivers 1-3.</b><br>These pins drive LED indicators for Port 3. Each LED can display one of several available status conditions as selected by the LED Configuration Register (refer to <a href="#">Table 97, LED Configuration Register (Address 20, Hex 14)</a> , on page 204 for details). |
| K16,<br>K17,<br>J17  | 180<br>181<br>182 | LED4_1_L<br>LED4_2_L<br>LED4_3_L | OD, TS, SL,<br>IP | <b>Port 4 LED Drivers 1-3.</b><br>These pins drive LED indicators for Port 4. Each LED can display one of several available status conditions as selected by the LED Configuration Register (refer to <a href="#">Table 97, LED Configuration Register (Address 20, Hex 14)</a> , on page 204 for details). |
| <ol style="list-style-type: none"> <li>1. Type Column Coding: I = Input, O = Output, OD = Open Drain output, ST = Schmitt Triggered input, TS = Three-State-able output, SL = Slew-rate Limited output, IP = weak Internal Pull-up, ID = weak Internal pull-Down.</li> <li>2. The IP/ID resistors are disabled during H/W Power-Down mode. If a pin is an output or an I/O, the IP/ID resistors are also disabled when the output is enabled.</li> <li>3. The LED outputs are three-stated in H/W Power-Down mode and during H/W reset.</li> </ol> |                   |                                  |                   |   |

**Table 33 LED Signal Descriptions – BGA23 (Sheet 2 of 2)**

| Ball/Pin Designation |                   | Symbol                           | Type <sup>1</sup> | Signal Description <sup>2,3</sup>   |
|----------------------|-------------------|----------------------------------|-------------------|---|
| BGA23                | PQFP              |                                  |                   |   |
| J15,<br>J16,<br>H17  | 185<br>186<br>187 | LED5_1_L<br>LED5_2_L<br>LED5_3_L | OD, TS, SL,<br>IP | <b>Port 5 LED Drivers 1-3.</b><br>These pins drive LED indicators for Port 5. Each LED can display one of several available status conditions as selected by the LED Configuration Register (refer to <a href="#">Table 97, LED Configuration Register (Address 20, Hex 14)</a> , on page 204 for details). |
| H15,<br>H16,<br>G17  | 189<br>190<br>191 | LED6_1_L<br>LED6_2_L<br>LED6_3_L | OD, TS, SL,<br>IP | <b>Port 6 LED Drivers 1-3.</b><br>These pins drive LED indicators for Port 6. Each LED can display one of several available status conditions as selected by the LED Configuration Register (refer to <a href="#">Table 97, LED Configuration Register (Address 20, Hex 14)</a> , on page 204 for details). |
| G15,<br>F17,<br>F16  | 192<br>193<br>194 | LED7_1_L<br>LED7_2_L<br>LED7_3_L | OD, TS, SL,<br>IP | <b>Port 7 LED Drivers 1-3.</b><br>These pins drive LED indicators for Port 7. Each LED can display one of several available status conditions as selected by the LED Configuration Register (refer to <a href="#">Table 97, LED Configuration Register (Address 20, Hex 14)</a> , on page 204 for details). |

1. Type Column Coding: I = Input, O = Output, OD = Open Drain output, ST = Schmitt Triggered input, TS = Three-State-able output, SL = Slew-rate Limited output, IP = weak Internal Pull-up, ID = weak Internal pull-Down.
2. The IP/ID resistors are disabled during H/W Power-Down mode. If a pin is an output or an I/O, the IP/ID resistors are also disabled when the output is enabled.
3. The LED outputs are three-stated in H/W Power-Down mode and during H/W reset.

**Table 34 Power Supply Signal Descriptions – BGA23 (Sheet 1 of 2)**

| Ball/Pin Designation             |                                 | Symbol  | Type | Signal Description   |
|----------------------------------|---------------------------------|---------|------|--|
| BGA23                            | PQFP                            |         |      |  |
| F5,<br>G13,<br>J14,<br>J5        | 65,<br>78,<br>184,<br>196       | VCCD    | –    | <b>Digital Power Supply - Core.</b><br>+2.5 V supply for core digital circuits.  |
| A2,<br>A8,<br>C1,<br>C11,<br>D14 | 18,<br>29,<br>47,<br>56,<br>208 | VCCIO   | –    | <b>Digital Power Supply - I/O Ring.</b><br>+2.5/3.3 V supply for digital I/O circuits. The digital input circuits running off of this rail, having a TTL-level threshold and over-voltage protection, may be interfaced with 3.3/5.0 V, when the IO supply is 3.3 V, and 2.5/3.3/5.0 V when 2.5 V. |
| L5,<br>L13                       | 98,<br>164                      | VCCPECL | –    | <b>Digital Power Supply - PECL Signal Detect Inputs.</b><br>+2.5/3.3 V supply for PECL Signal Detect input circuits. If Fiber Mode is not used (that is, G_FX/TP_L is pulled Low), the VCCPECL pins may be tied to GNDPECL to save power.  |

1. Type Column Coding: I = Input, O = Output, OD = Open Drain output, ST = Schmitt Triggered input, TS = Three-State-able output, SL = Slew-rate Limited output, IP = weak Internal Pull-up, ID = weak Internal pull-Down.

**Table 34 Power Supply Signal Descriptions – BGA23 (Sheet 2 of 2)**

| Ball/Pin Designation   |   | Symbol  | Type | Signal Description  |
|--|---|---------|------|---|
| BGA23  | PQFP  |         |      |   |
| N13, P4,<br>P7, P8,<br>P9, P10,<br>P11, P12  | 103, 116,<br>117, 130,<br>131, 144,<br>145, 158   | VCCR    | –    | <b>Analog Power Supply - Receive.</b><br>+2.5 V supply for all analog receive circuits.   |
| N6, N7,<br>N9, N11,<br>N12   | 109, 123,<br>138, 152                             | VCCT    | –    | <b>Analog Power Supply - Transmit.</b><br>+2.5 V supply for all analog transmit circuits.   |
| A1, A9,<br>B3, B7,<br>C5, C13,<br>C17, D1,<br>D3, D6,<br>D10, D15,<br>E5, E7,<br>E9, E11,<br>E13, E17,<br>F13, H8,<br>H9, H10,<br>J8, J9,<br>J10, K8,<br>K9, K10   | 66, 79,<br>183, 195                               | GNDD    | –    | <b>Digital Ground.</b><br>Ground return for core digital supplies (VCCD). All ground pins can be tied together using a single ground plane.     |
| –  | 9, 19, 30,<br>38, 48, 57,<br>74, 188,<br>199, 207 | GNDIO   | –    | <b>Digital GND - I/O Ring.</b><br>Ground return for digital I/O circuits (VCCIO).   |
| M5, M13  | 99, 163   | GNDPECL | –    | <b>Digital GND - PECL Signal Detect Inputs.</b><br>Ground return for PECL Signal Detect input circuits.   |
| P5, P6,<br>P13, R7,<br>R9, R11,<br>R13, U8   | 106, 112,<br>120, 126,<br>135, 141,<br>149, 155   | GNDR    | –    | <b>Analog Ground - Receive.</b><br>Ground return for receive analog supply. All ground pins can be tied together using a single ground plane.   |
| P14, R1,<br>R3, R5,<br>R15, R17,<br>T17, U2,<br>U4, U6,<br>U10, U12,<br>U14, U16,<br>U17   | 113, 127,<br>134, 148                             | GNDR    | –    | <b>Analog Ground - Transmit.</b><br>Ground return for transmit analog supply. All ground pins can be tied together using a single ground plane. |
| K14  | 179   | SGND    | –    | <b>Substrate Ground.</b><br>Ground for chip substrate. All ground pins can be tied together using a single ground plane.                        |
| 1. Type Column Coding: I = Input, O = Output, OD = Open Drain output, ST = Schmitt Triggered input, TS = Three-State-able output, SL = Slew-rate Limited output, IP = weak Internal Pull-up, ID = weak Internal pull-Down. |   |         |      |   |

**Table 35 Unused/Reserved Pins – BGA23**

| Pin/Ball Designation   |      | Symbol | Type <sup>1</sup> | Signal Description |
|--|------|--------|-------------------|--------------------|
| BGA23  | PQFP |        |                   |                    |
| <b>RMII - No Connection</b>  |      |        |                   |                    |
| F15, G2, G5, G14, G16, H4, H14, J2, J13, K4, K15   | NC   | NC     | –                 | No Connection.     |
| <b>SMII - No Connection</b>  |      |        |                   |                    |
| A4, A5, A7, A14, A16, B1, B2, B4, B8, B9, B11, B12, B15, B16, B17, C4, C6, C7, C8, C10, C12, C14, D4, D11, D12, D16, D17, E3, E4, E15, F4, F14, F15, G2, G5, G14, G16, H4, H14, J2, J13, K4, K15                           | NC   | NC     | –                 | No Connection      |
| <b>SS-SMII - No Connection</b>   |      |        |                   |                    |
| A3, A4, A5, A7, A13, A14, A16, B2, B6, B8, B14, B16, C2, C4, C6, C10, C14, C15, D4, D9, D11, D12, D16, E15, E16, F4, F15, G2, G5, G14, G16, H4, H14, J2, J13, K4, K15  | NC   | NC     | –                 | No Connection      |
| 1. Type Column Coding: I = Input, O = Output, OD = Open Drain output, ST = Schmitt Triggered input, TS = Three-State-able output, SL = Slew-rate Limited output, IP = weak Internal Pull-up, ID = weak Internal pull-Down. |      |        |                   |                    |

**Table 36** Receive FIFO Depth Configurations

| FIFOSEL1 | FIFOSELO | Register 18.15 Value | Register 18.14 Value |
|----------|----------|----------------------|----------------------|
| 0        | 0        | 1                    | 0                    |
| 0        | 1        | 1                    | 1                    |
| 1        | 0        | 0                    | 0                    |
| 1        | 1        | 0                    | 1                    |



### 3.5 BGA15 Ball Assignments

The following figure and tables provide the BGA15 ball locations and signal names arranged in alphanumeric order as follows:

- Figure 6, *196-Ball BGA15 Assignments (Top View)*
- Table 37, *LXT9785MBC BGA15 Ball List in Alphanumeric Order by Signal Name*, on page 98
- Table 38, *LXT9785MBC BGA15 Ball List in Alphanumeric Order by Ball Location (SMII/SS-SMII)*, on page 102

**Figure 6** 196-Ball BGA15 Assignments (Top View)

|   | 1  | 2  | 3  | 4  | 5  | 6  | 7  | 8  | 9  | 10  | 11  | 12  | 13  | 14  |   |
|---|----|----|----|----|----|----|----|----|----|-----|-----|-----|-----|-----|---|
| A | A1 | A2 | A3 | A4 | A5 | A6 | A7 | A8 | A9 | A10 | A11 | A12 | A13 | A14 | A |
| B | B1 | B2 | B3 | B4 | B5 | B6 | B7 | B8 | B9 | B10 | B11 | B12 | B13 | B14 | B |
| C | C1 | C2 | C3 | C4 | C5 | C6 | C7 | C8 | C9 | C10 | C11 | C12 | C13 | C14 | C |
| D | D1 | D2 | D3 | D4 | D5 | D6 | D7 | D8 | D9 | D10 | D11 | D12 | D13 | D14 | D |
| E | E1 | E2 | E3 | E4 | E5 | E6 | E7 | E8 | E9 | E10 | E11 | E12 | E13 | E14 | E |
| F | F1 | F2 | F3 | F4 | F5 | F6 | F7 | F8 | F9 | F10 | F11 | F12 | F13 | F14 | F |
| G | G1 | G2 | G3 | G4 | G5 | G6 | G7 | G8 | G9 | G10 | G11 | G12 | G13 | G14 | G |
| H | H1 | H2 | H3 | H4 | H5 | H6 | H7 | H8 | H9 | H10 | H11 | H12 | H13 | H14 | H |
| J | J1 | J2 | J3 | J4 | J5 | J6 | J7 | J8 | J9 | J10 | J11 | J12 | J13 | J14 | J |
| K | K1 | K2 | K3 | K4 | K5 | K6 | K7 | K8 | K9 | K10 | K11 | K12 | K13 | K14 | K |
| L | L1 | L2 | L3 | L4 | L5 | L6 | L7 | L8 | L9 | L10 | L11 | L12 | L13 | L14 | L |
| M | M1 | M2 | M3 | M4 | M5 | M6 | M7 | M8 | M9 | M10 | M11 | M12 | M13 | M14 | M |
| N | N1 | N2 | N3 | N4 | N5 | N6 | N7 | N8 | N9 | N10 | N11 | N12 | N13 | N14 | N |
| P | P1 | P2 | P3 | P4 | P5 | P6 | P7 | P8 | P9 | P10 | P11 | P12 | P13 | P14 | P |
|   | 1  | 2  | 3  | 4  | 5  | 6  | 7  | 8  | 9  | 10  | 11  | 12  | 13  | 14  |   |

B1532-01

### 3.5.1 BGA15 Ball List

The following tables provide the RMII BGA23 ball locations and signal names arranged in alphanumeric order as follows:

- Table 37, *LXT9785MBC BGA15 Ball List in Alphanumeric Order by Signal Name*, on page 98
- Table 38, *LXT9785MBC BGA15 Ball List in Alphanumeric Order by Ball Location (SMII/SS-SMII)*, on page 102

**Table 37 LXT9785MBC BGA15 Ball List in Alphanumeric Order by Signal Name**

| Signal Name | Ball | Type      | Reference for Full Description | Signal Name | Ball | Type      | Reference for Full Description |
|-------------|------|-----------|--------------------------------|-------------|------|-----------|--------------------------------|
| ADD_3       | P10  | I, ST, ID | Table 39                       | CFG_2       | L9   | I, ST, ID | Table 39                       |
| ADD_4       | N10  | I, ST, ID | Table 39                       | CFG_3       | M9   | I, ST, ID | Table 39                       |
| AMDIX_EN    | K8   | I, ST, IP | Table 39                       | FIFOSEL0    | F1   | I, ID     | Table 39                       |
| AVCC        | D12  | –         | Table 39                       | FIFOSEL1    | C1   | I, ID     | Table 39                       |
| AVCC        | E12  | –         | Table 39                       | GNDD        | A1   | –         | Table 39                       |
| AVCC        | F12  | –         | Table 39                       | GNDD        | A2   | –         | Table 39                       |
| AVCC        | G12  | –         | Table 39                       | GNDD        | A3   | –         | Table 39                       |
| AVCC        | H12  | –         | Table 39                       | GNDD        | B1   | –         | Table 39                       |
| AVCC        | J12  | –         | Table 39                       | GNDD        | B2   | –         | Table 39                       |
| AVCC        | K12  | –         | Table 39                       | GNDD        | B5   | –         | Table 39                       |
| AVCC        | L12  | –         | Table 39                       | GNDD        | B10  | –         | Table 39                       |
| AVSS        | E11  | –         | Table 39                       | GNDD        | D9   | –         | Table 39                       |
| AVSS        | F9   | –         | Table 39                       | GNDD        | D11  | –         | Table 39                       |
| AVSS        | F10  | –         | Table 39                       | GNDD        | E5   | –         | Table 39                       |
| AVSS        | F11  | –         | Table 39                       | GNDD        | E6   | –         | Table 39                       |
| AVSS        | G9   | –         | Table 39                       | GNDD        | E9   | –         | Table 39                       |
| AVSS        | G10  | –         | Table 39                       | GNDD        | E10  | –         | Table 39                       |
| AVSS        | G11  | –         | Table 39                       | GNDD        | F5   | –         | Table 39                       |
| AVSS        | H9   | –         | Table 39                       | GNDD        | F6   | –         | Table 39                       |
| AVSS        | H10  | –         | Table 39                       | GNDD        | F7   | –         | Table 39                       |
| AVSS        | H11  | –         | Table 39                       | GNDD        | F8   | –         | Table 39                       |
| AVSS        | J9   | –         | Table 39                       | GNDD        | G4   | –         | Table 39                       |
| AVSS        | J10  | –         | Table 39                       | GNDD        | G6   | –         | Table 39                       |
| AVSS        | J11  | –         | Table 39                       | GNDD        | G7   | –         | Table 39                       |
| AVSS        | K11  | –         | Table 39                       | GNDD        | G8   | –         | Table 39                       |
| AVSS        | L11  | –         | Table 39                       | GNDD        | H6   | –         | Table 39                       |
| CFG_1       | M10  | I, ST, ID | Table 39                       | GNDD        | H7   | –         | Table 39                       |
|             |      |           |                                | GNDD        | H8   | –         | Table 39                       |
|             |      |           |                                | GNDD        | J5   | –         | Table 39                       |

| Signal Name | Ball | Type           | Reference for Full Description |
|-------------|------|----------------|--------------------------------|
| GNDD        | J6   | –              | Table 39                       |
| GNDD        | J7   | –              | Table 39                       |
| GNDD        | J8   | –              | Table 39                       |
| GNDD        | K5   | –              | Table 39                       |
| GNDD        | K6   | –              | Table 39                       |
| GNDD        | K9   | –              | Table 39                       |
| GNDD        | K10  | –              | Table 39                       |
| GNDD        | L2   | –              | Table 39                       |
| GNDD        | N1   | –              | Table 39                       |
| GNDD        | N11  | –              | Table 39                       |
| GNDD        | P1   | –              | Table 39                       |
| GNDD        | P11  | –              | Table 39                       |
| LED0_1_L    | N9   | OD, TS, SL, IP | Table 39                       |
| LED0_2_L    | P9   | OD, TS, SL, IP | Table 39                       |
| LED0_3_L    | M8   | OD, TS, SL, IP | Table 39                       |
| LED1_1_L    | N8   | OD, TS, SL, IP | Table 39                       |
| LED1_2_L    | P8   | OD, TS, SL, IP | Table 39                       |
| LED1_3_L    | L8   | OD, TS, SL, IP | Table 39                       |
| LED2_1_L    | P7   | OD, TS, SL, IP | Table 39                       |
| LED2_2_L    | N7   | OD, TS, SL, IP | Table 39                       |
| LED2_3_L    | M7   | OD, TS, SL, IP | Table 39                       |
| LED3_1_L    | P6   | OD, TS, SL, IP | Table 39                       |
| LED3_2_L    | N6   | OD, TS, SL, IP | Table 39                       |
| LED3_3_L    | M6   | OD, TS, SL, IP | Table 39                       |

| Signal Name | Ball | Type           | Reference for Full Description |
|-------------|------|----------------|--------------------------------|
| LED4_1_L    | B9   | OD, TS, SL, IP | Table 39                       |
| LED4_2_L    | A9   | OD, TS, SL, IP | Table 39                       |
| LED4_3_L    | D8   | OD, TS, SL, IP | Table 39                       |
| LED5_1_L    | B8   | OD, TS, SL, IP | Table 39                       |
| LED5_2_L    | A8   | OD, TS, SL, IP | Table 39                       |
| LED5_3_L    | C7   | OD, TS, SL, IP | Table 39                       |
| LED6_1_L    | A7   | OD, TS, SL, IP | Table 39                       |
| LED6_2_L    | B7   | OD, TS, SL, IP | Table 39                       |
| LED6_3_L    | D6   | OD, TS, SL, IP | Table 39                       |
| LED7_1_L    | B6   | OD, TS, SL, IP | Table 39                       |
| LED7_2_L    | A6   | OD, TS, SL, IP | Table 39                       |
| LED7_3_L    | D5   | OD, TS, SL, IP | Table 39                       |
| LINKHOLD    | B3   | ID             | Table 39                       |
| MDC         | P4   | I, ST, ID      | Table 39                       |
| MDINT_L     | P5   | OD, TS, SL, IP | Table 39                       |
| MDIO        | N5   | IO, TS, SL, IP | Table 39                       |
| ModeSel_0   | C9   | I, ST, ID      | Table 39                       |
| ModeSel_1   | E8   | I, ST, ID      | Table 39                       |
| NC          | C4   | –              | Table 39                       |

| Signal Name | Ball | Type      | Reference for Full Description |
|-------------|------|-----------|--------------------------------|
| NC          | D1   | –         | Table 39                       |
| NC          | D2   | –         | Table 39                       |
| NC          | D10  | –         | Table 39                       |
| NC          | E4   | –         | Table 39                       |
| NC          | E7   | –         | Table 39                       |
| NC          | G2   | –         | Table 39                       |
| NC          | G5   | –         | Table 39                       |
| NC          | H1   | –         | Table 39                       |
| NC          | H5   | –         | Table 39                       |
| NC          | J4   | –         | Table 39                       |
| NC          | K4   | –         | Table 39                       |
| NC          | K7   | –         | Table 39                       |
| NC          | L1   | –         | Table 39                       |
| NC          | L6   | –         | Table 39                       |
| NC          | L10  | –         | Table 39                       |
| NC          | M4   | –         | Table 39                       |
| NC          | M5   | –         | Table 39                       |
| NC          | P2   | –         | Table 39                       |
| NC          | P3   | –         | Table 39                       |
| REFCLK0     | L4   | I         | Table 39                       |
| REFCLK1     | C3   | I         | Table 39                       |
| RESET_L     | C10  | I, ST, IP | Table 39                       |
| RXCLK       | G1   | O, TS, ID | Table 39                       |
| RxData0_S   | N3   | O, TS     | Table 39                       |
| RxData0_S_S | M3   | O, TS, ID | Table 39                       |
| RxData1_S   | M2   | O, TS     | Table 39                       |
| RxData1_S_S | M1   | O, TS, ID | Table 39                       |
| RxData2_S   | K2   | O, TS     | Table 39                       |
| RxData2_S_S | J2   | O, TS, ID | Table 39                       |
| RxData3_S   | H3   | O, TS     | Table 39                       |
| RxData3_S_S | H2   | O, TS, ID | Table 39                       |
| RxData4_S   | F2   | O, TS     | Table 39                       |
| RxData4_S_S | F3   | O, TS, ID | Table 39                       |
| RxData5_S   | E3   | O, TS     | Table 39                       |

| Signal Name | Ball | Type      | Reference for Full Description |
|-------------|------|-----------|--------------------------------|
| RxData5_S_S | C2   | O, TS     | Table 39                       |
| RxData6_S   | B4   | O, TS     | Table 39                       |
| RxData6_S_S | A4   | O, TS, ID | Table 39                       |
| RxData7_S   | C5   | O, TS     | Table 39                       |
| RxData7_S_S | C6   | O, TS, ID | Table 39                       |
| RxSYNC      | E1   | O, TS, ID | Table 39                       |
| SGND        | C8   | –         | Table 39                       |
| SYNC/TXSYNC | K1   | I, ID     | Table 39                       |
| TCK         | A11  | I, ST, ID | Table 39                       |
| TDI         | C12  | I, ST, IP | Table 39                       |
| TDO         | C11  | O, TS     | Table 39                       |
| TMS         | B11  | I, ST, IP | Table 39                       |
| TPIN0       | N12  | AI/AO     | Table 39                       |
| TPIN1       | M13  | AI/AO     | Table 39                       |
| TPIN2       | L14  | AI/AO     | Table 39                       |
| TPIN3       | H13  | AI/AO     | Table 39                       |
| TPIN4       | G13  | AI/AO     | Table 39                       |
| TPIN5       | D14  | AI/AO     | Table 39                       |
| TPIN6       | C13  | AI/AO     | Table 39                       |
| TPIN7       | B12  | AI/AO     | Table 39                       |
| TPIP0       | P12  | AI/AO     | Table 39                       |
| TPIP1       | M14  | AI/AO     | Table 39                       |
| TPIP2       | L13  | AI/AO     | Table 39                       |
| TPIP3       | H14  | AI/AO     | Table 39                       |
| TPIP4       | G14  | AI/AO     | Table 39                       |
| TPIP5       | D13  | AI/AO     | Table 39                       |
| TPIP6       | C14  | AI/AO     | Table 39                       |
| TPIP7       | A12  | AI/AO     | Table 39                       |
| TPON0       | N13  | AO/AI     | Table 39                       |
| TPON1       | P14  | AO/AI     | Table 39                       |
| TPON2       | K14  | AO/AI     | Table 39                       |
| TPON3       | J13  | AO/AI     | Table 39                       |
| TPON4       | F13  | AO/AI     | Table 39                       |

| Signal Name | Ball | Type      | Reference for Full Description |
|-------------|------|-----------|--------------------------------|
| TPON5       | E14  | AO/AI     | <a href="#">Table 39</a>       |
| TPON6       | A14  | AO/AI     | <a href="#">Table 39</a>       |
| TPON7       | B13  | AO/AI     | <a href="#">Table 39</a>       |
| TPOP0       | P13  | AO/AI     | <a href="#">Table 39</a>       |
| TPOP1       | N14  | AO/AI     | <a href="#">Table 39</a>       |
| TPOP2       | K13  | AO/AI     | <a href="#">Table 39</a>       |
| TPOP3       | J14  | AO/AI     | <a href="#">Table 39</a>       |
| TPOP4       | F14  | AO, AI    | <a href="#">Table 39</a>       |
| TPOP5       | E13  | AO/AI     | <a href="#">Table 39</a>       |
| TPOP6       | B14  | AO/AI     | <a href="#">Table 39</a>       |
| TPOP7       | A13  | AO/AI     | <a href="#">Table 39</a>       |
| TRST_L      | A10  | I, ST, IP | <a href="#">Table 39</a>       |
| TXCLK       | J3   | I, ID     | <a href="#">Table 39</a>       |
| TxData0     | N4   | I, ID     | <a href="#">Table 39</a>       |
| TxData1     | N2   | I, ID     | <a href="#">Table 39</a>       |
| TxData2     | K3   | I, ID     | <a href="#">Table 39</a>       |
| TxData3     | J1   | I, ID     | <a href="#">Table 39</a>       |
| TxData4     | G3   | I, ID     | <a href="#">Table 39</a>       |
| TxData5     | E2   | I, ID     | <a href="#">Table 39</a>       |
| TxData6     | D3   | I, ID     | <a href="#">Table 39</a>       |
| TxData7     | A5   | I, ID     | <a href="#">Table 39</a>       |
| TXSLEW_0    | M11  | I, ST, ID | <a href="#">Table 39</a>       |
| TXSLEW_1    | M12  | I, ST, ID | <a href="#">Table 39</a>       |
| VCCD        | D7   | –         | <a href="#">Table 39</a>       |
| VCCD        | L7   | –         | <a href="#">Table 39</a>       |
| VCCIO       | D4   | –         | <a href="#">Table 39</a>       |
| VCCIO       | F4   | –         | <a href="#">Table 39</a>       |
| VCCIO       | H4   | –         | <a href="#">Table 39</a>       |
| VCCIO       | L3   | –         | <a href="#">Table 39</a>       |
| VCCIO       | L5   | –         | <a href="#">Table 39</a>       |

Table 38 shows the ball locations and signal names arranged in order by ball location.

**Table 38** LXT9785MBC BGA15 Ball List in Alphanumeric Order by Ball Location (SMII / SS-SMII)

| Ball | Signal Name | Type           | Reference for Full Description | Ball | Signal Name | Type           | Reference for Full Description |
|------|-------------|----------------|--------------------------------|------|-------------|----------------|--------------------------------|
| A1   | GNDD        | –              | Table 39                       | B11  | TMS         | I, ST, IP      | Table 39                       |
| A2   | GNDD        | –              | Table 39                       | B12  | TPIN7       | AI/AO          | Table 39                       |
| A3   | GNDD        | –              | Table 39                       | B13  | TPON7       | AO/AI          | Table 39                       |
| A4   | RxData6_SS  | O, TS, ID      | Table 39                       | B14  | TPOP6       | AO/AI          | Table 39                       |
| A5   | TxData7     | I, ID          | Table 39                       | C1   | FIFOSEL1    | I, ID          | Table 39                       |
| A6   | LED7_2_L    | OD, TS, SL, IP | Table 39                       | C2   | RxData5_SS  | O, TS, ID      | Table 39                       |
| A7   | LED6_1_L    | OD, TS, SL, IP | Table 39                       | C3   | REFCLK1     | I              | Table 39                       |
| A8   | LED5_2_L    | OD, TS, SL, IP | Table 39                       | C4   | NC          | –              | Table 39                       |
| A9   | LED4_2_L    | OD, TS, SL, IP | Table 39                       | C5   | RxData7_S   | O, TS          | Table 39                       |
| A10  | TRST_L      | I, ST, IP      | Table 39                       | C6   | RxData7_SS  | O, TS, ID      | Table 39                       |
| A11  | TCK         | I, ST, ID      | Table 39                       | C7   | LED5_3_L    | OD, TS, SL, IP | Table 39                       |
| A12  | TPIP7       | AI/AO          | Table 39                       | C8   | SGND        | –              | Table 39                       |
| A13  | TPOP7       | AO/AI          | Table 39                       | C9   | ModeSel_0   | I, ST, ID      | Table 39                       |
| A14  | TPON6       | AO/AI          | Table 39                       | C10  | RESET_L     | I, ST, IP      | Table 39                       |
| B1   | GNDD        | –              | Table 39                       | C11  | TDO         | O, TS          | Table 39                       |
| B2   | GNDD        | –              | Table 39                       | C12  | TDI         | I, ST, IP      | Table 39                       |
| B3   | LINKHOLD    | ID             | Table 39                       | C13  | TPIN6       | AI/AO          | Table 39                       |
| B4   | RxData6_S   | O, TS          | Table 39                       | C14  | TPIP6       | AI/AO          | Table 39                       |
| B5   | GNDD        | –              | Table 39                       | D1   | NC          | –              | Table 39                       |
| B6   | LED7_1_L    | OD, TS, SL, IP | Table 39                       | D2   | NC          | –              | Table 39                       |
| B7   | LED6_2_L    | OD, TS, SL, IP | Table 39                       | D3   | TxData6     | I, ID          | Table 39                       |
| B8   | LED5_1_L    | OD, TS, SL, IP | Table 39                       | D4   | VCCIO       | –              | Table 39                       |
| B9   | LED4_1_L    | OD, TS, SL, IP | Table 39                       | D5   | LED7_3_L    | OD, TS, SL, IP | Table 39                       |
| B10  | GNDD        | –              | Table 39                       | D6   | LED6_3_L    | OD, TS, SL, IP | Table 39                       |
|      |             |                |                                | D7   | VCCD        | –              | Table 39                       |
|      |             |                |                                | D8   | LED4_3_L    | OD, TS, SL, IP | Table 39                       |
|      |             |                |                                | D9   | GNDD        | –              | Table 39                       |

| Ball | Signal Name | Type         | Reference for Full Description |
|------|-------------|--------------|--------------------------------|
| D10  | NC          | –            | Table 39                       |
| D11  | GNDD        | –            | Table 39                       |
| D12  | AVCC        | –            | Table 39                       |
| D13  | TPIP5       | AI/AO        | Table 39                       |
| D14  | TPIN5       | AI/AO        | Table 39                       |
| E1   | RxSYNC      | O,<br>TS, ID | Table 39                       |
| E2   | TxData5     | I, ID        | Table 39                       |
| E3   | RxData5_S   | O, TS        | Table 39                       |
| E4   | NC          | –            | Table 39                       |
| E5   | GNDD        | –            | Table 39                       |
| E6   | GNDD        | –            | Table 39                       |
| E7   | NC          | –            | Table 39                       |
| E8   | ModeSel_1   | I, ST,<br>ID | Table 39                       |
| E9   | GNDD        | –            | Table 39                       |
| E10  | GNDD        | –            | Table 39                       |
| E11  | AVSS        | –            | Table 39                       |
| E12  | AVCC        | –            | Table 39                       |
| E13  | TPOP5       | AO/AI        | Table 39                       |
| E14  | TPON5       | AO/AI        | Table 39                       |
| F1   | FIFOSEL0    | I, ID        | Table 39                       |
| F2   | RxData4_S   | O, TS        | Table 39                       |
| F3   | RxData4_SS  | O,<br>TS, ID | Table 39                       |
| F4   | VCCIO       | –            | Table 39                       |
| F5   | GNDD        | –            | Table 39                       |
| F6   | GNDD        | –            | Table 39                       |
| F7   | GNDD        | –            | Table 39                       |
| F8   | GNDD        | –            | Table 39                       |
| F9   | AVSS        | –            | Table 39                       |
| F10  | AVSS        | –            | Table 39                       |
| F11  | AVSS        | –            | Table 39                       |
| F12  | AVCC        | –            | Table 39                       |
| F13  | TPON4       | AO/AI        | Table 39                       |
| F14  | TPOP4       | AO,<br>AI    | Table 39                       |
| G1   | RXCLK       | O,<br>TS, ID | Table 39                       |
| G2   | NC          | –            | Table 39                       |

| Ball | Signal Name | Type         | Reference for Full Description |
|------|-------------|--------------|--------------------------------|
| G3   | TxData4     | I, ID        | Table 39                       |
| G4   | GNDD        | –            | Table 39                       |
| G5   | NC          | –            | Table 39                       |
| G6   | GNDD        | –            | Table 39                       |
| G7   | GNDD        | –            | Table 39                       |
| G8   | GNDD        | –            | Table 39                       |
| G9   | AVSS        | –            | Table 39                       |
| G10  | AVSS        | –            | Table 39                       |
| G11  | AVSS        | –            | Table 39                       |
| G12  | AVCC        | –            | Table 39                       |
| G13  | TPIN4       | AI/AO        | Table 39                       |
| G14  | TPIP4       | AI/AO        | Table 39                       |
| H1   | NC          | –            | Table 39                       |
| H2   | RxData3_SS  | O,<br>TS, ID | Table 39                       |
| H3   | RxData3_S   | O, TS        | Table 39                       |
| H4   | VCCIO       | –            | Table 39                       |
| H5   | NC          | –            | Table 39                       |
| H6   | GNDD        | –            | Table 39                       |
| H7   | GNDD        | –            | Table 39                       |
| H8   | GNDD        | –            | Table 39                       |
| H9   | AVSS        | –            | Table 39                       |
| H10  | AVSS        | –            | Table 39                       |
| H11  | AVSS        | –            | Table 39                       |
| H12  | AVCC        | –            | Table 39                       |
| H13  | TPIN3       | AI/AO        | Table 39                       |
| H14  | TPIP3       | AI/AO        | Table 39                       |
| J1   | TxData3     | I, ID        | Table 39                       |
| J2   | RxData2_SS  | O,<br>TS, ID | Table 39                       |
| J3   | TXCLK       | I, ID        | Table 39                       |
| J4   | NC          | –            | Table 39                       |
| J5   | GNDD        | –            | Table 39                       |
| J6   | GNDD        | –            | Table 39                       |
| J7   | GNDD        | –            | Table 39                       |
| J8   | GNDD        | –            | Table 39                       |
| J9   | AVSS        | –            | Table 39                       |
| J10  | AVSS        | –            | Table 39                       |
| J11  | AVSS        | –            | Table 39                       |

| Ball | Signal Name     | Type                 | Reference for Full Description |
|------|-----------------|----------------------|--------------------------------|
| J12  | AVCC            | –                    | Table 39                       |
| J13  | TPON3           | AO/AI                | Table 39                       |
| J14  | TPOP3           | AO/AI                | Table 39                       |
| K1   | SYNC/<br>TXSYNC | I, ID                | Table 39                       |
| K2   | RxData2_S       | O, TS                | Table 39                       |
| K3   | TxData2         | I, ID                | Table 39                       |
| K4   | NC              | –                    | Table 39                       |
| K5   | GNDD            | –                    | Table 39                       |
| K6   | GNDD            | –                    | Table 39                       |
| K7   | NC              | –                    | Table 39                       |
| K8   | AMDIX_EN        | I, ST,<br>IP         | Table 39                       |
| K9   | GNDD            | –                    | Table 39                       |
| K10  | GNDD            | –                    | Table 39                       |
| K11  | AVSS            | –                    | Table 39                       |
| K12  | AVCC            | –                    | Table 39                       |
| K13  | TPOP2           | AO/AI                | Table 39                       |
| K14  | TPON2           | AO/AI                | Table 39                       |
| L1   | NC              | –                    | Table 39                       |
| L2   | GNDD            | –                    | Table 39                       |
| L3   | VCCIO           | –                    | Table 39                       |
| L4   | REFCLK0         | I                    | Table 39                       |
| L5   | VCCIO           | –                    | Table 39                       |
| L6   | NC              | –                    | Table 39                       |
| L7   | VCCD            | –                    | Table 39                       |
| L8   | LED1_3_L        | OD,<br>TS,<br>SL, IP | Table 39                       |
| L9   | CFG_2           | I, ST,<br>ID         | Table 39                       |
| L10  | NC              | –                    | Table 39                       |
| L11  | AVSS            | –                    | Table 39                       |
| L12  | AVCC            | –                    | Table 39                       |
| L13  | TPIP2           | AI/AO                | Table 39                       |
| L14  | TPIN2           | AI/AO                | Table 39                       |
| M1   | RxData1_SS      | O,<br>TS, ID         | Table 39                       |
| M2   | RxData1_S       | O, TS                | Table 39                       |
| M3   | RxData0_SS      | O,<br>TS, ID         | Table 39                       |

| Ball | Signal Name | Type                 | Reference for Full Description |
|------|-------------|----------------------|--------------------------------|
| M4   | NC          | –                    | Table 39                       |
| M5   | NC          | –                    | Table 39                       |
| M6   | LED3_3_L    | OD,<br>TS,<br>SL, IP | Table 39                       |
| M7   | LED2_3_L    | OD,<br>TS,<br>SL, IP | Table 39                       |
| M8   | LED0_3_L    | OD,<br>TS,<br>SL, IP | Table 39                       |
| M9   | CFG_3       | I, ST,<br>ID         | Table 39                       |
| M10  | CFG_1       | I, ST,<br>ID         | Table 39                       |
| M11  | TXSLEW_0    | I, ST,<br>ID         | Table 39                       |
| M12  | TXSLEW_1    | I, ST,<br>ID         | Table 39                       |
| M13  | TPIN1       | AI/AO                | Table 39                       |
| M14  | TPIP1       | AI/AO                | Table 39                       |
| N1   | GNDD        | –                    | Table 39                       |
| N2   | TxData1     | I, ID                | Table 39                       |
| N3   | RxData0_S   | O, TS                | Table 39                       |
| N4   | TxData0     | I, ID                | Table 39                       |
| N5   | MDIO        | IO,<br>TS,<br>SL, IP | Table 39                       |
| N6   | LED3_2_L    | OD,<br>TS,<br>SL, IP | Table 39                       |
| N7   | LED2_2_L    | OD,<br>TS,<br>SL, IP | Table 39                       |
| N8   | LED1_1_L    | OD,<br>TS,<br>SL, IP | Table 39                       |
| N9   | LED0_1_L    | OD,<br>TS,<br>SL, IP | Table 39                       |
| N10  | ADD_4       | I, ST,<br>ID         | Table 39                       |
| N11  | GNDD        | –                    | Table 39                       |
| N12  | TPIN0       | AI/AO                | Table 39                       |
| N13  | TPON0       | AO/AI                | Table 39                       |
| N14  | TPOP1       | AO/AI                | Table 39                       |



| Ball | Signal Name | Type           | Reference for Full Description |
|------|-------------|----------------|--------------------------------|
| P1   | GNDD        | –              | Table 39                       |
| P2   | NC          | –              | Table 39                       |
| P3   | NC          | –              | Table 39                       |
| P4   | MDC         | I, ST, ID      | Table 39                       |
| P5   | MDINT_L     | OD, TS, SL, IP | Table 39                       |
| P6   | LED3_1_L    | OD, TS, SL, IP | Table 39                       |
| P7   | LED2_1_L    | OD, TS, SL, IP | Table 39                       |
| P8   | LED1_2_L    | OD, TS, SL, IP | Table 39                       |
| P9   | LED0_2_L    | OD, TS, SL, IP | Table 39                       |
| P10  | ADD_3       | I, ST, ID      | Table 39                       |
| P11  | GNDD        | –              | Table 39                       |
| P12  | TPIP0       | AI/AO          | Table 39                       |
| P13  | TPOP0       | AO/AI          | Table 39                       |
| P14  | TPON1       | AO/AI          | Table 39                       |

## 3.6 BGA15 Signal Descriptions

### 3.6.1 Signal Name Conventions

Signal names may contain either a port designation or a serial designation, or a combination of the two designations. Signal naming conventions are as follows:

- **Port Number Only.** Individual signals that apply to a particular port are designated by the Signal Mnemonic, immediately followed by the Port Designation. For example, Transmit Enable signals would be identified as TxEN0, TxEN1, and TxEN2.
- **Serial Number Only.** A set of signals which are not tied to any specific port are designated by the Signal Mnemonic, followed by an underscore and a serial designation. For example, a set of three Global Configuration signals would be identified as CFG\_1, CFG\_2, and CFG\_3.
- **Port and Serial Number.** In cases where each port is assigned a set of multiple signals, each signal is designated in the following order: Signal Mnemonic, Port Designation, an underscore, and the serial designation. For example, a set of three Port Configuration signals would be identified as RxData0\_0 and RxData0\_1, RxData1\_0 and RxData1\_1, and RxData2\_0 and RxData2\_1.

### 3.6.2 Signal Descriptions – SMII and SS-SMII Configurations

Table 39 provides the BGA15 signal descriptions.

**Table 39 BGA15 Signal Descriptions (Sheet 1 of 7)**

| Symbol  | BGA15 Ball Designation                              | Type  | Signal Description  |
|---|---|-------|---|
| <b>SMII/SS-SMII Common Signal Descriptions</b>  |   |       |   |
| TxData0<br>TxData1<br>TxData2<br>TxData3<br>TxData4<br>TxData5<br>TxData6<br>TxData7  | N4,<br>N2,<br>K3,<br>J1,<br>G3,<br>E2,<br>D3,<br>A5 | I, ID | <b>Transmit Data - Ports 0-7.</b><br>These serial input streams provide data to be transmitted to the network. The LXT9785/LXT9785E clocks the data in synchronously to REFCLK.                                 |
| REFCLK1<br>REFCLK0  | C3<br>L4  | I     | <b>Reference Clock.</b><br>The LXT9785/LXT9785E always requires a 125 MHz reference clock input. Refer to <a href="#">Section 4.4.2, Clock/SYNC Requirements</a> , on page 122 for detailed clock requirements. |
| <b>SMII Specific Signal Descriptions</b>  |   |       |   |
| SYNC  | K1  | I, ID | <b>SMII Synchronization.</b><br>The MAC must generate a SYNC pulse every 10 REFCLK cycles to synchronize the SMII.  |
| 1. Type Column Coding: I = Input, O = Output, OD = Open Drain output, ST = Schmitt Triggered input, TS = Three-State-able output, SL = Slew-rate Limited output, IP = weak Internal Pull-up, ID = weak Internal pull-Down.<br>2. Switched to TPIP/N Inputs when MDIX is not active (twisted-pair, non-crossover MDI mode).<br>3. Switched to TPOP/N Outputs when MDIX is not active (twisted-pair, non-crossover MDI mode). |   |       |   |

**Table 39 BGA15 Signal Descriptions (Sheet 2 of 7)**

| Symbol  | BGA15 Ball Designation                              | Type                 | Signal Description   |
|---|---|----------------------|--|
| RxData0_S<br>RxData1_S<br>RxData2_S<br>RxData3_S<br>RxData4_S<br>RxData5_S<br>RxData6_S<br>RxData7_S  | N3,<br>M2,<br>K2,<br>H3,<br>F2,<br>E3,<br>B4,<br>C5 | O, TS                | <b>Receive Data - Ports 0-7.</b><br>These serial output streams provide data received from the network. The LXT9785/LXT9785E drives the data out synchronously to REFCLK.            |
| <b>SS-SMII Specific Signal Descriptions</b>   |   |                      |  |
| TxSYNC  | K1  | I, ID                | <b>SS-SMII Transmit Synchronization.</b><br>The MAC must generate a TxSYNC pulse every 10 TxCLK cycles to mark the start of TxData segments.   |
| RxSYNC  | E1  | O, TS,<br>ID         | <b>SS-SMII Receive Synchronization.</b><br>The LXT9785/LXT9785E generates these pulses every 10 RxCLK cycles to mark the start of RxData segments for the MAC.                       |
| TxCLK   | J3  | I, ID                | <b>SS-SMII Transmit Clock.</b><br>The MAC sources this 125 MHz clock as the timing reference for TxData and TxSYNC.  |
| RxCLK   | G1  | O, TS,<br>ID         | <b>SS-SMII Receive Clock.</b><br>The LXT9785/LXT9785E generates these clocks, based on REFCLK, to provide a timing reference for RxData and RxSYNC to the MAC.                       |
| RxData0_SS<br>RxData1_SS<br>RxData2_SS<br>RxData3_SS<br>RxData4_SS<br>RxData5_SS<br>RxData6_SS<br>RxData7_SS  | M3,<br>M1,<br>J2,<br>H2,<br>F3,<br>C2,<br>A4,<br>C6 | O, TS,<br>ID         | <b>Receive Data - Ports 0-7.</b><br>These serial output streams provide data received from the network. The LXT9785/LXT9785E drives the data out synchronously to REFCLK.            |
| <b>MDIO Control Interface Signal Descriptions</b>   |   |                      |  |
| MDIO  | N5  | I/O, TS,<br>SL, IP   | <b>Management Data Input/Output.</b><br>Bidirectional serial data channel for communication between the PHY and MAC or switch ASIC. Refer to <a href="#">Figure 21 on page 136</a> . |
| MDINT_L   | P5  | OD, TS,<br>SL,<br>IP | <b>Management Data Interrupt.</b><br>When Register bit 18.1 = 1, an active Low output on this Pin indicates status change. Refer to <a href="#">Figure 21 on page 136</a> .          |
| <ol style="list-style-type: none"> <li>1. Type Column Coding: I = Input, O = Output, OD = Open Drain output, ST = Schmitt Triggered input, TS = Three-State-able output, SL = Slew-rate Limited output, IP = weak Internal Pull-up, ID = weak Internal pull-Down.</li> <li>2. Switched to TPIP/N Inputs when MDIX is not active (twisted-pair, non-crossover MDI mode).</li> <li>3. Switched to TPOP/N Outputs when MDIX is not active (twisted-pair, non-crossover MDI mode).</li> </ol> |   |                      |  |

**Table 39 BGA15 Signal Descriptions (Sheet 3 of 7)**

| Symbol  | BGA15 Ball Designation  | Type      | Signal Description   |
|---|---|-----------|--|
| MDC   | P4  | I, ST, ID | <b>Management Data Clock.</b><br>Clock for the MDIO serial data channel. Maximum frequency is 20 MHz. Only MDC0 is used when 1x8 port sectionalization is selected. In 2x4 port sectionalization mode, MDC0 clocks ports 0-3 register accesses and MDC1 clocks ports 4-7 register accesses. Refer to <a href="#">Figure 21 on page 136</a> . |
| <b>Network Interface Signal Description</b>   |   |           |  |
| TPO0, TPON0<br>TPO1, TPON1<br>TPO2, TPON2<br>TPO3, TPON3<br>TPO4, TPON4<br>TPO5, TPON5<br>TPO6, TPON6<br>TPO7, TPON7  | P13, N13,<br>N14, P14,<br>K13, K14,<br>J14, J13,<br>F14, F13,<br>E13, E14,<br>B14, A14,<br>A13, B13 | AO/AI     | <b>Twisted-Pair Outputs<sup>2</sup>, Positive &amp; Negative, Ports 0-7.</b><br>During 100BASE-TX or 10BASE-T operation, TPO pins drive 802.3 compliant pulses onto the line.  |
| TPI0, TPIN0<br>TPI1, TPIN1<br>TPI2, TPIN2<br>TPI3, TPIN3<br>TPI4, TPIN4<br>TPI5, TPIN5<br>TPI6, TPIN6<br>TPI7, TPIN7  | P12, N12,<br>M14, M13,<br>L13, L14,<br>H14, H13,<br>G14, G13,<br>D13, D14,<br>C14, C13,<br>A12, B12 | AI/AO     | <b>Twisted-Pair Inputs<sup>3</sup>, Positive &amp; Negative, Ports 0-7.</b><br>During 100BASE-TX or 10BASE-T operation, TPI pins receive differential 100BASE-TX or 10BASE-T signals from the line.  |
| <b>JTAG Test Signal Description</b>   |   |           |  |
| TDI   | C12   | I, ST, IP | <b>Test Data Input.</b><br>Test data sampled with respect to the rising edge of TCK.   |
| TDO   | C11   | O, TS     | <b>Test Data Output.</b><br>Test data driven with respect to the falling edge of TCK.  |
| TMS   | B11   | I, ST, IP | <b>Test Mode Select.</b>   |
| TCK   | A11   | I, ST, ID | <b>Test Clock.</b><br>Clock input for JTAG test.   |
| TRST_L  | A10   | I, ST, IP | <b>Test Reset.</b><br>Reset input for JTAG test.   |
| <b>Miscellaneous Signal Description</b>   |   |           |  |
| 1. Type Column Coding: I = Input, O = Output, OD = Open Drain output, ST = Schmitt Triggered input, TS = Three-State-able output, SL = Slew-rate Limited output, IP = weak Internal Pull-up, ID = weak Internal pull-Down.<br>2. Switched to TPIP/N Inputs when MDIX is not active (twisted-pair, non-crossover MDI mode).<br>3. Switched to TPOP/N Outputs when MDIX is not active (twisted-pair, non-crossover MDI mode). |   |           |  |

**Table 39 BGA15 Signal Descriptions (Sheet 4 of 7)**

| Symbol   | BGA15 Ball Designation | Type                           | Signal Description   |          |          |                                |   |   |        |   |   |        |   |   |        |   |   |        |
|--|------------------------|--------------------------------|--|----------|----------|--------------------------------|---|---|--------|---|---|--------|---|---|--------|---|---|--------|
| TxSLEW_0<br>TxSLEW_1   | M11,<br>M12            | I, ST, ID                      | <p><b>Tx Output Slew Controls 0 and 1 Defaults.</b><br/>           These pins are read at startup or reset. Their value at that time is used to set the default state of Register bits 27.11:10 for all ports. These register bits can be read and overwritten after startup / reset.</p> <p>These pins select the TX output slew rate for all ports (rise and fall time) as follows:</p> <table border="1"> <thead> <tr> <th>TxSLEW_1</th> <th>TxSLEW_0</th> <th>Slew Rate (Rise and Fall Time)</th> </tr> </thead> <tbody> <tr> <td>0</td> <td>0</td> <td>3.3 ns</td> </tr> <tr> <td>0</td> <td>1</td> <td>3.6 ns</td> </tr> <tr> <td>1</td> <td>0</td> <td>3.9 ns</td> </tr> <tr> <td>1</td> <td>1</td> <td>4.2 ns</td> </tr> </tbody> </table> | TxSLEW_1 | TxSLEW_0 | Slew Rate (Rise and Fall Time) | 0 | 0 | 3.3 ns | 0 | 1 | 3.6 ns | 1 | 0 | 3.9 ns | 1 | 1 | 4.2 ns |
| TxSLEW_1   | TxSLEW_0               | Slew Rate (Rise and Fall Time) |  |          |          |                                |   |   |        |   |   |        |   |   |        |   |   |        |
| 0  | 0                      | 3.3 ns                         |  |          |          |                                |   |   |        |   |   |        |   |   |        |   |   |        |
| 0  | 1                      | 3.6 ns                         |  |          |          |                                |   |   |        |   |   |        |   |   |        |   |   |        |
| 1  | 0                      | 3.9 ns                         |  |          |          |                                |   |   |        |   |   |        |   |   |        |   |   |        |
| 1  | 1                      | 4.2 ns                         |  |          |          |                                |   |   |        |   |   |        |   |   |        |   |   |        |
| RESET_L  | C10                    | I, ST, IP                      | <p><b>Reset.</b><br/>           This active low input is ORed with the control register Reset Register bit 0.15. When held Low, all outputs are forced to inactive state.<br/>           Pin is not on JTAG chain.</p>   |          |          |                                |   |   |        |   |   |        |   |   |        |   |   |        |
| ADD_4<br>ADD_3   | N10,<br>P10            | I, ST, ID                      | <p><b>Address &lt;4:3&gt;.</b><br/>           Sets base address to one of the following four possible addresses:</p> <ul style="list-style-type: none"> <li>• 00000</li> <li>• 01000</li> <li>• 10000</li> <li>• 11000</li> </ul> <p>Each port adds its port number (starting with 0) to this address to determine its PHY address.</p> <p>Port 0 Address = Base<br/>           Port 1 Address = Base + 1<br/>           Port 2 Address = Base + 2<br/>           Port 3 Address = Base + 3<br/>           Port 4 Address = Base + 4<br/>           Port 5 Address = Base + 5<br/>           Port 6 Address = Base + 6<br/>           Port 7 Address = Base + 7</p>  |          |          |                                |   |   |        |   |   |        |   |   |        |   |   |        |
| MODESEL_1<br>MODESEL_0   | E8<br>C9,              | I, ST, ID                      | <p><b>Mode Select[1:0].</b><br/>           00 = Reserved<br/>           01 = SMII<br/>           10 = SS-SMII<br/>           11 = Reserved</p> <p>All ports are configured the same. Interfaces cannot be mixed and must be all SMII or SS-SMII.</p>   |          |          |                                |   |   |        |   |   |        |   |   |        |   |   |        |
| <p>1. Type Column Coding: I = Input, O = Output, OD = Open Drain output, ST = Schmitt Triggered input, TS = Three-State-able output, SL = Slew-rate Limited output, IP = weak Internal Pull-up, ID = weak Internal pull-Down.</p> <p>2. Switched to TPIP/N Inputs when MDIX is not active (twisted-pair, non-crossover MDI mode).</p> <p>3. Switched to TPOP/N Outputs when MDIX is not active (twisted-pair, non-crossover MDI mode).</p> |                        |                                |  |          |          |                                |   |   |        |   |   |        |   |   |        |   |   |        |

**Table 39 BGA15 Signal Descriptions (Sheet 5 of 7)**

| Symbol  | BGA15 Ball Designation | Type              | Signal Description   |
|---|------------------------|-------------------|--|
| AMDIX_EN  | K8                     | I, ST, IP         | <p><b>Auto MDI/MDIX Enable Default.</b><br/>           This pin is read at startup or reset. Its value at that time is used to set the default state of Register bit 27.9 for all ports. These register bits can be read and overwritten after startup / reset. Refer to <a href="#">Table 40 on page 116</a>.</p> <p>When active (High), automatic MDI crossover (MDIX) (regardless of segmentation) is selected for all ports. When inactive (Low) MDIX is selected according to the MDIX pin.</p>   |
| CFG_1<br>CFG_2<br>CFG_3   | M10,<br>L9,<br>M9      | I, ST, ID         | <p><b>Global Port Configuration Defaults 1-3.</b><br/>           These pins are read at startup or reset. Their value at that time is used to set the default state of register bits shown in <a href="#">Table 42, Global Hardware Configuration Settings, on page 126</a> for all ports. These register bits can be read and overwritten after startup / reset.</p> <p>When operating in Hardware Control Mode, these pins provide configuration control options for all the ports (refer to <a href="#">page 126</a> for details).</p>  |
| FIFOSEL1<br>FIFOSEL0  | C1,<br>F1              | I, ID, ST         | <p><b>FIFO Select &lt;1:0&gt;.</b><br/>           These pins are read at startup or reset. Their value at that time is used to set the default state of Register bits 18.15:14 for all ports. These register bits can be read and overwritten after startup/reset.</p> <p>These pins are shared with RMII-RxER&lt;5:4&gt;. An external pull-up resistor (see applications section for value) can be used to set FIFO Select&lt;1:0&gt; to active while RxER&lt;5:4&gt; are three-stated during hardware reset. If no pull-up is used, the default FIFO select state is set via the internal pull-down resistors.</p> <p>See <a href="#">Table 36, Receive FIFO Depth Configurations, on page 96</a>.</p> |
| LINKHOLD  | B3                     | I, ID, ST         | <p><b>LINKHOLD Default.</b> This pin is read at startup or reset. Its value at that time is used to set the default state of Register bit 0.11 for all ports. This register bit can be read and overwritten after startup / reset. When High, the LXT9785/LXT9785E powers down all ports.</p> <p>This pin is shared with RMII-RxER6. An external pull-up resistor (see applications section for value) can be used to set LINKHOLD active while RxER6 is three-stated during H/W reset. If no pull-up is used, the default LINKHOLD state is set inactive via the internal pull-down resistor.</p>   |
| <b>LED Signal Descriptions</b>  |                        |                   |  |
| LED0_1_L<br>LED0_2_L<br>LED0_3_L  | N9<br>P9<br>M8         | OD, TS,<br>SL, IP | <p><b>Port 0 LED Drivers 1-3.</b><br/>           These pins drive LED indicators for Port 0. Each LED can display one of several available status conditions as selected by the LED Configuration Register (refer to <a href="#">Table 97, LED Configuration Register (Address 20, Hex 14), on page 204</a> for details).</p>  |
| <ol style="list-style-type: none"> <li>1. Type Column Coding: I = Input, O = Output, OD = Open Drain output, ST = Schmitt Triggered input, TS = Three-State-able output, SL = Slew-rate Limited output, IP = weak Internal Pull-up, ID = weak Internal pull-Down.</li> <li>2. Switched to TPIP/N Inputs when MDIX is not active (twisted-pair, non-crossover MDI mode).</li> <li>3. Switched to TPOP/N Outputs when MDIX is not active (twisted-pair, non-crossover MDI mode).</li> </ol> |                        |                   |  |

**Table 39 BGA15 Signal Descriptions (Sheet 6 of 7)**

| Symbol  | BGA15 Ball Designation                           | Type              | Signal Description  |
|---|--|-------------------|---|
| LED1_1_L<br>LED1_2_L<br>LED1_3_L  | N8<br>P8<br>L8                                   | OD, TS,<br>SL, IP | <b>Port 1 LED Drivers 1-3.</b><br>These pins drive LED indicators for Port 1. Each LED can display one of several available status conditions as selected by the LED Configuration Register (refer to <a href="#">Table 97, LED Configuration Register (Address 20, Hex 14)</a> , on page 204 for details). |
| LED2_1_L<br>LED2_2_L<br>LED2_3_L  | P7<br>N7<br>M7                                   | OD, TS,<br>SL, IP | <b>Port 2 LED Drivers 1-3.</b><br>These pins drive LED indicators for Port 2. Each LED can display one of several available status conditions as selected by the LED Configuration Register (refer to <a href="#">Table 97, LED Configuration Register (Address 20, Hex 14)</a> , on page 204 for details). |
| LED3_1_L<br>LED3_2_L<br>LED3_3_L  | P6<br>N6<br>M6                                   | OD, TS,<br>SL, IP | <b>Port 3 LED Drivers 1-3.</b><br>These pins drive LED indicators for Port 3. Each LED can display one of several available status conditions as selected by the LED Configuration Register (refer to <a href="#">Table 97, LED Configuration Register (Address 20, Hex 14)</a> , on page 204 for details). |
| LED4_1_L<br>LED4_2_L<br>LED4_3_L  | B9<br>A9<br>D8                                   | OD, TS,<br>SL, IP | <b>Port 4 LED Drivers 1-3.</b><br>These pins drive LED indicators for Port 4. Each LED can display one of several available status conditions as selected by the LED Configuration Register (refer to <a href="#">Table 97, LED Configuration Register (Address 20, Hex 14)</a> , on page 204 for details). |
| LED5_1_L<br>LED5_2_L<br>LED5_3_L  | B8<br>A8<br>C7                                   | OD, TS,<br>SL, IP | <b>Port 5 LED Drivers 1-3.</b><br>These pins drive LED indicators for Port 5. Each LED can display one of several available status conditions as selected by the LED Configuration Register (refer to <a href="#">Table 97, LED Configuration Register (Address 20, Hex 14)</a> , on page 204 for details). |
| LED6_1_L<br>LED6_2_L<br>LED6_3_L  | A7<br>B7<br>D6                                   | OD, TS,<br>SL, IP | <b>Port 6 LED Drivers 1-3.</b><br>These pins drive LED indicators for Port 6. Each LED can display one of several available status conditions as selected by the LED Configuration Register (refer to <a href="#">Table 97, LED Configuration Register (Address 20, Hex 14)</a> , on page 204 for details). |
| LED7_1_L<br>LED7_2_L<br>LED7_3_L  | B6<br>A6<br>D5                                   | OD, TS,<br>SL, IP | <b>Port 7 LED Drivers 1-3.</b><br>These pins drive LED indicators for Port 7. Each LED can display one of several available status conditions as selected by the LED Configuration Register (refer to <a href="#">Table 97, LED Configuration Register (Address 20, Hex 14)</a> , on page 204 for details). |
| <b>Power Supply Signal Descriptions</b>   |  |                   |   |
| AVCC  | D12, E12,<br>F12, G12,<br>H12, J12,<br>K12, L12, | –                 | <b>Analog Power Supply.</b><br>+2.5 V supply for analog circuits.   |
| <ol style="list-style-type: none"> <li>1. Type Column Coding: I = Input, O = Output, OD = Open Drain output, ST = Schmitt Triggered input, TS = Three-State-able output, SL = Slew-rate Limited output, IP = weak Internal Pull-up, ID = weak Internal pull-Down.</li> <li>2. Switched to TPIP/N Inputs when MDIX is not active (twisted-pair, non-crossover MDI mode).</li> <li>3. Switched to TPOP/N Outputs when MDIX is not active (twisted-pair, non-crossover MDI mode).</li> </ol> |  |                   |   |

**Table 39 BGA15 Signal Descriptions (Sheet 7 of 7)**

| Symbol  | BGA15 Ball Designation   | Type | Signal Description   |
|---|--|------|--|
| AVSS  | E11, F9, F10, F11, G9, G10, G11, H9, H10, H11, J9, J10, J11, K11, L11  | –    | <b>Analog Ground.</b><br>Ground return for analog supply (AVCC). all grounds can be tied together using a single ground plane.   |
| VCCD  | D7, L7   | –    | <b>Digital Power Supply - Core.</b><br>+2.5 V supply for core digital circuits.  |
| VCCIO   | D4, F4, H4, L3, L5,  | –    | <b>Digital Power Supply - I/O Ring.</b><br>+2.5/3.3 V supply for digital I/O circuits. The digital input circuits running off of this rail, having a TTL-level threshold and over-voltage protection, may be interfaced with 3.3/5.0 V, when the IO supply is 3.3 V, and 2.5/3.3/5.0 V when 2.5 V. |
| GNDD  | A1, A2, A3, B1, B2, B5, B10, D9, D11, E5, E6, E9, E10, F5, F6, F7, F8, G4, G6, G7, G8, H6, H7, H8, J5, J6, J7, J8, K5, K6, K9, K10, L2, N1, N11, P1, P11 | –    | <b>Digital Ground.</b><br>Ground return for core digital supplies (VCCD). All ground pins can be tied together using a single ground plane.  |
| SGND  | C8   | –    | <b>Substrate Ground.</b><br>Ground for chip substrate. All ground pins can be tied together using a single ground plane.   |
| <b>Unused/Reserved Balls</b>  |  |      |  |
| NC  | C4, D1, D2, D10, E4, E7, G2, G5, H1, H5, J4, K4, K7, L1, L6, L10, M4, M5, P2, P3   | –    | No Connection.   |
| <ol style="list-style-type: none"> <li>1. Type Column Coding: I = Input, O = Output, OD = Open Drain output, ST = Schmitt Triggered input, TS = Three-State-able output, SL = Slew-rate Limited output, IP = weak Internal Pull-up, ID = weak Internal pull-Down.</li> <li>2. Switched to TPIP/N Inputs when MDIX is not active (twisted-pair, non-crossover MDI mode).</li> <li>3. Switched to TPOP/N Outputs when MDIX is not active (twisted-pair, non-crossover MDI mode).</li> </ol> |  |      |  |



---

## 4.0 Functional Description

### 4.1 Introduction

The Cortina Systems® LXT9785/LXT9785E is an 8-port Fast Ethernet 10/100 PHY transceiver that supports 10 Mbps and 100 Mbps networks, complying with all applicable requirements of IEEE 802.3 standards. The device incorporates a Serial Media Independent Interface (SMII), Source Synchronous-Serial Media Independent Interface (SS-SMII), and a Reduced Serial Independent Interface (RMII) to enable each individual network port to interface with multiple 10/100 MACs. Each port directly drives either a 100BASE-TX line or a 10BASE-T line. The LXT9785/LXT9785E also supports 100BASE-FX operation via an LVPECL interface. The device has a 241-ball BGA, a 208-pin QFP, or a 196-ball BGA package.

The 196-ball BGA package (BGA15) is a reduced feature-set product designated as the LXT9785MBC. The BGA15 package does not support the following features:

- RMII
- Fiber
- Sectionalization
- Hardware control pins:
  - PAUSE
  - MDIX
  - MDDIS
  - PWRDWN
  - Lower three PHY address (out of five PHY address bits)
- Extended temperature

**Note:** Unless otherwise noted, all information in this document applies to the LXT9785 and LXT9785E.

#### 4.1.1 OSP™ Architecture

The LXT9785/LXT9785E incorporates high-efficiency Optimal Signal Processing™ design techniques, combining the best properties of digital and analog signal processing to produce a truly optimal device.

The receiver utilizes decision feedback equalization to increase noise and cross-talk immunity by as much as 3 dB over an ideal all-analog equalizer. Using OSP mixed-signal processing techniques in the receive equalizer avoids the quantization noise and calculation truncation errors found in traditional DSP-based receivers (typically complex DSP engines with A/D converters). The result is improved receiver noise and cross-talk performance.

The OSP architecture also requires substantially less computational logic than traditional DSP-based designs. The result is lower power consumption and reduced logic switching noise generated by DSP engines clocked at speeds up to 125 MHz. The logic switching noise can be a considerable source of EMI when generated from the device's power supplies.

The OSP-based LXT9785/LXT9785E provides improved data recovery, EMI performance and power consumption.

## 4.1.2 Comprehensive Functionality

The LXT9785/LXT9785E performs all functions of the Physical Coding Sublayer (PCS) and Physical Media Attachment (PMA) sublayer as defined in the IEEE 802.3 100BASE-X specification. This device also performs all functions of the Physical Media Dependent (PMD) sublayer for 100BASE-TX connections.

On power-up, the LXT9785/LXT9785E reads its configuration inputs to check for forced operation settings. If not configured for forced operation, each port uses auto-negotiation/parallel detection to automatically determine line operating conditions. If the PHY device on the other side of the link supports auto-negotiation, the LXT9785/LXT9785E auto-negotiates with it using Fast Link Pulse (FLP) Bursts. If the PHY partner does not support auto-negotiation, the LXT9785/LXT9785E automatically detects the presence of either link pulses (10 Mbps PHY) or Idle symbols (100 Mbps PHY) and set its operating conditions accordingly.

The LXT9785/LXT9785E provides half-duplex and full-duplex operation at 100 Mbps and 10 Mbps.

### 4.1.2.1 Sectionalization

The LXT9785/LXT9785E's sectional design allows flexibility with large multiport MACs and ASICs. With the use of the Section pin, the LXT9785/LXT9785E can be configured into a single 8-port or two separate 4-port sections, each with its own MDIO (with separate MDC clock) and MII data (with separate REFCLK/TxCLK/RxCLK clocks) interfaces. See [Figure 16, Typical SMI Quad Sectionalization, on page 131](#), [Figure 21, Typical SS-SMI Quad Sectionalization, on page 136](#), and [Figure 26, Typical RMII Quad Sectionalization, on page 140](#).

**Note:** The BGA15 package does not support sectionalization.

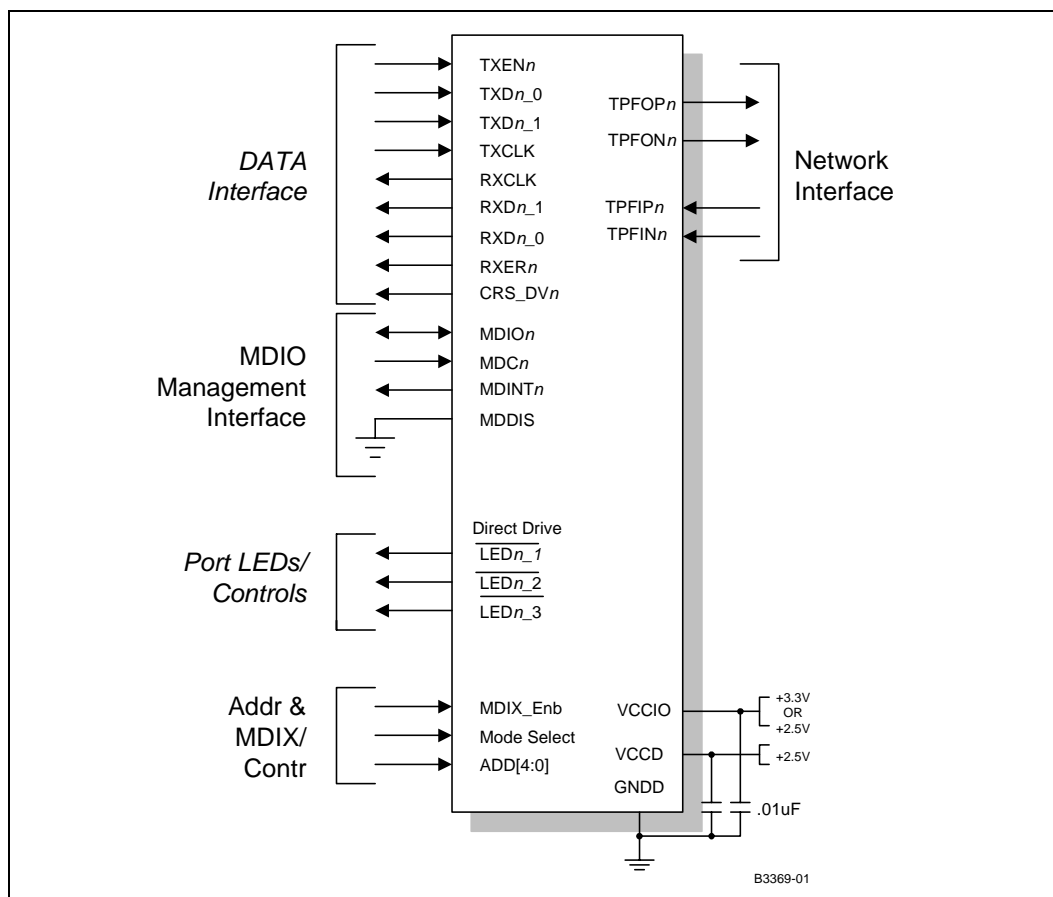
## 4.2 Interface Descriptions

### 4.2.1 10/100 Network Interface

The LXT9785/LXT9785E supports 10 Mbps and 100 Mbps (10BASE-T and 100BASE-TX) Ethernet over twisted-pair, or 100 Mbps (100BASE-FX) Ethernet over fiber media. Each network interface port consists of four external pins (two differential signal pairs). The pins are shared between twisted-pair (TP) and fiber. The LXT9785/LXT9785E pinout is designed to interface seamlessly with dual-high stacked RJ-45 connectors. Refer to [Table 11, Network Interface Signal Descriptions – PQFP, on page 42](#) for specific pin assignments.

The LXT9785/LXT9785E output drivers generate either 100BASE-TX, 10BASE-T, or 100BASE-FX output. When not transmitting data, the device generates IEEE 802.3-compliant link pulses or idle code. Input signals are decoded either as a 100BASE-TX, 100BASE-FX, or 10BASE-T input, depending on the mode selected. Auto-negotiation/parallel detection or manual control is used to determine the speed of this interface.

**Figure 7** Interface Signals



#### 4.2.1.1 Twisted-Pair Interface

The LXT9785/LXT9785E supports either 100BASE-TX or 10BASE-T connections over 100 Ω, Category 5, Unshielded Twisted-Pair (UTP). Only a transformer, RJ-45, and bypass capacitors are required to complete this interface. Using waveshaping technology, the transmitter shapes the outgoing signal to help reduce the need for external EMI filters. Four slew rate settings (refer to [Table 13, Miscellaneous Signal Descriptions – PQFP, on page 43](#)) allow the designer to match the output waveform to the magnetic characteristics. Both transmit and receive terminations are built into the LXT9785/LXT9785E so no external components are required between the LXT9785/LXT9785E and the external transformer. The transmitter uses a transformer with a center tap to help reduce power consumption.

When operating at 100 Mbps, MLT3 symbols are continuously transmitted and received. When not transmitting data, the LXT9785/LXT9785E generates “IDLE” symbols.

During 10 Mbps operation, LXT9785/LXT9785E encoded data is exchanged. When no data are being exchanged, the line is left in an idle state with NLPs transmitted to maintain link.

#### 4.2.1.2 MDI Crossover (MDIX)

The LXT9785/LXT9785E crossover function, which is compliant to the IEEE 802.3, clause 23 standard, connects the transmit output of the device to the far-end receiver in a link segment. This function can be disabled via Register bits 27.9:8 or by using the hardware configuration pins.

**Table 40 MDIX Selection**

| AMDIX_EN | MDIX | MDIX Mode     |
|----------|------|---------------|
| 0        | 0    | MDI forced    |
| 0        | 1    | MDIX forced   |
| 1        | X    | Auto MDI/MDIX |

**Note:** The BGA15 package does not support MDIX hardware configuration. Software must be used to control the function after power-up.

#### 4.2.1.3 Fiber Interface

The LXT9785/LXT9785E fiber ports are designed to interface with common industry-standard 3.3 V and 5 V fiber transceivers. Each of the 8 ports incorporates a Low-Voltage PECL interface that complies with the ANSI X3.166 standard for seamless integration.

**Note:** The BGA15 package does not support the fiber interface.

Fiber mode is selected through Register bit 16.0 by the following two methods:

1. Configure Register bit 16.0 = 1 on a global basis (all 8 ports) by driving the Hardware Control pin G\_FX/TP\_L to a logic High value on power-up and/or reset.
2. Configure Register bit 16.0 = 1 on a per-port basis through the MDIO interface.

The fiber interface is capable of full-duplex or half-duplex operation. In half duplex, operation collisions must be managed by external Layer 2 logic (MAC). Auto negotiation is not supported for fiber mode.

### 4.3 Media Independent Interface (MII) Interfaces

The LXT9785/LXT9785E supports Reduced MII or Serial MII, but not concurrently. The interface mode selection pins configures the device for either RMII or SMII/SS-SMII on all eight ports. Refer to [Table 41](#) for the mode select settings.

**Note:** The BGA15 package does not support the RMII interface.

### 4.3.1 Global MII Mode Select

The mode select pins are used for MII interface configuration settings upon power-up sequencing. All ports are configured the same and cannot be intermixed.

**Table 41 MII Mode Select**

| Configuration     | ModeSel1 | ModeSel0 |
|-------------------|----------|----------|
| RMII <sup>1</sup> | 0        | 0        |
| SMII              | 0        | 1        |
| SS-SMII           | 1        | 0        |
| Reserved          | 1        | 1        |

1. Invalid for the BGA15 package.

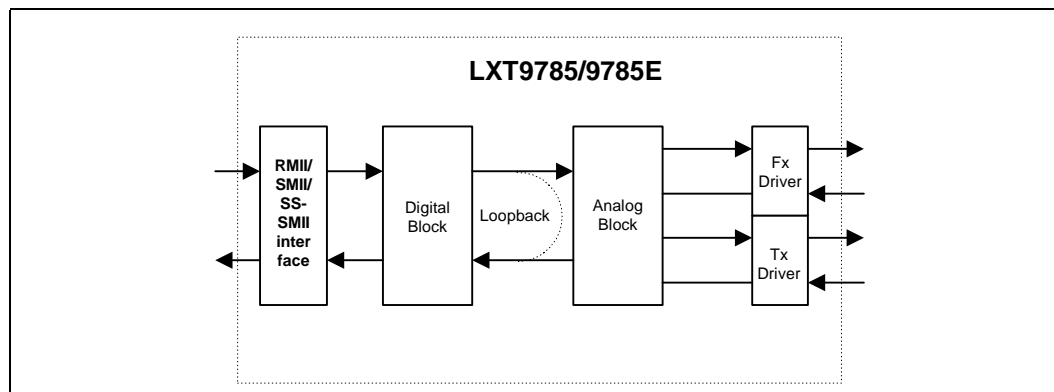
### 4.3.2 Internal Loopback

Register bit 0.14 must be set to enable internal loopback operation. Register bits 16.14 and 0.8 must be set for 10 Mbps operation. Cortina recommends that auto-negotiation be disabled while internal loopback is enabled. The normal auto-negotiation process code word exchange cannot be completed. The following two-step sequence is recommended for the most efficient mode change when enabling forced 100 Mbps internal loopback mode directly from auto-negotiation mode:

1. Write Register 0 with 0x2100h (forced 100 Mbps), and
2. Write Register 0 with 0x6100h (enable internal loopback with forced 100 Mbps)

This two-step process ensures the 100 Mbps link comes up quickly. If the one-write process of writing 0x6100h is followed, it may take up to 1.5 seconds before link is established and data is received on the port. The 1.5 second delay is due to the IEEE auto-negotiation Break Link Timer (BLT) requirement. The timer must expire before link is established when changing modes directly from auto-negotiation to internal loopback forced 100 Mbps mode. Use the above two-step process to eliminate the auto-negotiation BLT timer requirement.

**Figure 8 Internal Loopback**



### 4.3.3 RMI Data Interface

The LXT9785/LXT9785E provides a separate RMI for each network port, each complying with the RMI Specification, Revision 1.2. The RMI includes both a data interface and an MDIO management interface. The RMI Data Interface exchanges data between the LXT9785/LXT9785E and up to eight Media Access Controllers (MACs).

### 4.3.4 Serial Media Independent Interface (SMII) and Source Synchronous- Serial Media Independent Interface (SS-SMII)

#### 4.3.4.1 SMII Interface

The LXT9785/LXT9785E provides an independent serial interface for each network port, complying with the Serial-MII Specification, Revision 1.2. All SMII ports use a common reference clock and SYNC signal. The SMII Data Interface exchanges data between the LXT9785/LXT9785E and multiple Media Access Controllers (MACs). All signals are synchronous to the reference clock. One SYNC control stream is sourced by the MAC to the PHY. Both the transmit and receive data streams are segmented into boundaries delimited by the SYNC pulses. This interface is expected to drive up to 6 inches of trace lengths.

#### 4.3.4.2 Source Synchronous-Serial Media Independent Interface

The new revision to the SMII interface, SS-SMII, allows for a longer trace length and helps to relieve timing constraints, requiring the addition of four new signals, TxCLK, TxSYNC, RxCLK, and RxSYNC. The transmit TxCLK and TxSYNC are sourced from the MAC to the PHY and referenced to the REFCLK input. The receive RxCLK and RxSYNC are sourced by the PHY to the MAC and in reference to the REFCLK.

### 4.3.5 Configuration Management Interface

The LXT9785/LXT9785E provides an MDIO Management Interface and a Hardware Control Interface (via the CFG pins) for device configuration and management. Mode control selection is provided via the MDDIS pin as shown in [Table 9, MDIO Control Interface Signals – PQFP, on page 41](#). When sectionalization (2x4) is selected, separate MDIO interfaces are enabled (see [Figure 13 on page 124](#)).

### 4.3.6 MII Isolate

In applications where the MII must be isolated from the bus, the RMI and the SMII/SS-SMII configurations can be three-stated using Register 0.10. On each individual port, Register bit 0.10 controls the isolation of the transmit and receive data signals for that port. Register bit 0.10 on ports 0 and 4 isolate the RxCLK $n$ /TxCLK $n$  and SYNC signals.

When 1x8 sectionalization is selected, TxCLK0, TxSYNC0, RxCLK1, and RxSYNC1 are used for the clocking and synchronization interface. Port 4 controls the isolation of RxCLK0, RxCLK1, RxSYNC0, and RxSYNC1, and must be used to isolate the receive clock and synchronization interface.

When 2x4 sectionalization is selected, TxCLK0, TxSNC0, RxCLK0, and TxCLK0 are used for Port 0 through Port 3 and TxCLK1, TxSYNC1, RxCLK1, and RxSYNC1 are used for Port 4 through Port 7. Port 0 must be isolated to isolate the receive clock and synchronization interface for Port 0 through Port 3. Port 4 must be isolated to isolate Port 4 through Port 7.

### 4.3.7 MDIO Management Interface

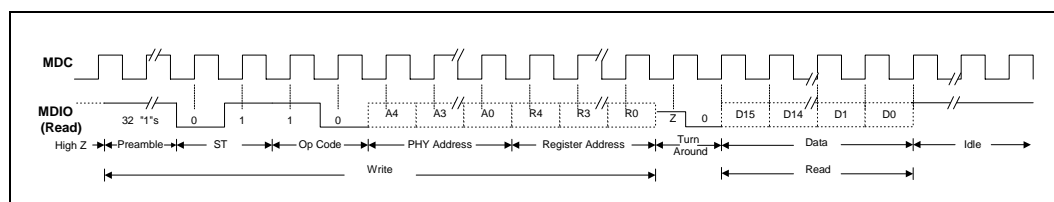
The LXT9785/LXT9785E supports the IEEE 802.3 MII Management Interface, also known as the Management Data Input/Output (MDIO) Interface. This interface allows upper-layer devices to monitor and control the state of the LXT9785/LXT9785E. The MDIO interface consists of a physical connection, a specific protocol that runs across the connection, and an internal set of addressable registers. Some registers are required and their functions are defined by the IEEE 802.3 specification. Additional registers allow for expanded functionality. Specific bits in the registers are referenced using an “X.Y” notation, where X is the register number (0-32) and Y is the bit number (0-15).

The physical interface consists of a data line (MDIO) and clock line (MDC). Operation of this interface is controlled by the MDDIS input pin. When MDDIS is High, all the MDIOs are completely disabled. The Hardware Control Interface provides primary configuration control. When MDDIS is Low, the MDIO port is enabled for both read and write operations and the Hardware Control Interface is not used.

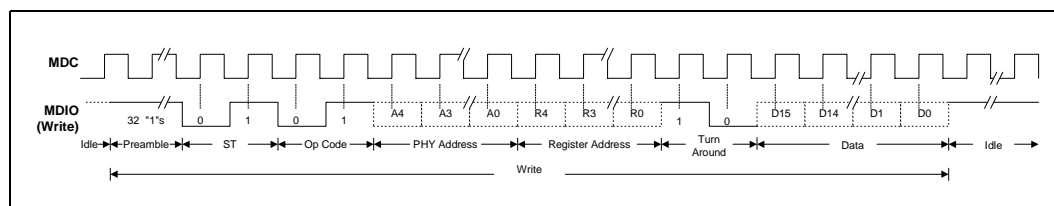
**Note:** The BGA15 package does not support the MDDIS pin.

The timing for the MDIO Interface is shown in [Table 80, MDIO Timing Parameters, on page 189](#). MDIO read and write cycles are shown in [Figure 9, Management Interface Read Frame Structure, on page 119](#) and [Figure 10, Management Interface Write Frame Structure, on page 119](#).

**Figure 9 Management Interface Read Frame Structure**



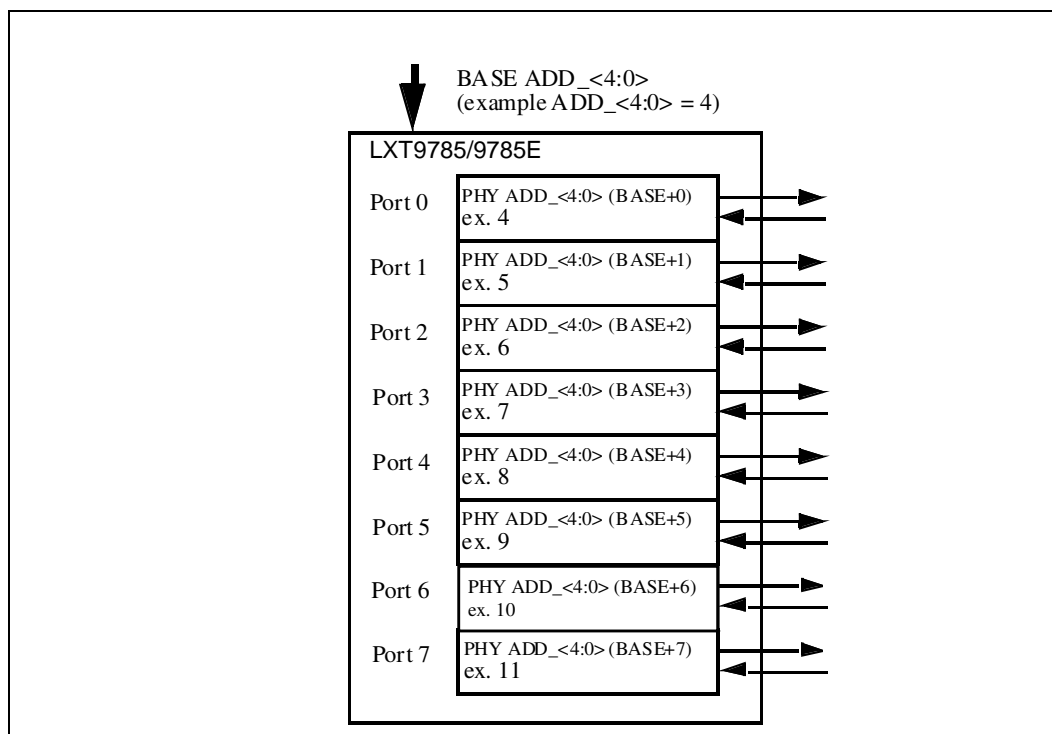
**Figure 10 Management Interface Write Frame Structure**



The protocol allows one controller to communicate with multiple LXT9785/LXT9785E devices. Pins ADD\_<4:0> determine the base address. Each port adds its port number to the base address to obtain its port address as shown in [Figure 11](#).

The BGA15 package uses a similar scheme where the ADD\_<2:0> bits internally set to 0 and the ADD\_<4:3> bits are used to select from four base addresses (0x00000b, 0x01000b, 0x10000b, or 0x11000b).

**Figure 11** Port Address Scheme



### 4.3.8 MII Sectionalization

When sectionalized into two quad sections, the MDIO bus splits into two separate PHY access ports. Ports 0-3 of the MDIO section operate independently of ports 4-7. The MII isolate function is unaffected and operates normally. Sectionalization is selected by pulling pin 176 (Section) High on the initial power-up sequence (refer to [Figure 13](#)). In applications that need sectionalization, such as 1x8 and 2x4 and have a single MDIO bus structure, it is necessary that the addressing scheme be contiguous. For example, the first eight ports are addressed 0-7, so the next four ports must be addressed 8-11.

**Note:** The BGA15 package does not support the MII sectionalization feature.

### 4.3.9 MII Interrupts

The LXT9785/LXT9785E provides a single per-section interrupt pin that is available to all ports. Interrupt logic is shown in [Figure 12](#). The LXT9785/LXT9785E also provides two dedicated interrupt registers for each port. Register 18 provides interrupt enable and mask functions and Register 19 provides interrupt status. Setting Register bit 18.1 = 1 enables a port to request interrupt via the MDINT\_L pin. An active Low on this pin indicates a status change on the device. Because it is a shared interrupt, there is no indication which port is requesting interrupt service (see [Figure 12](#)).

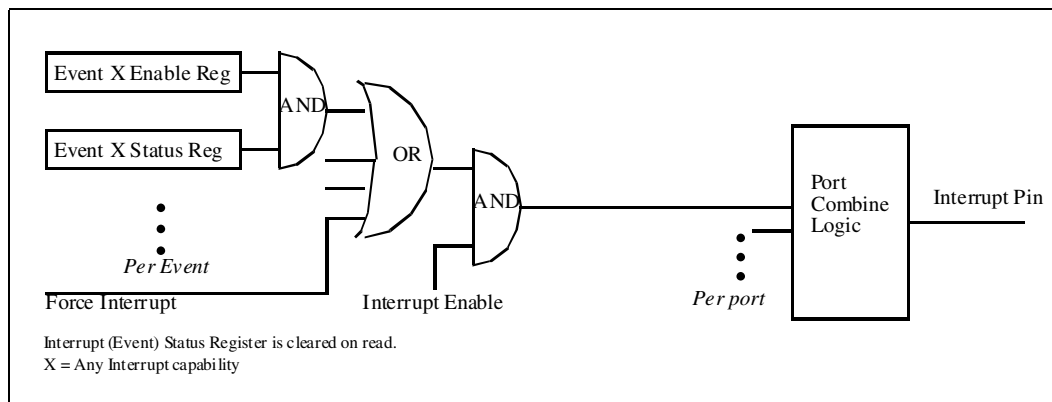
There are five conditions that may cause an interrupt:

- Auto-negotiation complete.
- Speed status change.



- Duplex status change.
- Link status change.
- Isolate status change.

**Figure 12 Interrupt Logic**



#### 4.3.10 Global Hardware Control Interface

The LXT9785/LXT9785E provides a Hardware Control Interface for applications where the MDIO is not desired. Refer to [Section 4.5, Initialization](#), on page 123 for additional details.

#### 4.3.11 FIFO Initial Fill Values

The FIFO initial fill value sets the number of bits required to be written into the FIFO before the process of reading the packet out of the FIFO is started. The read operation is aligned on nibble boundaries because the FIFO is one nibble wide. The read clock on the RMII and SMII interfaces may occur any time within the next available nibble. Therefore, the effective size of the FIFO is one nibble less than the selected size.

Large initial fill FIFO settings alter both the data-path latency and the InterFrame Gap (IFG) output on the RMII and SMII interfaces. The latency values are increased or decreased depending on the number of bits the FIFO size is increased or decreased. The IFG may decrease up to twice the size of the initial fill FIFO setting. When the following three conditions are met, the IPG on the RMII and SMII interfaces may become nonexistent between packets, effectively concatenating the packets into one long corrupted packet:

- The frequency difference between the link partner and the local LXT9785/LXT9785E device exceed 200 ppm (the IEEE standard requirement).
- Jumbo packets (8192 byte packets or longer) are used.
- Packets on the wire occur with minimum Inter-Packet Gap (IPG) of 96 bit times.

The concatenation of the packets is flagged by the MAC as a CRC error and possibly an oversized packet depending upon the length indication capabilities of the MAC. The possibility of packet concatenation can be minimized on the RMII interface by setting the initial fill FIFO Register bits 18.15:14 to 01. The FIFO setting bits should be set to 10 for the SMII interfaces.

---

## 4.4 Operating Requirements

### 4.4.1 Power Requirements

The LXT9785/LXT9785E requires four power supply inputs: VCCD, VCCA, VCCPECL and VCCIO. The digital and analog circuits require 2.5 V supplies (VCCD, VCCR, and VCCT). These inputs may be supplied from a single source although decoupling is required to each respective ground. The fiber VCCPECL supply can be connected to either 2.5 V or 3.3 V.

A separate power supply may be used for the MII, JTAG and MDIO (VCCIO) interfaces. The power supply may be either +2.5 V or +3.3 V. VCCIO should be supplied from the same power source used to supply the controller on the other side of the interface. Refer to [Table 54, Digital I/O DC Electrical Characteristics \(VCCIO = 2.5 V +/- 5%\), on page 171](#), [Table 55, Digital I/O DC Electrical Characteristics \(VCCIO = 3.3 V +/- 5%\), on page 172](#), and [Table 56, Digital I/O DC Electrical Characteristics – SD Pins, on page 172](#) for I/O characteristics.

As a matter of good practice, these supplies should be as clean as possible. Typical filtering and decoupling are shown in [Figure 34 on page 165](#). The power supplies should be brought up as close to the same time as possible. However, there are no specific timing requirements.

### 4.4.2 Clock/SYNC Requirements

#### 4.4.2.1 Reference Clock

The LXT9785/LXT9785E requires a constant enabled reference clock (REFCLK). REFCLK's frequency must be 50 MHz for RMII or 125 MHz for SMII/SS-SMII. The reference clock is used to generate transmit signals and recover receive signals. A crystal-based clock is recommended over a derived clock (that is, PLL-based) to minimize transmit jitter. Refer to [Table 57, Required Clock Characteristics, on page 172](#) for clock timing requirements.

For applications that use a single 8-port sectionalization, REFCLK0 and REFCLK1 must always be tied together and to the source. In 2x4 applications, REFCLK0 and REFCLK1 are not tied together.

#### 4.4.2.2 TxCLK Signal (SS-SMII only)

The LXT9785/LXT9785E requires a 125 MHz input transmit clock synchronous with TxData<sub>n</sub> and frequency locked to REFCLK. See [Figure 22 on page 137](#).

#### 4.4.2.3 TxSYNC Signal (SMII/SS-SMII)

The LXT9785/LXT9785E requires a 12.5 MHz input pulse for SMII synchronization. See [Figure 22 on page 137](#).

#### 4.4.2.4 RxSYNC Signal (SS-SMII only)

The LXT9785/LXT9785E provides a 12.5 MHz output pulse synchronous with the RxData<sub>n</sub> outputs. See [Figure 23 on page 137](#).

#### 4.4.2.5 RxCLK Signal (SS-SMII Only)

In SS-SMII mode, the LXT9785/LXT9785E provides a 125 MHz clock output in reference to the output RxData<sub>n</sub>. RxCLK is referenced and synchronized to the REFCLK. See [Figure 23 on page 137](#).

**Note:** Although RXCLK is referenced to REFCLK, the RXCLK may vary in cumulative phase by up to four bit-times relative to REFCLK.

## 4.5 Initialization

When the LXT9785/LXT9785E is first powered on, reset, or encounters a link failure state, it checks the MDIO register configuration bits to determine the line speed and operating conditions to use for the network link. The configuration bits may be set by the Hardware Control or MDIO interface as shown in [Figure 13 on page 124](#).

### 4.5.1 MDIO Control Mode

In the MDIO Control mode, the LXT9785/LXT9785E reads the Hardware Control Interface pins to set the initial (default) values of the MDIO registers. Once the initial values are set, bit control reverts to the MDIO interface.

### 4.5.2 Hardware Control Mode

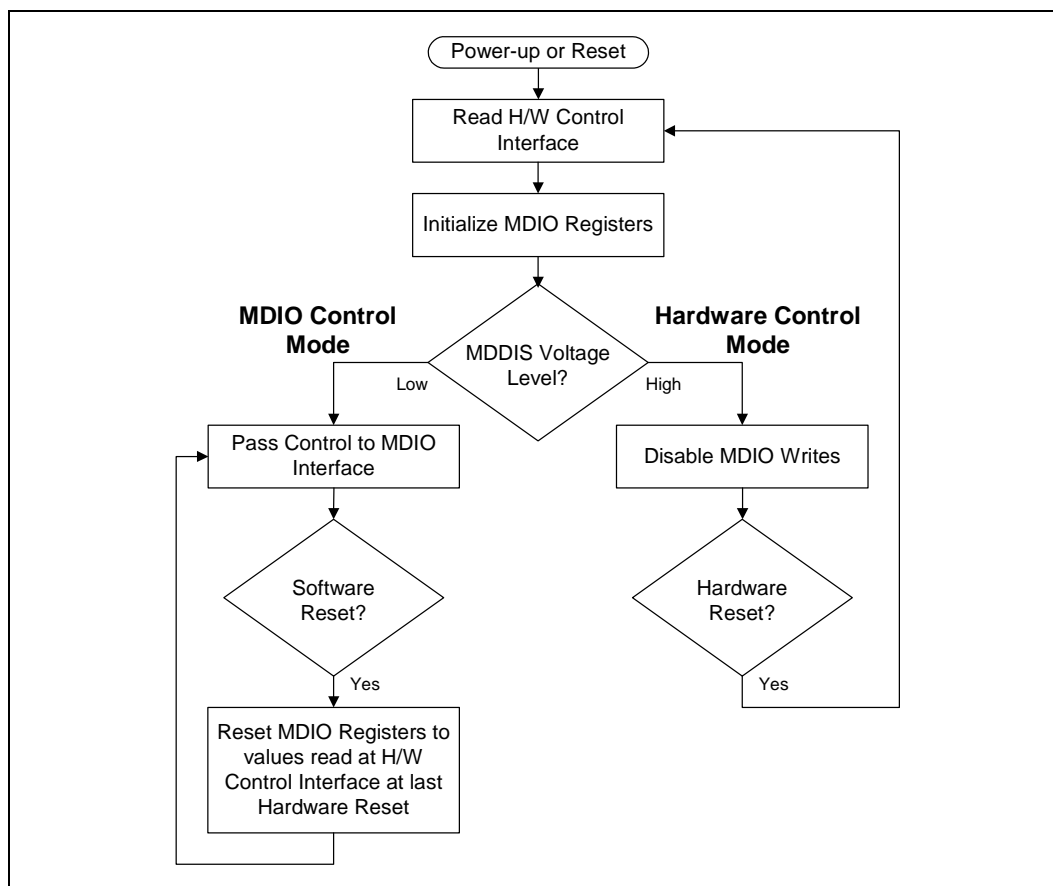
In the Hardware Control Mode, the LXT9785/LXT9785E disables direct write operations to the MDIO registers via the MDIO Interface. On power-up or hardware reset, the LXT9785/LXT9785E reads the Hardware Control Interface pins and sets the MDIO registers accordingly.

The following modes are available using either Hardware Control or MDIO Control:

- Force network link to 100BASE-FX (Fiber).
- Force network link operation to:
  - 100BASE-TX, Full-Duplex
  - 100BASE-TX, Half-Duplex
  - 10BASE-T, Full-Duplex
  - 10BASE-T, Half-Duplex
- Allow auto-negotiation/parallel-detection.
- Auto/Manual MDIX enable/disable.
- Pause for full-duplex links operation.
- Global Output Slew Rate Control.

When the network link is forced to a specific configuration, the LXT9785/LXT9785E immediately begins operating the network interface as commanded. When auto-negotiation is enabled, the LXT9785/LXT9785E begins the auto-negotiation/ parallel-detection operation.

**Figure 13** Initialization Sequence



### 4.5.3 Power-Down Mode

The LXT9785/LXT9785E incorporates numerous features to maintain the lowest power possible. The device can be put into a low-power state via Register 0 as well as a near-zero power state with the power down pin. When in power-down mode, the device is not capable of receiving or transmitting packets.

The lowest power operation is achieved using the Global power-down pin, which is active High. This pin powers down every circuit in the device, including all clocks. All registers are unaltered and maintained when the Global PWRDWN pin is released.

**Note:** The BGA15 package does not support the PWRDWN pin feature.

Individual ports (software power down) can be powered down using Register bit 0.11. This bit powers down a significant portion of the port, but clocks to the register section remain active. This allows the management interface to remain active during register power-down. The power-down bit is active High.

**Note:** Cortina recommends that a minimum recovery time be allowed after bringing up a port from software or hardware power-down or link hold-off modes. The recovery times are specified in [Table 81, Power-Up Timing Parameters, on page 190](#)

#### 4.5.3.1 Global (Hardware) Power Down

The global power-down mode is controlled by the PWRDWN pin. When PWRDWN is High, the following conditions are true:

- All LXT9785/LXT9785E ports and the clock are shut down.
- All outputs are three-stated.
- All weak pad pull-up and pull-down resistors are disabled.
- The MDIO registers are not accessible.
- Configuration pins are read upon release of the PWRDWN pin, and registers are loaded with the current values of the hardware configuration pins.

#### 4.5.3.2 Port (Software) Power Down

Individual port power-down control is provided by Register bit 0.11 in the respective port Control Registers (refer to [Table 84, Control Register \(Address 0\)](#), on page 192). During individual port power-down, the following conditions are true:

- The individual port is shut down.
- The MDIO registers remain accessible.
- Pull-up and pull-down resistors are not affected and the outputs are not three-stated.
- The register remains unchanged.

#### 4.5.4 Reset

The LXT9785/LXT9785E provides both hardware and software resets. Configuration control of Auto-Negotiation, speed, and duplex mode selection is handled differently for each. During a hardware reset, settings for bits 0.13, 0.12, 0.8, and 4.8:5 are read in from the pins (refer to [Table 42, Global Hardware Configuration Settings](#), on page 126 for pin settings, and [Table 84, Control Register \(Address 0\)](#), on page 192 and [Table 88, Auto-Negotiation Advertisement Register \(Address 4\)](#), on page 195 for register bit definitions).

During a software reset (Register bit 0.15 = 1), the bit settings are not re-read from the pins and revert back to the values that were read in during the last hardware reset. Any changes to pin values from the last hardware reset are not detected during a software reset.

During a hardware reset, register information is unavailable for 1 ms after de-assertion of the reset. All MII interface pins are disabled during a hardware reset and released to the bus on de-assertion of reset.

During a software reset (0.15 = 1) the registers are available for reading. The reset bit should be polled to see when the part has completed reset (0.15 = 0). Pull up and pull down resistors are not affected.

Cortina recommends that a minimum recovery time be allowed after bringing up a port from software or hardware reset. The recovery times are specified in [Table 81, Power-Up Timing Parameters](#), on page 190

### 4.5.5 Hardware Configuration Settings

The LXT9785/LXT9785E provides a hardware option to set the initial device configuration. The hardware option uses three Global CFG pins that provide control for all ports (see Table 42).

**Table 42 Global Hardware Configuration Settings**

| Desired Mode |        |           | CFG Pin Settings <sup>1</sup> |      |      | Resulting Register Bit Values |      |     |  |     |     |     |
|--------------|--------|-----------|-------------------------------|------|------|-------------------------------|------|-----|--|-----|-----|-----|
| AutoNeg      | Speed  | Duplex    | 1                             | 2    | 3    | 0.12                          | 0.13 | 0.8 | 4.8                                      | 4.7 | 4.6 | 4.5 |
| Disabled     | 10     | Half      | Low                           | Low  | Low  | 0                             | 0    | 0   | N/A<br>Auto-Negotiation<br>Advertisement |     |     |     |
|              |        | Full      | High                          | Low  | High |                               |      | 1   |  |     |     |     |
|              | 100    | Half      | Low                           | High | Low  |                               | 1    | 0   |  |     |     |     |
|              |        | Full      | High                          | High | High |                               |      | 1   |  |     |     |     |
| Enabled      | 100    | Half      | High                          | Low  | Low  | 1                             | 1    | 0   | 0  | 1   | 0   | 0   |
|              |        | Full/Half | High                          | Low  | High |                               | 1    | 0   | 1  | 1   | 0   | 0   |
|              | 10/100 | Half      | High                          | High | Low  |                               | 1    | 0   | 0  | 1   | 0   | 1   |
|              |        | Full/Half | High                          | High | High |                               | 1    | 0   | 1  | 1   | 1   | 1   |

1. Refer to Table 5, *RMII Signal Descriptions – PQFP*, on page 36 through Table 17, *Receive FIFO Depth Considerations*, on page 50 Table 24, *RMII Signal Descriptions – BGA23*, on page 80 through Table 36, *Receive FIFO Depth Configurations*, on page 96, and Table 39, *BGA15 Signal Descriptions*, on page 106 for CFG pin assignments.

## 4.6 Link Establishment

### 4.6.1 Auto-Negotiation

The LXT9785/LXT9785E attempts to auto-negotiate with its link partner by sending Fast Link Pulse (FLP) bursts. Each burst consists of 33 link pulses spaced 62.5 μs apart. Odd link pulses (clock pulses) are always present. Even link pulses (data pulses) may also be present or absent to indicate a “1” or a “0”. Each FLP burst exchanges 16 bits of data, referred to as a “page”. All devices that support auto-negotiation must implement the “Base Page”, defined by IEEE 802.3 (registers 4 and 5). The LXT9785/LXT9785E also supports the optional “Next Page” function (registers 7 and 8).

#### 4.6.1.1 Base Page Exchange

By exchanging Base Pages, the LXT9785/LXT9785E and its link partner communicate their capabilities to each other. Both sides must receive at least three identical base pages for negotiation to proceed. Each side finds their highest common capabilities, exchange more pages, and agree on the operating state of the line.

#### 4.6.1.2 Manual Next Page Exchange

Additional information, exceeding that required by base page exchange, is also sent via “Next Pages.” The LXT9785/LXT9785E fully supports the IEEE 802.3 method of negotiation via Next Page exchange. The Next Page exchange uses Register 7 to send information and Register 8 to receive it. Next Page exchange occurs only if both ends of the link partners advertise their ability to exchange Next Pages. A special mode has been added to make manual next page exchange easier for software. When Register 6 “page”

is received, it stays set until read. This bit is cleared when a new negotiation occurs, preventing the user from reading an old value in Register 6 and assuming there is valid information in Registers 5 and 8. The page received bit is cleared upon reading the [Section Table 90, Auto-Negotiation Expansion Register \(Address 6\), on page 197](#).

#### 4.6.1.3 Controlling Auto-Negotiation

The following steps are recommended when auto-negotiation is controlled by software:

- After power-up, power-down, or reset, the power-down recovery time, as specified in [Table 81, Power-Up Timing Parameters, on page 190](#), must be exhausted before proceeding.
- Set the auto-negotiation advertisement register bits in Register 4 as desired.
- Enable auto-negotiation (set MDIO Register bit 0.12 = 1).
- Enable or restart auto-negotiation as soon as possible after writing to Register 4 to ensure proper operation.

#### 4.6.1.4 Link Criteria

In 100 Mbps mode, link is established when the descrambler becomes locked and remains locked for approximately 50 ms. Link remains up unless the descrambler receives less than 16 consecutive idle symbols in any 2 ms period. This provides a robust operation, filtering out any small noise hits that may disrupt the link.

MLT-3 idle waveforms, for short periods, meet all the criteria for 10BASE-T start delimiters. A working 10BASE-T receive may temporarily indicate link to 100BASE-TX waveforms. However, the PHY will not bring up a permanent 10 Mbps link.

According to the IEEE standard 10 Mbps link state machine, the last condition that must be met before 10 Mbps link can come up is a period of transmit and receive idle time. TXEN and RXDV are inactive at the same time. This ensures that link is not brought up in the middle of transmitting or receiving a packet. To ensure link establishment, Cortina recommends no packet transmission into the MII interface until link is established.

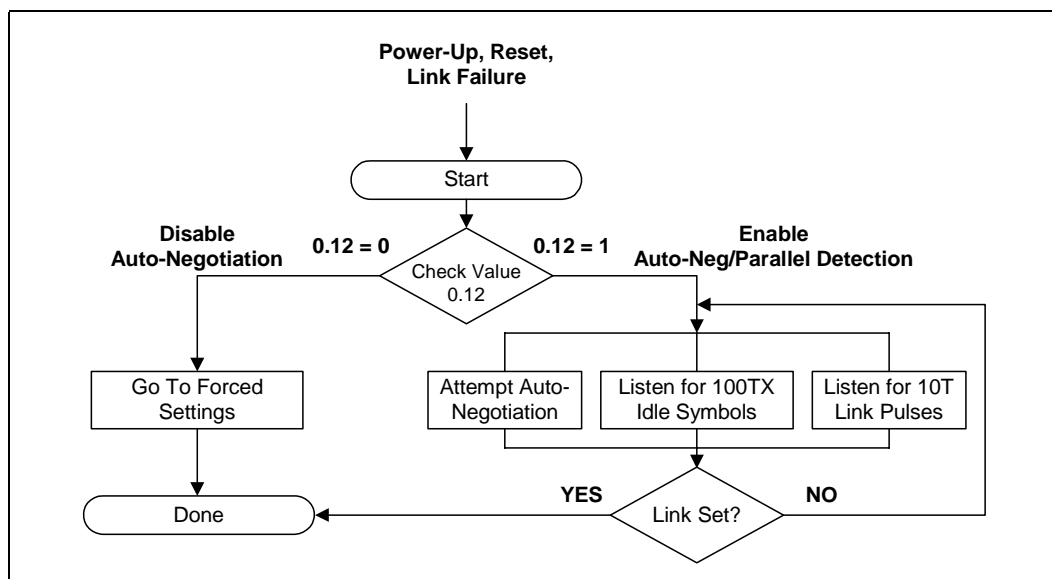
The IEEE Standard references this requirement in Section 14.2.3 State Diagrams, Figure 14-6-Link Integrity Test Function State Diagram and in Section 28.3.4 State Diagrams, Figure 28-17-NLP Receive Link Integrity Test State Diagram. These diagrams illustrate that while the PHY is in the Link Test Fail Extend state, the last state before Link Pass state) Packet receive activity (RD) and Transmit Activity (DO) must be idle (RD = idle \* DO = idle) for link to establish.

#### 4.6.1.5 Parallel Detection

In parallel with auto-negotiation, the LXT9785/LXT9785E also monitors for 10 Mbps Normal Link Pulses (NLP) or 100 Mbps Idle symbols. If either symbol is detected, the device automatically reverts to the corresponding operating speed in half-duplex mode. Parallel detection allows the LXT9785/LXT9785E to communicate with devices that do not support auto-negotiation.

When parallel detection resolves a link, the link must be established in half-duplex mode. According to IEEE standards, the forced link partner cannot be configured to full-duplex. If the auto-negotiation link partner does not advertise half-duplex capability at the speed of the forced link partner, link is not established. The IEEE Standard prevents forced full-duplex-to-half-duplex link connections.

**Figure 14 Auto-Negotiation Operation**



**4.6.1.6 Reliable Link Establishment While Auto MDI/MDIX is Enabled in Forced Speed Mode**

With auto MDI/MDIX hardware enabled, end users experience reliable link establishment under all settings of auto MDI/MDIX and speed between the LXT9785/LXT9785E and its link partners. As stated in the IEEE clauses 40.4.5.1 (Auto MDI/MDIX) and 28.3.2 (Parallel Detect), when ports are forced to 10 Mbps or 100 Mbps and auto MDI/MDIX is enabled, and the port is connected to a partner with auto-negotiation enabled, an undefined condition exists between the IEEE auto MDIX and Parallel Detect specifications. Link may not occur according to the IEEE specification.

During this undefined condition, when the LXT9785/LXT9785E is set to 10 Mbps or 100 Mbps and auto MDI/MDIX is enabled, the LXT9785/LXT9785E and the link partner auto-negotiation processes are expected to be skewed enough to establish link in all but the rarest cases. Auto MDI/MDIX is configured through hardware and software. If auto MDI/MDIX operation is desired in forced modes, disabling auto MDI/MDIX using the software programming can aid link establishment.

**4.7 Serial MII Operation**

The LXT9785/LXT9785E exchanges transmit and receive data with the controller via the Serial MII (SMII). The SMII performs the following functions:

- Conveys complete MII information between a 10/100 PHY and MAC with two pins per port.
- Allows a multi-port MAC/PHY communication with one system clock.
- Operates in both half and full-duplex.
- Supports per-packet switching between 10 Mbps and 100 Mbps data rates.



The Serial MII operates at 125 MHz using a global reference clock and frame synchronization signal (REFCLK and SYNC). Each port has an individual two-line data interface (TxData and RxData). All signals are synchronous to REFCLK. [Table 43](#) summarizes the SMII signals.

Data is exchanged in 10-bit serial words. Each word contains one data byte (two nibbles of 4B coded data) and two status bits. When the port is operating at 100 Mbps, each word contains a new data byte. When the port is operating at 10 Mbps, each data byte is repeated 10 times.

**Table 43** SMII Signal Summary

| Signal | To        | From   | Purpose                 |
|--------|-----------|--------|-------------------------|
| TxData | PHY       | MAC    | Transmit data & control |
| SYNC   | PHY       | MAC    | Synchronization         |
| RxData | MAC       | PHY    | Receive data & control  |
| REFCLK | MAC & PHY | System | Synchronization         |

1. Refer to [Table 7, SMII Specific Signal Descriptions – PQFP](#), on [page 39](#) for detailed signal descriptions.

Figure 15 Typical SMI Interface

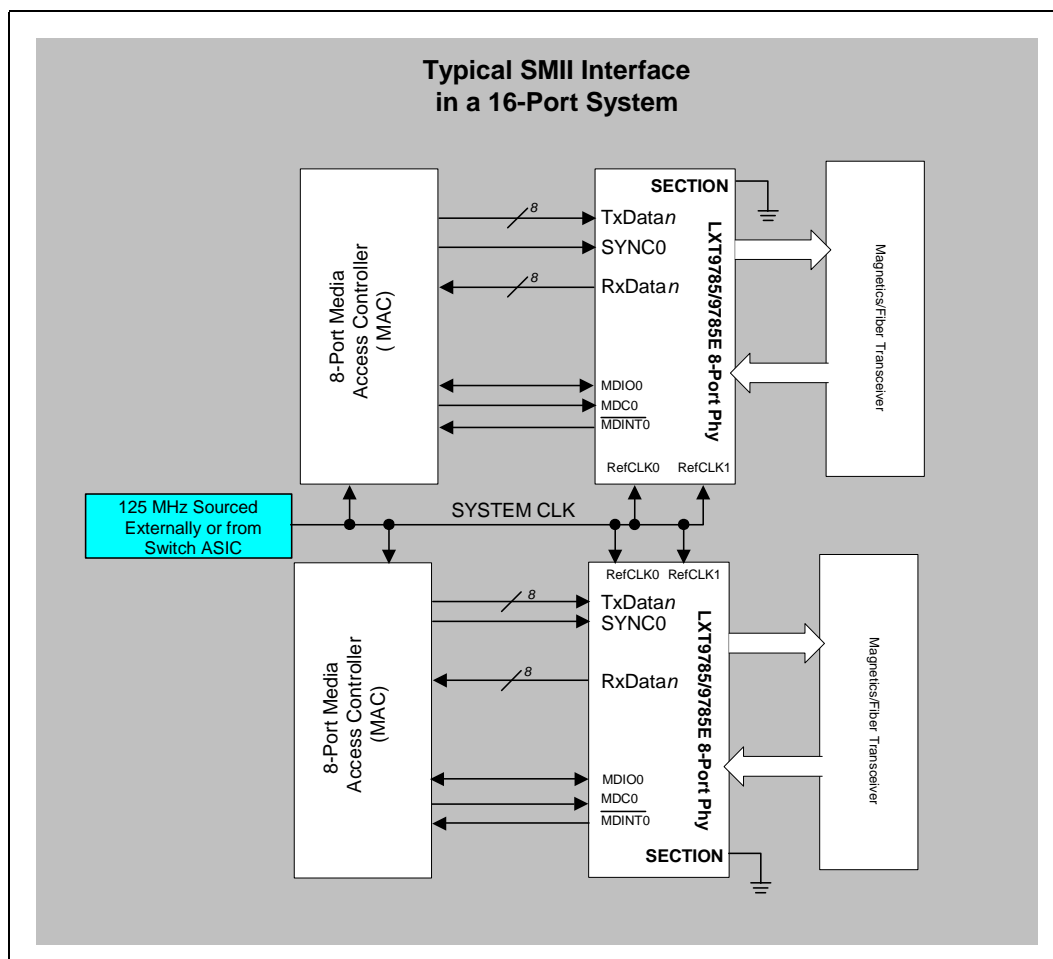
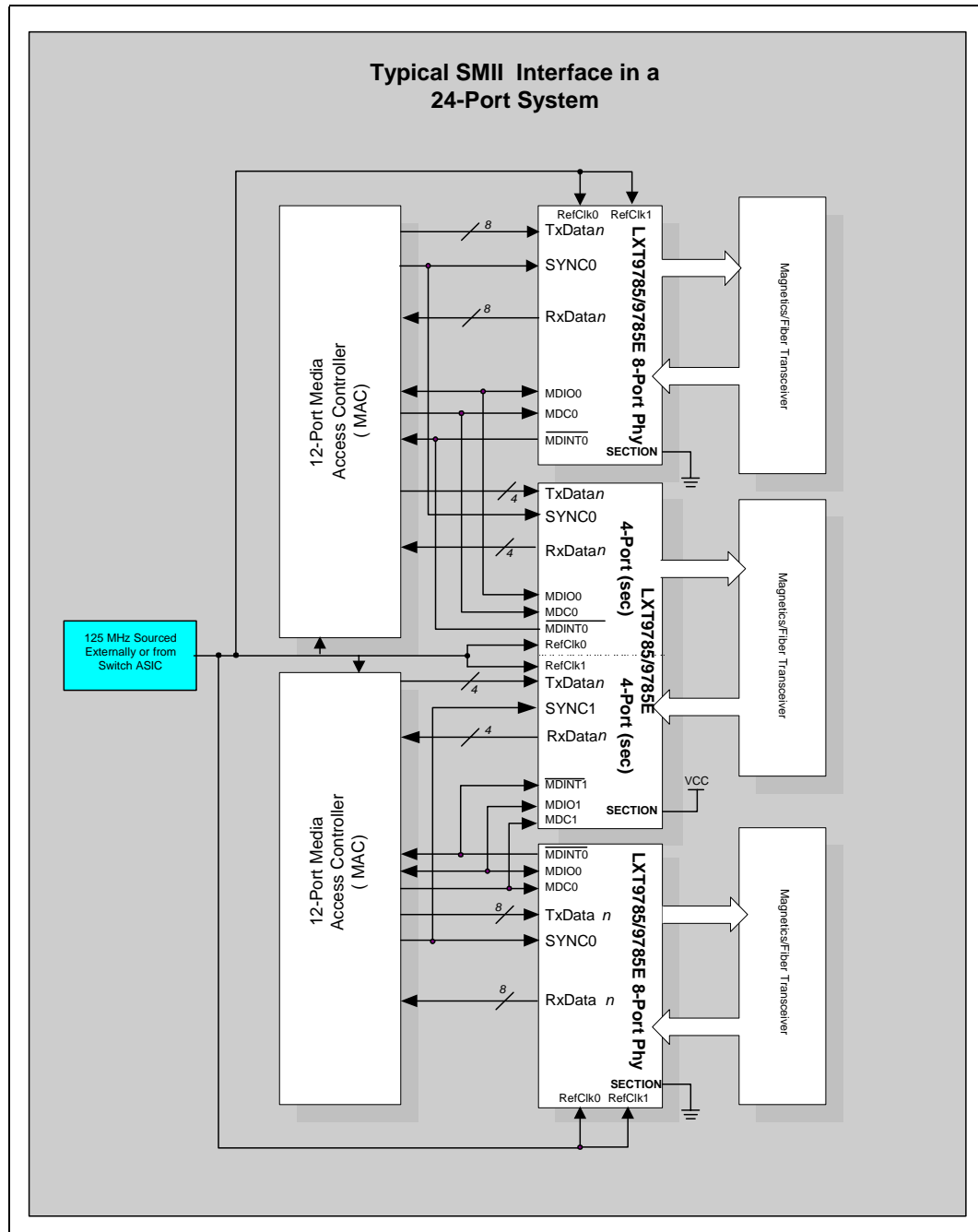
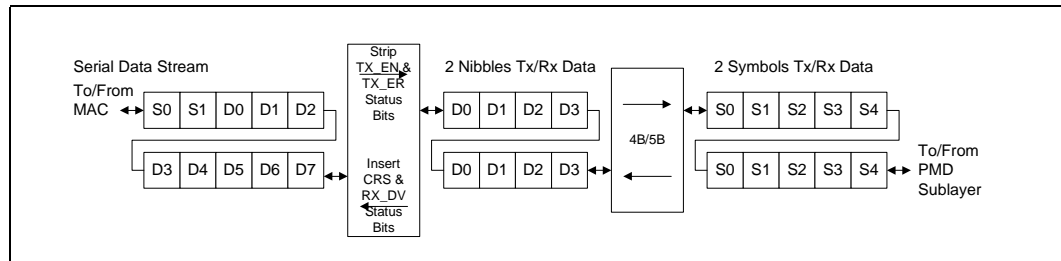


Figure 16 Typical SMII Quad Sectionalization



**Figure 17 100 Mbps Serial MII Data Flow**



### 4.7.1 SMII Reference Clock

The REFCLK operates at 125 MHz. The transmit and receive data and control streams must always be synchronized to the REFCLK by the MAC and PHY. The LXT9785/LXT9785E samples these signals on the rising edge of the REFCLK.

### 4.7.2 TxSYNC Pulse (SMII/SS-SMII)

The TxSYNC pulse delimits segment boundaries and synchronizes with REFCLK. The MAC must continuously generate a TxSYNC pulse once every 10 REFCLK cycles. The TxSYNC pulse signals the start of each new segment (see [Figure 21 on page 136](#)).

### 4.7.3 Transmit Data Stream

Transmit data and control information are signaled in ten-bit segments. In 100 Mbps mode, each segment contains a new byte of data. In 10 Mbps mode, the MAC must repeat a 10M serial word ten times on TxData. The LXT9785/LXT9785E may sample that serial word at any point.

The TxSYNC pulse signals the start of a new segment as shown in [Figure 18](#).

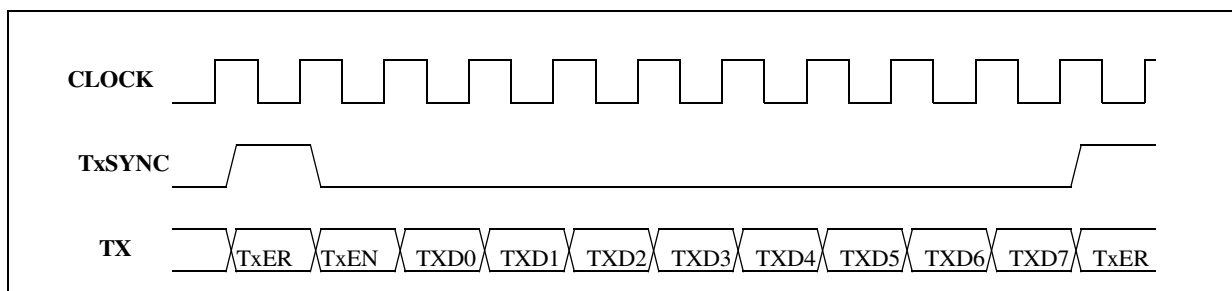
#### 4.7.3.1 Transmit Enable

The MAC must assert the TxEN bit in each segment of TxData, and de-assert TxENn after the last segment of the packet.

#### 4.7.3.2 Transmit Error

When the MAC asserts the TxER bit in 100BASE-X mode, the LXT9785/LXT9785E drives “H” symbols onto the network interface. TxER does not have any function in 10M operation.

**Figure 18 Serial MII Transmit Synchronization**



#### 4.7.4 Receive Data Stream

Receive data and control information are signalled in ten-bit segments. In 100 Mbps mode, each segment contains a new byte of data. In 10 Mbps mode, each segment is repeated ten times (except for the CRS bit), and the MAC can sample any of the ten segments.

##### 4.7.4.1 Carrier Sense

The CRS bit (slot 0) is generated when a packet is received from the network interface. The CRS bit is set in real time, even in 10 Mbps mode (all other bits are repeated in 10 sequential segments).

##### 4.7.4.2 Receive Data Valid

The LXT9785/LXT9785E asserts the RX\_DV bit (slot 1) when it receives a valid packet. The assertion timing changes depending on line operating speed:

- For 100BASE-TX and 100BASE-FX links, the RX\_DV bit is asserted from the first nibble of preamble to the last nibble of the data packet.
- For 10BASE-T links, the entire preamble is truncated. The RX\_DV bit is asserted with the first nibble of the Start-of-Frame Delimiter (SFD) “5D” and remains asserted until the end of the packet.

##### 4.7.4.3 Receive Error

When the LXT9785/LXT9785E receives an invalid symbol from the network in 100BASE-TX mode, it drives “0101” on the associated RxData signals.

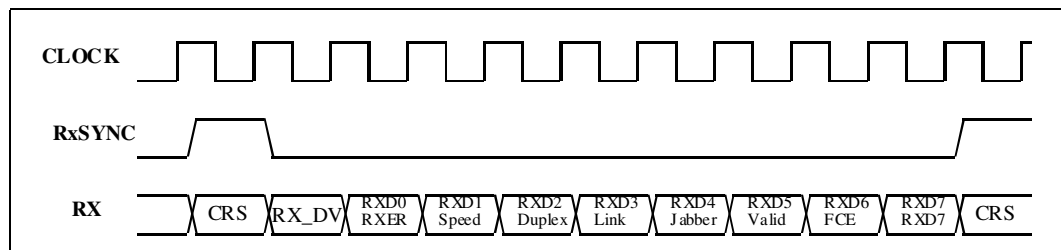
##### 4.7.4.4 Receive Status Encoding

The LXT9785/LXT9785E encodes status information onto the RxData line during IPG as seen in [Table 44 on page 134](#). Status bit RxData<5> indicates the validity of the upper nibble (RxData<7:4> of the last byte of the previous frame). RxData and RX\_DV are passed through the internal elasticity FIFO to smooth any clock rate differences between the recovered clock and the 125 MHz reference clock.

#### 4.7.5 Collision

The SMII interface does not provide a collision output and relies on the MAC to interpret COL conditions using CRS and TxEN. CRS is unaffected by the transmit path.

**Figure 19** Serial MII Receive Synchronization



**Table 44 RX Status Encoding Bit Definitions**

| Signal   | Definition  |  |
|--|---|--|
| CRS  | Carrier Sense - identical to MII, except that it is not an asynchronous signal.   |  |
| RxDV   | Receive Data Valid - identical to MII. When RX_DV = 0, status information is transmitted to the MAC. When RX_DV = 1, received data is transmitted to the MAC. | 0 = Status Byte<br>1 = Valid Data Byte |
| RxER<br>(RxData0)  | Inter-frame status bit RxData0 indicates whether or not the PHY detected an error somewhere in the previous frame.  | 0 = No Error<br>1 = Error              |
| SPEED<br>(RxData1)   | Inter-frame status bit RxData1 indicates port operating speed.  | 0 = 10 Mbps<br>1 = 100 Mbps            |
| DUPLEX<br>(RxData2)  | Inter-frame status bit RxData2 indicates port duplex condition.   | 0 = Half-duplex<br>1 = Full-duplex     |
| LINK<br>(RxData3)  | Inter-frame status bit RxData3 indicates port link status.  | 0 = Down<br>1 = Up                     |
| JABBER<br>(RxData4)  | Inter-frame status bit RxData4 indicates port jabber status.  | 0 = OK<br>1 = Error                    |
| VALID<br>(RxData5)   | Inter-frame status bit RxData5 conveys the validity of the upper nibble of the last byte of the previous frame  | 0 = Invalid<br>1 = Valid               |
| False Carrier<br>(RxData6)   | Inter-frame status bit RxData6 indicates whether or not the PHY has detected a false carrier event.   | 0 = No FC detected<br>1 = FC detected  |
| RxData7  | This bit is set to 1.   |  |
| 1. Both RxData0 and RxData5 bits are valid in the segment immediately following a frame, and remain valid until the first data segment of the next frame begins. |   |  |

### 4.7.6 Source Synchronous-Serial Media Independent Interface

Some system designs require the PHY to be placed between 3 to 12 inches away from the MAC. A new Source Synchronous-Serial Media Independent Interface (SS-SMII) definition has been added because of this requirement. To provide a source synchronous interface between the PHY and MAC, the PHY must drive the RxCLK and the RxSYNC signals to the MAC. Also, the MAC must drive the TxCLK and the TxSYNC signal to the PHY. The REFCLK is also needed to synchronize the data to the PHY's core clock domain. TxData is clocked in using TxCLK and then synchronized to REFCLK and transmitted to the twisted-pair. The RxData is synchronized to the RxCLK. See [Figure 23 on page 137](#).

**Table 45 SS-SMII**

| Signal | To  | From   | Purpose                 |
|--------|-----|--------|-------------------------|
| TxData | PHY | MAC    | Transmit data & control |
| TxCLK  | PHY | MAC    | Transmit clock          |
| TxSYNC | PHY | MAC    | Synchronization pulses  |
| RxData | MAC | PHY    | Receive data & control  |
| RxCLK  | MAC | PHY    | Receive clock           |
| RxSYNC | MAC | PHY    | Receive Synchronization |
| REFCLK | MAC | System | Synchronization         |

Figure 20 Typical SS-SMII Interface

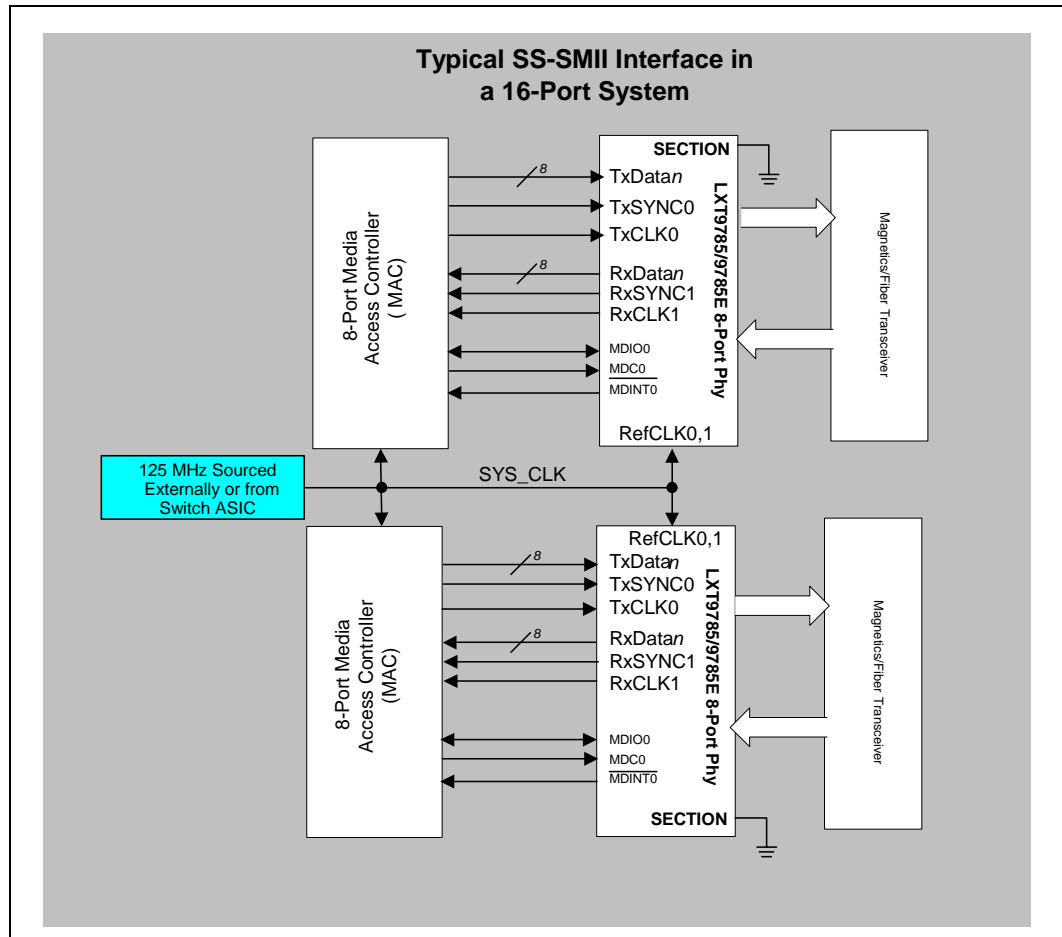
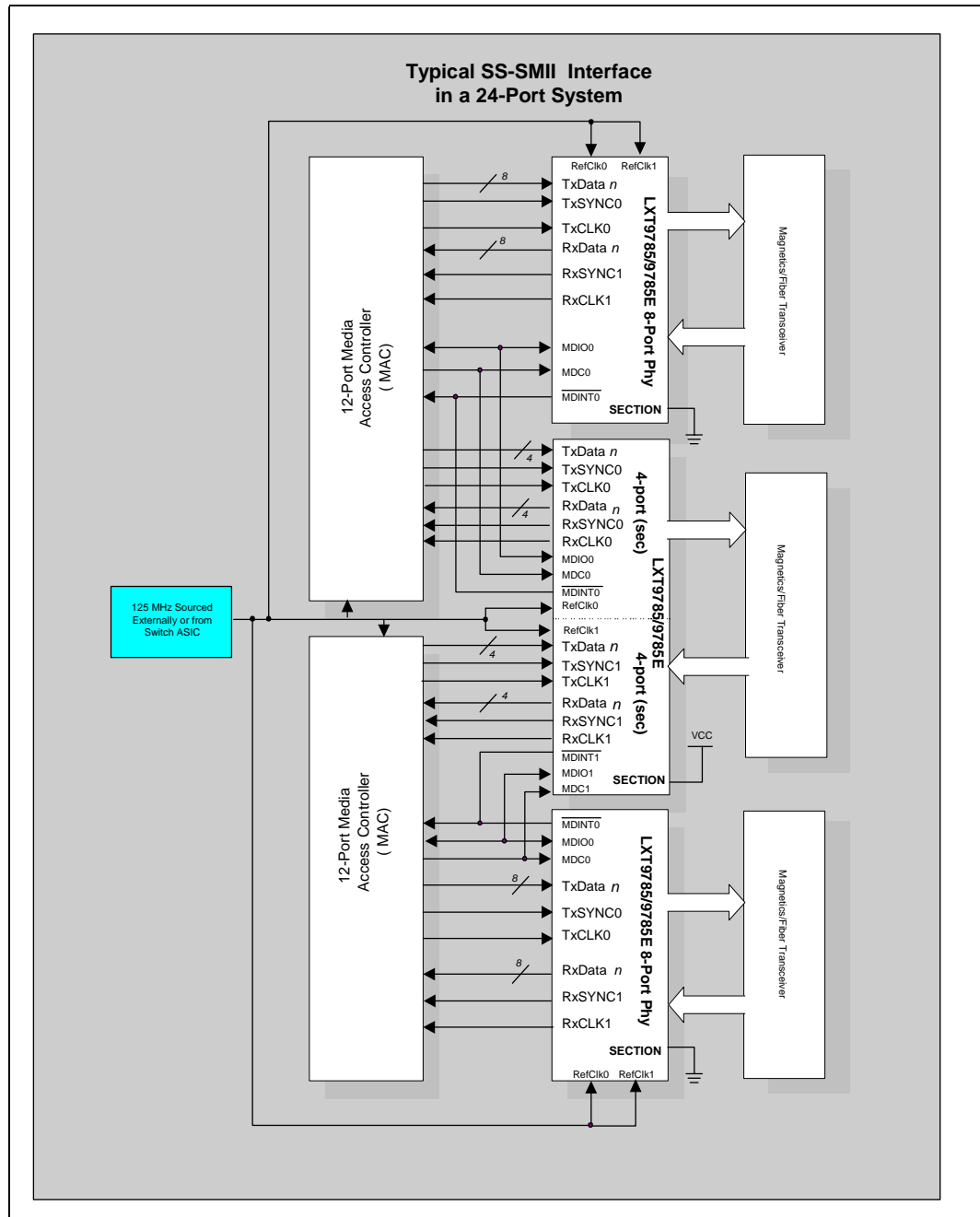
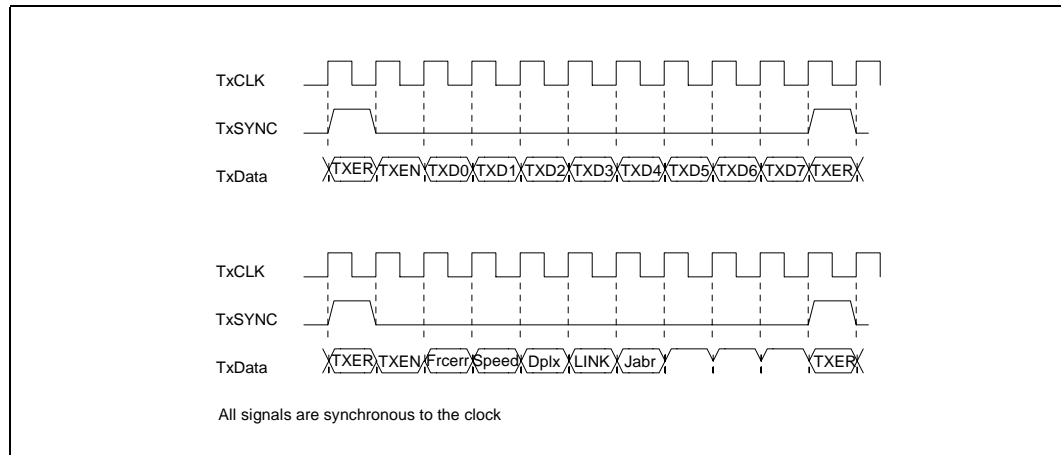


Figure 21 Typical SS-SMII Quad Sectionalization

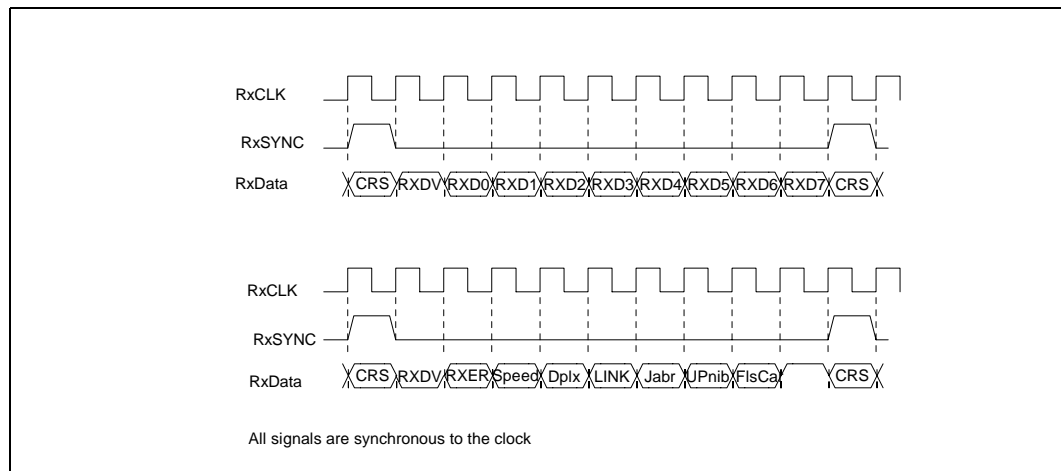




**Figure 22 SS-SMII Transmit Timing**



**Figure 23 SS-SMII Receive Timing**



## 4.8 RMII Operation

The LXT9785/LXT9785E provides an independent Reduced MII port for each network port. Each RMII uses four signals to pass received data to the MAC:  $RxDatan_{<1:0>}$ ,  $RxERn$ , and  $CRS\_DVn$  (where  $n$  reflects the port number). Three signals are used to transmit data from the MAC:  $TxDatan_{<1:0>}$  and  $TxENn$ . Both receive and transmit signals are clocked by REFCLK. Data transmission across the RMII is implemented in di-bit pairs which equal a 4-bit wide nibble.

**Note:** The BGA15 package does not support the RMII interface.

### 4.8.1 RMII Reference Clock

The LXT9785/LXT9785E requires a 50 MHz reference clock (REFCLK). The device samples the RMII input signals on the rising edge of REFCLK and drives RMII output signals on the falling edge.

### 4.8.2 Transmit Enable

TxEN $n$  must be asserted and de-asserted synchronously with REFCLK. The MAC must assert TxEN $n$  at the same time as the first nibble of preamble. TxEN $n$  must be de-asserted after the last bit of the packet.

### 4.8.3 Carrier Sense & Data Valid

The LXT9785/LXT9785E asserts CRS\_DV $n$  when it detects activity on the line. However, RxData $n$  outputs zeros until the received data is decoded and available for transfer to the controller.

### 4.8.4 Receive Error

Whenever the LXT9785/LXT9785E receives an error symbol from the network, it asserts RxER $n$ . When it detects a bad Start-of-Stream Delimiter (SSD) it drives a “10” jam pattern on the RxData pins to indicate a false carrier event.

### 4.8.5 Out-of-Band Signaling

The LXT9785/LXT9785E has the capability of encoding status information in the RxData stream during IPG. See 4B/5B Coding Operations

The 100BASE-X protocol specifies the use of a 5-bit symbol code on the network media. However, data is normally transmitted across the RMII interface in 2-bit nibbles or “di-bits”. The LXT9785/LXT9785E incorporates a parallel/serial converter that translates between di-bit pairs and 4-bit nibbles, and a 4B/5B encoder/decoder circuit that translates between 4-bit nibbles and 5-bit symbols for the 100BASE-X connection. Figure 24 shows the data conversion flow from nibbles to symbols. Table 46 on page 142 shows 4B/5B symbol coding (not all symbols are valid).

Figure 24 RMII Data Flow

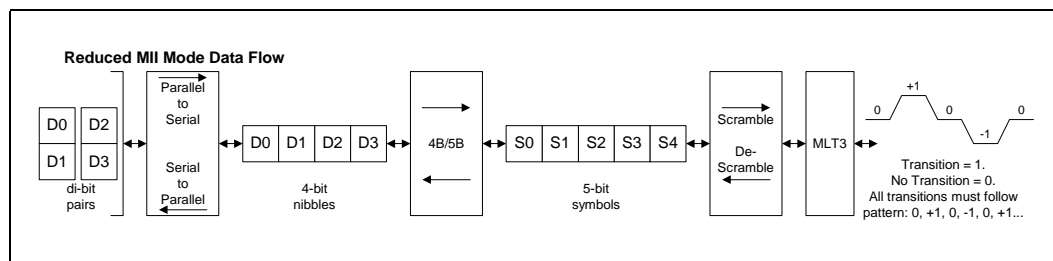


Figure 25 Typical RMII Interface

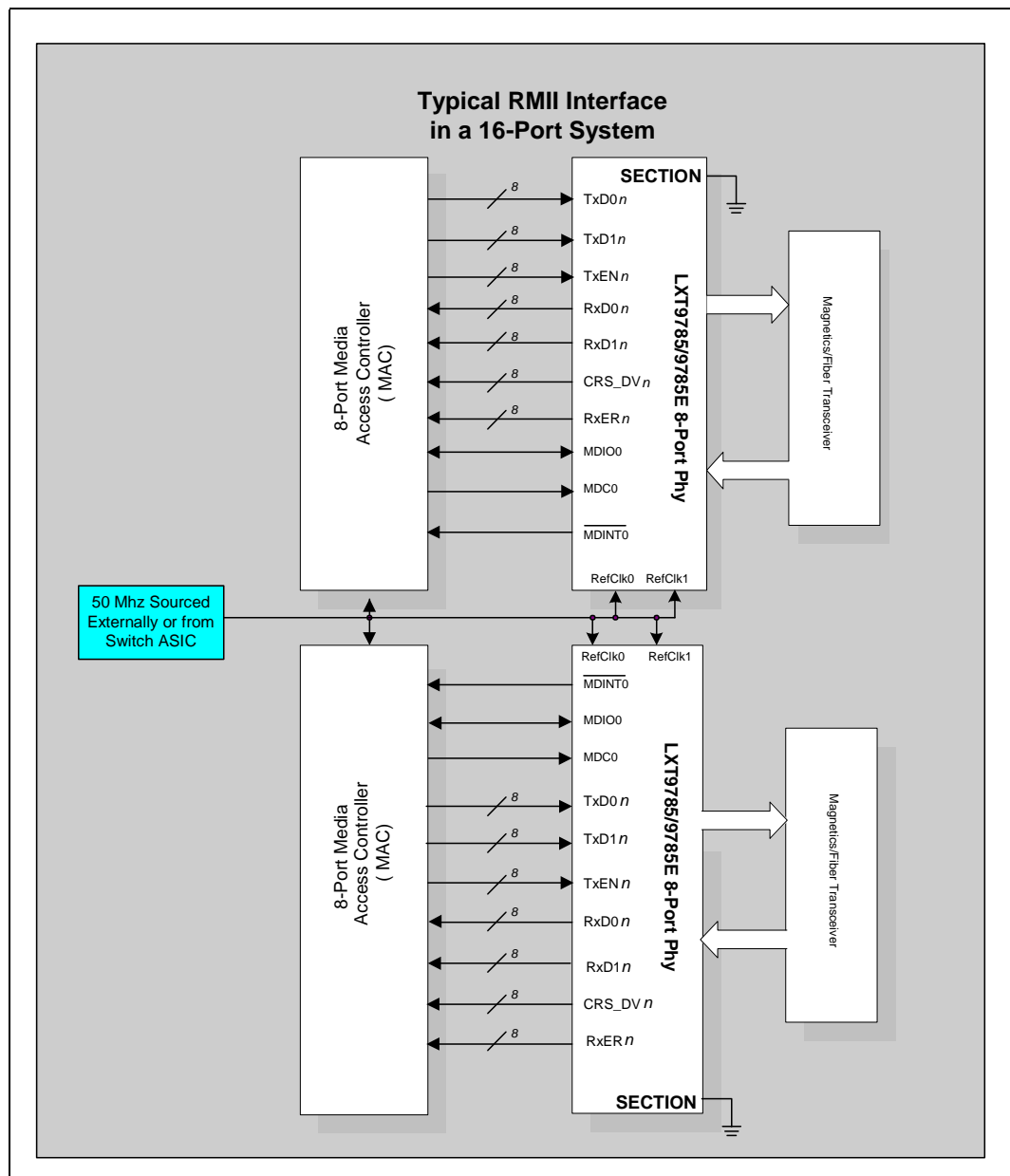
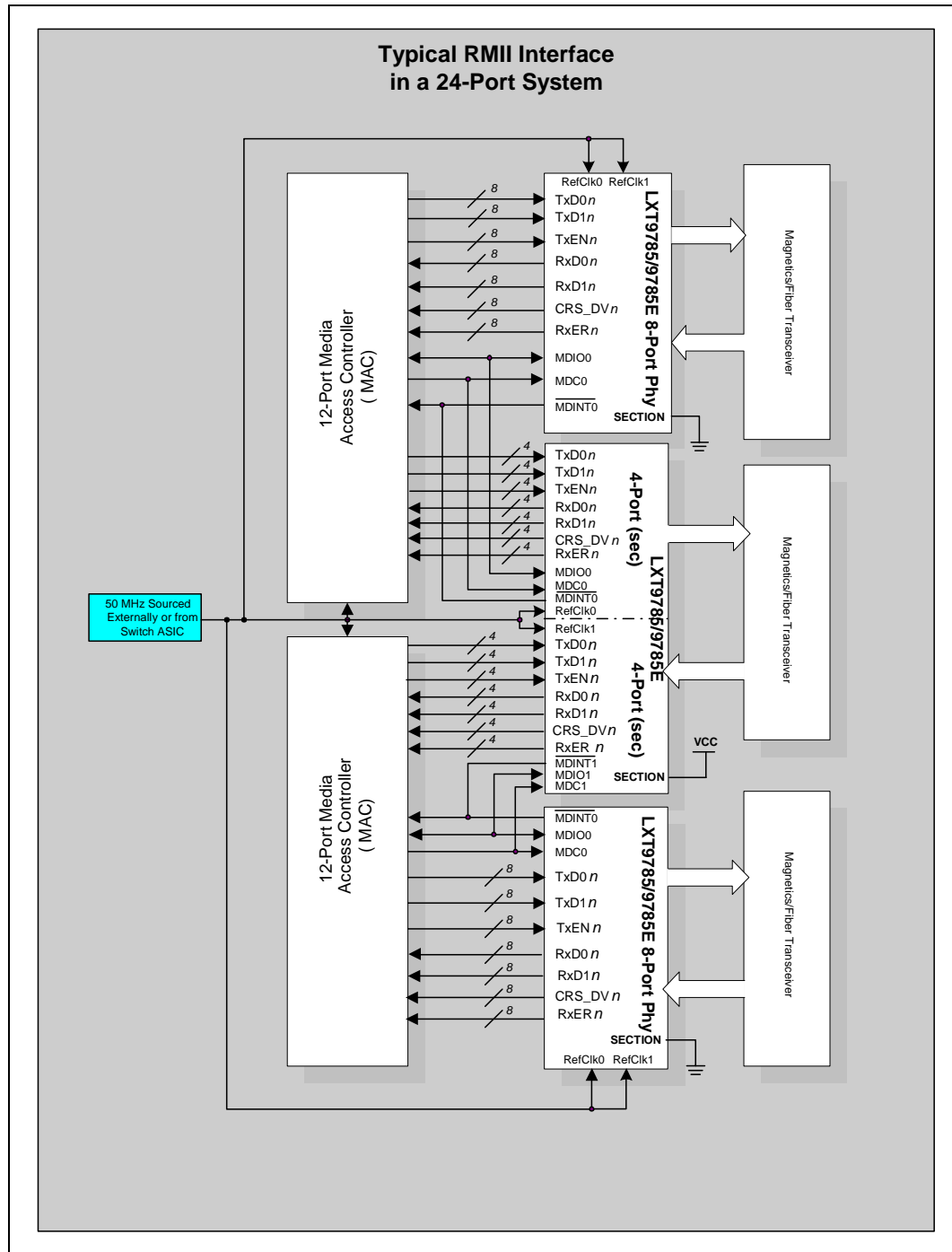


Figure 26 Typical RMII Quad Sectionalization



## 4.9 100 Mbps Operation

### 4.9.1 100BASE-X Network Operations

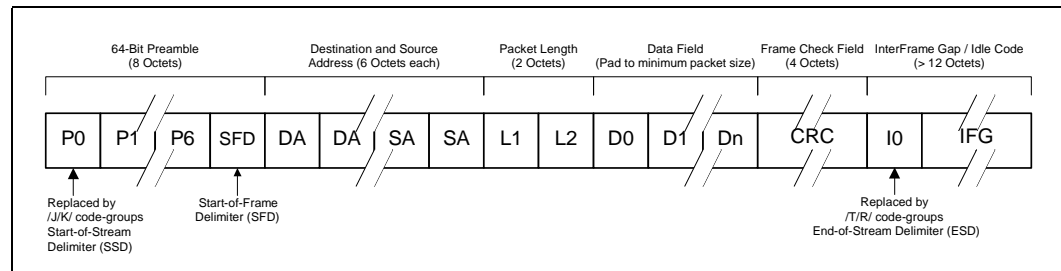
During 100BASE-X operation, the LXT9785/LXT9785E transmits and receives 5-bit symbols across the network link. Figure 27 shows the structure of a standard frame packet. When the MAC is not actively transmitting data, the LXT9785/LXT9785E sends out Idle symbols on the line.

In 100BASE-TX mode, the device scrambles the data and transmits it to the network using MLT-3 line code. The MLT-3 signals received from the network are de-scrambled and decoded, and sent across the RMII to the MAC.

In 100BASE-FX mode, the LXT9785/LXT9785E transmits and receives NRZI signals across the LVPECL interface. An external 100BASE-FX transceiver module is required to complete the fiber connection.

As shown in Figure 27, the MAC starts each transmission with a preamble pattern. As soon as the LXT9785/LXT9785E detects the start of preamble, it transmits a J/K Start-of-Stream Delimiter (SSD) symbol to the network. It then encodes and transmits the rest of the packet, including the balance of the preamble, the Start-of-Frame Delimiter (SFD), packet data, and CRC. Once the packet ends, the LXT9785/LXT9785E transmits the T/R End-of-Stream Delimiter (ESD) symbol and then returns to transmitting Idle symbols.

**Figure 27 100BASE-X Frame Format**



### 4.9.2 100BASE-X Protocol Sublayer Operations

In a 7-layer communications model, the LXT9785/LXT9785E is a Physical Layer 1 (PHY) device. The LXT9785/LXT9785E implements the Physical Coding Sublayer (PCS), Physical Medium Attachment (PMA), and Physical Medium Dependent (PMD) sublayers of the reference model defined by the IEEE 802.3u specification. The following paragraphs discuss the LXT9785/LXT9785E operation from the reference model point of view.

#### 4.9.2.1 PCS Sublayer

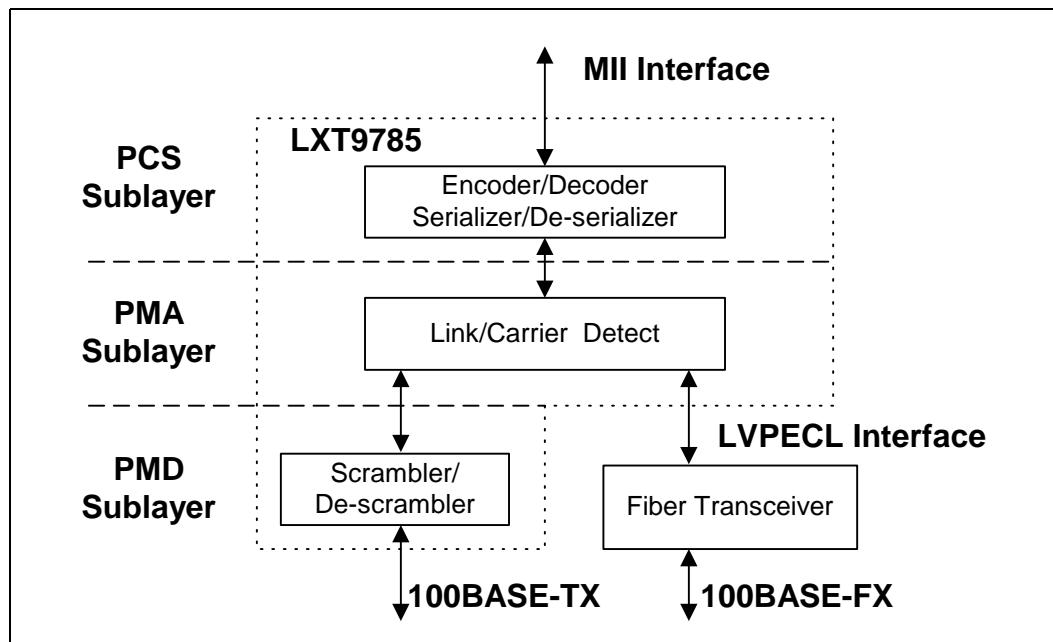
The Physical Coding Sublayer (PCS) provides the RMII interface, as well as the 4B/5B encoding/decoding function. For 100BASE-TX and 100BASE-FX operation, the PCS layer provides IDLE symbols to the PMD-layer line driver as long as TxEN is de-asserted. For 10T operation, the PCS layer merely provides a bus interface and serialization/de-serialization function. 10T operation does not use the 4B/5B encoder.

#### 4.9.2.1.1 Preamble Handling

When the MAC asserts TxEN, the PCS substitutes a /J/K/ symbol pair, also known as the Start-of-Stream Delimiter (SSD), for the first two nibbles received across the RMII. The PCS layer continues to encode the remaining RMII data until TxEN is de-asserted (see [Table 46 on page 142](#)). It then returns to supplying IDLE symbols to the line driver.

The PCS layer performs the opposite function in the receive direction by substituting two preamble nibbles for the SSD.

**Figure 28 Protocol Sublayers**



#### 4.9.3 PMA Sublayer

The 100BASE-X PMA protocol uses the 4B/5B data encoding scheme to encode/decode the data streams. The coding scheme is shown in [Table 46](#).

**Table 46 4B/5B Coding**

| Code Type | 4B Code<br>3 2 1 0 | Name | 5B Code<br>4 3 2 1 0 | Interpretation |
|-----------|--------------------|------|----------------------|----------------|
|           | 0 0 0 0            | 0    | 1 1 1 1 0            | Data 0         |
|           | 0 0 0 1            | 1    | 0 1 0 0 1            | Data 1         |
|           | 0 0 1 0            | 2    | 1 0 1 0 0            | Data 2         |
|           | 0 0 1 1            | 3    | 1 0 1 0 1            | Data 3         |
|           | 0 1 0 0            | 4    | 0 1 0 1 0            | Data 4         |
|           | 0 1 0 1            | 5    | 0 1 0 1 1            | Data 5         |

1. The /I/ (Idle) code group is sent continuously between frames.
2. The /J/ and /K/ (SSD) code groups are always sent in pairs; /K/ follows /J/.
3. The /T/ and /R/ (ESD) code groups are always sent in pairs; /R/ follows /T/.
4. An /H/ (Error) code group is used to signal an error condition.

**Table 46 4B/5B Coding**

| Code Type | 4B Code<br>3 2 1 0 | Name           | 5B Code<br>4 3 2 1 0 | Interpretation                                     |
|-----------|--------------------|----------------|----------------------|--|
|           | 0 1 1 0            | 6              | 0 1 1 1 0            | Data 6   |
| DATA      | 0 1 1 1            | 7              | 0 1 1 1 1            | Data 7   |
|           | 1 0 0 0            | 8              | 1 0 0 1 0            | Data 8   |
|           | 1 0 0 1            | 9              | 1 0 0 1 1            | Data 9   |
|           | 1 0 1 0            | A              | 1 0 1 1 0            | Data A   |
|           | 1 0 1 1            | B              | 1 0 1 1 1            | Data B   |
|           | 1 1 0 0            | C              | 1 1 0 1 0            | Data C   |
|           | 1 1 0 1            | D              | 1 1 0 1 1            | Data D   |
|           | 1 1 1 0            | E              | 1 1 1 0 0            | Data E   |
|           | 1 1 1 1            | F              | 1 1 1 0 1            | Data F   |
| IDLE      | undefined          | I <sup>1</sup> | 1 1 1 1 1            | Idle. Used as inter stream fill code.              |
|           | 0 1 0 1            | J <sup>2</sup> | 1 1 0 0 0            | Start-of-Stream Delimiter (SSD),<br>part 1 of 2.   |
| CONTROL   | 0 1 0 1            | K <sup>2</sup> | 1 0 0 0 1            | Start-of-Stream Delimiter (SSD),<br>part 2 of 2.   |
|           | undefined          | T <sup>3</sup> | 0 1 1 0 1            | End-of-Stream Delimiter (ESD),<br>part 1 of 2.     |
|           | undefined          | R <sup>3</sup> | 0 0 1 1 1            | End-of-Stream Delimiter (ESD),<br>part 2 of 2.     |
|           | undefined          | H <sup>4</sup> | 0 0 1 0 0            | Transmit Error. Used to force<br>signaling errors. |
|           | undefined          | Invalid        | 0 0 0 0 0            | Invalid  |
|           | undefined          | Invalid        | 0 0 0 0 1            | Invalid  |
|           | undefined          | Invalid        | 0 0 0 1 0            | Invalid  |
| INVALID   | undefined          | Invalid        | 0 0 0 1 1            | Invalid  |
|           | undefined          | Invalid        | 0 0 1 0 1            | Invalid  |
|           | undefined          | Invalid        | 0 0 1 1 0            | Invalid  |
|           | undefined          | Invalid        | 0 1 0 0 0            | Invalid  |
|           | undefined          | Invalid        | 0 1 1 0 0            | Invalid  |
|           | undefined          | Invalid        | 1 0 0 0 0            | Invalid  |
|           | undefined          | Invalid        | 1 1 0 0 1            | Invalid  |

1. The /I/ (Idle) code group is sent continuously between frames.  
 2. The /J/ and /K/ (SSD) code groups are always sent in pairs; /K/ follows /J/.  
 3. The /T/ and /R/ (ESD) code groups are always sent in pairs; /R/ follows /T/.  
 4. An /H/ (Error) code group is used to signal an error condition.

**4.9.3.1 Link**

In 100 Mbps mode, the LXT9785/LXT9785E establishes a link whenever the descrambler becomes locked and remains locked for approximately 50 ms. Whenever the descrambler loses lock (<16 consecutive idle symbols during a 2 ms window), the link is taken down. This provides a robust link, filtering out any small noise hits that may otherwise disrupt the link. Furthermore, 100 Mbps idle patterns will not bring up a 10 Mbps link.

The LXT9785/LXT9785E reports link failure via the Register status bits (1.2, 17.10, and 19.4) and interrupt functions. If auto-negotiate is enabled, link failure causes the device to re-negotiate.

#### 4.9.3.2 Link Failure Override

The LXT9785/LXT9785E normally transmits 100 Mbps data packets or Idle symbols only if it detects the link is up, and transmits only FLP bursts if the link is not up. Setting bit 16.14 = 1 overrides this function, allowing the LXT9785/LXT9785E to transmit data packets even when the link is down. This feature is provided as a diagnostic tool.

**Note:** Auto-negotiation must be disabled to transmit data packets in the absence of link. If auto-negotiation is enabled, the LXT9785/LXT9785E automatically begins transmitting FLP bursts if the link goes down.

#### 4.9.3.3 Carrier Sense/Data Valid (RMII)

The LXT9785/LXT9785E asserts CRS\_DV whenever the respective port receiver is in a non-idle state (as defined by the RMII Specification Revision 1.2), including false carrier events. Assertion of CRS\_DV is asynchronous with respect to REFCLK. In the event that signal decoding is not complete when CRS\_DV is asserted, the LXT9785/LXT9785E outputs 00 on the RxData1:0 lines until the decoded data are available.

When the line returns to an idle state, CRS\_DV is de-asserted synchronously with respect to REFCLK. If the FIFO still contains data to be passed to the MAC via the RMII when CRS is de-asserted, CRS\_DV toggles on nibble boundaries until the FIFO is empty. For 100BASE-X signals, CRS\_DV toggles at 25 MHz. For 10BASE-T signals, CRS\_DV toggles at 2.5 MHz.

#### 4.9.3.4 Carrier Sense (SMII)

For 100BASE-TX and 100BASE-FX links, a Start-of-Stream Delimiter (SSD) or /J/K/ symbol pair causes assertion of carrier sense (CRS). An End-of-Stream Delimiter (ESD), or /T/R/ symbol pair causes de-assertion of CRS. The PMA layer also de-asserts CRS if IDLE symbols are received without /T/R/. In this event, receive error is indicated during the IPG until the next packet is received.

For 10T links, CRS assertion is based on receipt of valid preamble, and de-assertion on receipt of an End-of-Frame (EOF) marker.

#### 4.9.3.5 Receive Data Valid (SMII)

The LXT9785/LXT9785E asserts the RX\_DV bit when it receives a valid packet. However, RxData outputs zeros until the received data are decoded and available for transfer to the controller.

#### 4.9.3.6 Twisted-Pair PMD Sublayer

The twisted-pair Physical Medium Dependent (PMD) layer provides the signal scrambling and descrambling, line coding and decoding (MLT-3 for 100BASE-TX, Manchester for 10T), as well as receiving, polarity correction, and baseline wander correction functions.

##### 4.9.3.6.1 Scrambler/Descrambler (100BASE-TX Only)

The purpose of the scrambler is to spread the signal power spectrum and further reduce EMI using an 11-bit, non-data-dependent polynomial. The receiver automatically decodes the polynomial whenever IDLE symbols are received.



The scrambler/descrambler can be bypassed by setting Register bit 16.12 = 1. The scrambler is automatically bypassed when the fiber port is enabled. Scrambler bypass is provided for diagnostic and test support.

#### 4.9.3.6.2 Baseline Wander Correction

The LXT9785/LXT9785E provides a baseline wander correction function which makes the device robust under all network operating conditions. The MLT3 coding scheme used in 100BASE-TX is, by definition, “unbalanced”. This means that the DC average value of the signal voltage can “wander” significantly over short time intervals (tenths of seconds). This wander may cause receiver errors, particularly in less robust designs, at long line lengths (100 meters). The exact characteristics of the wander are completely data dependent.

The LXT9785/LXT9785E baseline wander correction characteristics allow the device to recover error-free data while receiving worst-case “killer” packets over all cable lengths.

#### 4.9.3.6.3 Polarity Correction

The LXT9785/LXT9785E automatically detects and corrects for the condition where the receive signal (TPFIP/N) is inverted. Reversed polarity is detected if eight inverted link pulses or four inverted End-of-Frame (EOF) markers are received consecutively. If link pulses or data are not received by the maximum receive time-out period, the polarity state is reset to a non-inverted state. Before the polarity switch occurs, every frame is inverted and causes RxER to assert. The specific number of RxER events observed depends on how many link pulses occur between packets.

#### 4.9.3.7 Fiber PMD Sublayer

The LXT9785/LXT9785E provides an LVPECL interface for connection to an external 3.3 V or 5 V fiber transceiver. (The external transceiver provides the PMD function for the optical medium.) The LXT9785/LXT9785E uses a 125 Mbaud NRZI format for the fiber interface, and does not support 10BASE-FL applications.

**Note:** The BGA15 package does not support fiber interface.

#### 4.9.3.7.1 Far End Fault Indications

The LXT9785/LXT9785E Signal Detect pins independently detect signal faults from the local fiber transceivers via the SD pins. The device also uses Register bit 1.4 to report Remote Fault indications received from its link partner. The device “ORs” both fault conditions to set bit 1.4. Register bit 1.4 is set once and clears when read.

The far-end fault detection process in fiber operation requires idles to establish link. Link will not establish if a far-end fault pattern is the initial signal detected.

Either fault condition causes the LXT9785/LXT9785E to drop the link unless Forced Link Pass is selected (16.14 = 1). Link down condition is then reported via interrupts and status bits.

In response to locally detected signal faults (SD activated by the local fiber transceiver), the affected port can transmit the far end fault code if fault code transmission is enabled by Register bit 16.2.

- When Register bit 16.2 = 1, transmission of the far end fault code is enabled. The LXT9785/LXT9785E transmits far end fault code if fault conditions are detected by the Signal Detect pins.

- When Register bit 16.2 = 0, the LXT9785/LXT9785E does not transmit far end fault code. It continues to transmit idle code and may or may not drop link depending on the setting for Register bit 16.14.

The occurrence of a Far End Fault causes all transmission of data from the Reconciliation Sublayer to stop and the Far End fault code to begin. The Far End Fault code consists of 84 ones's followed by a single "0" and is repeated until the Far End Fault condition is removed.

## 4.10 10 Mbps Operation

The LXT9785/LXT9785E operates as a standard 10BASE-T transceiver and supports all the standard 10 Mbps functions. During 10BASE-T (10T) operation, the LXT9785/LXT9785E transmits and receives Manchester-encoded data across the network link. When the MAC is not actively transmitting data, the device sends out link pulses on the line.

In 10T mode, the polynomial scrambler/descrambler is inactive. Manchester-encoded signals received from the network are decoded by the LXT9785/LXT9785E and sent across the MII to the MAC.

**Note:** The LXT9785/LXT9785E does not support fiber connections at 10 Mbps.

### 4.10.1 Preamble Handling

The LXT9785/LXT9785E offers two options for preamble handling, which are selected by Register bit 16.5. In 10BASE-T mode, when Register bit 16.5 = 0, the device strips the preamble off the received packets. In RMII and the SMII modes, the CRS signal is asserted based upon receive activity. In the SMII modes, Out-of-Band (OOB) signaling is present until the SFD is output. The DV signal is initially asserted in the frame that the SFD is output. In RMII mode, zeros are output after receive activity is detected until the SFD is output. The packet is output following the SFD.

When Register bit 16.5 = 1 in 10BASE-T mode, the LXT9785/LXT9785E passes the preamble through the RMII and the SMII interfaces. In RMII and the SMII modes, the CRS signal is asserted based upon receive activity. In the SMII modes, OOB signaling is continued until preamble is available from the receive FIFO. After the preamble, the SFD is output with the initial assertion of the DV signal. The RMII interface outputs zeros after receive activity is detected until preamble is available from the FIFO. The number of zero nibbles output before preamble is based upon the FIFO initial fill settings (Register bits 18.15:14). The preamble is followed by the SFD and the packet body. Register bit 16.5 has no effect in 100 Mbps operation.

### 4.10.2 Dribble Bits

The LXT9785/LXT9785E device handles dribble bits in all modes. If one through four dribble bits are received, the nibble is passed across the RMII. If five through seven dribble bits are received, the second nibble is not sent onto the RMII bus.

### 4.10.3 Link Test

The LXT9785/LXT9785E always transmits link pulses in 10T mode. When enabled, the link test function monitors the connection for link pulses. Once link pulses are detected, data transmission is enabled and remains enabled as long as either the link pulses or data transmission continue. If link pulses stop, the data transmission is disabled.

If the link test function is disabled, the LXT9785/LXT9785E transmits to the connection regardless of detected link pulses. The link test function is disabled by setting Register bit 16.14 = 1.

#### 4.10.3.1 Link Failure

Link failure occurs if Link Test is enabled and link pulses or packets stop being received. If this condition occurs, the LXT9785/LXT9785E returns to the auto-negotiation phase if auto-negotiation is enabled.

#### 4.10.4 Jabber

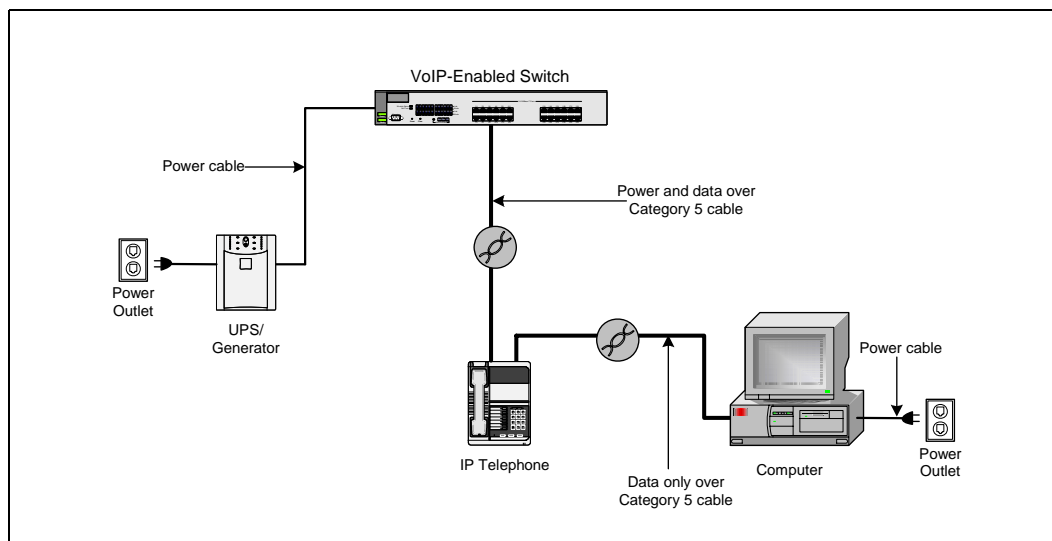
If a transmission exceeds the jabber timer, the LXT9785/LXT9785E disables the transmit and loopback functions and the Collision Status bit (Register bit 17.11) is set regardless of duplex. The jabber timer, according to the IEEE standard, must be between 20 ms to 150 ms. The RMII does not include a Jabber pin, but the MAC may read Register 1 to determine jabber status. The LXT9785/LXT9785E automatically exits jabber mode after the unjab time expires. This function is disabled by setting Register bit 16.10 = 1.

### 4.11 DTE Discovery Process

The DTE discovery process is port dependent and must be enabled through software. The process is implemented as a next page option to the auto-negotiation flow. When the process is enabled, manual control of auto-negotiation next pages is not allowed. This feature applies to the LXT9785E transceiver only.

The process depends upon an IP phone, or any other DTE capable of being powered remotely, having a specific filter that passes NLPs and FLPs. This filter should be non-polarized to insure that the latest status of Auto-MDIX operation does not effect operation. This filter attenuates 100 Mbps MLT3 signals and 10 Mbps Manchester-encoded signals, and must be bypassed when power is applied to the IP phone. Figure 29 shows a typical IP telephone system connection.

Figure 29 Typical IP Telephone System Connection



### 4.11.1 Definitions

The terms in [Table 47](#) are used throughout the DTE discovery sections:

**Table 47 DTE Terms**

| Term                   | Definition   |
|------------------------|--|
| Negotiation Process:   | This includes auto-negotiation and parallel detection processes                            |
| System:                | The switch system using the LXT9785E for DTE Discovery                                     |
| Link Partner:          | A device connected to the LXT9785E through twisted pair cables                             |
| DTE:                   | Data Terminal Equipment; any end-of-link partner   |
| Standard Link Partner: | A link partner that is not requiring power over a Category 5 cable; typically a PC         |
| Remote-Power DTE:      | Data Terminal Equipment requiring power over a Category 5 cable; typically an IP telephone |
| Discovery:             | The process of identifying the type of link partner present                                |

### 4.11.2 Interaction between Processor, MAC, and PHY

The state machines that control the mechanics of the Discovery process reside within the LXT9785E device. However, control of the power supply and overall system control reside in the system processor. The processor communicates with the power supply unit (PSU) and switches it on and off dependant on the data that is supplied by the PHY. The PHY register data is read by the MAC using the MDIO interface. The required control bits are contained in the PHY device register map and are discussed in detail in the section labeled [Section 4.11.3, Management Interface and Control, on page 149](#).

**Note:** The details of the processor/MAC interface and the processor/PSU interface are implementation specific and therefore are out of the scope of this specification.

The following is an overview of the system control for a successful Remote-Power DTE discovery:

1. The discovery process is enabled by the DTE Discovery Process Enable (Dis\_EN) Register bit 27.6 and the Auto-Negotiation Enable Register bit 0.12. Writing Register bit 27.6 immediately affects the Auto-Negotiation Base Page. If already enabled, auto-negotiation should be restarted after this bit is written to ensure proper operation. Register bit 4.15 is used for manual control of auto-negotiation next pages and should be left in the default state (cleared).
2. The LXT9785E PHY then tests to see if a Remote-Power DTE is present as the link partner. If a Remote-Power DTE is found, the Power Enable (Power\_EN) Register bit 27.4 is set. The processor polls this signal via the MAC.
3. Upon detecting a Remote-Power DTE, the processor instructs the power supply to switch on. Once power has been applied to the DTE, normal negotiation takes place. The processor must enable the required negotiation process by restarting auto-negotiation, or by setting forced speed mode after power has been applied. The processor must poll the link-up Register bit 1.2 for the corresponding LXT9785E port, or the link status change interrupt, to ensure that the link has been established.
4. A time-out must be connected with this feature so that if link is not established within a pre-determined time period (system dependant), the processor instructs the power supply to switch off. If link is not established prior to the expiration of the "link fail inhibit timer", the LXT9785E restarts negotiation with DTE detection if auto-

negotiation mode was used to establish link with the phone, and the DTE process is still enabled. The LXT9785E restarts negotiation without DTE detection if either forced speed mode is used to establish link with the phone, or the DTE process is disabled.

5. If power is applied and link is established, the system must still poll the Link Status Register bit 1.2 for the corresponding LXT9785E port or the link status change interrupt. This is required since link status is the only way to know when the Remote-Power DTE is removed or unplugged. On seeing the Link\_Down condition, the processor instructs the power supply to switch off, and the DTE Discovery begins again or is disabled.

### 4.11.3 Management Interface and Control

The management and control of the DTE discovery process is via the MDIO port. Each port on the LXT9785E is capable of running the discovery process, thus each port is independently controlled. This is achieved by each port having a dedicated set of control and status bits. These bits are found in Register 27 as follows:

**DTE DISCOVERY PROCESS ENABLE - Register Bit 27.6 (Dis\_EN)**  
R/W Default value = 0: Disabled.

Register bit 27.6 controls the operation of the process. The discovery process is disabled when Register bit 27.6 = 0, and enabled when Register bit 27.6 = 1. The MAC controller sets Register bit 27.6 to a 1 when a port search for a DTE requiring power is desired. Once set, Register bit 27.6 remains = 1 until the MAC clears it, either by directly clearing it or by resetting the PHY. This allows the discovery process to continue to function if unsuccessful in detecting a DTE, without being continually re-enabled by the MAC. If Register bit 27.6 is set after link is established, no action is taken until after the link goes down.

**POWER ENABLE - Register Bit 27.4 (Power\_EN)**  
R Default value = 0: No Remote-Power DTE found.

Register bit 27.4 contains the result of the discovery process. When Register bit 27.4 = 0, the discovery process has not found Remote-Power DTE, and when Register bit 27.4 = 1, the discovery process has potentially found a DTE requiring power. This indicates power should be applied to the Category 5 cable. Register bit 27.4 is polled by the MAC during the discovery process, and is cleared when the PHY is reset, when auto-negotiation is restarted, or when auto-negotiation is disabled. In the event of a discovery process being interrupted due to detection of an already powered link partner (auto-negotiation completion or Parallel Detection), Register bit 27.4 = 0.

**STANDARD LINK PARTNER DETECTED - Register Bit 27.3 (SLP\_Det)**  
R/W Clear on Read Default value = 0: No link partner found.

When Register bit 27.3 = 1, a standard link partner has been detected by the LXT9785E (NLPs, MLT3 data, FLPs without next page support, or FLPs with non-matching next pages). This indicates power should not be applied to the Category 5 cable. When Register bit 27.3 = 0, other bits are checked to determine overall status of the link partner. Register bit 27.3 is cleared on read, or DTE discovery is disabled, link is established, or auto-negotiation is either restarted or disabled.

**LINK FAIL TIMEOUT - Register Bit 27.2 (LFIT Expired)**  
R/W Clear on Read Default value = 0 (Link Fail Inhibit timer has expired without establishment of link with a standard link partner). Valid only when Standard Link Partner Detected Register bit 27.3 = 1.

Register bit 27.2 is set if link is not established prior to the Link Fail Inhibit Timer expiring. This indicates that the Discovery process has restarted and the Standard Link Partner Detected Register bit may no longer be valid. Register bit 27.2 is cleared on read, or DTE discovery is disabled, link is established, or auto-negotiation is either restarted or disabled.

#### 4.11.4 DTE Discovery Process Flow

The following section describes the DTE Discovery process. See [Figure 30, Cortina Systems® LXT9785E Negotiation Flow Chart, on page 152](#) for a flow chart of the discovery process. When DTE Discovery (27.6) and auto-negotiation (0.12) are enabled (auto-negotiation mode is required), the LXT9785E transmits the auto-negotiation base page with the next page ability bit set ([Section Table 88, Auto-Negotiation Advertisement Register \(Address 4\), on page 195](#)).

System software polls Register 27 to determine if or when a Remote-Power DTE is detected. The receiver monitors the line to determine if NLPs, MLT3 data, or FLP bursts are being received. If the receive activity is FLP bursts, the status of the next page ability bit is checked. If the detected "link partner" also supports next page, then the LXT9785E transmits out the next page sequence associated with message code #5 (Organizationally Unique Identifier (OUI) Tag Code). The definition for the next pages to be sent out for this message code include some user-defined code values. These values are loaded with randomly created data from an internal LSFR that is free running and seeded with the PHY address of the LXT9785E port. The Next Pages are hard coded in the logic (the LXT9785E ignores any data written into Register 7) and are outlined in [Table 48](#). The receiver monitors the next pages to determine that the exact next page data (especially the random data) transmitted is received. As soon as the first non-matching next page is detected, the DTE Discovery process is stopped and the base page is used to determine the capability options. The Power-Enable Register bit 27.4 is set when a Remote-Power DTE is detected as the link partner, and the last next page is repeatedly transmitted until software restarts the required negotiation process (auto-negotiation or forced-speed mode).

The software should be written so that the negotiation is not restarted until the DTE has been powered up over the Category 5 cable. The Power-Enable Register bit 27.4 is cleared upon restarting or disabling auto-negotiation (selecting forced mode). The system must be able to detect over-current conditions and be capable of disabling power in case the link partner is not a Remote-Power DTE. Some examples of devices that would mistakenly set Power-Enable Register bit 27.4 are a token-ring balun and a loopback cable. Once link partner power has been stabilized and sufficient time has passed for the link partner to initialize, the auto-negotiation process may be restarted.

The negotiation process establishes link if a compatible mode exists between the LXT9785E and the link partner. If a compatible mode does not exist (not compatible or not established within the Link Fail Inhibit Timer period), the LXT9785E either restarts auto-negotiation/DTE discovery (discovery is enabled (27.6=1) and auto-negotiation is enabled (0.12 = 1)), or normal negotiation (discovery is disabled (27.6=0) and auto-negotiation is enabled (0.12 = 1)), or either 10 Mbps or 100 Mbps forced-mode operation (auto-negotiation is disabled (0.12 = 0)). The software must detect this non-link state and disable power.

**Table 48 Next Page Message #5 Code Word Definitions**

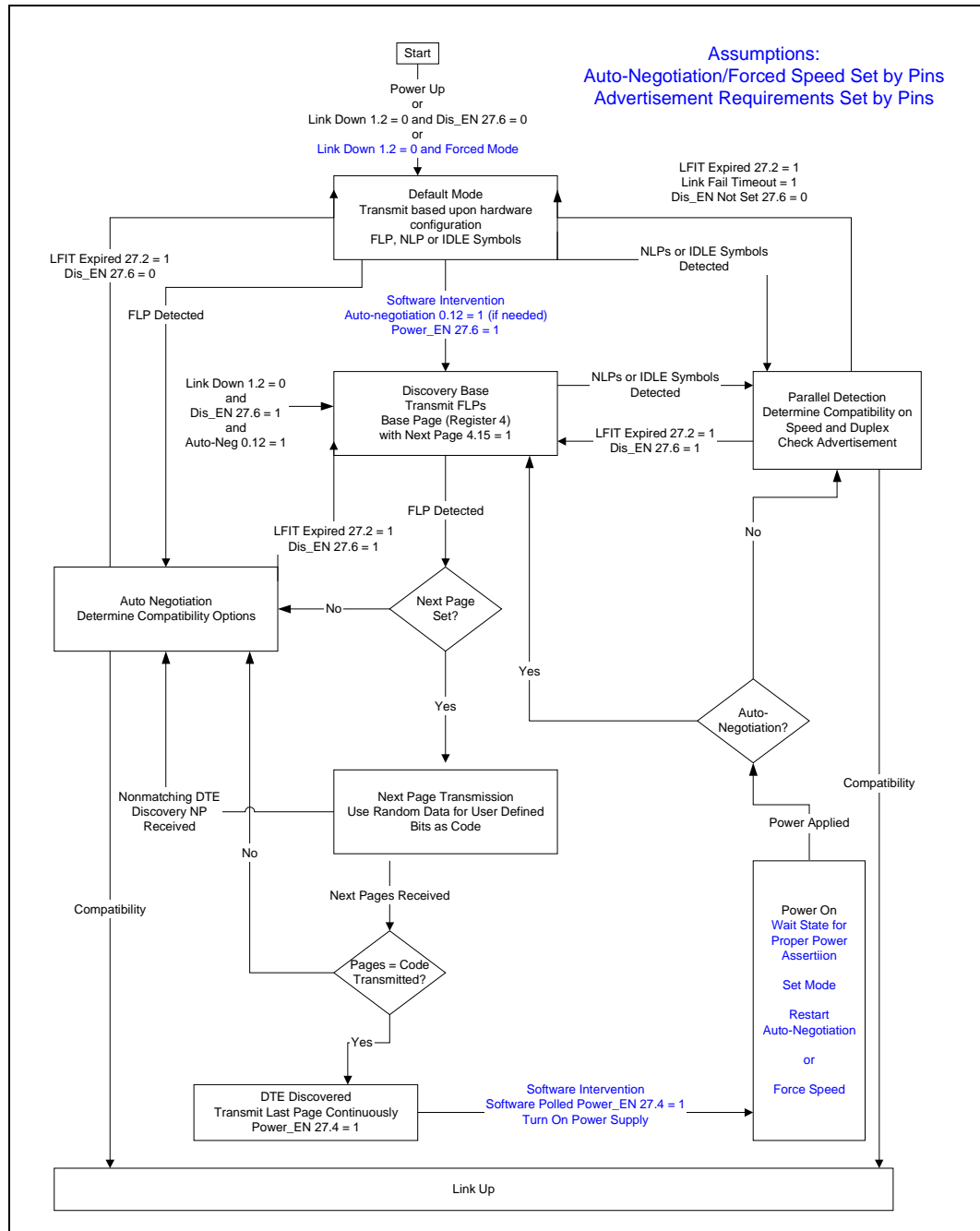
| Next Page Encoding | D15 | D14 | D13 | D12 | D11 | D10  | D9   | D8   | D7   | D6   | D5   | D4   | D3   | D2   | D1   | D0   |
|--------------------|-----|-----|-----|-----|-----|------|------|------|------|------|------|------|------|------|------|------|
| OUI Tagged Message | 1   | a   | 1   | 0   | t   | 0    | 0    | 0    | 0    | 0    | 0    | 0    | 0    | 1    | 0    | 1    |
| User Page 1        | 1   | a   | 0   | 0   | t   | 3.10 | 3.11 | 3.12 | 3.13 | 3.14 | 3.15 | 2.0  | 2.1  | 2.2  | 2.3  | 2.4  |
| User Page 2        | 1   | a   | 0   | 0   | t   | 2.5  | 2.6  | 2.7  | 2.8  | 2.9  | 2.10 | 2.11 | 2.12 | 2.13 | 2.14 | 2.15 |
| User Page 3        | 1   | a   | 0   | 0   | t   | 0    | 0    | L.8  | L.7  | L.6  | L.5  | L.4  | L.3  | L.2  | L.1  | L.0  |
| User Page 4        | 1   | a   | 0   | 0   | t   | L.10 | L.9  | L.8  | L.7  | L.6  | L.5  | L.4  | L.3  | L.2  | L.1  | L.0  |

1. a is the acknowledge bit; t is the toggle bit; L is the LFSR

#### 4.11.5 DTE Discovery Behavior

The device behavior checks the comparison bit after each next page is successfully auto-negotiated. If the first next page or any subsequent next page does not match, the DTE Discovery process transmits one last null page with the next page bit cleared to stop the DTE Discovery process. If each page is successfully auto-negotiated (it matches the transmitted page), DTE Discovery completes as previously described. The five Next Pages consist of a message page and four user pages.

Figure 30 Cortina Systems® LXT9785E Negotiation Flow Chart





---

## 4.12 Monitoring Operations

### 4.12.1 Monitoring Auto-Negotiation

Auto-negotiation may be monitored as follows:

- Bits 1.2 and 17.10 = 1 once the link is established.
- Additional bits in Register 1 (refer to [Table 85, Status Register \(Address 1\), on page 193](#)) and Register 17 (refer to [Table 94, Quick Status Register \(Address 17, Hex 11\), on page 200](#)) can be used to determine the link operating conditions and status.

### 4.12.2 Per-Port LED Driver Functions

The LXT9785/LXT9785E incorporates three direct drive LEDs per port (LED<sub>n</sub>\_1\_L, LED<sub>n</sub>\_2\_L, and LED<sub>n</sub>\_3\_L).

On power up, all the LEDs lights up for approximately one second after reset de-asserts. Each LED may be programmed to one of several different display modes using the LED Configuration Register. Each per-port LED may be programmed (refer to [Table 97, LED Configuration Register \(Address 20, Hex 14\), on page 204](#)) to indicate one of the following conditions:

- Operating Speed
- Transmit Activity
- Receive Activity
- Collision Condition
- Link Status
- Duplex Mode
- Isolate Condition

The LEDs can also be programmed to display various combined status conditions. For example, setting bits 20.15:12 = 1101 produces the following combination of Link and Activity indications:

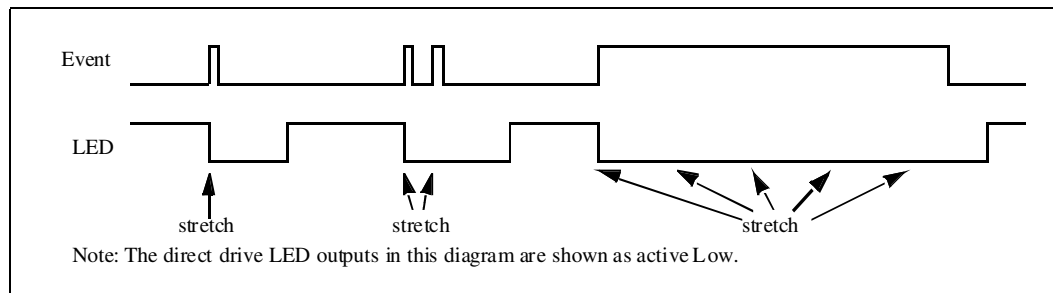
- If Link is down, LED is off.
- If Link is up, LED is on.
- If Link is up AND activity is detected, the LED blinks at the stretch interval selected by bits 20.3:2 and continues to blink as long as activity is present.

The LED driver pins are open drain circuits (10 mA max current rating). Refer to [Section 5.2.6, LED Circuit, on page 164](#) under the Application Information Section for LED circuit design details. The LED Configuration Register also provides optional LED pulse stretching to 30, 60, or 100 ms. If during this pulse stretch period, the event occurs again, the pulse stretch time is further extended (see [Table 97, LED Configuration Register \(Address 20, Hex 14\), on page 204](#)).

When an event such as receiving a packet occurs, it is edge detected and starts the stretch timer. The LED driver remains asserted until the stretch timer expires. If another event occurs before the stretch timer expires, the stretch timer is reset and the stretch time extended.

When a long event (such as duplex status) occurs, it is edge detected and starts the stretch timer. When the stretch timer expires, the edge detector is reset so that a long event causes another pulse to be generated from the edge detector. The edge detector resets the stretch timer, causing the LED driver to remain asserted. [Figure 31 on page 154](#) shows how the stretch operation functions.

**Figure 31 LED Pulse Stretching**



### 4.12.3 Out-of-Band Signaling

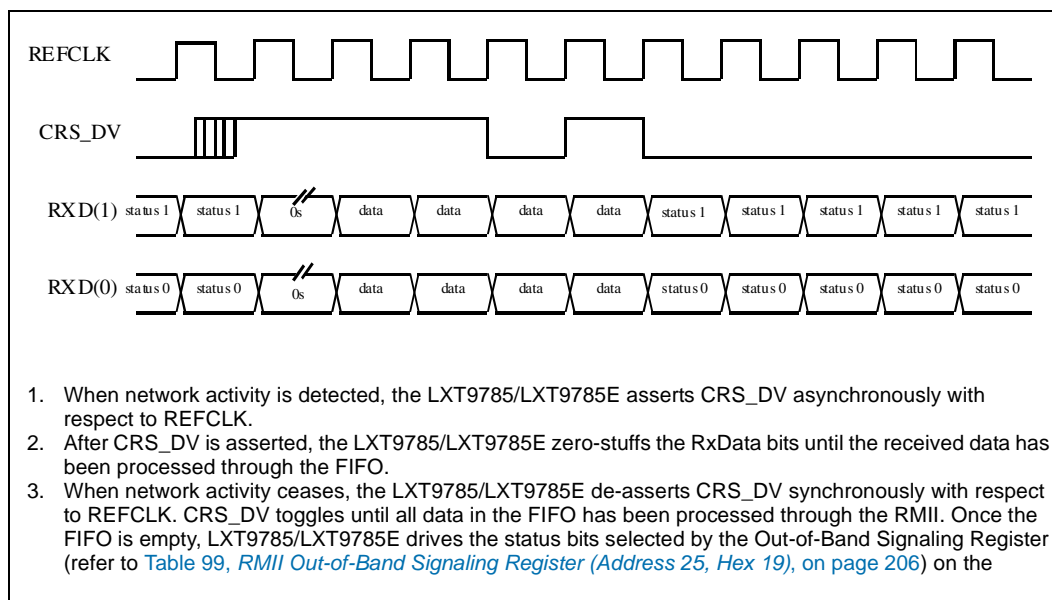
The LXT9785/LXT9785E provides an out-of-band signaling option to transfer status information across the RMII receive interface. This feature is enabled when Register bit 25.0 = 1 and uses the RxData(1:0) data bus during the Inter-Packet Gap (IPG) time as shown in [Figure 32](#). Out-of-Band signaling is disabled when Isolate mode is enabled by setting Register 0.10.

**Note:** The BGA15 package does not support Out-of-Band Signaling nor the RMII interface.

The two status bits transferred across the RxData bus are software selectable via Register 25 (see [Table 99, RMII Out-of-Band Signaling Register \(Address 25, Hex 19\), on page 206](#)).

In normal operation, the LXT9785/LXT9785E stuffs the RxData bus with zeros during the IPG. A software-selectable bit enables the RMII out-of-band signaling feature. Once this bit is set, the LXT9785/LXT9785E replaces the zeros with selected status bits during the IPG.

**Figure 32 RMI Programmable Out-of-Band Signaling**



The LXT9785/LXT9785E includes an IEEE 1149.1 boundary scan test port for board level testing. All digital input, output, and input/output pins are accessible.

#### 4.12.4 Boundary Scan Interface

This interface consists of five pins (TMS, TDI, TDO, TCK and TRST\_L). It includes a state machine, data register array, and instruction register. The TMS and TDI pins are internally pulled up and the TCK pin is internally pulled down. TDO does not have an internal pull-up or pull-down.

#### 4.12.5 State Machine

The TAP controller is a 16-state machine driven by the TCK and TMS pins. Upon reset, the TEST\_LOGIC\_RESET state is entered. The state machine is also reset when TMS and TDI are High for five TCK periods.

#### 4.12.6 Instruction Register

The IDCODE instruction is always invoked after the state machine resets. The decode logic ensures the correct data flow to the Data registers according to the current instruction. Valid instructions are listed in [Table 50](#).

### 4.12.7 Boundary Scan Register

Each Boundary Scan Register (BSR) cell has two stages. A flip-flop and a latch are used for the serial shift stage and the parallel output stage. There are four modes of operation as listed in [Table 49](#). Refer to the Identification Information section in the Cortina Systems® LXT9785 and LXT9785E Advanced 8-Port 10/100 Mbps PHY Transceivers Specification Update (document number 249357) for the JTAG ID numbers.

**Table 49 BSR Mode of Operation**

| Mode | Description     |
|------|-----------------|
| 1    | Capture         |
| 2    | Shift           |
| 3    | Update          |
| 4    | System Function |

**Table 50 Supported JTAG Instructions**

| Name   | Code     | Description        | Data Register |
|--------|----------|--------------------|---------------|
| EXTEST | 0000 Hex | External Test      | BSR           |
| IDCODE | FFFE Hex | ID Code Inspection | ID REG        |
| SAMPLE | FFF8 Hex | Sample Boundary    | BSR           |
| High Z | FFCF Hex | Force Float        | Bypass        |
| Clamp  | FFEF Hex | Clamp              | BSR           |
| BYPASS | FFFF Hex | Bypass Scan        | Bypass        |

## 4.13 Cable Diagnostics Overview

Debugging cable problems increases the overall cost of owning and operating a local area network. Cable Diagnostic tools were incorporated into the LXT9785/LXT9785E device to help customers debug network cable problems. The Cable Diagnostic tools provide the ability to detect severe cable problems, such as open and short circuits, and determine the distance to the discontinuity.

### 4.13.1 Features

The following are three cases to consider for Cable Diagnostics:

- Distance to a short circuit between wires of a single twisted-pair
- An open circuit
- Detection of an improperly terminated cable by the link partner.

An improperly terminated cable will not meet IEEE 802.3 return loss requirements. Register 29 has been added to control cable testing and report cable testing results.

Cable Diagnostics provides a method to determine the distance to opens and shorts when the link partner is inactive on the twisted-pair under test. The cable tests produce undefined results if the link partner is transmitting signals. Implementation methods may vary depending upon the system use requirements of Cable Diagnostics.

## 4.13.2 Operation

Cable Diagnostics utilizes the PHY transmit drivers and receivers to test a single twisted-pair. A transmit pulse is driven down the twisted-pair under test and the reflected signal is analyzed. Link partners transmitting NLP, FLP, MLT3, or other TDR pulses may interfere with the ability of the LXT9785/LXT9785E to properly analyze the reflected Cable Diagnostic pulse. Implementation algorithms must take these potential situations into consideration.

### 4.13.2.1 Short and Long Cable Testing Requirements

Implementing Cable Diagnostic tests, by enabling short and long cable tests sequentially, allows more accurate measurements to a detected fault. Both tests are necessary to reach full precision. The short and long cable tests can be run by writing 0x7400h and 0x6C00h to Register 29, respectively. See [Section 4.13.4, Basic Implementation, on page 158](#) for implementation details.

### 4.13.2.2 Precision

Cable Diagnostics estimates the distance to a fault up to 150 m. Category 5 or better cable produces the most accurate test results. Less than Category 5 cable may produce less accurate results on long cable lengths. Cable Diagnostics returns the distance to the closest fault, if a fault is present.

Cable Diagnostic tests report the distance to a cable fault based on the velocity of signal propagation, which is used to determine the electrical length to the fault. The electrical length may vary slightly from the physical cable length. The measurement accuracy may vary by +/- 2 m. The following basic equation is used to calculate the distance to a fault:

$$\text{Distance\_to\_Fault} = (\text{Reg29}[7:0] - 3.5) / 1.16$$

## 4.13.3 Implementation Considerations

Before performing Cable Diagnostics, the twisted-pair to be tested may be verified to be inactive. All applicable link configurations should be attempted. Cable Diagnostic tests may be started if the attempts indicate no link partners are active. If link partners are detected, additional tests and decisions as to next steps may need to be implemented in the cable testing algorithm to ensure the most accurate results.

Cortina recommends that a 100BASE-TX link be attempted with MDI and MDIX enabled sequentially, prior to performing Cable Diagnostic testing, to determine if a 100BASE-TX-only link partner is present. If a link partner is in forced 100BASE-TX operation, transmitting MLT3, the Cable Diagnostic test result will be undefined due to the interference MLT3 causes in attempting to process the reflected Cable Diagnostic pulse. Auto MDI/MDIX on the link partner should be accounted for in deriving the cable testing algorithm.

Cortina recommends auto MDI/MDIX be disabled when running the cable tests. The transmit and receive twisted-pairs must be tested one at a time with both short and long cable test suites. The MDI/MDIX control bits in [Table 100, Trim Enable Register \(Address 27, Hex 1B\), on page 207](#) can be used to select the twisted-pair to be tested. This requirement creates a minimum of four test permutations that must be completed to determine if the fault exists, the distance to the fault.

If Cable Diagnostics testing is completed using a powered down LXT9785/LXT9785E device as the link partner, specific results can be expected. The results will indicate an open connection when the PWRDWN hardware configuration pin is used. These power-down methods disable the internal termination resistors to create a high impedance connection equivalent to an open circuit.

If Transmit Disable (Register bit 16.13) or software controlled Power-Down (Register bit 0.11) is used, the powered down device transmit logic will look like an open circuit and the receive circuit will look like a 100 Ω terminated connection. The Transmit Disable bit and the software Power-Down bit disable the transmit circuit but do not affect the receive circuit.

The result of Cable Diagnostic tests using an IP Phone indicate an open or a short fault at a gross approximation of the distance to the IP Phone. The termination resistors are not powered and do not create a proper termination. The filter circuit used by some manufacturers adversely affects the test results.

Transmission and reception of packets is disabled when Cable Diagnostics is enabled. Internal loopback must be disabled for Cable Diagnostics to operate properly. Internal loopback disables the analog interface.

#### 4.13.4 Basic Implementation

Register 29 is used to control and report the Cable Diagnostics test results. The function tests one pair of the twisted-pair cable at a time. The basic process flow is described as follows (see [Table 101, Cable Diagnostics Register \(Address 29, Hex 1D\)](#), on page 209 for Register 29 bit definitions):

1. Disable auto-negotiation by clearing Register bit 0.12, set to MDI by clearing Register bits 27.9:8, and ensure internal loopback is disabled, Register bit 0.14 = 0.
2. Write 0x7400h to Register 29. Setting these bits places the device in short cable Cable Diagnostics mode and forces link to drop. The device waits a specific amount of time (1.2 s to 1.5 s) to ensure link drops on any connected link partner, and initiates the Cable Diagnostics test on the selected twisted-pair.
3. Poll Register bit 29.9. When this bit is set, the test is complete and Register bits 29.7:0 contain a value used to determine if a cable fault was found and the distance to that fault. A value of 0xFFh indicates no fault was found. Any other value indicates a fault was found, that value should be stored for later use.
4. Write 0x6C00h to Register 29. Setting these bits places the device in long cable Cable Diagnostics mode.
5. Poll Register bit 29.9. When set, record the value of Register bits 29.7:0 if a fault is found.
6. If a fault is present, a calculation is used to determine the distance to the fault. Insert the smallest value recorded from Register bits 29.7:0 in steps 3 and 5 above into the following formula:

$$\text{Distance\_to\_Fault} = (\text{Reg29}[7:0] - 3.5) / 1.16$$

Register bit 29.8 is set if the fault is detected as a short circuit and is cleared if the fault is detected as an open circuit. Register bits 29.12:11 are cleared when read and are cleared during the same read cycle when Register bit 29.9 is read, indicating a fault condition exists.

7. Normal PHY operation can be resumed by writing 0x4000h to Register 29 or by software or hardware reset. The test suite can be run again by resuming at step 2 above.

## 4.14 Link Hold-Off Overview

The PHY link is established as soon as the system platform powers-up. In many cases, the system platform is not capable of supporting network operation until configuration firmware is loaded. It is desirable in such cases to prevent the PHY from establishing a link until the system platform is fully configured and ready for network operation. Link Hold-Off was incorporated into the LXT9785/LXT9785E device to satisfy these requirements. Enabling Link Hold-Off disables the PHY Link capability until the system platform is fully capable of supporting network operation. The feature is enabled by hardware control at power-up or software control during normal operation.

### 4.14.1 Features

Link Hold-Off prevents the LXT9785/LXT9785E from establishing a link by disabling the analog transmit and receive capability. The digital capabilities of the PHY are unaffected including register access and LED operation. Link Hold-Off can be enabled by an external hardware pin for all ports or by software register access for individual ports. When Link Hold-Off is enabled, the transmitter and receiver on the selected ports are forced into software power-down mode (see [Section 4.5.3, Power-Down Mode, on page 124](#)) to block signal activity from establishing a link and passing packets through the PHY.

The hardware enabled Link Hold-Off is controlled by the LINKHOLD pin. Internal pull-down resistors hold the pin in the inactive state. Connecting a 5k pull-up resistor to the pin enables the feature at power-up reset or external hardware pin Reset. Once a PHY port is programmed as desired, clearing Register bit 0.11 will re-enable that port. Each port must be individually re-enabled.

When a port is software reset, by setting Register 0.15, the state of the hardware configuration pin captured by the last hardware or power-up reset determines the default register values for the specific function for that port. Link Hold-Off, once enabled by hardware configuration, is re-enabled on a port by issuing a software reset for that port. It is not necessary to reset the entire PHY or switch system to re-enable Link Hold-Off.

Link Hold-Off software control is enabled or disabled on individual ports by respectively setting or clearing Register bit 0.11, the power-down bit, during normal operation. It is not required to have previously enabled Link Hold-Off by hardware configuration.

Link Hold-Off is disabled if the external pin MDDIS is active. The MDDIS pin disables the MDIO interface required to re-enable normal transmit and receive link operation. MDDIS is intended to disable the MDIO management interface for unmanaged applications. Internal loopback circuitry is unaffected in Link Hold-Off mode.

### 4.14.2 Operation

Link Hold-Off is implemented in one of the following two ways:

- Using a hardware pin at power-up or hardware reset
- Using software control through the MII Management (MDC/MDIO) interface.

Link Hold-Off use by an external hardware pin is as follows:

1. Pull the LINKHOLD pin High with a pull-up resistor (approximately 5 k Ohms).
2. Power up the system or drive the reset pin active.
3. All ports are link disabled.
4. Program all ports to the desired configuration.

5. Clear Register Bit 0.11, power-down for each individual port.
6. Normal operation resumes on each port after Register bit 0.11 is cleared (see Table 83 for the recovery time).

Link Hold-Off is enabled on a per port basis by software control using the following two methods:

**Method One:**

This method requires that Link Hold-Off is enabled by the LINKHOLD pin during the last power-up or hardware reset.

1. Set Register bit 0.15 to reset and re-enable Link Hold-Off for the desired port.
2. Program the PHY to the desired configuration.
3. Clear Register bit 0.11 (power-down) to disable Link Hold-Off.
4. Normal operation resumes.

**Method Two:**

This method enables Link Hold-Off regardless of the LINKHOLD hardware configuration state.

1. Set Register bit 0.11(power-down) to enable Link Hold-Off for the desired port.
2. Program the PHY to the desired configuration.
3. Clear Register bit 0.11 (power-down) to disable Link Hold-Off.
4. Normal operation resumes.

**Note:** High is defined by the IO voltage supply level selected (2.5V or 3.3V).



---

## 5.0 Application Information

### 5.1 Design Recommendations

The LXT9785/LXT9785E is designed to comply with IEEE 802.3 requirements to provide outstanding receive Bit Error Rate (BER), and long-line-length performance. To achieve maximum performance from the LXT9785/LXT9785E, attention to detail and good design practices are required. Refer to the Cortina Systems® LXT9785 and LXT9785E Advanced 8-Port 10/100 Mbps PHY Transceivers Design and Layout Guide application note for detailed design and layout information.

### 5.2 General Design Guidelines

Adherence to generally accepted design practices is essential to minimize noise levels on power and ground planes. Up to 50 mV maximum of noise is considered acceptable. High-frequency switching noise can be reduced, and its effects eliminated, by following these simple guidelines throughout the design:

- Fill in unused areas of the signal planes with solid copper and attach them with vias to a VCC or ground plane that is not located adjacent to the signal layer.
- Use ample bulk and decoupling capacitors throughout the design (a value of 0.01 $\mu$ F is recommended for decoupling caps).
- Provide ample power and ground planes.
- Provide termination on all high-speed switching signals and clock lines.
- Provide impedance matching on long traces to prevent reflections.
- Route high-speed signals next to a continuous, unbroken ground plane.
- Filter and shield DC-DC converters, oscillators, etc.
- Do not route any digital signals between the LXT9785/LXT9785E and the RJ-45 connectors at the edge of the board.
- Do not extend any circuit power and ground plane past the center of the magnetics or to the edge of the board. Use this area for chassis ground, or leave it void.

#### 5.2.1 Power Supply Filtering

Power supply ripple and digital switching noise on the VCC plane may cause EMI problems and degrade line performance. The best approach to this problem is to minimize ground noise as much as possible using good general techniques and by filtering the VCC plane. It is generally difficult to predict in advance the performance of any design, although certain factors greatly increase the risk of having problems:

- Poorly-regulated or over-burdened power supplies.
- Wide data busses (32-bits+) running at a high clock rate.
- DC-to-DC converters.

Cortina recommends filtering the power supply to the analog VCC pins of the LXT9785/LXT9785E. This has two benefits. First, it keeps digital switching noise out of the analog circuitry inside the LXT9785/LXT9785E, helping with line performance. Second, if the VCC planes are laid out correctly, digital switching noise is kept away from external connectors, reducing EMI problems.

The recommended implementation is to break the VCC plane into two sections. The digital section supplies power to the VCCD and VCCIO pins of the LXT9785/LXT9785E. The analog section supplies power to the VCCA pins. The break between the two planes should run underneath the device. In designs with more than one the LXT9785/LXT9785E, a single continuous analog VCC plane can be used to supply them all.

The digital and analog VCC planes should be joined at one or more points by ferrite beads. The beads should produce at least a 100  $\Omega$  impedance at 100 MHz. Beads should be placed so that current flow is evenly distributed. The maximum current rating of the beads should be at least 150% of the current that is actually expected to flow through them. A bulk cap (2.2 -10 $\mu$ F) should be placed on each side of each bead.

In addition, a high-frequency bypass cap (0.01  $\mu$ F) should be placed near each analog VCC pin.

## 5.2.2 Power and Ground Plane Layout Considerations

Great care needs to be taken when laying out the power and ground planes.

- Follow the guidelines in the Cortina Systems<sup>®</sup> LXT9785 and LXT9785E Advanced 8-Port 10/100 Mbps PHY Transceivers Design and Layout Guide for locating the split between the digital and analog VCC planes.
- Keep the digital VCC plane away from the TPFOP/N and TPFIP/N signals, the magnetics, and the RJ-45 connectors.
- Place the layers so the TPFOP/N and TPFIP/N signals can be routed close to the ground plane. For EMI reasons, it is more important to shield TPFOP/N than TPFIP/N.

### 5.2.2.1 Chassis Ground

For ESD reasons, it is a good design practice to create a separate chassis ground that encircles the board and is isolated via moats and keep-out areas from all circuit-ground planes and active signals. Chassis ground should extend from the RJ-45 connectors to the magnetics, and can be used to terminate unused signal pairs (Bob Smith termination). In single-point grounding applications, provide a single connection between chassis and circuit grounds with a 2 kV isolation capacitor. In multi-point grounding schemes (chassis and circuit grounds joined at multiple points), provide 2 kV isolation to the Bob Smith termination.

## 5.2.3 MII Terminations

Series termination resistors are required on all the SS-SMII output signals driven by the LXT9785/LXT9785E. Special trace layout consideration should be used when using the SMII interface. Keep all traces orthogonal and as short as possible. Whenever possible, route the clock and sync traces evenly between the longest and shortest data routes. This minimizes round-trip, clock-to-data delays and allows a larger margin to the setup and hold requirements.

## 5.2.4 Twisted-Pair Interface

Use the following standard guidelines for a twisted-pair interface:

- Place the magnetics as close as possible to the LXT9785/LXT9785E.
- Keep transmit pair traces as short as possible; both traces should have the same length.
- Avoid vias and layer changes as much as possible.

- Keep the transmit and receive pairs apart to avoid cross-talk.
- Route the transmit pair adjacent to a ground plane. The optimum arrangement is to place the transmit traces two to three layers from the ground plane, with no intervening signals.
- Improve EMI performance by filtering the TPO center tap. A single ferrite bead rated at 400 mA may be used to supply center tap current to all ports.

### 5.2.4.1 Magnetic Requirements

The LXT9785/LXT9785E requires a 1:1 ratio for both the receive transformers and the transmit transformers. The transmit isolation voltage should be rated at 1.5 kV to protect the circuitry from static voltages across the connectors and cables. The LXT9785/LXT9785E is a current driven transceiver that requires an external voltage (center tap) to drive the transmit signal. In order to support the Auto-MDIX functionality of the LXT9785/LXT9785E, the magnetic must provide a center tap for both the transmit and receive magnetic winding, with both connected to VCCT. See the LXT9785/LXT9785E Design and Layout Guide (249509-001) for magnetic testing with the LXT9785/LXT9785E. Before committing to a specific component, designers should contact the manufacturer for current product specifications, and validate the magnetics for the specific application. [Table 51](#) provides the magnetics requirements.

**Table 51** Magnetics Requirements

| Parameter                             | Min | Nom | Max | Units | Test Condition |
|---------------------------------------|-----|-----|-----|-------|----------------|
| Rx turns ratio                        | –   | 1:1 | –   | –     |                |
| Tx turns ratio                        | –   | 1:1 | –   | –     |                |
| Insertion loss                        | 0.0 | 0.6 | 1.1 | dB    |                |
| Primary inductance                    | 350 | –   | –   | μH    |                |
| Transformer isolation                 | –   | 2   | –   | kV    |                |
| Differential to common mode rejection | 40  | –   | –   | dB    | .1 to 60 MHz   |
|                                       | 35  | –   | –   | dB    | 60 to 100 MHz  |
| Return Loss                           | -16 | –   | –   | dB    | 30 MHz         |
|                                       | -10 | –   | –   | dB    | 80 MHz         |

### 5.2.5 The Fiber Interface

The fiber interface consists of an LVPECL transmit and receive pair to an external fiber transceiver. Both 3.3 V fiber transceivers and 5 V fiber transceivers can be used with the LXT9785/LXT9785E. See the 100BASE-FX Fiber Optic Transceivers-Connecting a PECL/LVPECL Interface Application Note (document number 250781) for detailed information on fiber interface designs and recommendations for Cortina PHYs.

The following should occur in 3.3 V fiber transceiver applications as shown in [Figure 36](#):

- The transmit pair should be AC-coupled with 2.5 V supplies and re-biased to 3.3 V LVPECL levels
- The transmit pair should contain a balance offset in the pull-up resistors to prevent PHY-to-fiber transceiver crosstalk amplification in power-down, loopback, and reset states (see fiber interface application note)

- The receive pair should be DC-coupled with an emitter current path for the fiber transceiver
- The signal detect pin should be DC-coupled with an emitter current path for the fiber transceiver

Refer to the fiber transceiver manufacturer's recommendations for termination circuitry. [Figure 36](#) shows a typical example of an LXT9785/LXT9785E-to-3.3 V fiber transceiver interface.

The following occurs in 5 V fiber transceiver applications as shown in [Figure 37](#):

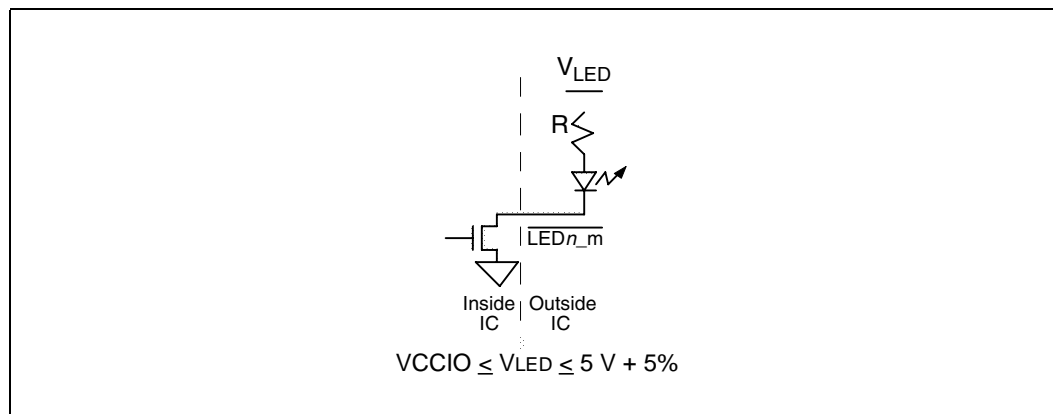
- The transmit pair should be AC-coupled and re-biased to 5 V PECL input levels
- The transmit pair should contain a balance offset in the pull-up resistors to prevent PHY-to-fiber transceiver crosstalk amplification in power-down, loopback, and reset states (see fiber interface application note)
- The receive pair should be AC-coupled with an emitter current path for the fiber transceiver and re-biased to 1.2 V
- The signal detect pin on a 5 V fiber transceiver interface should use the logic translator circuitry as shown in [Figure 38](#).

Refer to the fiber transceiver manufacturer's recommendations for termination circuitry. [Figure 37](#) shows a typical example of an LXT9785/LXT9785E-to-5 V fiber transceiver interface, while [Figure 38](#) shows the interface circuitry for the logic translator.

### 5.2.6 LED Circuit

Each Direct Drive LED has a corresponding open-drain pin. The LEDs are connected through a current-limiting resistor to a positive-voltage rail. The LEDs are turned on when the output pin drives Low. The open-drain LED pins are 5 V tolerant, allowing use of either a 3.3 V or 5 V rail (a 2.5 V rail is unlikely to work with standard forward voltage LEDs). A 5 V rail eases LED component selection by allowing more common, high-forward voltage LEDs to be used. Refer to [Figure 33](#) for a circuit illustration.

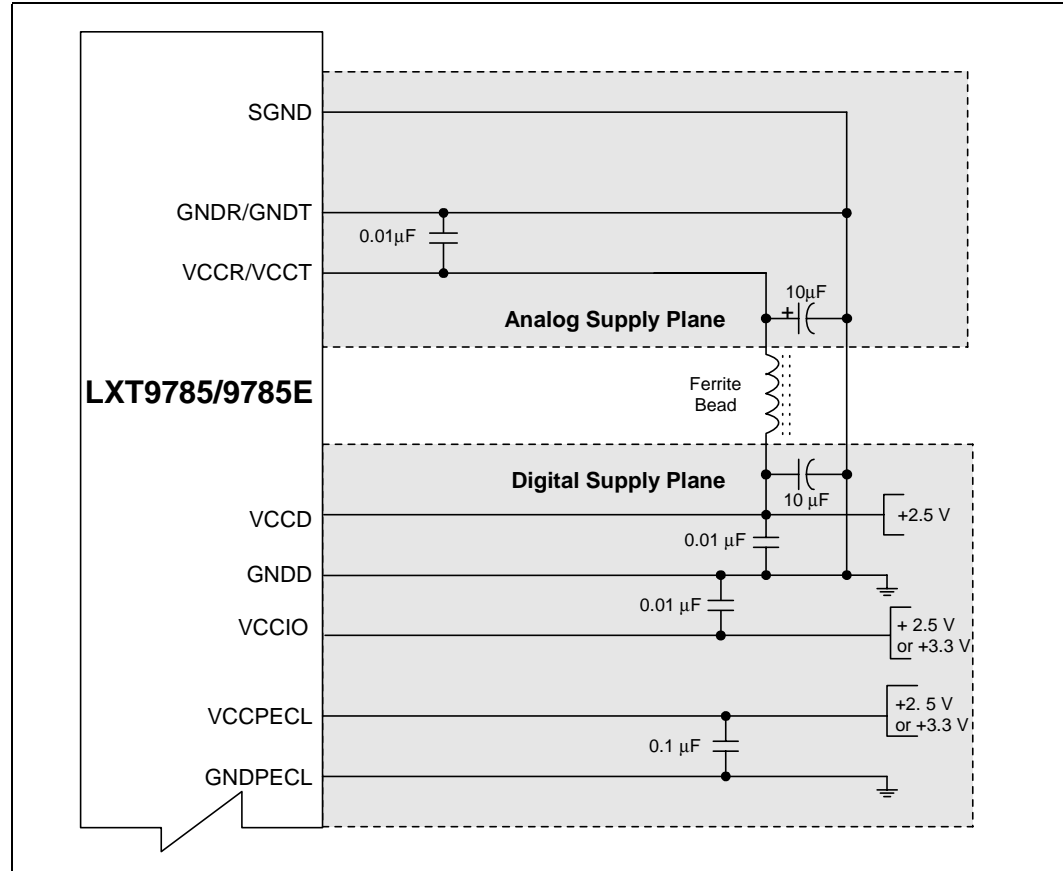
**Figure 33** LED Circuit



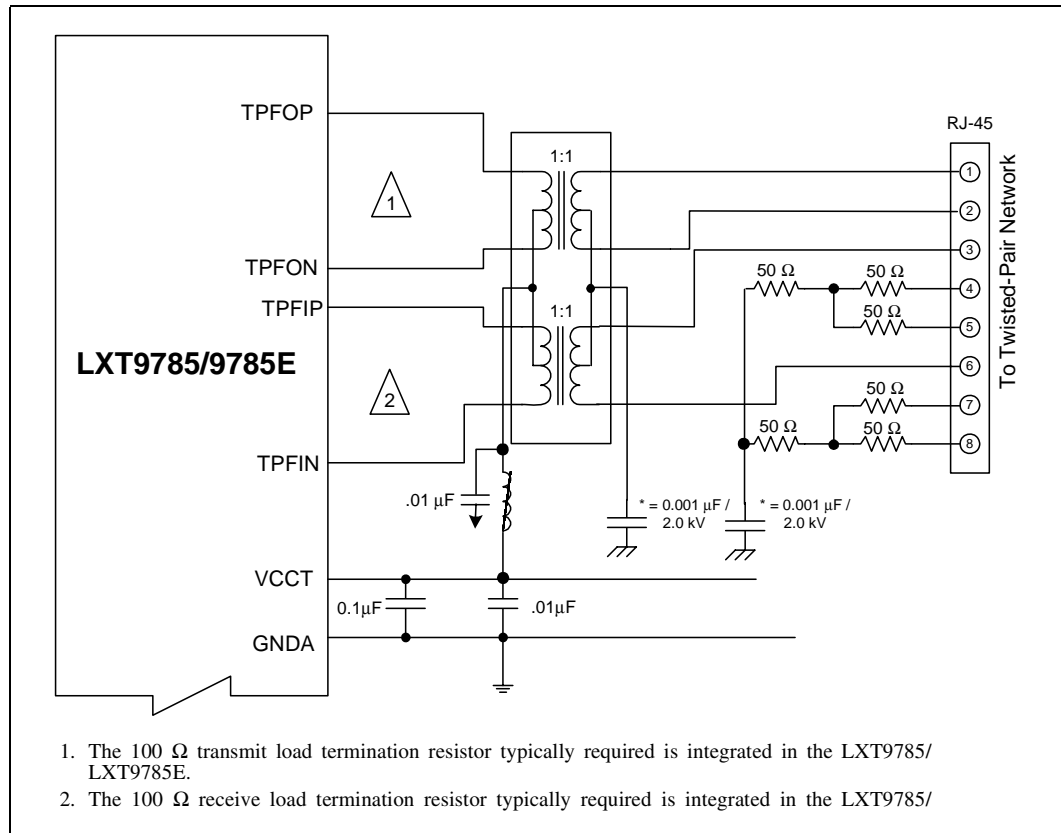
## 5.3 Typical Application Circuits

Figure 34 through Figure 37 on page 168 show typical application circuits for the LXT9785/LXT9785E. Figure 38 on page 169 shows the interface circuitry for the logic translator.

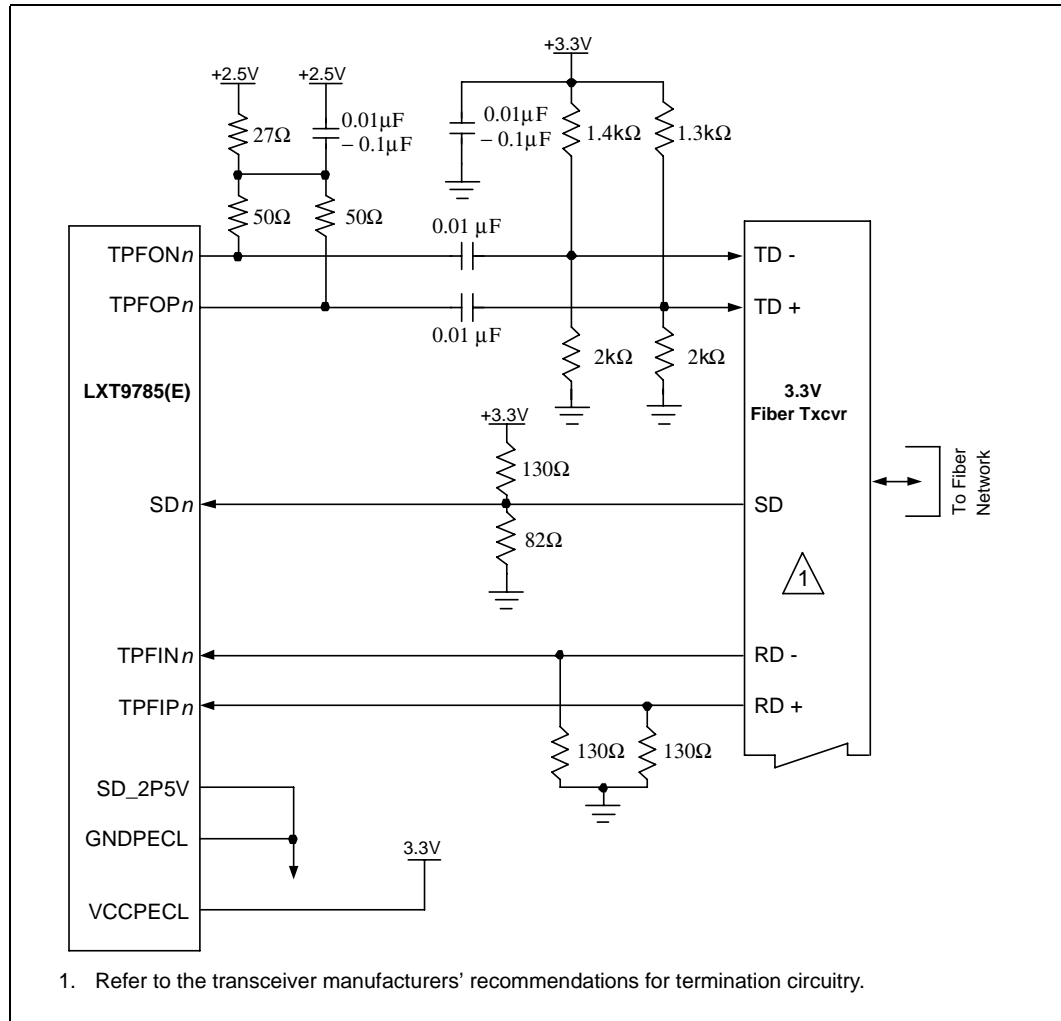
**Figure 34 Power and Ground Supply Connections**



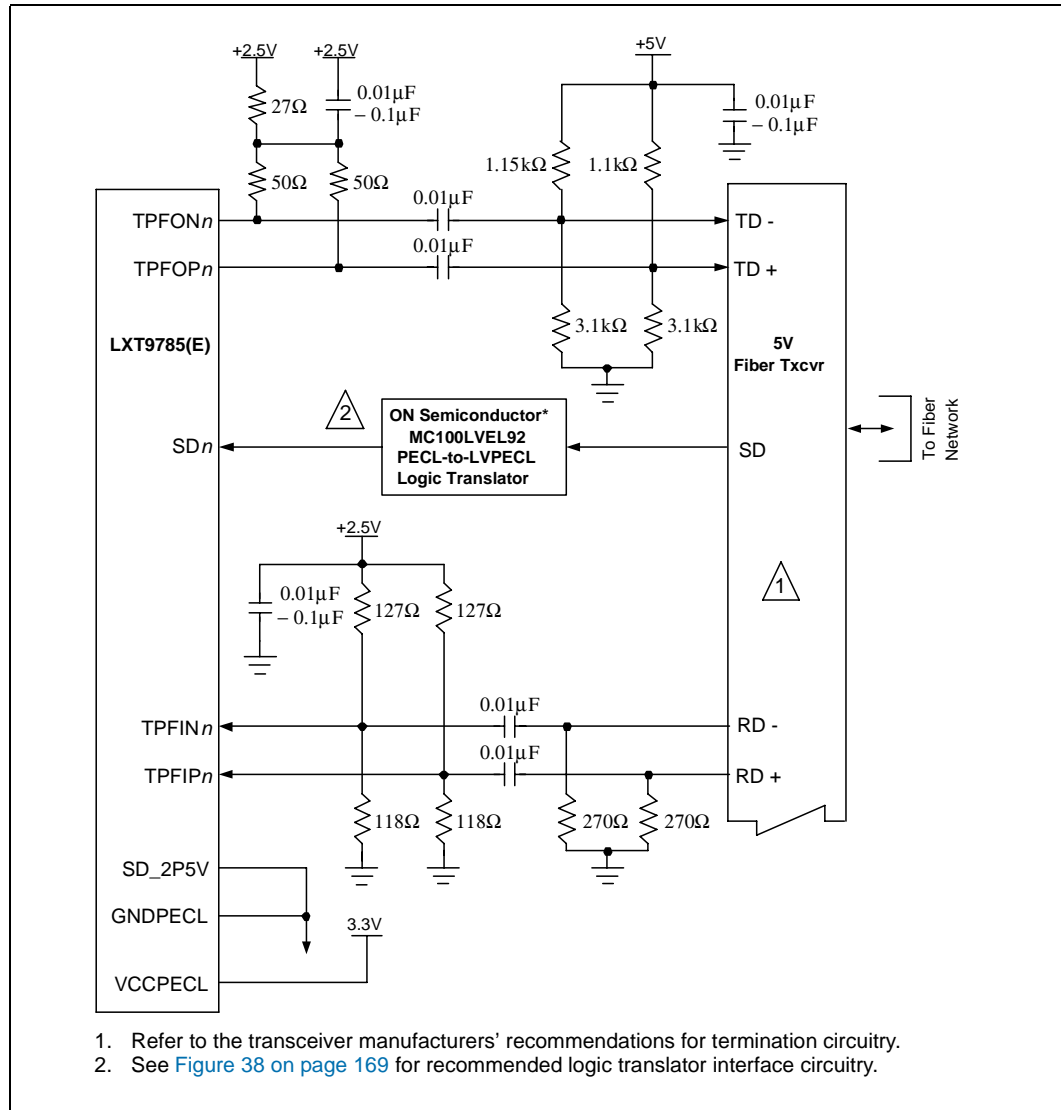
**Figure 35 Typical Twisted-Pair Interface**



**Figure 36 Recommended LXT9785/LXT9785E-to-3.3 V Fiber Transceiver Interface Circuitry**

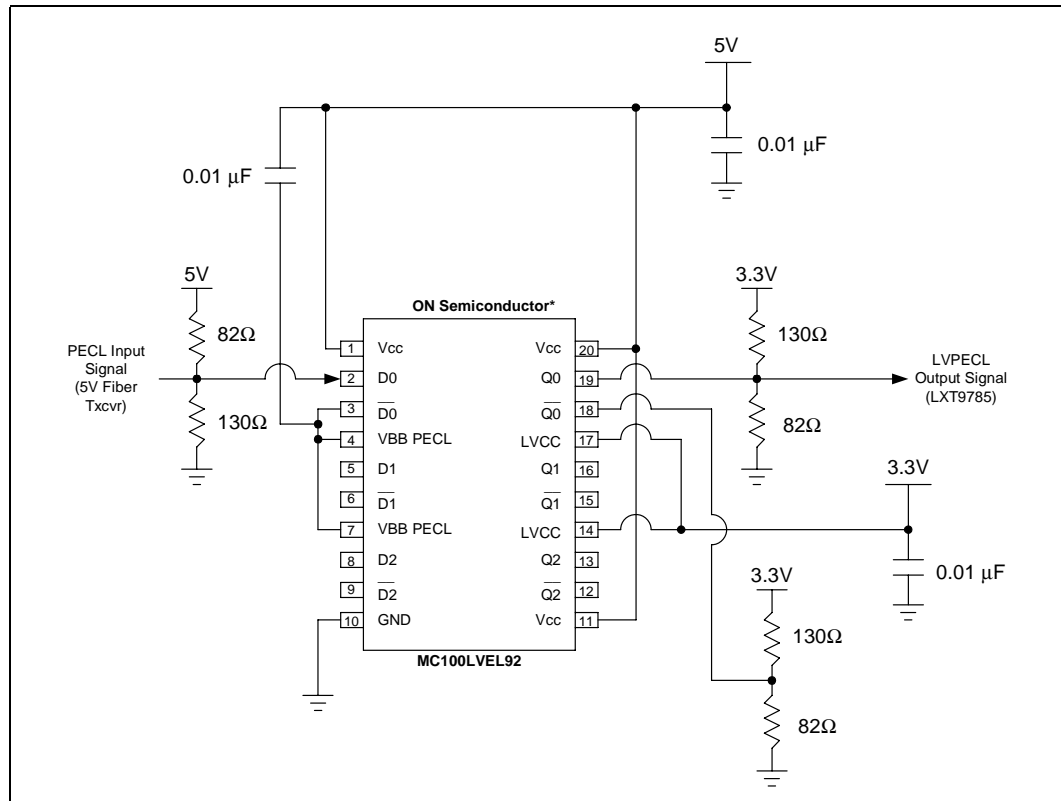


**Figure 37 Recommended LXT9785/LXT9785E-to-5 V Fiber Transceiver Interface Circuitry**





**Figure 38 ON Semiconductor Triple PECL-to-LVPECL Translator**



## 6.0 Test Specifications

Table 52 through Table 82 and Figure 39 through Figure 62 represent the target specifications of the LXT9785/LXT9785E. These specifications are not guaranteed and are subject to change without notice. Minimum and maximum values listed in Table 54 through Table 82 apply over the recommended operating conditions specified in Table 53.

**Table 52 Absolute Maximum Ratings**

| Parameter  | Sym                    | Min  | Max  | Units |
|--|------------------------|------|------|-------|
| Supply voltage   | $V_{CCIO}, V_{CCPECL}$ | -0.3 | 4.0  | V     |
|  | $V_{CCA}, V_{CCD}$     | -0.3 | 3.0  | V     |
| Storage temperature  | $T_{ST}$               | -65  | +150 | °C    |
| <b>Caution:</b> Exceeding these values may cause permanent damage. Functional operation under these conditions is not implied. Exposure to maximum rating conditions for extended periods may affect device reliability. |                        |      |      |       |

**Table 53 Operating Conditions (Sheet 1 of 2)**

| Parameter  |                          | Sym                | Min  | Typ1<br>(2.5 $V_{CCIO}$ ) | Typ1<br>(3.3 $V_{CCIO}$ ) | Max  | Units |
|--|--------------------------|--------------------|------|---------------------------|---------------------------|------|-------|
| Commercial Operating Temperature   | Ambient                  | Topa               | 0    | –                         | –                         | 70   | °C    |
|  | Case                     | Topc               | 0    | –                         | –                         | 108  | °C    |
| Extended Operating Temperature   | Ambient                  | TOPA               | -40  |                           |                           | 85   | °C    |
|  | Case                     | TOPC               | -40  |                           |                           | 123  | °C    |
| Supply voltage <sup>2</sup>  | Analog & Digital         | $V_{CCA}, V_{CCD}$ | 2.38 | 2.5                       | 2.5                       | 2.63 | V     |
|  | I/O                      | $V_{CCIO}$         | 2.38 | 2.5                       | 3.3                       | 3.46 | V     |
|  | I/O (SD_2P5V = 0)        | $V_{CCPECL}$       | 3.14 | N/A                       | 3.3                       | 3.46 | V     |
|  | I/O (SD_2P5V = 1)        |                    | 2.38 | 2.5                       | N/A                       | 2.63 | V     |
| Operating Current - RMII <sup>3</sup>  | 100BASE-TX               | ICC                | –    | 780                       |                           | 810  | mA    |
|  |                          | ICCIO              | –    | 60                        | 130                       | 160  | mA    |
|  | 100BASE-FX               | ICC                | –    | 380                       |                           | 410  | mA    |
|  |                          | ICCIO              | –    | 90                        | 170                       | 200  | mA    |
|  | 10BASE-T                 | ICC                | –    | 710                       |                           | 765  | mA    |
|  |                          | ICCIO              | –    | 30                        | 70                        | 90   | mA    |
|  | Power-Down Mode Hardware | ICC                | –    | 20                        |                           | 20   | mA    |
|  |                          | ICCIO              | –    | 2                         | 3                         | 4    | mA    |
| Auto-Negotiation   | ICC                      | –                  | 500  |                           | 540                       | mA   |       |
|  | ICCIO                    | –                  | 2    | 4                         | 4                         | mA   |       |
| 1. Typical values are at 25 °C and are for design aid only; not guaranteed and not subject to production testing.<br>2. Voltages with respect to ground unless otherwise specified.<br>3. Values are aggregated for all eight ports. |                          |                    |      |                           |                           |      |       |

**Table 53 Operating Conditions (Sheet 2 of 2)**

| Parameter                             |  | Sym               | Min               | Typ1<br>(2.5 V <sub>CCIO</sub> ) | Typ1<br>(3.3 V <sub>CCIO</sub> ) | Max | Units |    |
|---------------------------------------|--|-------------------|-------------------|----------------------------------|----------------------------------|-----|-------|----|
| Operating Current - SMII <sup>3</sup> | 100BASE-TX                               | I <sub>CC</sub>   | –                 | 800                              |                                  | 830 | mA    |    |
|                                       |  | I <sub>CCIO</sub> | –                 | 70                               | 130                              | 160 | mA    |    |
|                                       | 100BASE-FX                               | I <sub>CC</sub>   | –                 | 380                              |                                  | 410 | mA    |    |
|                                       |  | I <sub>CCIO</sub> | –                 | 90                               | 170                              | 200 | mA    |    |
|                                       | 10BASE-T                                 | I <sub>CC</sub>   | –                 | 740                              |                                  | 770 | mA    |    |
|                                       |  | I <sub>CCIO</sub> | –                 | 60                               | 110                              | 130 | mA    |    |
|                                       | Power-Down Mode Hardware                 | I <sub>CC</sub>   | –                 | 50                               |                                  | 50  | mA    |    |
|                                       |  | I <sub>CCIO</sub> | –                 | 3                                | 5                                | 5   | mA    |    |
|                                       | Auto-Negotiation                         | I <sub>CC</sub>   | –                 | 520                              |                                  | 570 | mA    |    |
|                                       |  | I <sub>CCIO</sub> | –                 | 20                               | 30                               | 30  | mA    |    |
|                                       | Operating Current - SS-SMII <sup>3</sup> | 100BASE-TX        | I <sub>CC</sub>   | –                                | 800                              |     | 835   | mA |
|                                       |  |                   | I <sub>CCIO</sub> | –                                | 90                               | 170 | 200   | mA |
| 100BASE-FX                            |  | I <sub>CC</sub>   | –                 | 380                              |                                  | 410 | mA    |    |
|                                       |  | I <sub>CCIO</sub> | –                 | 90                               | 170                              | 200 | mA    |    |
| 10BASE-T                              |  | I <sub>CC</sub>   | –                 | 740                              |                                  | 780 | mA    |    |
|                                       |  | I <sub>CCIO</sub> | –                 | 90                               | 150                              | 180 | mA    |    |
| Power-Down Mode Hardware              |  | I <sub>CC</sub>   | –                 | 30                               |                                  | 40  | mA    |    |
|                                       |  | I <sub>CCIO</sub> | –                 | 3                                | 5                                | 5   | mA    |    |
| Auto-Negotiation                      |  | I <sub>CC</sub>   | –                 | 530                              |                                  | 570 | mA    |    |
|                                       |  | I <sub>CCIO</sub> | –                 | 50                               | 70                               | 80  | mA    |    |

1. Typical values are at 25 °C and are for design aid only; not guaranteed and not subject to production testing.  
 2. Voltages with respect to ground unless otherwise specified.  
 3. Values are aggregated for all eight ports.

**Table 54 Digital I/O DC Electrical Characteristics (V<sub>CCIO</sub> = 2.5 V +/- 5%)**

| Parameter                                      | Sym                 | Min  | Typ1 | Max  | Units | Test Conditions                        |
|--|---------------------|------|------|------|-------|--|
| Input Low voltage                              | V <sub>IL</sub>     | –    | –    | 0.75 | V     | –                                      |
| Input High voltage                             | V <sub>IH</sub>     | 1.75 | –    | –    | V     | –                                      |
| Input current                                  | I <sub>I</sub>      | -100 | –    | 100  | μA    | 0.0 < V <sub>I</sub> < V <sub>CC</sub> |
| Output Low voltage                             | V <sub>OL</sub>     | –    | –    | 0.2  | V     | I <sub>OL</sub> = 4 mA                 |
| Output Low voltage (LED <sub>m_n_L</sub> pins) | V <sub>OL-LED</sub> | –    | –    | 0.5  | V     | I <sub>OL</sub> = 10 mA                |
| Output High voltage                            | V <sub>OH</sub>     | 2.07 | –    | –    | V     | I <sub>OH</sub> = -4 mA                |

1. Typical values are at 25 °C and are for design aid only; not guaranteed and not subject to production testing.

**Table 55 Digital I/O DC Electrical Characteristics (VCCIO = 3.3 V +/- 5%)**

| Parameter                                      | Sym                  | Min  | Typ <sup>1</sup> | Max | Units | Test Conditions                        |
|--|----------------------|------|------------------|-----|-------|--|
| Input Low voltage                              | V <sub>IL</sub>      | –    | –                | 0.8 | V     | –                                      |
| Input High voltage                             | V <sub>IH</sub>      | 2.0  | –                | –   | V     | –                                      |
| Input current                                  | I <sub>I</sub>       | -100 | –                | 100 | μA    | 0.0 < V <sub>I</sub> < V <sub>CC</sub> |
| Output Low voltage                             | V <sub>OL</sub>      | –    | –                | 0.2 | V     | I <sub>OL</sub> = 4 mA                 |
| Output Low voltage (LED <sub>m_n_L</sub> pins) | V <sub>OL</sub> -LED | –    | –                | 0.5 | V     | I <sub>OL</sub> = 10 mA                |
| Output High voltage                            | V <sub>OH</sub>      | 2.4  | –                | –   | V     | I <sub>OH</sub> = -4 mA                |

1. Typical values are at 25 °C and are for design aid only; not guaranteed and not subject to production testing.

**Table 56 Digital I/O DC Electrical Characteristics – SD Pins**

| Parameter              | Sym             | Min  | Typ <sup>1</sup> | Max  | Units | Test Conditions             |
|------------------------|-----------------|------|------------------|------|-------|-----------------------------|
| <b>2.5 V Operation</b> |                 |      |                  |      |       |                             |
| Input Low voltage      | V <sub>IL</sub> | 0.69 | 0.8              | 1.03 | V     | V <sub>CCPECL</sub> = 2.5 V |
| Input High voltage     | V <sub>IH</sub> | 1.34 | 1.6              | 1.62 | V     | V <sub>CCPECL</sub> = 2.5 V |
| <b>3.3 V Operation</b> |                 |      |                  |      |       |                             |
| Input Low voltage      | V <sub>IL</sub> | 1.49 | 1.6              | 1.83 | V     | V <sub>CCPECL</sub> = 3.3 V |
| Input High voltage     | V <sub>IH</sub> | 2.14 | 2.4              | 2.42 | V     | V <sub>CCPECL</sub> = 3.3 V |

1. Typical values are at 25 °C and are for design aid only; not guaranteed and not subject to production testing.  
 2. For 2.5 V operation, SD\_2P5V = V<sub>CCPECL</sub> and V<sub>CCPECL</sub>=2.5 V.  
 3. For 3.3 V operation, SD\_2P5V = G<sub>NDPECL</sub> or Floating and V<sub>CCPECL</sub>=3.3 V.

**Table 57 Required Clock Characteristics**

| Parameter   | Sym             | Min | Typ <sup>2</sup> | Max  | Units | Test Conditions        |
|---|-----------------|-----|------------------|------|-------|------------------------|
| SMII Input frequency                                | f               | –   | 125              | –    | MHz   | –                      |
| RMII Input frequency                                | f               | –   | 50               | –    | MHz   | –                      |
| Input clock frequency tolerance <sup>1</sup>        | Δf              | –   | –                | ± 50 | ppm   | –                      |
| Input clock duty cycle <sup>1</sup>                 | T <sub>dc</sub> | 35  | 50               | 65   | %     | RMII selection         |
| Input clock duty cycle - REFCLK, TxCLK <sup>1</sup> | T <sub>dc</sub> | 40  | 50               | 60   | %     | SMII/SS-SMII selection |
| Output RxCLK duty cycle                             | T <sub>dc</sub> | 45  | 50               | 55   | %     | SS-SMII only           |

1. Parameter is guaranteed by design; not subject to production testing.  
 2. Typical values are at 25 °C and are for design aid only; not guaranteed and not subject to production testing.

**Table 58 100BASE-TX Transceiver Characteristics**

| Parameter                                  | Sym                 | Min  | Typ <sup>1</sup> | Max     | Units | Test Conditions                                    |
|--|---------------------|------|------------------|---------|-------|--|
| Peak differential output voltage           | V <sub>P</sub>      | 0.95 | –                | 1.05    | V     | Note 2   |
| Signal amplitude symmetry                  | V <sub>SS</sub>     | 98   | –                | 102     | %     | Note 2   |
| Signal rise/fall time                      | t <sub>rf</sub>     | 3    | –                | 5       | ns    | Note 2   |
| Rise/fall time symmetry                    | t <sub>rfs</sub>    | –    | –                | 0.5     | ns    | Note 2   |
| Duty cycle distortion                      | –                   | –    | –                | +/- 0.5 | ns    | Offset from 16 ns pulse width at 50% of pulse peak |
| Overshoot                                  | V <sub>O</sub>      | –    | –                | 5       | %     | –  |
| Jitter magnitude (measured differentially) | t <sub>tx-jit</sub> | –    | –                | 1.4     | ns    | –  |

1. Typical values are at 25 °C and are for design aid only; not guaranteed and not subject to production testing.  
 2. Measured at the line side of the transformer, line replaced by 100Ω (+/-1%) resistor.

**Table 59 100BASE-FX Transceiver Characteristics**

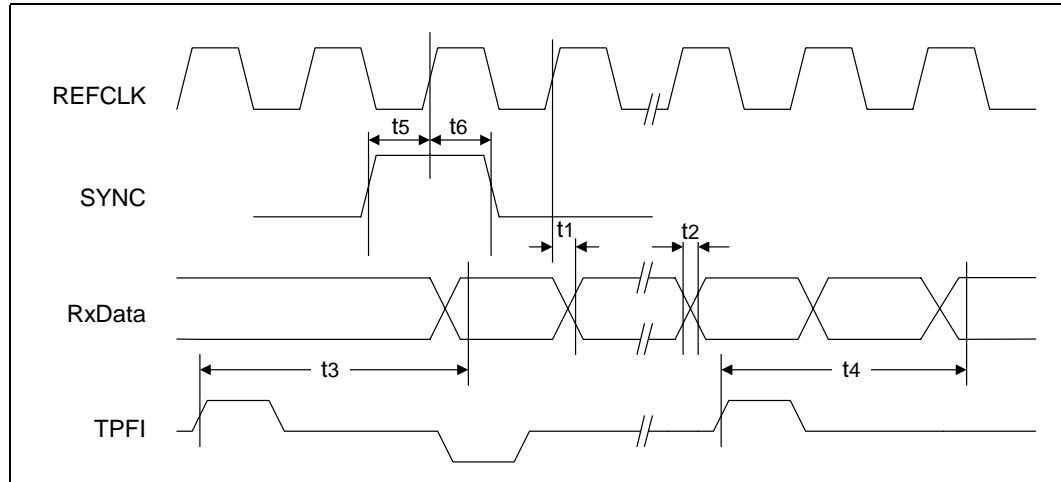
| Parameter                                  | Sym                  | Min                    | Typ <sup>1</sup> | Max                    | Units | Test Conditions |
|--|----------------------|------------------------|------------------|------------------------|-------|-----------------|
| <b>Transmitter</b>                         |                      |                        |                  |                        |       |                 |
| Peak-to-peak differential output voltage   | V <sub>DIFFP-P</sub> | 0.6                    | 1.44             | –                      | V     | –               |
| Signal rise/fall time                      | t <sub>rf</sub>      | –                      | –                | 1.8                    | ns    | Note 2          |
| Jitter magnitude (measured differentially) | t <sub>tx-jit</sub>  | –                      | –                | 1.4                    | ns    | –               |
| <b>Receiver</b>                            |                      |                        |                  |                        |       |                 |
| Peak differential input voltage            | V <sub>IP</sub>      | 0.55                   | –                | –                      | V     | –               |
| Common mode input range                    | V <sub>CMIR</sub>    | –                      | –                | V <sub>CC</sub> - 0.5  | V     | –               |
| Input Low Voltage (SD pins)                | V <sub>IL</sub>      | V <sub>CC</sub> - 1.84 |                  | V <sub>CC</sub> - 1.63 | V     | –               |
| Input High Voltage (SD Pins)               | V <sub>IH</sub>      | V <sub>CC</sub> - 1.04 |                  | V <sub>CC</sub> - 0.88 | V     | –               |

1. Typical values are at 25 °C and are for design aid only; not guaranteed and not subject to production testing.  
 2. 20 - 80 percent into 100 Ω equivalent load of a typical fiber transceiver.

**Table 60 10BASE-T Transceiver Characteristics**

| Parameter  | Sym             | Min | Typ <sup>1</sup> | Max | Units   | Test Conditions         |
|--|-----------------|-----|------------------|-----|---------|-------------------------|
| <b>Transmitter</b>   |                 |     |                  |     |         |                         |
| Peak differential output voltage   | VOP             | 2.2 | 2.5              | 2.8 | V       | Note 2                  |
| Link transmit period   | –               | 8   | –                | 24  | ms      | –                       |
| Jitter magnitude added by the MAU and PLS sections <sup>3,4</sup>  | $t_{tx-jit}$    | –   | –                | 11  | ns      | –                       |
| <b>Receiver</b>  |                 |     |                  |     |         |                         |
| Receive input impedance <sup>3</sup>   | Z <sub>IN</sub> | –   | 100              | –   | W       | Between TPFIP and TPFIN |
| Link min receive timer   | TLRmin          | 2   | –                | 7   | ms      | –                       |
| Link max receive timer   | TLRmax          | 50  | –                | 150 | ms      | –                       |
| Differential squelch threshold   | VDS             | –   | 475              | –   | mV Peak | 5 MHz square wave input |
| 1. Typical values are at 25 °C and are for design aid only; not guaranteed and not subject to production testing.<br>2. Parameter is guaranteed by design; not subject to production testing.<br>3. IEEE 802.3 specifies maximum jitter addition at 1.5 ns for the AUI cable, 0.5 ns from the encoder, and 3.5 ns from the MAU.<br>4. After line model specified by IEEE 802.3 for 10BASE-T MAU. |                 |     |                  |     |         |                         |

**Figure 39 SMII - 100BASE-TX Receive Timing**

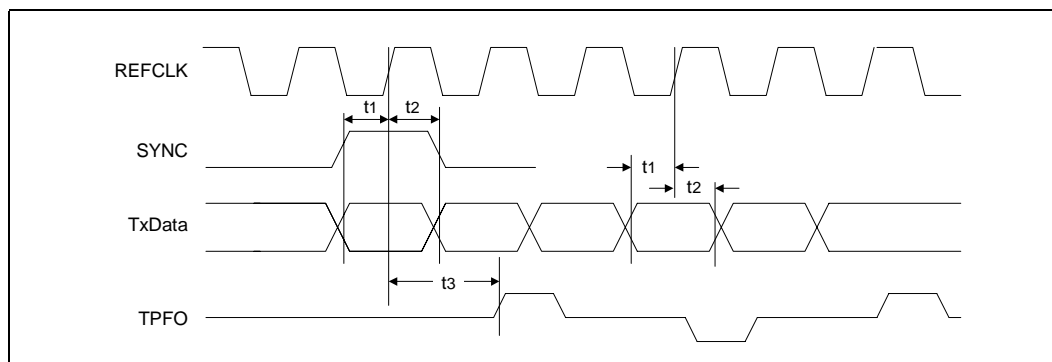


**Table 61 SMII - 100BASE-TX Receive Timing Parameters**

| Parameter                                   | Sym | Min | Typ1 | Max | Units           | Test Conditions                         |
|---|-----|-----|------|-----|-----------------|---|
| RxData output delay from REFCLK rising edge | t1  | 1.5 | –    | 5   | ns              | Minimum CL = 5 pF<br>Maximum CL = 20 pF |
| RxData Rise/Fall Time                       | t2  | –   | 1.0  | –   | ns              | –                                       |
| Receive start of /J/ to CRS asserted        | t3  | –   | 21   | 29  | BT <sup>2</sup> | Synchronous sampling of SMII            |
| Receive start of /T/ to CRS de-asserted     | t4  | –   | 25   | 30  | BT <sup>2</sup> | Synchronous sampling of SMII            |
| SYNC setup to REFCLK rising edge            | t5  | 1.5 | –    | –   | ns              | –                                       |
| SYNC hold from REFCLK rising edge           | t6  | 1.0 | –    | –   | ns              | –                                       |

1. Typical values are at 25 °C and are for design aid only; not guaranteed and not subject to production testing.  
 2. "BT" signifies bit times at the line rate (that is, BT = 100 ns if using 10BASE-T, BT = 10 ns if using 100BASE-TX or 100BASE-FX).  
**Note:** The table latency values are derived with the hardware configuration pins FIFOSEL[1:0] set at a default configuration of 00 (32 bits of initial fill).

**Figure 40 SMII - 100BASE-TX Transmit Timing**

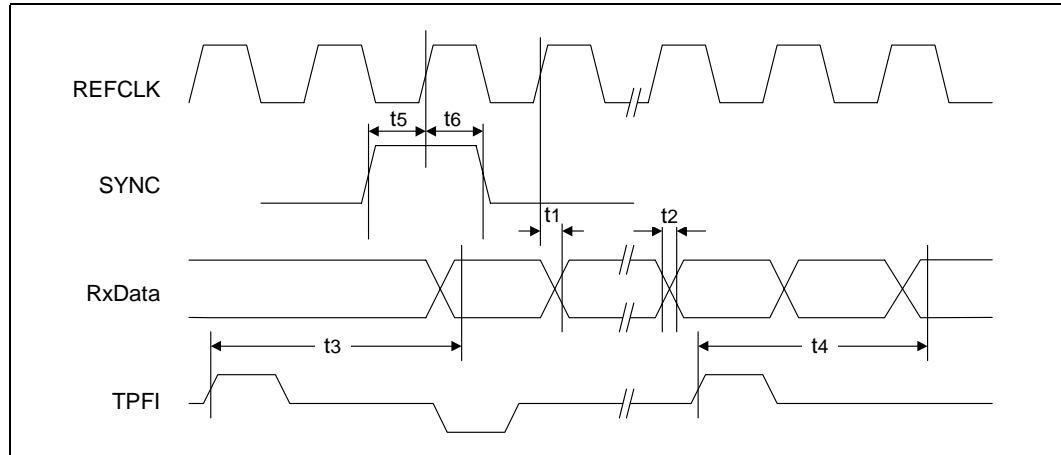


**Table 62 SMII - 100BASE-TX Transmit Timing Parameters**

| Parameter   | Sym | Min | Typ1 | Max | Units           | Test Conditions |
|---|-----|-----|------|-----|-----------------|-----------------|
| SYNC setup to REFCLK rising edge and TxData setup to REFCLK rising edge   | t1  | 1.5 | –    | –   | ns              | –               |
| SYNC hold from REFCLK rising edge and TxData hold from REFCLK rising edge | t2  | 1.0 | –    | –   | ns              | –               |
| TxEN sampled to start of /J/  | t3  | –   | 11   | 18  | BT <sup>2</sup> | –               |

1. Typical values are at 25 °C and are for design aid only; not guaranteed and not subject to production testing.  
 2. "BT" signifies bit times at the line rate (that is, BT = 100 ns if using 10BASE-T, BT = 10 ns if using 100BASE-TX or 100BASE-FX).  
**Note:** The table latency values are derived with the hardware configuration pins FIFOSEL[1:0] set at a default configuration of 00 (32 bits of initial fill).

**Figure 41** SMII - 100BASE-FX Receive Timing

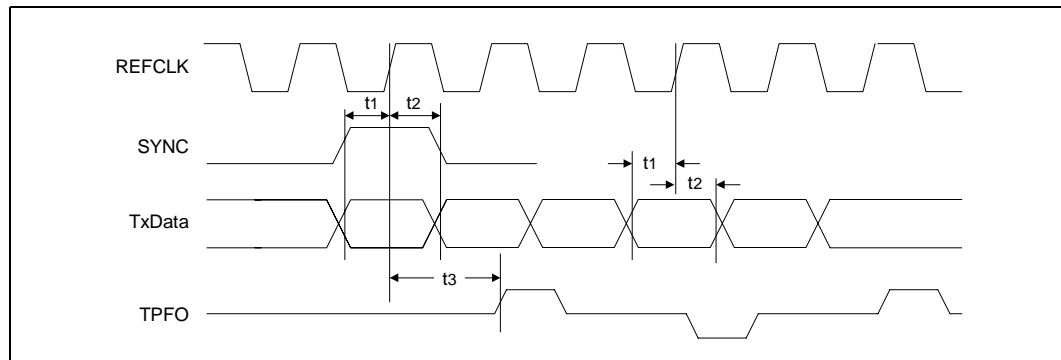


**Table 63** SMII - 100BASE-FX Receive Timing Parameters

| Parameter                                   | Sym | Min | Typ1 | Max | Units           | Test Conditions                         |
|---|-----|-----|------|-----|-----------------|---|
| RxData output delay from REFCLK rising edge | t1  | 1.5 | –    | 5   | ns              | Minimum CL = 5 pF<br>Maximum CL = 20 pF |
| RxData Rise/Fall Time                       | t2  | –   | 1    | –   | ns              | –                                       |
| Receive start of /J/ to CRS asserted        | t3  | –   | 18   | 26  | BT <sup>2</sup> | Synchronous sampling of SMII            |
| Receive start of /T/ to CRS de-asserted     | t4  | –   | 23   | 27  | BT <sup>2</sup> | Synchronous sampling of SMII            |
| SYNC setup to REFCLK rising edge            | t5  | 1.5 | –    | –   | ns              | –                                       |
| SYNC hold from REFCLK rising edge           | t6  | 1.0 | –    | –   | ns              | –                                       |

1. Typical values are at 25 °C and are for design aid only; not guaranteed and not subject to production testing.  
 2. "BT" signifies bit times at the line rate (that is, BT = 100 ns if using 10BASE-T, BT = 10 ns if using 100BASE-TX or 100BASE-FX).  
**Note:** The table latency values are derived with the hardware configuration pins FIFOSEL[1:0] set at a default configuration of 00 (32 bits of initial fill).

**Figure 42** SMII - 100BASE-FX Transmit Timing



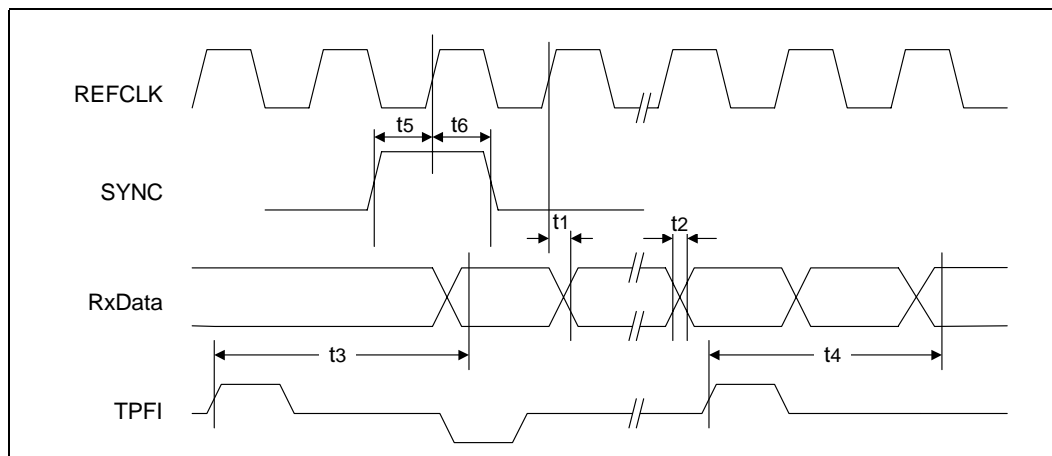


**Table 64 SMII - 100BASE-FX Transmit Timing Parameters**

| Parameter   | Sym | Min | Typ1 | Max | Units           | Test Conditions |
|---|-----|-----|------|-----|-----------------|-----------------|
| SYNC setup to REFCLK rising edge and TxData setup to REFCLK rising edge   | t1  | 1.5 | –    | –   | ns              | –               |
| SYNC hold from REFCLK rising edge and TxData hold from REFCLK rising edge | t2  | 1.0 | –    | –   | ns              | –               |
| TxEN sampled to start of /J/  | t3  | –   | 10   | 17  | BT <sup>2</sup> |                 |

1. Typical values are at 25 °C and are for design aid only; not guaranteed and not subject to production testing.  
 2. "BT" signifies bit times at the line rate (that is, BT = 100 ns if using 10BASE-T, BT = 10 ns if using 100BASE-TX or 100BASE-FX).  
**Note:** The table latency values are derived with the hardware configuration pins FIFOSEL[1:0] set at a default configuration of 00 (32 bits of initial fill).

**Figure 43 SMII - 10BASE-T Receive Timing**



**Table 65 SMII - 10BASE-T Receive Timing Parameters (Sheet 1 of 2)**

| Parameter                                   | Sym | Min | Typ1 | Max | Units           | Test Conditions                           |
|---|-----|-----|------|-----|-----------------|---|
| RxData output delay from REFCLK rising edge | t1  | 1.5 | –    | 5   | ns              | Minimum CL = 5 pF<br>Maximum CL = 20 pF   |
| RxData Rise/Fall Time                       | t2  | –   | 1    | –   | ns              | –   |
| Receive Start-of-Frame to CRS asserted      | t3  | –   | 17   | 21  | BT <sup>3</sup> | Synchronous sampling of SMII <sup>2</sup> |

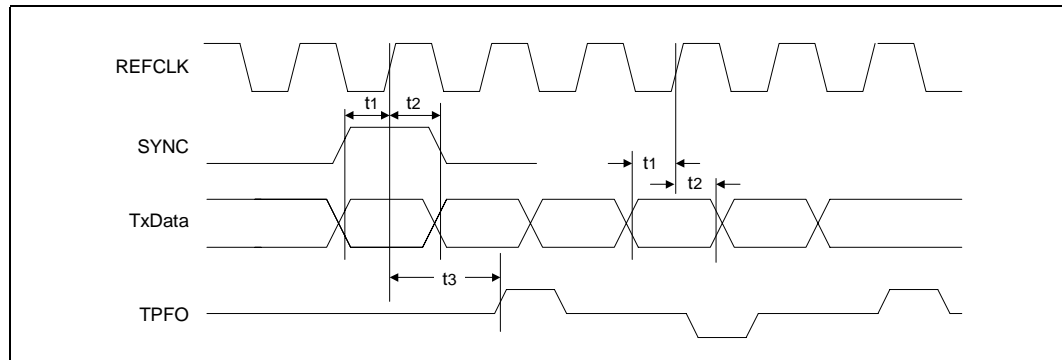
1. Typical values are at 25 °C and are for design aid only; not guaranteed and not subject to production testing.  
 2. Assumes each SMII segment is sampled for CRS.  
 3. "BT" signifies bit times at the line rate (that is, BT = 100 ns if using 10BASE-T, BT = 10 ns if using 100BASE-TX or 100BASE-FX).  
**Note:** The table latency values are derived with the hardware configuration pins FIFOSEL[1:0] set at a default configuration of 00 (32 bits of initial fill).

**Table 65 SMII - 10BASE-T Receive Timing Parameters (Sheet 2 of 2)**

| Parameter                                | Sym | Min | Typ1 | Max | Units           | Test Conditions                           |
|--|-----|-----|------|-----|-----------------|---|
| Receive Start-of-Idle to CRS de-asserted | t4  | –   | 17   | 18  | BT <sup>3</sup> | Synchronous sampling of SMII <sup>2</sup> |
| SYNC setup to REFCLK rising edge         | t5  | 1.5 | –    | –   | ns              | –   |
| SYNC hold from REFCLK rising edge        | t6  | 1.0 | –    | –   | ns              | –   |

1. Typical values are at 25 °C and are for design aid only; not guaranteed and not subject to production testing.  
 2. Assumes each SMII segment is sampled for CRS.  
 3. "BT" signifies bit times at the line rate (that is, BT = 100 ns if using 10BASE-T, BT = 10 ns if using 100BASE-TX or 100BASE-FX).  
**Note:** The table latency values are derived with the hardware configuration pins FIFOSEL[1:0] set at a default configuration of 00 (32 bits of initial fill).

**Figure 44 SMII - 10BASE-T Transmit Timing**

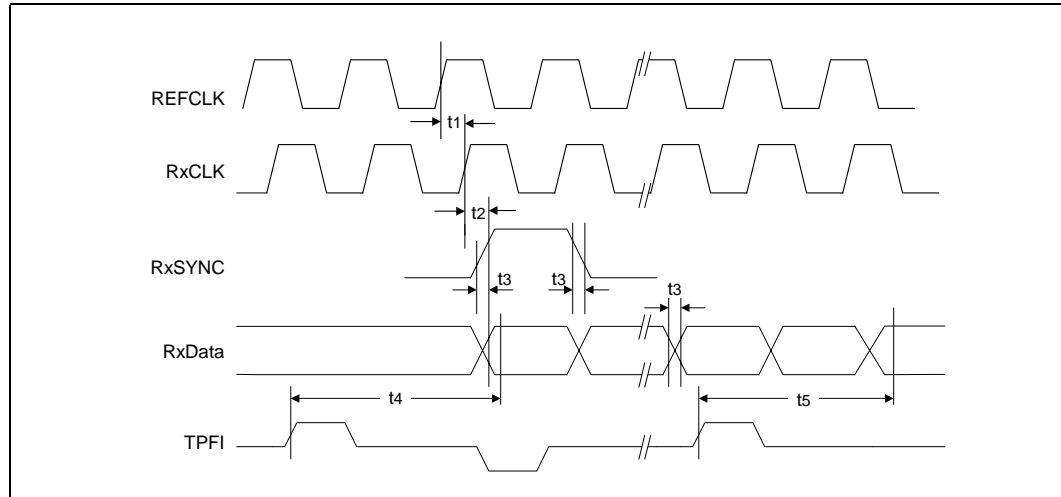


**Table 66 SMII-10BASE-T Transmit Timing Parameters**

| Parameter   | Sym | Min | Typ1 | Max | Units           | Test Conditions |
|---|-----|-----|------|-----|-----------------|-----------------|
| SYNC setup to REFCLK rising edge and TxData setup to REFCLK rising edge | t1  | 1.5 | –    | –   | ns              | –               |
| SYNC hold to REFCLK rising edge and TxData hold from REFCLK rising edge | t2  | 1.0 | –    | –   | ns              | –               |
| TxEN sampled to start-of-frame  | t3  | –   | 10   | 14  | BT <sup>2</sup> | –               |

1. Typical values are at 25 °C and are for design aid only; not guaranteed and not subject to production testing.  
 2. "BT" signifies bit times at the line rate (that is, BT = 100 ns if using 10BASE-T, BT = 10 ns if using 100BASE-TX or 100BASE-FX).  
**Note:** The table latency values are derived with the hardware configuration pins FIFOSEL[1:0] set at a default configuration of 00 (32 bits of initial fill).

**Figure 45 SS-SMII - 100BASE-TX Receive Timing**

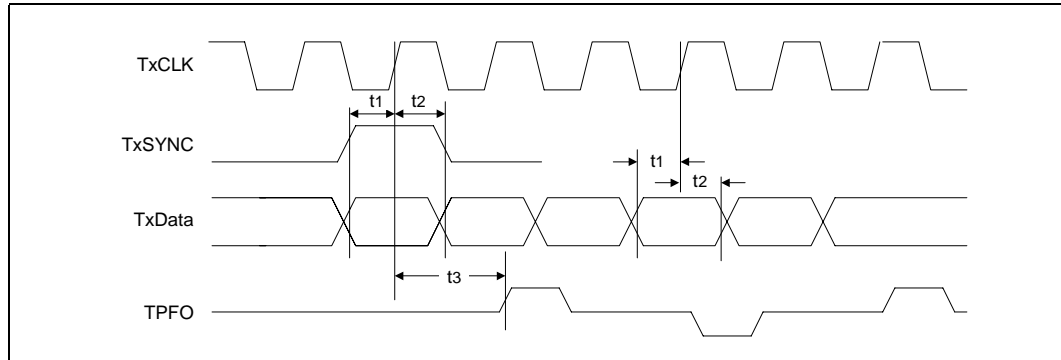


**Table 67 SS-SMII - 100BASE-TX Receive Timing Parameters**

| Parameter   | Sym | Min | Typ1 | Max | Units           | Test Conditions                       |
|---|-----|-----|------|-----|-----------------|---------------------------------------|
| REFCLK rising edge to RxCLK rising edge           | t1  | –   | 1.5  | –   | ns              | –                                     |
| RxData/RxSYNC output delay from RxCLK rising edge | t2  | 1.5 | –    | 5   | ns              | Minimum CL = 5pF<br>Maximum CL = 40pF |
| RxData/RxSYNC Rise/Fall time                      | t3  | –   | 1.0  | –   | ns              | –                                     |
| Receive start of /J/ to CRS asserted              | t4  | –   | 21   | 27  | BT <sup>2</sup> | –                                     |
| Receive start of /T/ to CRS de-asserted           | t5  | –   | 25   | 30  | BT <sup>2</sup> | –                                     |

1. Typical values are at 25 °C and are for design aid only; not guaranteed and not subject to production testing.  
 2. "BT" signifies bit times at the line rate (that is, BT = 100 ns if using 10BASE-T, BT = 10 ns if using 100BASE-TX or 100BASE-FX).  
**Note:** The table latency values are derived with the hardware configuration pins FIFOSEL[1:0] set at a default configuration of 00 (32 bits of initial fill).

**Figure 46 SS-SMII - 100BASE-TX Transmit Timing**

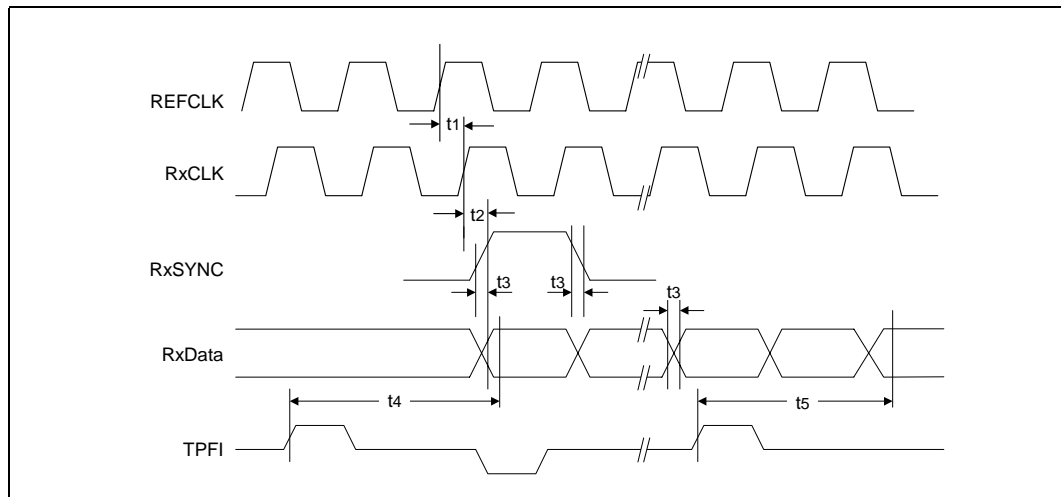


**Table 68 SS-SMII - 100BASE-TX Transmit Timing**

| Parameter   | Sym | Min | Typ1 | Max | Units           | Test Conditions |
|---|-----|-----|------|-----|-----------------|-----------------|
| TxSYNC setup to TxCLK rising edge and TxData setup to TxCLK rising edge | t1  | 1.5 | –    | –   | ns              | –               |
| TxSYNC hold from TxCLK rising edge and TxData hold to TxCLK rising edge | t2  | 1.0 | –    | –   | ns              | –               |
| TxEN sampled to start of /J/  | t3  | –   | 11   | 18  | BT <sup>2</sup> | –               |

1. Typical values are at 25 °C and are for design aid only; not guaranteed and not subject to production testing.  
 2. "BT" signifies bit times at the line rate (that is, BT = 100 ns if using 10BASE-T, BT = 10 ns if using 100BASE-TX or 100BASE-FX).  
**Note:** The table latency values are derived with the hardware configuration pins FIFOSEL[1:0] set at a default configuration of 00 (32 bits of initial fill).

**Figure 47 SS-SMII - 100BASE-FX Receive Timing**

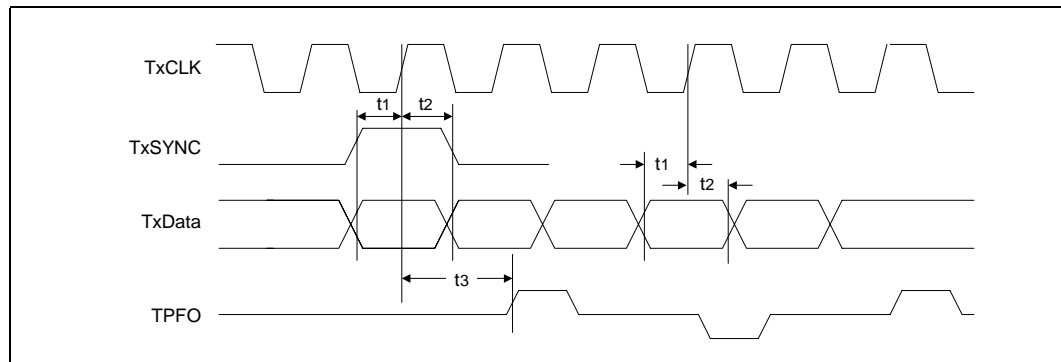


**Table 69 SS-SMII - 100BASE-FX Receive Timing Parameters**

| Parameter   | Sym | Min | Typ1 | Max | Units           | Test Conditions                       |
|---|-----|-----|------|-----|-----------------|---------------------------------------|
| REFCLK rising edge to RxCLK rising edge           | t1  | –   | 1.5  |     | ns              | –                                     |
| RxData/RxSYNC output delay from RxCLK rising edge | t2  | 1.5 | –    | 5   | ns              | Minimum CL = 5pF<br>Maximum CL = 40pF |
| RxData/RxSYNC Rise/Fall time                      | t3  | –   | 1    | –   | ns              | –                                     |
| Receive start of /J/ to CRS asserted              | t4  | –   | 18   | 23  | BT <sup>2</sup> | –                                     |
| Receive start of /T/ to CRS de-asserted           | t5  | –   | 21   | 26  | BT <sup>2</sup> | –                                     |

1. Typical values are at 25 °C and are for design aid only; not guaranteed and not subject to production testing.  
 2. "BT" signifies bit times at the line rate (that is, BT = 100 ns if using 10BASE-T, BT = 10 ns if using 100BASE-TX or 100BASE-FX).  
**Note:** The table latency values are derived with the hardware configuration pins FIFOSEL[1:0] set at a default configuration of 00 (32 bits of initial fill).

**Figure 48 SS-SMII - 100BASE-FX Transmit Timing**

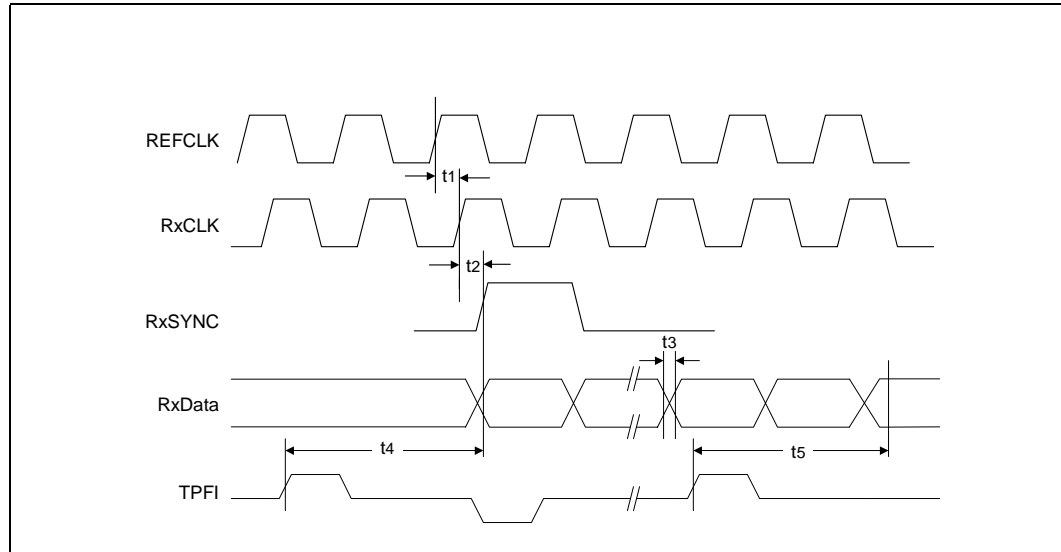


**Table 70 SS-SMII - 100BASE-FX Transmit Timing Parameters**

| Parameter   | Sym | Min | Typ1 | Max | Units           | Test Conditions |
|---|-----|-----|------|-----|-----------------|-----------------|
| TxSYNC setup to TxCLK rising edge and TxData setup to TxCLK rising edge | t1  | 1.5 | –    | –   | ns              | –               |
| TxSYNC hold from TxCLK rising edge and TxData hold to TxCLK rising edge | t2  | 1.0 | –    | –   | ns              | –               |
| TxData to TPFO Latency  | t3  | –   | 11   | 13  | BT <sup>2</sup> | –               |

1. Typical values are at 25 °C and are for design aid only; not guaranteed and not subject to production testing.  
 2. "BT" signifies bit times at the line rate (that is, BT = 100 ns if using 10BASE-T, BT = 10 ns if using 100BASE-TX or 100BASE-FX).  
**Note:** The table latency values are derived with the hardware configuration pins FIFOSEL[1:0] set at a default configuration of 00 (32 bits of initial fill).

**Figure 49 SS-SMII - 10BASE-T Receive Timing**

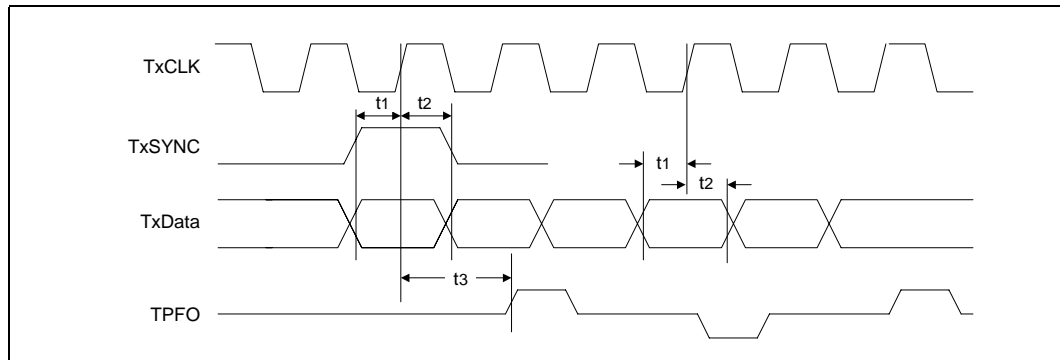


**Table 71 SS-SMII - 10BASE-T Receive Timing Parameters**

| Parameter   | Sym | Min | Typ1 | Max | Units           | Test Conditions                           |
|---|-----|-----|------|-----|-----------------|---|
| REFCLK rising edge to RxCLK rising edge           | t1  | –   | 1.5  | –   | ns              | –   |
| RxData/RxSYNC output delay from RxCLK rising edge | t2  | 1.5 | –    | 5   | ns              | Minimum CL = 5pF<br>Maximum CL = 40pF     |
| RxData/RxSYNC Rise/Fall time                      | t3  | –   | 1    | –   | ns              | –   |
| Receive Start-of-Frame to CRS asserted            | t4  | –   | 10   | 11  | BT <sup>3</sup> | Synchronous sampling of SMII <sup>2</sup> |
| Receive Start-of-Idle to CRS de-asserted          | t5  | –   | 18   | 21  | BT <sup>3</sup> | Synchronous sampling of SMII <sup>2</sup> |

1. Typical values are at 25 °C and are for design aid only; not guaranteed and not subject to production testing.  
 2. Assumes each SMII segment is sampled for CRS.  
 3. "BT" signifies bit times at the line rate (that is, BT = 100 ns if using 10BASE-T, BT = 10 ns if using 100BASE-TX or 100BASE-FX).  
**Note:** The table latency values are derived with the hardware configuration pins FIFOSEL[1:0] set at a default configuration of 00 (32 bits of initial fill).

**Figure 50 SS-SMII - 10BASE-T Transmit Timing**

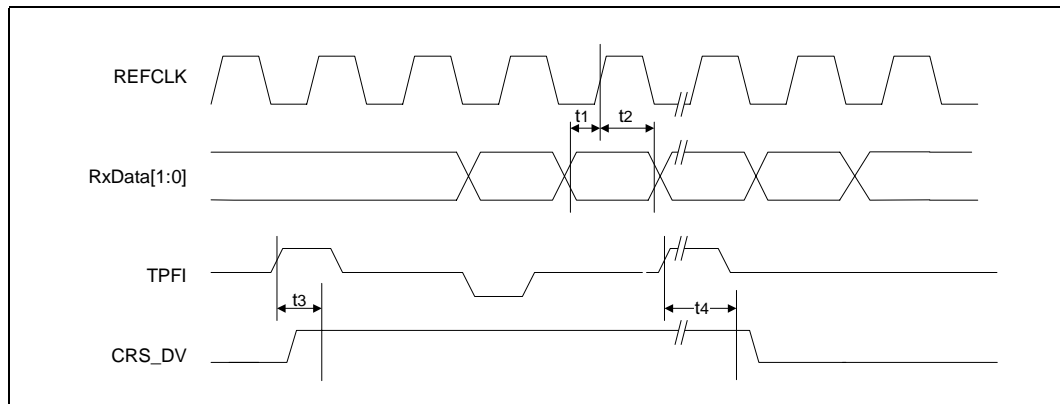


**Table 72 SS-SMII - 10BASE-T Transmit Timing Parameters**

| Parameter   | Sym | Min | Typ1 | Max | Units           | Test Conditions |
|---|-----|-----|------|-----|-----------------|-----------------|
| TxSYNC setup to TxCLK rising edge and TxData setup to TxCLK rising edge | t1  | 1.5 | –    | –   | ns              | –               |
| TxSYNC hold to TxCLK rising edge and TxData hold from TxCLK rising edge | t2  | 1.0 | –    | –   | ns              | –               |
| TxData to TPFO Latency  | t3  | –   | 10   | 14  | BT <sup>2</sup> | –               |

1. Typical values are at 25 °C and are for design aid only; not guaranteed and not subject to production testing.  
 2. "BT" signifies bit times at the line rate (that is, BT = 100 ns if using 10BASE-T, BT = 10 ns if using 100BASE-TX or 100BASE-FX).  
**Note:** The table latency values are derived with the hardware configuration pins FIFOSEL[1:0] set at a default configuration of 00 (32 bits of initial fill).

**Figure 51 RMI - 100BASE-TX Receive Timing**

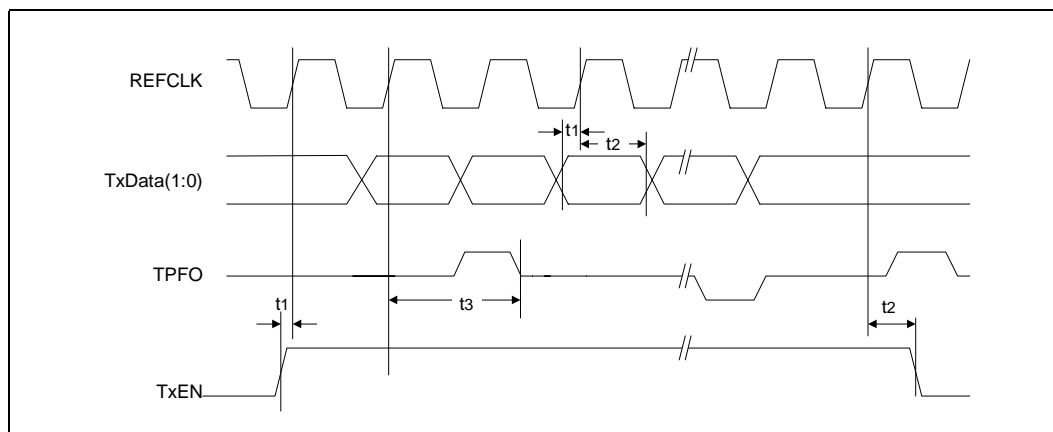


**Table 73 RMI - 100BASE-TX Receive Timing Parameters**

| Parameter   | Sym | Min | Typ1 | Max | Units           | Test Conditions |
|---|-----|-----|------|-----|-----------------|-----------------|
| RxData<1:0>, CRS_DV, RXER setup to REFCLK rising edge <sup>3</sup>  | t1  | 4   | –    | 14  | ns              | –               |
| RxData<1:0>, CRS_DV, RXER hold from REFCLK rising edge <sup>3</sup> | t2  | 2   | –    | 14  | ns              | –               |
| Receive start of /J/ to CRS_DV asserted                             | t3  | –   | 16   | 21  | BT <sup>2</sup> | –               |
| Receive start of /T/ to CRS_DV de-asserted                          | t4  | –   | 20   | 27  | BT <sup>2</sup> | –               |

1. Typical values are at 25 °C and are for design aid only; not guaranteed and not subject to production testing.  
 2. "BT" signifies bit times at the line rate (that is, BT = 100 ns if using 10BASE-T, BT = 10 ns if using 100BASE-TX or 100BASE-FX).  
 3. Values and conditions from RMI Specification, Rev. 1.2.  
**Note:** The table latency values are derived with the hardware configuration pins FIFOSEL[1:0] set at a default configuration of 00 (32 bits of initial fill).

**Figure 52 RMI - 100BASE-TX Transmit Timing**



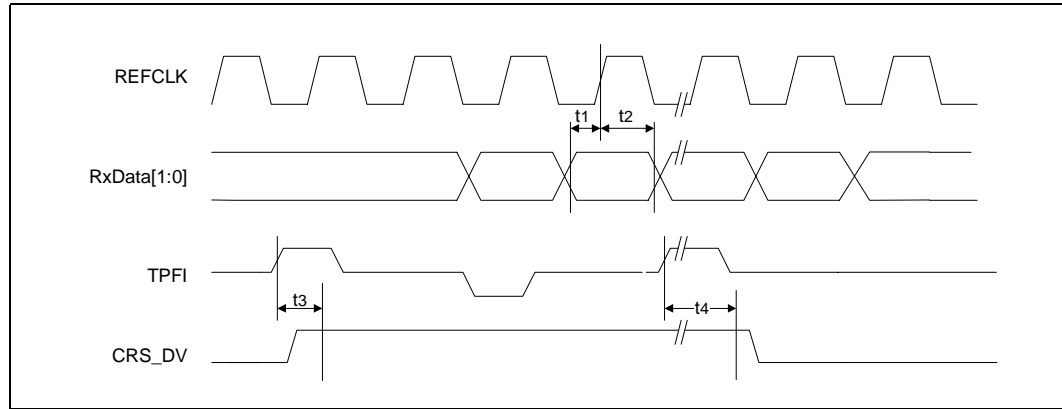
**Table 74 RMI - 100BASE-TX Transmit Timing Parameters**

| Parameter                                     | Sym | Min | Typ1 | Max | Units           | Test Conditions |
|---|-----|-----|------|-----|-----------------|-----------------|
| TxData<1:0>/TxEN setup to REFCLK rising edge  | t1  | 4   | –    | –   | ns              | –               |
| TxData<1:0>/TxEN hold from REFCLK rising edge | t2  | 2   | –    | –   | ns              | –               |
| TxEN sampled to TPFO out (Tx latency)         | t3  | –   | 12   | 17  | BT <sup>2</sup> | –               |

1. Typical values are at 25 °C and are for design aid only; not guaranteed and not subject to production testing.  
 2. "BT" signifies bit times at the line rate (that is, BT = 100 ns if using 10BASE-T, BT = 10 ns if using 100BASE-TX or 100BASE-FX).  
**Note:** The table latency values are derived with the hardware configuration pins FIFOSEL[1:0] set at a default configuration of 00 (32 bits of initial fill).



**Figure 53 RMI - 100BASE-FX Receive Timing**

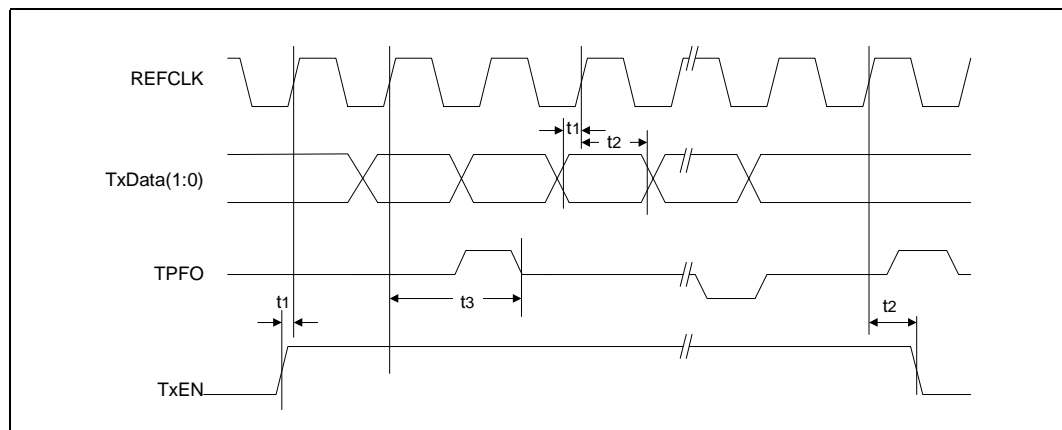


**Table 75 RMI - 100BASE-FX Receive Timing Parameters**

| Parameter   | Sym | Min | Typ1 | Max | Units           | Test Conditions |
|---|-----|-----|------|-----|-----------------|-----------------|
| RxData<1:0>, CRS_DV, RXER setup to REFCLK rising edge <sup>3</sup>  | t1  | 4   | –    | 14  | ns              | –               |
| RxData<1:0>, CRS_DV, RXER hold from REFCLK rising edge <sup>3</sup> | t2  | 2   | –    | 14  | ns              | –               |
| Receive start of /J/ to CRS_DV asserted                             | t3  | –   | 14   | 18  | BT <sup>2</sup> | –               |
| Receive start of /T/ to CRS_DV de-asserted                          | t4  | –   | 18   | 25  | BT <sup>2</sup> | –               |

1. Typical values are at 25 °C and are for design aid only; not guaranteed and not subject to production testing.  
 2. "BT" signifies bit times at the line rate (that is, BT = 100 ns if using 10BASE-T, BT = 10 ns if using 100BASE-TX or 100BASE-FX).  
 3. Values and conditions from RMI Specification, Rev. 1.2.  
**Note:** The table latency values are derived with the hardware configuration pins FIFOSEL[1:0] set at a default configuration of 00 (32 bits of initial fill).

**Figure 54 RMI - 100BASE-FX Transmit Timing**

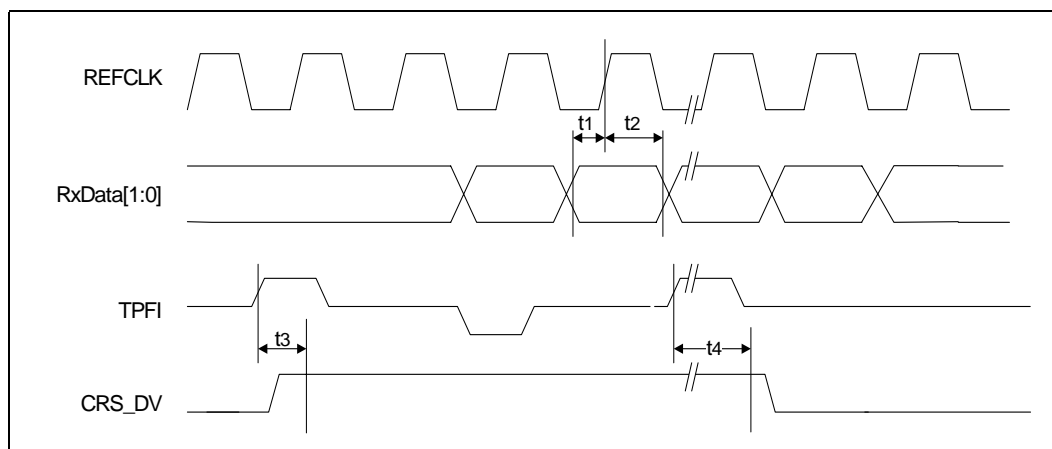


**Table 76 RMI I - 100BASE-FX Transmit Timing Parameters**

| Parameter                                      | Sym | Min | Typ1 | Max | Units           | Test Conditions |
|--|-----|-----|------|-----|-----------------|-----------------|
| TxData<1:0>/TxEN setup to REFCLK rising edge   | t1  | 4   | –    | –   | ns              | –               |
| TxData<1:0>/TX-EN hold from REFCLK rising edge | t2  | 2   | –    | –   | ns              | –               |
| TxEN sampled to TPFO out (Tx latency)          | t3  | –   | 10   | 12  | BT <sup>2</sup> | –               |

1. Typical values are at 25 °C and are for design aid only; not guaranteed and not subject to production testing.  
 2. "BT" signifies bit times at the line rate (that is, BT = 100 ns if using 10BASE-T, BT = 10 ns if using 100BASE-TX or 100BASE-FX).  
**Note:** The table latency values are derived with the hardware configuration pins FIFOSEL[1:0] set at a default configuration of 00 (32 bits of initial fill).

**Figure 55 RMI I - 10BASE-T Receive Timing**

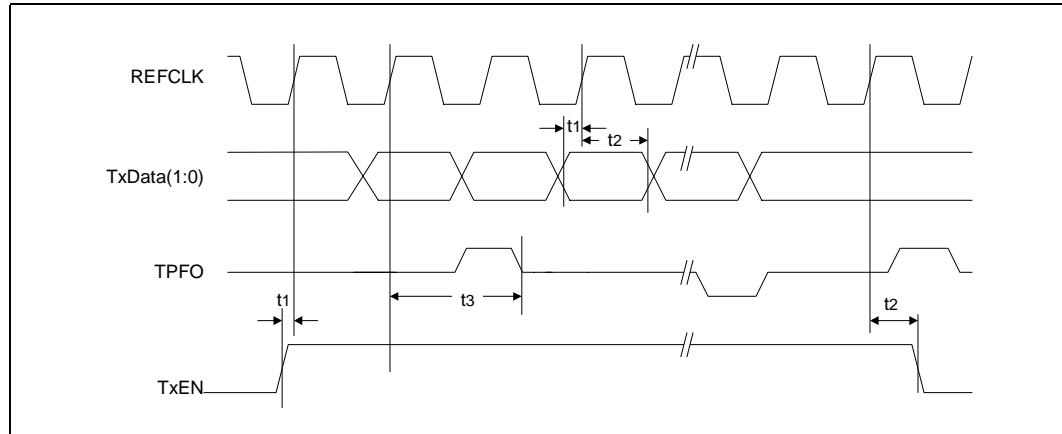


**Table 77 RMI I - 10BASE-T Receive Timing Parameters**

| Parameter   | Sym | Min | Typ1 | Max | Units           | Test Conditions |
|---|-----|-----|------|-----|-----------------|-----------------|
| RxData<1:0>, CRS_DV setup to REFCLK rising edge <sup>3</sup>  | t1  | 4   | –    | 14  | ns              | –               |
| RxData<1:0>, CRS_DV hold from REFCLK rising edge <sup>3</sup> | t2  | 2   | –    | 14  | ns              | –               |
| TPFI in to CRS_DV asserted                                    | t3  | 1.5 | 3    | 4   | BT <sup>2</sup> | –               |
| TPFI quiet to CRS_DV de-asserted                              | t4  | 12  | 15   | 16  | BT <sup>2</sup> | –               |

1. Typical values are at 25 °C and are for design aid only; not guaranteed and not subject to production testing.  
 2. "BT" signifies bit times at the line rate (that is, BT = 100 ns if using 10BASE-T, BT = 10 ns if using 100BASE-TX or 100BASE-FX).  
 3. Values and conditions from RMI I Specification, Rev. 1.2.  
**Note:** The table latency values are derived with the hardware configuration pins FIFOSEL[1:0] set at a default configuration of 00 (32 bits of initial fill).

**Figure 56 RMI I - 10BASE-T Transmit Timing**

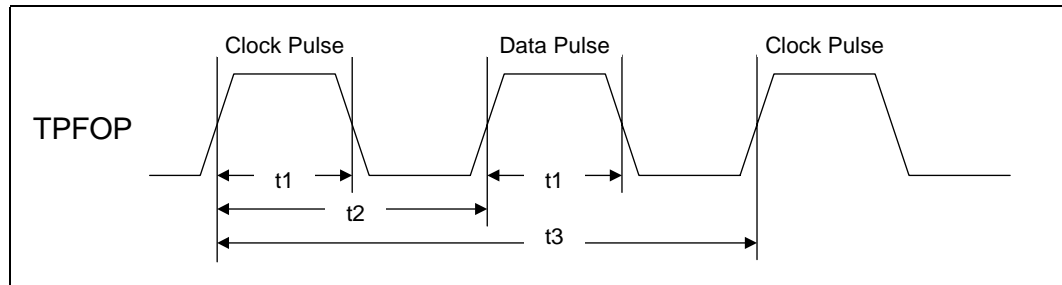


**Table 78 RMI I - 10BASE-T Transmit Timing Parameters**

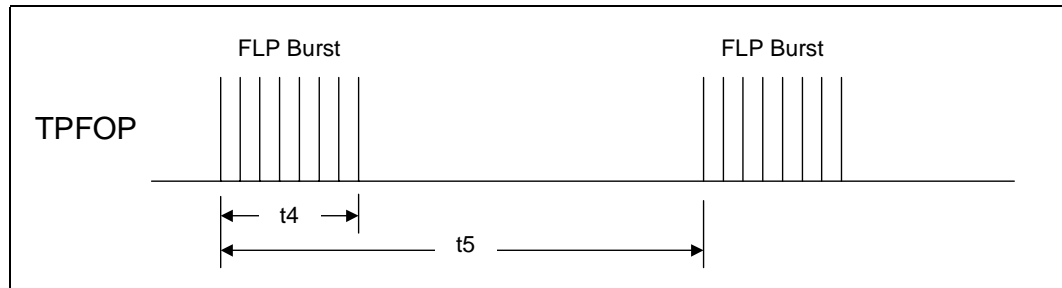
| Parameter                                     | Sym | Min | Typ1 | Max | Units           | Test Conditions |
|---|-----|-----|------|-----|-----------------|-----------------|
| TxData<1:0>/TxEN setup to REFCLK rising edge  | t1  | 4   | –    | –   | ns              | –               |
| TxData<1:0>/TxEN hold from REFCLK rising edge | t2  | 2   | –    | –   | ns              | –               |
| TxEN sampled to TPFO out (Tx latency)         | t3  | –   | 8.5  | 14  | BT <sup>2</sup> | –               |

1. Typical values are at 25 °C and are for design aid only; not guaranteed and not subject to production testing.  
 2. "BT" signifies bit times at the line rate (that is, BT = 100 ns if using 10BASE-T, BT = 10 ns if using 100BASE-TX or 100BASE-FX).  
**Note:** The table latency values are derived with the hardware configuration pins FIFOSEL[1:0] set at a default configuration of 00 (32 bits of initial fill).

**Figure 57 Auto-Negotiation and Fast Link Pulse Timing**



**Figure 58 Fast Link Pulse Timing**

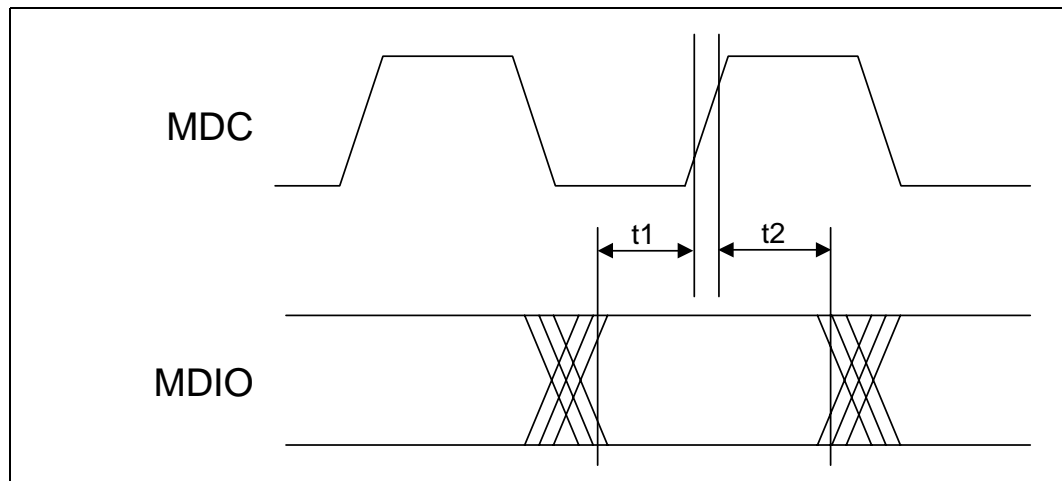


**Table 79 Auto-Negotiation and Fast Link Pulse Timing Parameters**

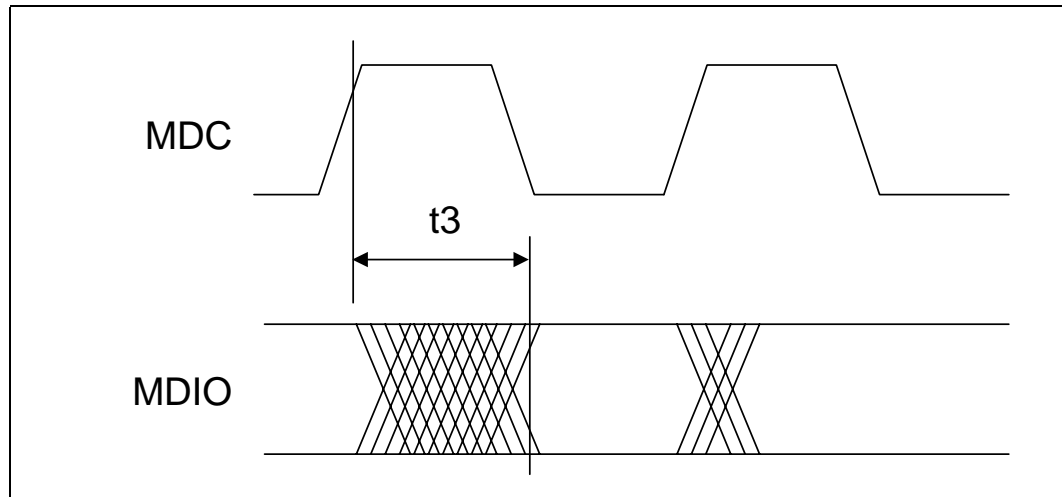
| Parameter                   | Sym | Min  | Typ1 | Max  | Units | Test Conditions |
|-----------------------------|-----|------|------|------|-------|-----------------|
| Clock/Data pulse width      | t1  | –    | 100  | –    | ns    | –               |
| Clock pulse to Data pulse   | t2  | 55.5 | –    | 69.5 | µs    | –               |
| Clock pulse to Clock pulse  | t3  | 111  | –    | 139  | µs    | –               |
| FLP burst width             | t4  | –    | 2    | –    | ms    | –               |
| FLP burst to FLP burst      | t5  | 8    | –    | 24   | ms    | –               |
| Clock/Data pulses per burst | –   | 17   | –    | 33   | ea    | –               |

1. Typical values are at 25 °C and are for design aid only; not guaranteed and not subject to production testing.

**Figure 59 MDIO Write Timing (MDIO Sourced by MAC)**



**Figure 60 MDIO Read Timing (MDIO Sourced by PHY)**

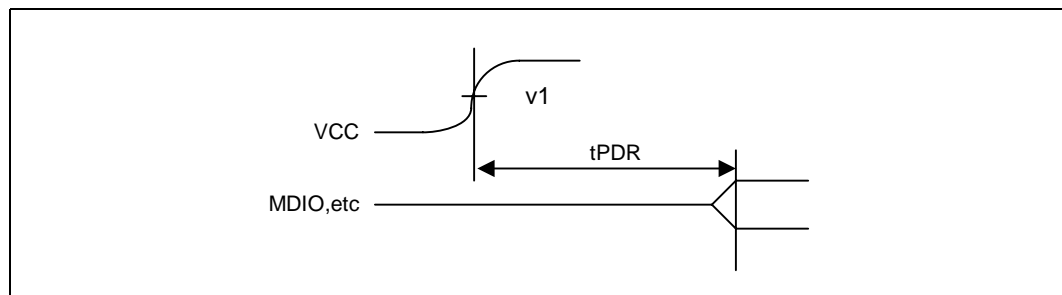


**Table 80 MDIO Timing Parameters**

| Parameter                                | Sym | Min | Typ1 | Max | Units | Test Conditions |
|--|-----|-----|------|-----|-------|-----------------|
| MDIO setup before MDC, sourced by STA    | t1  | 10  | –    | –   | ns    | –               |
| MDIO hold after MDC, sourced by STA      | t2  | 10  | –    | –   | ns    | –               |
| MDC to MDIO output delay, sourced by PHY | t3  | 0   | –    | 40  | ns    | –               |

1. Typical values are at 25° C and are for design aid only; not guaranteed and not subject to production testing.

**Figure 61 Power-Up Timing**

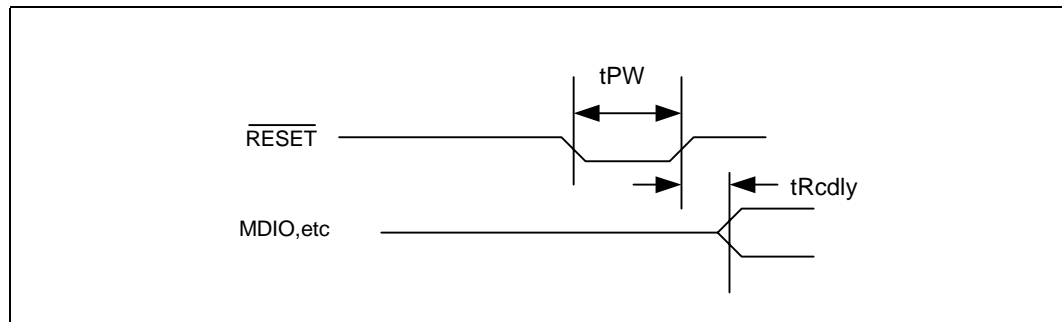


**Table 81 Power-Up Timing Parameters**

| Parameter                        | Sym               | Min | Typ1 | Max | Units | Test Conditions |
|----------------------------------|-------------------|-----|------|-----|-------|-----------------|
| Voltage Threshold                | v1                | 2.1 | –    | –   | V     | –               |
| Power-up recovery time           | t <sub>PDR</sub>  | 100 | –    | –   | ms    | –               |
| Software power-down <sup>2</sup> | t <sub>SPDR</sub> | 20  | –    | –   | ms    | –               |

1. Typical values are at 25° C and are for design aid only; not guaranteed and not subject to production testing.  
 2. The minimum time required between bringing up consecutive ports powered down by Register bit 0.11, or a software or hardware reset.

**Figure 62 RESET\_L Recovery Timing**



**Table 82 RESET\_L Recovery Timing Parameters**

| Parameter            | Sym    | Min | Typ1 | Max | Units | Test Conditions |
|----------------------|--------|-----|------|-----|-------|-----------------|
| Reset pulse width    | tPW    | 10  | –    | –   | ns    | –               |
| Reset recovery delay | tRcdly | 0.4 | –    | –   | ms    | –               |

1. Typical values are at 25° C and are for design aid only; not guaranteed and not subject to production testing.

## 7.0 Register Definitions

The LXT9785/LXT9785E register set includes multiple 16-bit registers and 18 registers per port. [Table 83](#) presents a complete register listing. [Table 84, Control Register \(Address 0\)](#), on page 192 through [Table 101, Cable Diagnostics Register \(Address 29, Hex 1D\)](#), on page 209 define individual registers and [Table 102, Register Bit Map](#), on page 210 provides a consolidated memory map of all registers.

Base registers (0 through 8) are defined in accordance with the “Reconciliation Sublayer and Media Independent Interface” and “Physical Layer Link Signaling for 10/100 Mbps Auto-Negotiation” sections of the IEEE 802.3 standard.

Additional registers (16 through 21, 25, 27, and 29) are defined in accordance with the IEEE 802.3 standard for adding unique device functions.

The BGA15 package on some registers has different default values. Some LXT9785/LXT9785E features are not available on the BGA15 package. These differences are called out in the register description and in the table notes in individual register tables.

**Table 83 Register Set**

| Address | Register Name   | Bit Assignments                                |
|---------|---|--|
| 0       | <i>Control Register (Address 0)</i>   | Refer to <a href="#">Table 84</a> on page 192  |
| 1       | <i>Status Register (Address 1)</i>  | Refer to <a href="#">Table 85</a> on page 193  |
| 2       | <i>PHY Identification Register 1 (Address 2)</i>                            | Refer to <a href="#">Table 86</a> on page 194  |
| 3       | <i>PHY Identification Register 2 (Address 3)</i>                            | Refer to <a href="#">Table 87</a> on page 194  |
| 4       | <i>Auto-Negotiation Advertisement Register (Address 4)</i>                  | Refer to <a href="#">Table 88</a> on page 195  |
| 5       | <i>Auto-Negotiation Link Partner Base Page Ability Register (Address 5)</i> | Refer to <a href="#">Table 89</a> on page 196  |
| 6       | <i>Auto-Negotiation Expansion Register (Address 6)</i>                      | Refer to <a href="#">Table 90</a> on page 197  |
| 7       | <i>Auto-Negotiation Next Page Transmit Register (Address 7)</i>             | Refer to <a href="#">Table 91</a> on page 198  |
| 8       | <i>Auto-Negotiation Link Partner Next Page Receive Register (Address 8)</i> | Refer to <a href="#">Table 92</a> on page 198  |
| 9       | 1000BASE-T/100BASE-T2 Control   | Not Implemented                                |
| 10      | 1000BASE-T/100BASE-T2 Status  | Not Implemented                                |
| 15      | Extended Status   | Not Implemented                                |
| 16      | <i>Port Configuration Register (Address 16, Hex 10)</i>                     | Refer to <a href="#">Table 93</a> on page 199  |
| 17      | <i>Quick Status Register (Address 17, Hex 11)</i>                           | Refer to <a href="#">Table 94</a> on page 200  |
| 18      | <i>Interrupt Enable Register (Address 18, Hex 12)</i>                       | Refer to <a href="#">Table 95</a> on page 201  |
| 19      | <i>Interrupt Status Register (Address 19, Hex 13)</i>                       | Refer to <a href="#">Table 96</a> on page 203  |
| 20      | <i>LED Configuration Register (Address 20, Hex 14)</i>                      | Refer to <a href="#">Table 97</a> on page 204  |
| 21      | <i>Receive Error Count Register (Address 21, Hex 15)</i>                    | Refer to <a href="#">Table 98</a> on page 205  |
| 22-24   | Reserved  | N/A  |
| 25      | <i>RMII Out-of-Band Signaling Register (Address 25, Hex 19)</i>             | Refer to <a href="#">Table 99</a> on page 206  |
| 26      | Reserved  | N/A  |
| 27      | <i>Trim Enable Register (Address 27, Hex 1B)</i>                            | Refer to <a href="#">Table 100</a> on page 207 |

**Table 83 Register Set**

| Address | Register Name  | Bit Assignments                                |
|---------|--|--|
| 28      | Reserved   | N/A  |
| 29      | <i>Cable Diagnostics Register (Address 29, Hex 1D)</i> | Refer to <a href="#">Table 101 on page 209</a> |
| 30 - 31 | Reserved   | N/A  |

**Table 84 Control Register (Address 0)**

| Bit             | Name                     | Description  | Type <sup>1</sup> | Default             |
|-----------------|--------------------------|--|-------------------|---------------------|
| 15              | RESET_L                  | 0 = Normal operation<br>1 = PHY reset  | R/W<br>SC         | 0 <sup>2</sup>      |
| 14 <sup>6</sup> | Loopback                 | 0 = Disable loopback mode<br>1 = Enable loopback mode<br><b>Not recommended to enable auto-negotiation while in internal loopback operation.</b> | R/W               | 0                   |
| 13              | Speed Selection          | 0.6 0.13<br>1 1 = Reserved<br>1 0 = 1000 Mbps (not allowed)<br>0 1 = 100 Mbps<br>0 0 = 10 Mbps   | R/W               | LSHR <sup>3,4</sup> |
| 12              | Auto-Negotiation Enable  | 0 = Disable auto-negotiation process<br>1 = Enable auto-negotiation process  | R/W               | LSHR <sup>3,4</sup> |
| 11              | Power-Down               | 0 = Normal operation<br>1 = Power-down   | R/W               | LSHR <sup>3,5</sup> |
| 10              | Isolate                  | 0 = Normal operation<br>1 = Electrically isolate PHY from RMII/SMII/SS-SMII interfaces   | R/W               | 0                   |
| 9               | Restart Auto-Negotiation | 0 = Normal operation<br>1 = Restart auto-negotiation process   | R/W<br>SC         | 0                   |
| 8               | Duplex Mode              | 0 = Half-duplex<br>1 = Full-duplex   | R/W               | LSHR <sup>3,4</sup> |

1. R/W = Read/Write, SC = Self Clearing when operation complete.  
 2. During a hardware reset, all LHR information is latched in from the pins. During a software reset (0.15), the LSHR information is not re-read from the pins. This information reverts back to the information that was read in during the hardware reset. During a hardware reset, register information is unavailable from 1 ms after de-assertion of the reset. During a software reset (0.15) the registers are available for reading. The reset bit should be polled to see when the part has completed reset.  
 3. LSHR = Default value is derived from a single device input pin state or a group of device input pin states as the pin(s) are latched at startup or hardware reset.  
 4. Default value of Register bits 0.12, 0.13, and 0.8 are determined by the CFG pins as described in [Table 42, Global Hardware Configuration Settings, on page 126](#).  
 5. Default value of Register bit 0.11 is determined by the LINKHOLD configuration pin.  
 6. Link Status is reported in 10 Mbps mode as down and in 100 Mbps mode as up in loopback mode. Register bits 17.12 (Receive Status) and 17.13 (Transmit Status) are not updated in 10 Mbps loopback mode.



**Table 84 Control Register (Address 0)**

| Bit | Name                         | Description  | Type <sup>1</sup> | Default |
|-----|------------------------------|--|-------------------|---------|
| 7   | Collision Test               | This bit is ignored by the LXT9785/LXT9785E<br>0 = Disable COL signal test<br>1 = Enable COL signal test | R/W               | 0       |
| 6   | Speed Selection<br>1000 Mbps | 0.6 0.13<br>1 1 = Reserved<br>1 0 = 1000 Mbps (not allowed)<br>0 1 = 100 Mbps<br>0 0 = 10 Mbps           | R/W               | 0       |
| 5:0 | Reserved                     | Write as 0, ignore on Read   | R/W               | 000000  |

1. R/W = Read/Write, SC = Self Clearing when operation complete.  
 2. During a hardware reset, all LHR information is latched in from the pins. During a software reset (0.15), the LSHR information is not re-read from the pins. This information reverts back to the information that was read in during the hardware reset. During a hardware reset, register information is unavailable from 1 ms after de-assertion of the reset. During a software reset (0.15) the registers are available for reading. The reset bit should be polled to see when the part has completed reset.  
 3. LSHR = Default value is derived from a single device input pin state or a group of device input pin states as the pin(s) are latched at startup or hardware reset.  
 4. Default value of Register bits 0.12, 0.13, and 0.8 are determined by the CFG pins as described in [Table 42, Global Hardware Configuration Settings, on page 126](#).  
 5. Default value of Register bit 0.11 is determined by the LINKHOLD configuration pin.  
 6. Link Status is reported in 10 Mbps mode as down and in 100 Mbps mode as up in loopback mode. Register bits 17.12 (Receive Status) and 17.13 (Transmit Status) are not updated in 10 Mbps loopback mode.

**Table 85 Status Register (Address 1)**

| Bit | Name                      | Description  | Type <sup>1,2</sup> | Default |
|-----|---------------------------|--|---------------------|---------|
| 15  | 100BASE-T4                | 0 = PHY not able to perform 100BASE-T4<br>1 = PHY able to perform 100BASE-T4   | R                   | 0       |
| 14  | 100BASE-X<br>Full-Duplex  | 0 = PHY not able to perform full-duplex 100BASE-X<br>1 = PHY able to perform full-duplex 100BASE-X                   | R                   | 1       |
| 13  | 100BASE-X<br>Half-Duplex  | 0 = PHY not able to perform half-duplex 100BASE-X<br>1 = PHY able to perform half-duplex 100BASE-X                   | R                   | 1       |
| 12  | 10 Mbps Full-Duplex       | 0 = PHY not able to operate at 10 Mbps in full-duplex mode<br>1 = PHY able to operate at 10 Mbps in full-duplex mode | R                   | 1       |
| 11  | 10 Mbps Half-Duplex       | 0 = PHY not able to operate at 10 Mbps in half-duplex mode<br>1 = PHY able to operate at 10 Mbps in half-duplex mode | R                   | 1       |
| 10  | 100BASE-T2<br>Full-Duplex | 0 = PHY not able to perform full-duplex 100BASE-T2<br>1 = PHY able to perform full-duplex 100BASE-T2                 | R                   | 0       |
| 9   | 100BASE-T2<br>Half-Duplex | 0 = PHY not able to perform half-duplex 100BASE-T2<br>1 = PHY able to perform half-duplex 100BASE-T2                 | R                   | 0       |
| 8   | Extended Status           | 0 = No extended status information in Register 15<br>1 = Extended status information in Register 15                  | R                   | 0       |
| 7   | Reserved                  | Write as 0, ignore on Read   | R                   | 0       |

1. R = Read Only  
 2. Bits that Latch High (LH) or Latch Low (LL) automatically clear when read.

**Table 85 Status Register (Address 1)**

| Bit | Name                      | Description  | Type <sup>1</sup> | Default |
|-----|---------------------------|--|-------------------|---------|
| 6   | MF Preamble Suppression   | 0 = PHY will not accept management frames with preamble suppressed<br>1 = PHY accepts management frames with preamble suppressed | R                 | 0       |
| 5   | Auto-Negotiation complete | 0 = Auto-negotiation not complete<br>1 = Auto-negotiation complete   | R                 | 0       |
| 4   | Remote Fault              | 0 = No remote fault condition detected<br>1 = Remote fault condition detected  | R/LL              | 0       |
| 3   | Auto-Negotiation Ability  | 0 = PHY is not able to perform auto-negotiation<br>1 = PHY is able to perform auto-negotiation                                   | R                 | 1       |
| 2   | Link Status               | 0 = Link is down<br>1 = Link is up   | R/LL              | 0       |
| 1   | Jabber Detect             | 0 = Jabber condition not detected<br>1 = Jabber condition detected   | R/LH              | 0       |
| 0   | Extended Capability       | 0 = Basic register capabilities<br>1 = Extended register capabilities  | R                 | 1       |

1. R = Read Only  
 2. Bits that Latch High (LH) or Latch Low (LL) automatically clear when read.

**Table 86 PHY Identification Register 1 (Address 2)**

| Bit  | Name          | Description   | Type <sup>1</sup> | Default  |
|------|---------------|---|-------------------|----------|
| 15:0 | PHY ID Number | The PHY identifier composed of bits 3 through 18 of the OUI | R                 | 0013 hex |

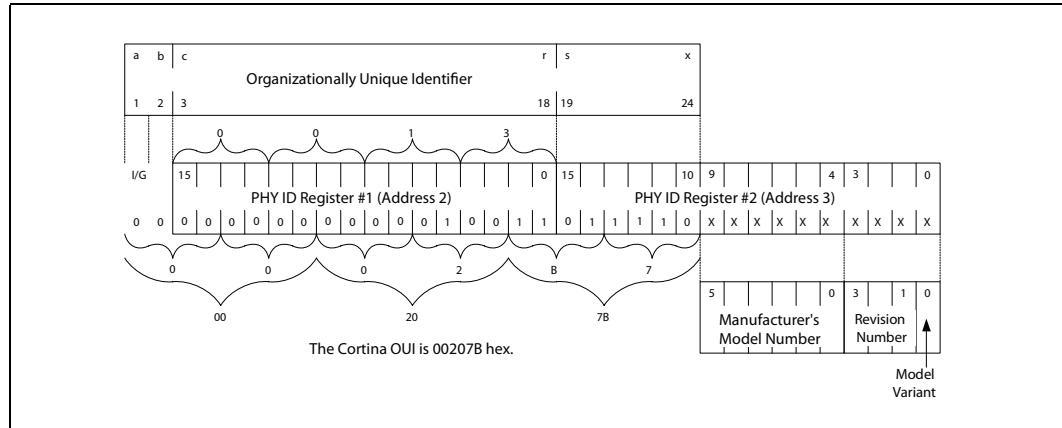
1. R = Read Only

**Table 87 PHY Identification Register 2 (Address 3)**

| Bit   | Name                           | Description  | Type <sup>1</sup> | Default          |
|-------|--------------------------------|--|-------------------|------------------|
| 15:10 | PHY ID Number                  | The PHY identifier composed of bits 19 through 24 of the OUI | R                 | 011110           |
| 9:4   | Manufacturer's Model Number    | 6 bits containing manufacturer's part number                 | R                 | 001111           |
| 3:1   | Manufacturer's Revision Number | 3 bits containing manufacturer's revision number             | R                 | XXX <sup>2</sup> |
| 0     | Model Variant                  | 0 = LXT9785<br>1 = LXT9785/LXT9785E                          | R                 | X <sup>2</sup>   |

1. R = Read Only  
 2. Refer to the Identification Information section in the Cortina Systems® LXT9785/LXT9785E Specification Update.

**Figure 63 PHY Identifier Bit Mapping**



**Table 88 Auto-Negotiation Advertisement Register (Address 4)**

| Bit             | Name               | Description   | Type <sup>1</sup> | Default             |
|-----------------|--------------------|---|-------------------|---------------------|
| 15              | Next Page          | 0 = Port has no ability to send manual next pages<br>1 = Port has ability to send manual next pages<br><b>Note:</b> This bit should only be set to manually control the auto-negotiation process. It is not needed and should be cleared for DTE Discovery. | R/W               | 0                   |
| 14              | Reserved           | Write as 0, ignore on Read  | R                 | 0                   |
| 13 <sup>6</sup> | Remote Fault       | 0 = No remote fault<br>1 = Remote fault   | R/W               | 0                   |
| 12              | Reserved           | Write as 0, ignore on Read  | R/W               | 0                   |
| 11              | Asymmetric Pause   | Pause operation defined in Clause 40 and 27<br>0 = Port is not Pause capable<br>1 = Port can only send Pause  | R/W               | 0                   |
| 10              | Pause <sup>5</sup> | 0 = Pause operation disabled<br>1 = Port can send and receive Pause<br><b>Note:</b> Default for the BGA15 package is 0.   | R/W               | LSHR <sup>2,3</sup> |

1. R/W = Read/Write, R = Read Only
  2. LSHR = Default value is derived from a single device input pin state or a group of device input pin states as the pin(s) are latched at startup or hardware reset.
  3. The default setting of Register bit 4.10 is determined by the PAUSE pin. The BGA15 package does not have a Pause hardware configuration pin and has a default of 0.
  4. Default settings for bits 4.5:8 are determined by CFG pins as described in [Table 42, Global Hardware Configuration Settings, on page 126](#).
  5. Pause operation is only valid for full-duplex modes.
  6. If Register bit 4.13 is set to advertise a fault, Register bit 1.4 will be set. Register bit 4.13 is set or cleared only through the MDC/MDIO interface and is not cleared upon completion of auto-negotiation.
- Note:** Restart the auto-negotiation process whenever Register 4 is written/modified.

**Table 88 Auto-Negotiation Advertisement Register (Address 4)**

| Bit | Name                   | Description   | Type <sup>1</sup> | Default             |
|-----|------------------------|---|-------------------|---------------------|
| 9   | 100BASE-T4             | 0 = 100BASE-T4 capability is not available<br>1 = 100BASE-T4 capability is available<br>(The LXT9785/LXT9785E does not support 100BASE-T4 but allows this bit to be set to advertise in the auto-negotiation sequence for 100BASE-T4 operation. An external 100BASE-T4 transceiver could be switched in if this capability is desired.) | R/W               | 0                   |
| 8   | 100BASE-TX Full-Duplex | 0 = Port is not 100BASE-TX full-duplex capable.<br>1 = Port is 100BASE-TX full-duplex capable   | R/W               | LSHR <sup>2,4</sup> |
| 7   | 100BASE-TX Half-Duplex | 0 = Port is not 100BASE-TX half-duplex capable<br>1 = Port is 100BASE-TX half-duplex capable  | R/W               | LSHR <sup>2,4</sup> |
| 6   | 10BASE-T Full-Duplex   | 0 = Port is not 10BASE-T full-duplex capable<br>1 = Port is 10BASE-T full-duplex capable  | R/W               | LSHR <sup>2,4</sup> |
| 5   | 10BASE-T Half-Duplex   | 0 = Port is not 10BASE-T half-duplex capable<br>1 = Port is 10BASE-T half-duplex capable  | R/W               | LSHR <sup>2,4</sup> |
| 4:0 | Selector Field, S<4:0> | <00001> = IEEE 802.3<br><00010> = IEEE 802.9 ISLAN-16T<br><00000> = Reserved for future auto-negotiation development<br><11111> = Reserved for future auto-negotiation development<br>Unspecified or reserved combinations should not be transmitted  | R/W               | 00001               |

1. R/W = Read/Write, R = Read Only  
 2. LSHR = Default value is derived from a single device input pin state or a group of device input pin states as the pin(s) are latched at startup or hardware reset.  
 3. The default setting of Register bit 4.10 is determined by the PAUSE pin. The BGA15 package does not have a Pause hardware configuration pin and has a default of 0.  
 4. Default settings for bits 4.5:8 are determined by CFG pins as described in [Table 42, Global Hardware Configuration Settings, on page 126](#).  
 5. Pause operation is only valid for full-duplex modes.  
 6. If Register bit 4.13 is set to advertise a fault, Register bit 1.4 will be set. Register bit 4.13 is set or cleared only through the MDC/MDIO interface and is not cleared upon completion of auto-negotiation.  
**Note:** Restart the auto-negotiation process whenever Register 4 is written/modified.

**Table 89 Auto-Negotiation Link Partner Base Page Ability Register (Address 5)**

| Bit | Name             | Description   | Type <sup>1</sup> | Default <sup>2</sup> |
|-----|------------------|---|-------------------|----------------------|
| 15  | Next Page        | 0 = Link partner has no ability to send multiple pages<br>1 = Link partner has ability to send multiple pages   | R                 | 0                    |
| 14  | Acknowledge      | 0 = Link partner has not received Link Code Word from the the LXT9785/LXT9785E<br>1 = Link partner has received Link Code Word from the LXT9785/LXT9785E. | R                 | 0                    |
| 13  | Remote Fault     | 0 = No remote fault<br>1 = Remote fault   | R                 | 0                    |
| 12  | Reserved         | Write as 0, ignore on Read  | R                 | 0                    |
| 11  | Asymmetric Pause | Pause operation defined in Clause 40 and 27<br>0 = Link partner is not Pause capable<br>1 = Link partner can only send Pause                              | R                 | 0                    |

1. R = Read Only  
 2. Default value at the start of auto-negotiation code word transmission.

**Table 89 Auto-Negotiation Link Partner Base Page Ability Register (Address 5)**

| Bit | Name                   | Description   | Type <sup>1</sup> | Default <sup>2</sup> |
|-----|------------------------|---|-------------------|----------------------|
| 10  | Pause                  | 0 = Link partner is not Pause capable<br>1 = Link partner can send and receive Pause  | R                 | 0                    |
| 9   | 100BASE-T4             | 0 = Link partner is not 100BASE-T4 capable<br>1 = Link partner is 100BASE-T4 capable  | R                 | 0                    |
| 8   | 100BASE-TX Full-Duplex | 0 = Link partner is not 100BASE-TX full-duplex capable<br>1 = Link partner is 100BASE-TX full-duplex capable  | R                 | 0                    |
| 7   | 100BASE-TX             | 0 = Link partner is not 100BASE-TX capable<br>1 = Link partner is 100BASE-TX capable  | R                 | 0                    |
| 6   | 10BASE-T Full-Duplex   | 0 = Link partner is not 10BASE-T full-duplex capable<br>1 = Link partner is 10BASE-T full-duplex capable  | R                 | 0                    |
| 5   | 10BASE-T               | 0 = Link partner is not 10BASE-T capable<br>1 = Link partner is 10BASE-T capable  | R                 | 0                    |
| 4:0 | Selector Field S<4:0>  | <00001> = IEEE 802.3<br><00010> = IEEE 802.9 ISLAN-16T<br><00000> = Reserved for future auto-negotiation development<br><11111> = Reserved for future auto-negotiation development<br>Unspecified or reserved combinations shall not be transmitted | R                 | 00000                |

1. R = Read Only  
 2. Default value at the start of auto-negotiation code word transmission.

**Table 90 Auto-Negotiation Expansion Register (Address 6)**

| Bit  | Name                        | Description  | Type <sup>1</sup> | Default |
|------|-----------------------------|--|-------------------|---------|
| 15:5 | Reserved                    | Write as 0, ignore on Read   | R                 | 0x000   |
| 4    | Parallel Detection Fault    | 0 = Parallel detection fault has not occurred<br>1 = Parallel detection fault has occurred   | R/<br>LH          | 0       |
| 3    | Link Partner Next Page Able | 0 = Link partner is not next page able<br>1 = Link partner is next page able   | R                 | 0       |
| 2    | Next Page Able              | 0 = Local device is not next page able<br>1 = Local device is next page able   | R                 | 1       |
| 1    | Page Received               | Indicates that a new page has been received and the received code word has been loaded into Register 5 or Register 8 as specified in clause 28 of 802.3.<br>0 = Three identical and consecutive link code words have not been received from link partner<br>1 = Three identical and consecutive link code words have been received from link partner | R/<br>LH          | 0       |
| 0    | Link Partner A/N Able       | 0 = Link partner is not auto-negotiation able<br>1 = Link partner is auto-negotiation able   | R                 | 0       |

1. R = Read Only, LH = Latching High – cleared when read

**Table 91 Auto-Negotiation Next Page Transmit Register (Address 7)**

| Bit  | Name                           | Description   | Type <sup>1</sup> | Default        |
|------|--------------------------------|---|-------------------|----------------|
| 15   | Next Page (NP)                 | 0 = Last page<br>1 = Additional next pages follow   | R/W               | 0              |
| 14   | Reserved                       | Write as 0, ignore on Read.   | R                 | 0              |
| 13   | Message Page (MP)              | 0 = Unformatted page<br>1 = Message page  | R/W               | 1              |
| 12   | Acknowledge 2 (ACK2)           | 0 = Cannot comply with message<br>1 = Complies with message   | R/W               | 0              |
| 11   | Toggle (T)                     | 0 = Previous value of the transmitted link code word equalled logic one<br>1 = Previous value of the transmitted link code word equalled logic zero | R                 | 0              |
| 10:0 | Message/Unformatted Code Field | MP = 0: Code interpreted as "unformatted page"<br>MP = 1: Code interpreted as "message page"  | R/W               | 000000<br>0001 |

1. R/W = Read Write, R = Read Only

**Table 92 Auto-Negotiation Link Partner Next Page Receive Register (Address 8)**

| Bit  | Name                           | Description  | Type <sup>1</sup> | Default <sup>2</sup> |
|------|--------------------------------|--|-------------------|----------------------|
| 15   | Next Page (NP)                 | 0 = Link partner has no additional next pages to send<br>1 = Link partner has additional next pages to send  | R                 | 0                    |
| 14   | Acknowledge (ACK)              | 0 = Link partner has not received Link Code Word from the LXT9785/LXT9785E<br>1 = Link partner has received Link Code Word from the LXT9785/LXT9785E | R                 | 0                    |
| 13   | Message Page (MP)              | 0 = Page sent by the link partner is an unformatted page<br>1 = Page sent by the link partner is a message page                                      | R                 | 0                    |
| 12   | Acknowledge 2 (ACK2)           | 0 = Link partner cannot comply with the message<br>1 = Link partner complies with the message  | R                 | 0                    |
| 11   | Toggle (T)                     | 0 = Previous value of the transmitted Link Code Word equalled logic one<br>1 = Previous value of the transmitted Link Code Word equalled logic zero  | R                 | 0                    |
| 10:0 | Message/Unformatted Code Field | MP = 1: Code interpreted as message page<br>MP = 0: Code interpreted as unformatted page   | R                 | 0x000                |

1. R = Read Only  
 2. Default value at the start of auto-negotiation code word transmission.

**Table 93 Port Configuration Register (Address 16, Hex 10)**

| Bit | Name                              | Description   | Type <sup>1</sup> | Default             |
|-----|-----------------------------------|---|-------------------|---------------------|
| 15  | Reserved                          | Write as 0, ignore on Read  | R/W               | 0                   |
| 14  | Link Disable                      | 0 = Normal operation<br>1 = Force link pass (sets appropriate registers and LEDs to pass)<br><b>Note:</b> Setting this bit in 100 Mbps mode by-passes the descrambler lock requirement to establish link and forces the link to the link-good state. Setting this bit produces unreliable results if the descrambler is not locked, | R/W               | 0                   |
| 13  | Transmit Disable                  | 0 = Normal operation<br>1 = Disable twisted-pair transmitter  | R/W               | 0                   |
| 12  | Bypass Scramble (100BASE-TX)      | 0 = Normal operation<br>1 = Bypass scrambler and descrambler  | R/W               | 0                   |
| 11  | Reserved                          | Write as 0, ignore on Read  | R/W               | 0                   |
| 10  | Jabber (10BASE-T)                 | 0 = Normal operation<br>1 = Jabber function is enabled; however, jabber status reporting to Register bit 1.1 is disabled  | R/W               | 0                   |
| 9   | Reserved                          | Write as 0, ignore on Read.   | R/W               | 0                   |
| 8   | TP Loopback (10BASE-T)            | 0 = Normal operation<br>1 = Disable twisted-pair loopback during half-duplex operation<br><b>Note:</b> Valid function in SMII and S-SMII modes only.  | R/W               | 1                   |
| 7   | Reserved                          | Write as 1, ignore on Read  | R/W               | 1                   |
| 6   | Reserved                          | Write as 0, ignore on Read  | R/W               | 0                   |
| 5   | Preamble Enable                   | 10 Mbps<br>0 = No preamble (default)<br>1 = Preamble enabled<br><b>Note:</b> Default for BGA15 package is 0.  | R/W               | LSHR <sup>2,4</sup> |
|     |                                   | 100 Mbps<br>No effect   |                   | N/A                 |
| 4   | Reserved                          | Write as 0, ignore on Read  | R/W               | 0                   |
| 3   | Reserved                          | Write as 0, ignore on Read  | R/W               | 0                   |
| 2   | Far End Fault Transmission Enable | 0 = Disable Far End Fault transmission<br>1 = Enable Far End Fault transmission   | R/W               | 1                   |
|     | Invalid for BGA15                 | Write as '0', ignore on Read (BGA15).   |                   |                     |

1. R/W = Read/Write  
 2. LSHR = Default value is derived from a single device input pin state or a group of device input pin states as the pin(s) are latched at startup or hardware reset.  
 3. The default value of Register bit 16.0 is determined by the G\_FX/TP\_L pin. If G\_FX/TP\_L is tied Low, the default value of Register bit 16.0 = 0. If G\_FX/TP\_L is not tied Low, the default value of Register bit 16.0 = 1. The BGA15 package does not have a G\_FX/TP\_L hardware configuration pin.  
 4. The default value of Register bit 16.5 is determined by the PREASEL pin. The BGA15 package does not have a PREASEL hardware configuration pin and has a default of 0.  
 5. The BGA15 package does not support fiber. Default for the BGA15 package is 0.  
 6. NA means the bits do not have a default value and may initially contain any value.

**Table 93 Port Configuration Register (Address 16, Hex 10)**

| Bit | Name                      | Description   | Type <sup>1</sup> | Default             |
|-----|---------------------------|---|-------------------|---------------------|
| 1   | Reserved                  | Write as 0, ignore on Read.   | R/W               | 0                   |
| 0   | Fiber Select <sup>5</sup> | 0 = Select twisted-pair mode for this port<br>1 = Select fiber mode for this port | R/W               | LSHR <sup>2,3</sup> |
|     | Reserved for BGA15        | Write as '0', ignore on Read (BGA15).<br><b>Note:</b> Default for BGA15 is 0.     |                   |                     |

1. R/W = Read/Write  
 2. LSHR = Default value is derived from a single device input pin state or a group of device input pin states as the pin(s) are latched at startup or hardware reset.  
 3. The default value of Register bit 16.0 is determined by the G\_FX/TP\_L pin. If G\_FX/TP\_L is tied Low, the default value of Register bit 16.0 = 0. If G\_FX/TP\_L is not tied Low, the default value of Register bit 16.0 = 1. The BGA15 package does not have a G\_FX/TP\_L hardware configuration pin.  
 4. The default value of Register bit 16.5 is determined by the PREASEL pin. The BGA15 package does not have a PREASEL hardware configuration pin and has a default of 0.  
 5. The BGA15 package does not support fiber. Default for the BGA15 package is 0.  
 6. NA means the bits do not have a default value and may initially contain any value.

**Table 94 Quick Status Register (Address 17, Hex 11)**

| Bit | Name             | Description   | Type <sup>1</sup> | Default <sub>2</sub> |
|-----|------------------|---|-------------------|----------------------|
| 15  | Reserved         | Write as 0, ignore on Read  | R                 | 0                    |
| 14  | 10/100 Mode      | 0 = The LXT9785/LXT9785E is operating in 10 Mbps mode<br>1 = The LXT9785/LXT9785E is operating in 100 Mbps mode<br><br><b>Note:</b> The status is valid for TX and FX operation.          | R                 | 0                    |
| 13  | Transmit Status  | 0 = The LXT9785/LXT9785E is not transmitting a packet<br>1 = The LXT9785/LXT9785E is transmitting a packet  | R<br>LH           | 0                    |
| 12  | Receive Status   | 0 = Packet has not been received since last read<br>1 = Packet has been received since last read  | R<br>LH           | 0                    |
| 11  | Collision Status | 0 = A collision is not occurring<br>1 = A collision is occurring<br><br><b>Note:</b> This bit is set when jabber is detected, regardless of duplex. Status is valid only when link is up. | R<br>LH           | 0                    |
| 10  | Link             | 0 = Link is down<br>1 = Link is up  | R                 | 0                    |
| 9   | Duplex Mode      | 0 = Half-duplex<br>1 = Full-duplex  | R                 | 0                    |
| 8   | Auto-Negotiation | 0 = The LXT9785/LXT9785E is in manual mode<br>1 = The LXT9785/LXT9785E is in auto-negotiation mode<br>This signal is based upon Register bit 0.12.  | R                 | Note 3               |

1. R = Read Only, LH = Latching High – cleared when read.  
 2. The default values are updated on completion of reset and reflect the status or change in status at that time. Cortina recommends that the register status be read on completion of reset.  
 3. The default value is determined by the default value of Register bit 0.12.  
 4. LSHR = Default value is derived from a single device input pin state or a group of device input pin states as the pin(s) are latched at startup or hardware reset.  
 5. Default values are set by the hardware configuration PAUSE pin. The BGA15 package does not have a Pause hardware configuration pin. The default for the BGA15 package is 0.



**Table 94 Quick Status Register (Address 17, Hex 11)**

| Bit | Name                      | Description   | Type <sup>1</sup> | Default <sub>2</sub> |
|-----|---------------------------|---|-------------------|----------------------|
| 7   | Auto-Negotiation Complete | 0 = Auto-negotiation process is not complete<br>1 = Auto-negotiation process is complete  | R                 | 0                    |
| 6   | FIFO Error                | 0 = No FIFO error occurred<br>1 = FIFO error occurred (overflow or underflow)   | R<br>LH           | 0                    |
| 5   | Polarity                  | 0 = Polarity is not reversed<br>1 = Polarity is reversed<br><br><b>Note:</b> During 100 Mbps operation, this bit is not valid and may vary. Auto MDIX activity may increase the variability.                                  | R                 | 0                    |
| 4   | Pause                     | 0 = The LXT9785/LXT9785E is not Pause capable<br>1 = The LXT9785/LXT9785E is pause capable<br><br><b>Note:</b> This bit is not affected by Register bit 4.10.<br><b>Note:</b> The default for the BGA15 package is 0.         | R                 | LSHR <sup>4,5</sup>  |
| 3   | Error                     | 0 = No error occurred<br>1 = Error Occurred (remote fault, RxERCntFUL, FIFO error, jabber, parallel detect fault)<br><br><b>Note:</b> The register is cleared when the registers that generated the error condition are read. | R                 | 0                    |
| 2:0 | Reserved                  | Write as 0, ignore on Read.   | R                 | 0                    |

1. R = Read Only, LH = Latching High – cleared when read.  
 2. The default values are updated on completion of reset and reflect the status or change in status at that time. Cortina recommends that the register status be read on completion of reset.  
 3. The default value is determined by the default value of Register bit 0.12.  
 4. LSHR = Default value is derived from a single device input pin state or a group of device input pin states as the pin(s) are latched at startup or hardware reset.  
 5. Default values are set by the hardware configuration PAUSE pin. The BGA15 package does not have a Pause hardware configuration pin. The default for the BGA15 package is 0.

**Table 95 Interrupt Enable Register (Address 18, Hex 12)**

| Bit                | Name                | Description  | Type <sup>1</sup> | Default             |
|--------------------|---------------------|--|-------------------|---------------------|
| 15:14 <sup>2</sup> | RxFIFO Initial Fill | 00 = Reserved<br>01 = Low, 16 bits<br>10 = Normal, 32 bits (default)<br>11 = Jumbo packets, 128 bits | R/W               | LSHR <sup>4,5</sup> |

1. R/W = Read/Write  
 2. In 10 Mbps operation, Register bit 18.13 = 1 cannot be used when Register bits 18.15:14 = “11” and in RMII mode, Registers bits 18.15:14 = “11” or “10” cannot be used because the minimum Inter Gap Packet becomes less than specified in the \*IEEE 802.3 specification.  
 3. SFD Frame Alignment is applicable to SMII and SS-SMII only.  
 4. LSHR = Default value is derived from a single device input pin state or a group of device input pin states as the pin(s) are latched at startup or hardware reset  
 5. Default values are set by hardware configuration pins FIFOSEL1 and FIFOSEL0 (see [Table 17, Receive FIFO Depth Considerations](#), on page 50).

**Table 95 Interrupt Enable Register (Address 18, Hex 12)**

| Bit  | Name   | Description   | Type <sup>1</sup> | Default |
|------|--|---|-------------------|---------|
| 13   | SFD Frame Alignment <sup>3</sup><br>(RxDV asserts with CRS when enabled) | 10 Mbps<br>When Register bit 16.5 = 1, preamble is not suppressed.<br>0 = Disabled<br>1 = Enabled<br>When Register bit 16.5 = 0, SFD is always aligned, and preamble is suppressed. | R/W               | 0       |
|      |  | 100 Mbps<br>0 = Disabled<br>1 = Enabled<br>When enabled, all but one byte of preamble is suppressed.  | R/W               | 0       |
| 12:9 | Reserved   | Write as 0, ignore on Read  | R/W               | 0000    |
| 8    | CNTRMSK  | Mask for Counter Full<br>0 = Do not allow event to cause interrupt<br>1 = Enable event to cause interrupt   | R/W               | 0       |
| 7    | ANMSK  | Mask for Auto-Negotiate Complete<br>0 = Do not allow event to cause interrupt<br>1 = Enable event to cause interrupt  | R/W               | 0       |
| 6    | SPEEDMSK   | Mask for Speed Interrupt<br>0 = Do not allow event to cause interrupt<br>1 = Enable event to cause interrupt  | R/W               | 0       |
| 5    | DUPLEXMSK  | Mask for Duplex Interrupt<br>0 = Do not allow event to cause interrupt<br>1 = Enable event to cause interrupt   | R/W               | 0       |
| 4    | LINKMSK  | Mask for Link Status Interrupt<br>0 = Do not allow event to cause interrupt<br>1 = Enable event to cause interrupt  | R/W               | 0       |
| 3    | ISOLMSK  | Mask for Isolate Interrupt<br>0 = Do not allow event to cause interrupt<br>1 = Enable event to cause interrupt  | R/W               | 0       |
| 2    | Reserved   | Write as 0, ignore on Read  | R/W               | 0       |
| 1    | INTEN  | 0 = Disable interrupts on this port<br>1 = Enable interrupts on this port   | R/W               | 0       |
| 0    | TINT   | 0 = Normal operation<br>1 = Test force interrupt on MDINT_L   | R/W               | 0       |

1. R/W = Read/Write
2. In 10 Mbps operation, Register bit 18.13 = 1 cannot be used when Register bits 18.15:14 = "11" and in RMII mode, Registers bits 18.15:14 = "11" or "10" cannot be used because the minimum Inter Gap Packet becomes less than specified in the \*IEEE 802.3 specification.
3. SFD Frame Alignment is applicable to SMII and SS-SMII only.
4. LSHR = Default value is derived from a single device input pin state or a group of device input pin states as the pin(s) are latched at startup or hardware reset
5. Default values are set by hardware configuration pins FIFOSEL1 and FIFOSEL0 (see [Table 17, Receive FIFO Depth Considerations, on page 50](#)).

**Table 96 Interrupt Status Register (Address 19, Hex 13)**

| Bit  | Name       | Description   | Type <sup>1</sup> | Default <sup>2</sup> |
|------|------------|---|-------------------|----------------------|
| 15:9 | Reserved   | Write as 0, ignore on Read  | R                 | 0                    |
| 8    | RxERCntFUL | <b>RxER Counter Full Status.</b><br>0 = The internal counters have not reached maximum values<br>1 = One of the internal counters has reached its maximum value                     | R/LH              | 0                    |
| 7    | ANDONE     | <b>Auto-Negotiation Status.</b><br>0 = Auto-negotiation has not completed<br>1 = Auto-negotiation has completed   | R/LH              | N/A                  |
| 6    | SPEEDCHG   | <b>Speed Change Status.</b><br>0 = A speed change has not occurred since last reading this register<br>1 = A speed change has occurred since last reading this register             | R/LH              | 0                    |
| 5    | DUPLEXCHG  | <b>Duplex Change Status.</b><br>0 = A duplex change has not occurred since last reading this register<br>1 = A duplex change has occurred since last reading this register          | R/LH              | 0                    |
| 4    | LINKCHG    | <b>Link Status Change Status.</b><br>0 = A link change has not occurred since last reading this register<br>1 = A link change has occurred since last reading this register         | R/LH              | 0                    |
| 3    | Isolate    | <b>MII Isolate Change Status.</b><br>0 = An Isolate change has not occurred since last reading this register<br>1 = An Isolate change has occurred since last reading this register | R/LH              | 0                    |
| 2    | MDINT      | 0 = Interrupt not pending<br>1 = Interrupt pending  | R/LH              | 0                    |
| 1:0  | Reserved   | Reserved  | R                 | 0                    |

1. R = Read Only, LH = Latching High – cleared when read  
 2. The default values are updated on completion of reset and reflect the status or change in status at that time. Cortina recommends that the register status be read on completion of reset.

**Table 97 LED Configuration Register (Address 20, Hex 14)**

| Bit   | Name                  | Description  | Type <sup>1</sup> | Default |
|-------|-----------------------|--|-------------------|---------|
| 15:12 | LED1 Programming bits | 0000 = Display Speed Status (Continuous, Default)<br>0001 = Display Transmit Status (Stretched)<br>0010 = Display Receive Status (Stretched)<br>0011 = Display Collision Status (Stretched)<br>0100 = Display Link Status (Continuous)<br>0101 = Display Duplex Status (Continuous)<br>0110 = Display Isolate Status (Continuous)<br>0111 = Display Receive or Transmit Activity (Stretched)<br>1000 = Test mode- turn LED on (Continuous)<br>1001 = Test mode- turn LED off (Continuous)<br>1010 = Test mode- blink LED fast (Continuous)<br>1011 = Test mode- blink LED slow (Continuous)<br>1100 = Display Link and Receive Status combined <sup>2</sup> (Stretched) <sup>3</sup><br>1101 = Display Link and Activity Status combined <sup>2</sup> (Stretched) <sup>3</sup><br>1110 = Display Duplex and Collision Status combined <sup>4</sup> (Stretched) <sup>3</sup><br>1111 = Display Link and RxER Status combined <sup>2</sup> (Blink) | R/W               | 0000    |
| 11:8  | LED2 Programming bits | 0000 = Display Speed Status<br>0001 = Display Transmit Status<br>0010 = Display Receive Status<br>0011 = Display Collision Status<br>0100 = Display Link Status<br>0101 = Display Duplex Status<br>0110 = Display Isolate Status<br>0111 = Display Receive or Transmit Activity<br>1000 = Test mode- turn LED on<br>1001 = Test mode- turn LED off<br>1010 = Test mode- blink LED fast<br>1011 = Test mode- blink LED slow<br>1100 = Display Link and Receive Status combined <sup>2</sup> (Stretched) <sup>3</sup><br>1101 = Display Link and Activity Status combined <sup>2</sup> (Default) (Stretched) <sup>3</sup><br>1110 = Display Duplex and Collision Status combined <sup>4</sup> (Stretched) <sup>3</sup><br>1111 = Display Link and RxER Status combined <sup>2</sup> (Blink)  | R/W               | 1101    |

1. R/W = Read/Write  
 2. Link status is the primary LED driver. The LED is asserted (solid ON) when the link is up. The secondary LED driver (Receive, Activity, or Error) causes the LED to change state (blink).  
 3. Combined event LED settings are not affected by Pulse Stretch Register bit 20.1. These display settings are stretched regardless of the value of 20.1.  
 4. Duplex status is the primary LED driver. The LED is asserted (solid ON) when the link is full-duplex. Collision status is the secondary LED driver. The LED changes state (blinks) when a collision occurs.

**Table 97 LED Configuration Register (Address 20, Hex 14)**

| Bit | Name                  | Description   | Type <sup>1</sup> | Default |
|-----|-----------------------|---|-------------------|---------|
| 7:4 | LED3 Programming bits | 0000 = Display Speed Status<br>0001 = Display Transmit Status<br>0010 = Display Receive Status<br>0011 = Display Collision Status<br>0100 = Display Link Status<br>0101 = Display Duplex Status<br>0110 = Display Isolate Status<br>0111 = Display Receive or Transmit Activity<br>1000 = Test mode- turn LED on<br>1001 = Test mode- turn LED off<br>1010 = Test mode- blink LED fast<br>1011 = Test mode- blink LED slow<br>1100 = Display Link and Receive Status combined <sup>2</sup> (Stretched) <sup>3</sup><br>1101 = Display Link and Activity Status combined <sup>2</sup> (Stretched) <sup>3</sup><br>1110 = Display Duplex and Collision Status combined <sup>4</sup> (Default) (Blink) <sup>3</sup><br>1111 = Display Link and RxER Status combined <sup>2</sup> (Blink) | R/W               | 1110    |
| 3:2 | LEDFREQ               | 00 = Stretch LED events to 30 ms<br>01 = Stretch LED events to 60 ms<br>10 = Stretch LED events to 100 ms<br>11 = Reserved  | R/W               | 00      |
| 1   | PULSE-STRETCH         | 0 = Disable pulse stretching of all LEDs <sup>3</sup><br>1 = Enable pulse stretching of all LEDs<br><br><b>Note:</b> Receive activity LEDs are initially active based upon carrier sense.   | R/W               | 1       |
| 0   | Reserved              | Write as 0, ignore on Read  | R/W               | 0       |

1. R/W = Read/Write  
 2. Link status is the primary LED driver. The LED is asserted (solid ON) when the link is up. The secondary LED driver (Receive, Activity, or Error) causes the LED to change state (blink).  
 3. Combined event LED settings are not affected by Pulse Stretch Register bit 20.1. These display settings are stretched regardless of the value of 20.1.  
 4. Duplex status is the primary LED driver. The LED is asserted (solid ON) when the link is full-duplex. Collision status is the secondary LED driver. The LED changes state (blinks) when a collision occurs.

**Table 98 Receive Error Count Register (Address 21, Hex 15)**

| Bit  | Name                | Description  | Type <sup>1</sup> | Default |
|------|---------------------|--|-------------------|---------|
| 15:0 | Receive Error Count | A 16-bit counter value indicating the number of times a receive packet with errors occurred. Only one event gets counted per packet. When maximum count is reached, the 16-bit counter remains full until cleared. | R/LH              | 0x0000  |

1. R = Read Only, LH = Latching High – cleared when read  
**Note:** Cortina recommends reading this register once every time link is established to clear the register.

**Table 99 RMI Out-of-Band Signaling Register (Address 25, Hex 19)**

| Bit  | Name               | Description   | Type <sup>1</sup> | Default |
|--|--------------------|---|-------------------|---------|
| <b>BGA15</b>   |                    |   |                   |         |
| 15:0   | Reserved for BGA15 | Write as 0, ignore on Read.   | R/W               | 0x0000  |
| <b>PQFP and BGA23</b>  |                    |   |                   |         |
| 15:7   | Reserved           | Write as 0, ignore on Read  | R/W               | 0x000   |
| 6:4  | BIT1               | These three bits select which status information is available on the RxData(1) bit of the RMII bus.<br>000 =Link<br>001 =Speed<br>010 =Duplex<br>011 = Auto-negotiation complete<br>100 =Polarity reversed<br>101 =Jabber detected<br>110 = Interrupt pending<br>111 = Reserved                                     | R/W               | 000     |
| 3:1  | BIT0               | These three bits select which status information is available on the RxData(0) bit of the RMII bus.<br>000 =Link<br>001 =Speed<br>010 =Duplex<br>011 = Auto-negotiation complete<br>100 =Polarity reversed<br>101 =Jabber detected<br>110 = Interrupt pending<br>111 = Reserved                                     | R/W               | 000     |
| 0  | PROGRMII           | 0 = Disable Out-of-Band signaling.<br>1 = Enable programmable RMII Out-of-Band signaling. When enabled, Register bits 6:1 specify which status bits are available on the RMII RxData data bus.<br><br><b>Note:</b> Out-of-Band signaling is disabled when the Isolate mode is enabled by setting Register bit 0.10. | R/W               | 0       |
| 1. R/W = Read/Write<br><b>Note:</b> The BGA15 package does not support RMII operation. |                    |   |                   |         |

**Table 100 Trim Enable Register (Address 27, Hex 1B)**

| Bit   | Name                       | Description  | Type <sup>5</sup> | Default             |
|-------|----------------------------|--|-------------------|---------------------|
| 15:13 | Reserved                   | Write as 0, ignore on Read   | R                 | N/A                 |
| 12    | Reserved                   | Write as 0, ignore on Read.  | R/W               | 0                   |
| 11:10 | Per-Port Rise Time Control | 00 = 3.3 ns<br>01 = 3.6 ns<br>10 = 3.9 ns<br>11 = 4.2 ns<br><br><b>Note:</b> Values represent nominal load conditions.   | R/W               | LSHR <sup>1,2</sup> |
| 9     | AMDIX_EN                   | 0 = Disable auto MDI/MDIX<br>1 = Enable auto MDI/MDIX  | R/W               | LSHR <sup>1,3</sup> |
| 8     | MDIX                       | 0 = MDI, transmit on pair A (TPFIN <sub>n</sub> /TPFIP <sub>n</sub> ) and receive on pair B (TPFON <sub>n</sub> /TPFOP <sub>n</sub> )<br>1 = MDIX transmit on pair B (TPFON <sub>n</sub> /TPFOP <sub>n</sub> ) and receive on pair A (TPFIN <sub>n</sub> /TPFIP <sub>n</sub> )<br><br><b>Note:</b> Manual MDI/MDIX selection (This bit is ignored when Register bit 27.9 = 1).<br><b>Note:</b> BGA15 does not support the MDIX hardware configuration. | R/W               | LSHR <sup>1,4</sup> |
| 7     | Analog Loopback            | 0 = Disable analog loopback<br>1 = Enable analog loopback (twisted-pair transmit outputs are active)<br><br><b>Note:</b> In fiber mode, SD for the port must be asserted.  | R/W               | 0                   |
| 6     | Dis_EN                     | <b>DTE Discovery Process Enable.</b><br>0 = Disable DTE discovery process<br>1 = Enable DTE discovery process<br><br>Restart auto-negotiation after writing to this bit to ensure proper operation.  | R/W               | 0                   |
| 5     | Reserved                   | Write as 0, ignore on Read.  | R/W               | 0                   |
| 4     | Power_EN                   | <b>Power Enable (Requires Auto-Negotiation Enable Register bit 0.12 = 1).</b><br>0 = Remote-Power DTE not discovered; process may not be complete.<br>1 = Potential Remote-Power DTE discovered; indication to turn on power over the cable.   | R                 | 0                   |

1. LSHR = Default value is derived from a single device input pin state or a group of device input pin states as the pin(s) are latched at startup or hardware reset.  
 2. Default values for Register bits 27.11:10 are determined by the TxSLEW pins.  
 3. Default value for Register bit 27.9 is determined by the AMDIX\_EN pin.  
 4. Default value for Register bit 27.8 is determined by the MDIX pin. BGA15 does not support the MDIX hardware configuration. The BGA15 default = 0.  
 5. R/W = Read/Write, R = Read Only, LH = Latching High – cleared when read.

**Table 100 Trim Enable Register (Address 27, Hex 1B)**

| Bit | Name         | Description  | Type <sup>5</sup> | Default |
|-----|--------------|--|-------------------|---------|
| 3   | SLP_Det      | <b>Standard Link Partner Detected.</b><br>0 = Standard link partner not discovered; process may not be complete.<br>1 = Standard link partner discovered; indication not to turn on power over the cable.<br><b>Note:</b> This bit is only valid while link is down.                                 | R, LH             | 0       |
| 2   | LFIT Expired | <b>Link Fail Inhibit Timer expiration indicator. Valid only when SLP_Det = 1.</b><br>0 = Link Fail Inhibit Timer has not expired or standard link partner not discovered<br>1 = Link Fail Inhibit Timer expired with a standard link partner detected since last register read or link establishment | R, LH             | 0       |
| 1:0 | Reserved     | Write as 0, ignore on Read.  | R                 | 00      |

1. LSHR = Default value is derived from a single device input pin state or a group of device input pin states as the pin(s) are latched at startup or hardware reset.
2. Default values for Register bits 27.11:10 are determined by the TxSLEW pins.
3. Default value for Register bit 27.9 is determined by the AMDIX\_EN pin.
4. Default value for Register bit 27.8 is determined by the MDIX pin. BGA15 does not support the MDIX hardware configuration. The BGA15 default = 0.
5. R/W = Read/Write, R = Read Only, LH = Latching High – cleared when read.



**Table 101 Cable Diagnostics Register (Address 29, Hex 1D)**

| Bit  | Name               | Description   | Type <sup>1</sup> | Default <sup>2</sup> |
|--|--------------------|---|-------------------|----------------------|
| 15:14  | Reserved           | Write as 01, ignore on read   | R/W               | 01                   |
| 13:11  | Start-Test         | 000 = Do not perform cable fault test (Default)<br>101 = Perform long cable fault test only<br>110 = Perform short cable fault test only<br>Once Register bit 29.9 is set, the Start-Test bits will clear when read.<br>Any other combination of the Register bit settings are reserved and should not be used. | R/W<br>LH         | 000                  |
| 10   | CD_EN              | 0 = Normal operation<br>1 = Enable cable diagnostic tests. Forces link to drop.   | R/W               | 0                    |
| 9  | Test_Done          | 0 = Testing is still in progress<br>1 = Testing is complete<br>The Line Fault Counter and Fault_Type bits are valid.  | R<br>LH           | 0                    |
| 8  | Fault_Type         | 0 = Open condition has been detected<br>1 = Short Condition has been detected   | R<br>LH           | 0                    |
| 7:0  | Line Fault Counter | "FF" if no line fault is found, or<br>Distance to fault, approximately 1 m * counter value (refer to <a href="#">Section 4.13, Cable Diagnostics Overview</a> , on page 156 for details).<br>(Valid only when Test_Done bit is set.)  | R<br>LH           | 0x00                 |
| 1. R/W = Read/Write, R = Read only, LH = Latching High, cleared when read<br>2. Recommended default value. |                    |   |                   |                      |



**Table 102 Register Bit Map**

| Reg Title   | Bit Fields |                       |                       |                     |                     |                                  |                        |                        |            |                      |              |                       |                             |                |               |                       | Addr     |
|---|------------|-----------------------|-----------------------|---------------------|---------------------|----------------------------------|------------------------|------------------------|------------|----------------------|--------------|-----------------------|-----------------------------|----------------|---------------|-----------------------|----------|
|   | B15        | B14                   | B13                   | B12                 | B11                 | B10                              | B9                     | B8                     | B7         | B6                   | B5           | B4                    | B3                          | B2             | B1            | B0                    |          |
| <b>Control Register (Address 0)</b>   |            |                       |                       |                     |                     |                                  |                        |                        |            |                      |              |                       |                             |                |               |                       |          |
| <b>Control</b>  | Reset      | Loopback              | Speed Select          | A/N Enable          | Power Down          | Isolate                          | Re-start A/N           | Duplex Mode            | COL Test   | Speed Select         | Reserved     |                       |                             |                |               |                       | <b>0</b> |
| <b>Status Register (Address 1)</b>  |            |                       |                       |                     |                     |                                  |                        |                        |            |                      |              |                       |                             |                |               |                       |          |
| <b>Status</b>   | 100Base-T4 | 100Base-X Full-Duplex | 100Base-X Half-Duplex | 10 Mbps Full-Duplex | 10 Mbps Half-Duplex | 100Base-T2 Full-Duplex           | 100Base-T2 Half-Duplex | Extended Status        | Reserved   | MF Preamble Suppress | A/N Complete | Remote Fault          | A/N Ability                 | Link Status    | Jabber Detect | Extended Capability   | <b>1</b> |
| <b>PHY ID Registers (Address 2 and 3)</b>                                   |            |                       |                       |                     |                     |                                  |                        |                        |            |                      |              |                       |                             |                |               |                       |          |
| <b>PHY ID 1</b>   | 15         | 14                    | 13                    | 12                  | 11                  | 10                               | 9                      | 8                      | 7          | 6                    | 5            | 4                     | 3                           | 2              | 1             | 0                     | <b>2</b> |
| <b>PHY ID 2</b>   | PHY ID No  |                       |                       |                     |                     |                                  | MFR Model No           |                        |            |                      |              |                       | MFR Rev No                  |                |               | Model Variant         | <b>3</b> |
| <b>Auto-Negotiation Advertisement Register (Address 4)</b>                  |            |                       |                       |                     |                     |                                  |                        |                        |            |                      |              |                       |                             |                |               |                       |          |
| <b>A/N Advertise</b>  | Next Page  | Reserved              | Remote Fault          | Reserved            | Asymm Pause         | Pause                            | 100Base-T4             | 100Base-TX Full-Duplex | 100Base-TX | 10Base-T Full-Duplex | 10Base-T     | IEEE Selector Field   |                             |                |               |                       | <b>4</b> |
| <b>Auto-Negotiation Link Partner Base Page Ability Register (Address 5)</b> |            |                       |                       |                     |                     |                                  |                        |                        |            |                      |              |                       |                             |                |               |                       |          |
| <b>A/N Link Ability</b>   | Next Page  | Ack                   | Remote Fault          | Reserved            | Asymm Pause         | Pause                            | 100Base-T4             | 100Base-TX Full-Duplex | 100Base-TX | 10Base-T Full-Duplex | 10Base-T     | IEEE Selector Field   |                             |                |               |                       | <b>5</b> |
| <b>Auto-Negotiation Expansion Register (Address 6)</b>                      |            |                       |                       |                     |                     |                                  |                        |                        |            |                      |              |                       |                             |                |               |                       |          |
| <b>A/N Expansion</b>  | Reserved   |                       |                       |                     |                     |                                  |                        |                        |            |                      | Base Page    | Parallel Detect Fault | Link Partner Next Page Able | Next Page Able | Page Received | Link Partner A/N Able | <b>6</b> |
| <b>Auto-Negotiation Next Page Transmit Register (Address 7)</b>             |            |                       |                       |                     |                     |                                  |                        |                        |            |                      |              |                       |                             |                |               |                       |          |
| <b>A/N Next Page Txmit</b>  | Next Page  | Reserved              | Message Page          | Ack 2               | Toggle              | Message / Unformatted Code Field |                        |                        |            |                      |              |                       |                             |                |               |                       | <b>7</b> |
| <b>Auto-Negotiation Link Partner Next Page Ability Register (Address 8)</b> |            |                       |                       |                     |                     |                                  |                        |                        |            |                      |              |                       |                             |                |               |                       |          |
| <b>A/N Link Next Page</b>   | Next Page  | Ack                   | Message Page          | Ack 2               | Toggle              | Message / Unformatted Code Field |                        |                        |            |                      |              |                       |                             |                |               |                       | <b>8</b> |
| <b>Port Configuration Register (Address 16)</b>                             |            |                       |                       |                     |                     |                                  |                        |                        |            |                      |              |                       |                             |                |               |                       |          |

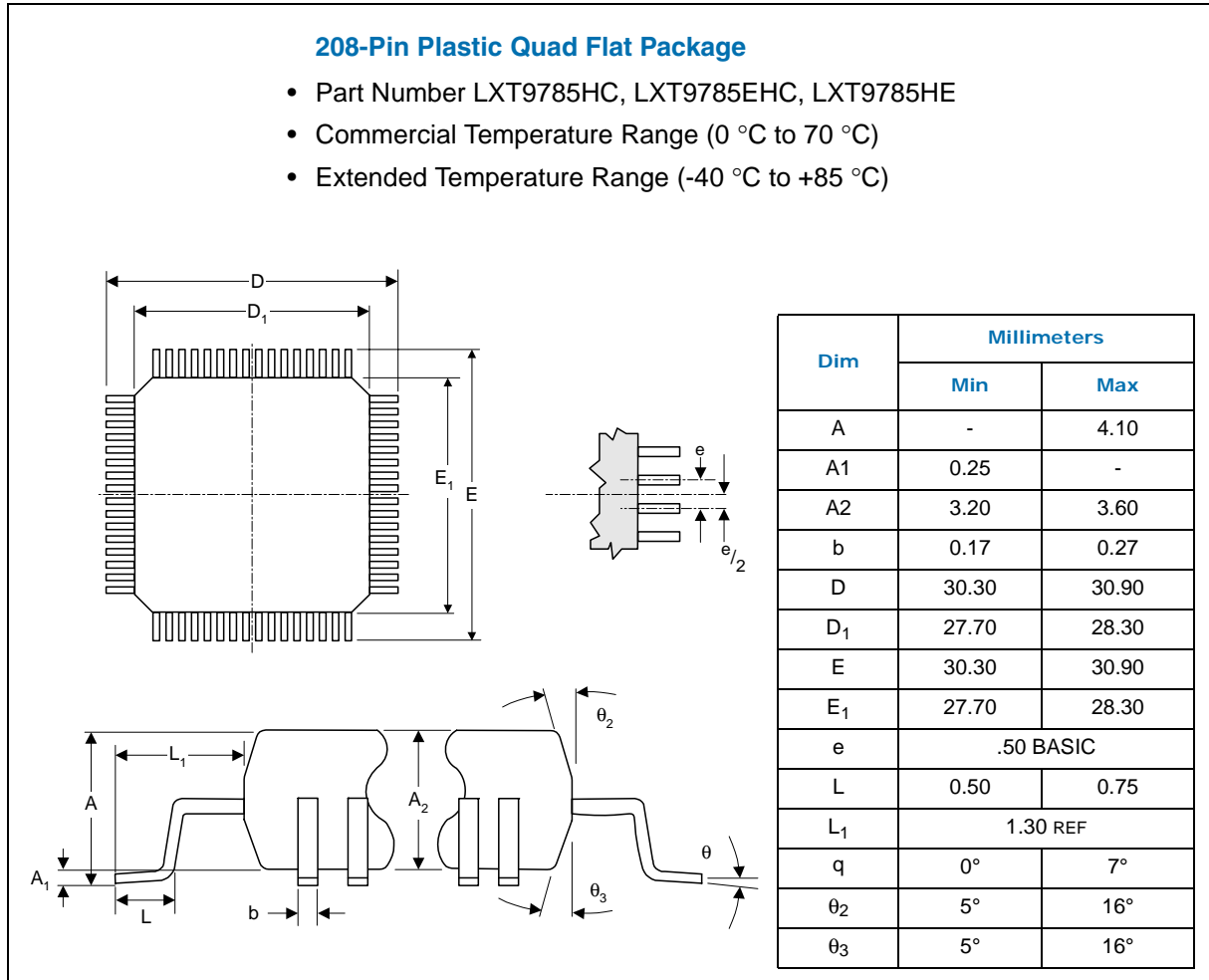


**Table 102 Register Bit Map**

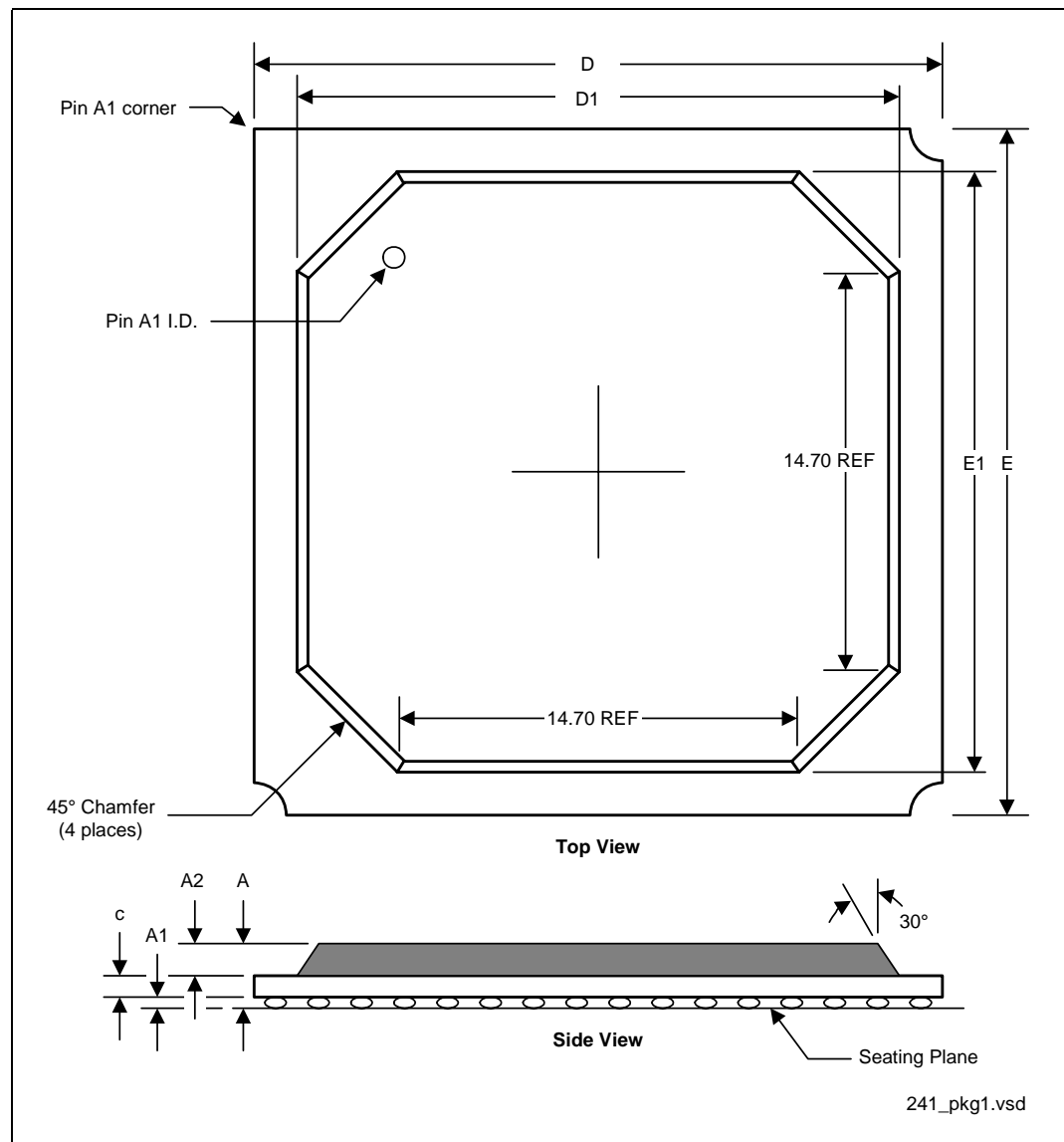
| Reg Title  | Bit Fields          |              |                 |                               |                             |              |             |                   |                    |                           |               |             |                |                      |                  |                | Addr      |           |
|--|---------------------|--------------|-----------------|-------------------------------|-----------------------------|--------------|-------------|-------------------|--------------------|---------------------------|---------------|-------------|----------------|----------------------|------------------|----------------|-----------|-----------|
|  | B15                 | B14          | B13             | B12                           | B11                         | B10          | B9          | B8                | B7                 | B6                        | B5            | B4          | B3             | B2                   | B1               | B0             |           |           |
| <b>Port Config</b>   | Reserved            | Link Disable | Txmit Disable   | Bypass Scrambler (100BASE-TX) | Bypass 4B/5B (100BASE-E-TX) | Jabber (10T) | SQE (10T)   | TP Loopback (10T) | Reserved           | Reserved                  | PRE_EN        | Reserved    | Reserved       | Far End Fault Enable | Reserved         | Fiber Select   | <b>16</b> |           |
| <b>Quick Status Register (Address 17)</b>                            |                     |              |                 |                               |                             |              |             |                   |                    |                           |               |             |                |                      |                  |                |           |           |
| <b>Quick Status</b>  | Reserved            | 10/100 Mode  | Transmit Status | Receiver Status               | Collision Status            | Link         | Duplex Mode | Auto-Neg          | Auto-Neg Complete  | FIFO Error                | Polarity      | Pause       | Error          | Reserved             | Reserved         | Reserved       | <b>17</b> |           |
| <b>Interrupt Enable Register (Address 18)</b>                        |                     |              |                 |                               |                             |              |             |                   |                    |                           |               |             |                |                      |                  |                |           |           |
| <b>Interrupt Enable</b>  | Reserved            |              |                 |                               |                             |              |             | Counter Mask      | Auto-Neg Mask      | Speed Mask                | Duplex Mask   | Link Mask   | Isolate Mask   | Reserved             | Interrupt Enable | Test Interrupt |           | <b>18</b> |
| <b>Interrupt Status Register (Address 19)</b>                        |                     |              |                 |                               |                             |              |             |                   |                    |                           |               |             |                |                      |                  |                |           |           |
| <b>Interrupt Status</b>  | Reserved            |              |                 |                               |                             |              |             | RxER Counter Full | Auto-Neg Done      | Speed Change              | Duplex Change | Link Change | Isolate Change | MD Interrupt         | Reserved         | Reserved       |           | <b>19</b> |
| <b>LED Configuration Register (Address 20)</b>                       |                     |              |                 |                               |                             |              |             |                   |                    |                           |               |             |                |                      |                  |                |           |           |
| <b>LED Config</b>  | LED1                |              |                 |                               | LED2                        |              |             |                   | LED3               |                           |               |             | LED Freq       | Pulse Stretch        | Reserved         |                | <b>20</b> |           |
| <b>Receive Error Count Register (Address 21)</b>                     |                     |              |                 |                               |                             |              |             |                   |                    |                           |               |             |                |                      |                  |                |           |           |
| <b>Rcv Error Count</b>   | Receive Error Count |              |                 |                               |                             |              |             |                   |                    |                           |               |             |                |                      |                  |                | <b>21</b> |           |
| <b>Programmable RMI Out-of-Band Signaling Register (Register 25)</b> |                     |              |                 |                               |                             |              |             |                   |                    |                           |               |             |                |                      |                  |                |           |           |
| <b>RMI OOB Signaling</b>   | Reserved            |              |                 |                               |                             |              |             |                   |                    |                           | Bit 1         | Bit 0       | Program RMI    |                      | <b>25</b>        |                |           |           |
| <b>Trim Enable Register (Address 27)</b>                             |                     |              |                 |                               |                             |              |             |                   |                    |                           |               |             |                |                      |                  |                |           |           |
| <b>Trim Enable</b>   | Reserved            |              |                 |                               | Per Port Rise Time Control  | AMDIX_EN     | MDIX        | Analog Loopback   | Dis_EN             | Loop Back Speed Up Enable | Power_EN      | SLP_Det     | LFIT Expired   | Reserved             |                  |                | <b>27</b> |           |
| <b>Cable Diagnostics Register (Address 29)</b>                       |                     |              |                 |                               |                             |              |             |                   |                    |                           |               |             |                |                      |                  |                |           |           |
| <b>Cable Diagnostics</b>   | Reserved            | Start-Test   |                 |                               |                             | CD_EN        | Test-Done   | Fault Type        | Line Fault Counter |                           |               |             |                |                      |                  |                | <b>29</b> |           |

## 8.0 Package Specifications

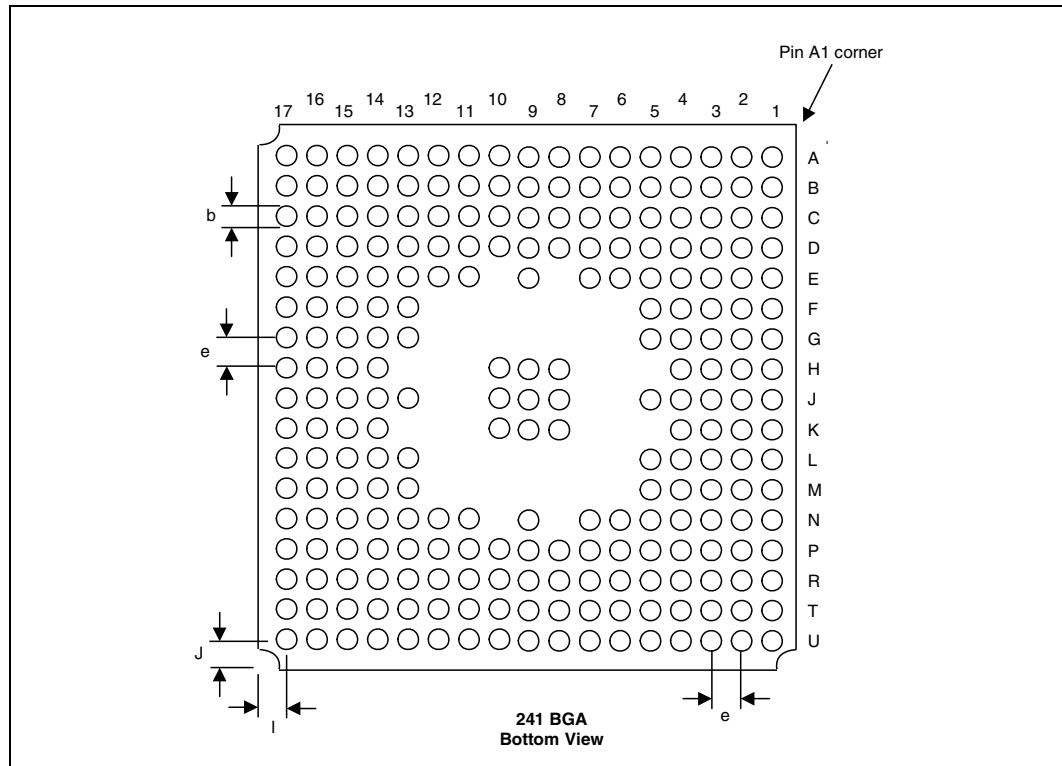
Figure 64 208-Pin PQFP Plastic Package Specification



**Figure 65 241-Ball BGA23 Package Specifications - Top/Side Views (LXT9785BC)**



**Figure 66 241-Ball BGA23 Package Specifications - Bottom View (LXT9785BC)**



**Table 103 241-Ball BGA23 Package Dimensions**

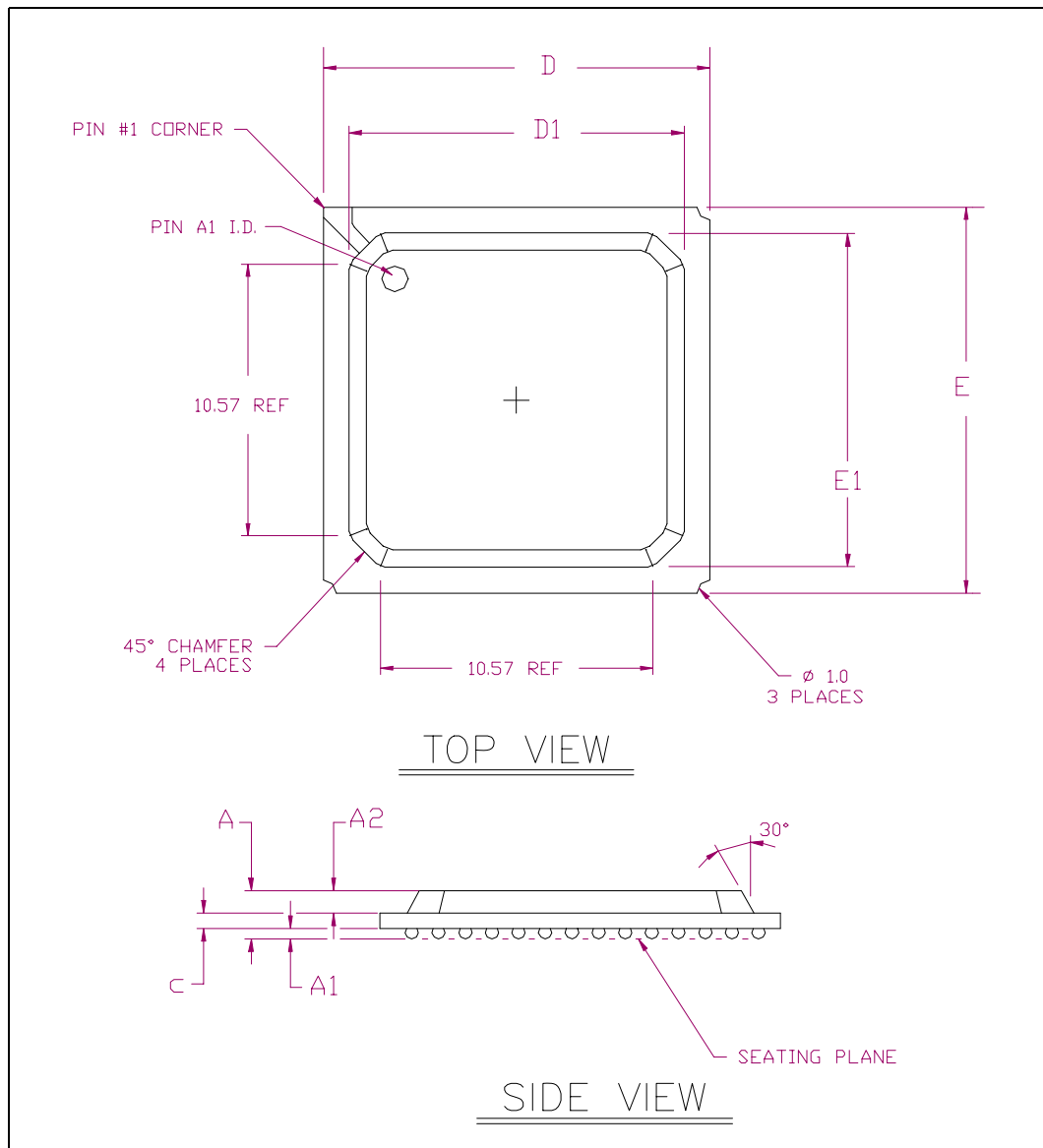
| Symbol   | Min                      | Nominal | Max   | Units |
|--|--------------------------|---------|-------|-------|
| A  | 2.19                     | 2.38    | 2.57  | mm    |
| A1   | 0.50                     | 0.60    | 0.70  | mm    |
| A2   | 1.12                     | 1.17    | 1.22  | mm    |
| D  | 22.90                    | 23.00   | 23.10 | mm    |
| D1   | 19.30                    | 19.50   | 19.70 | mm    |
| E  | 22.90                    | 23.00   | 23.10 | mm    |
| E1   | 19.30                    | 19.50   | 19.70 | mm    |
| e  | 1.27 (solder ball pitch) |         |       | mm    |
| I  | 1.34 REF.                |         |       | mm    |
| J  | 1.34 REF.                |         |       | mm    |
| M  | 17 x 17 Matrix           |         |       | mm    |
| <b>Note:</b> All dimensions and tolerances conform to ANSI Y14.5-1982. Dimension is measured at maximum solder ball diameter parallel to primary datum (-C-). Primary datum (-C-) and seating plane are defined by the spherical crowns of the solder balls. |                          |         |       |       |

**Table 103 241-Ball BGA23 Package Dimensions**

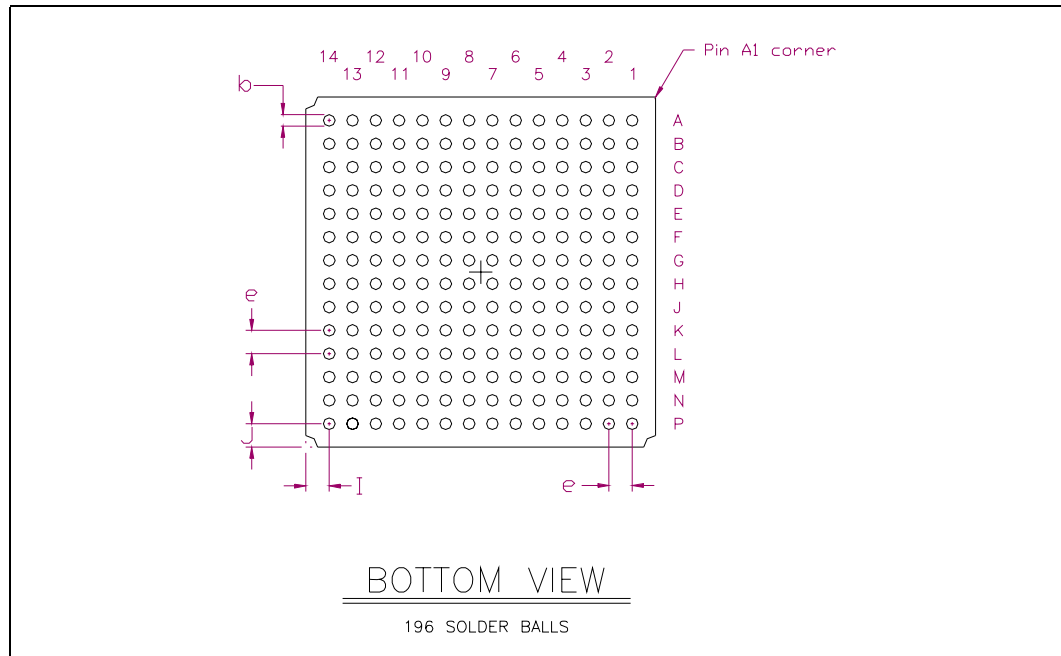
| Symbol | Min  | Nominal | Max  | Units |
|--------|------|---------|------|-------|
| b      | 0.60 | 0.75    | 0.90 | mm    |
| c      | 0.52 | 0.56    | 0.60 | mm    |
| e      |      | 1.27    |      | mm    |

**Note:** All dimensions and tolerances conform to ANSI Y14.5-1982. Dimension is measured at maximum solder ball diameter parallel to primary datum (-C-). Primary datum (-C-) and seating plane are defined by the spherical crowns of the solder balls.

**Figure 67 196-Ball BGA15 Package Specs - Top/Side Views (LXT9785MBC)**



**Figure 68 196-Ball BGA15 Package – Bottom View (LXT9785MBC )**



**Table 104 196-Ball BGA15 Package Dimensions (LXT9785MBC )**

| Symbol   | Min                      | Nominal | Max   | Units |
|--|--------------------------|---------|-------|-------|
| A  | 1.62                     | 1.81    | 2.00  | mm    |
| A1   | 0.30                     | 0.40    | 0.50  | mm    |
| A2   | 0.80                     | 0.85    | 0.90  | mm    |
| D  | 14.90                    | 15.00   | 15.10 | mm    |
| D1   | 12.80                    | 13.00   | 13.20 | mm    |
| E  | 14.90                    | 15.00   | 15.10 | mm    |
| E1   | 12.80                    | 13.00   | 13.20 | mm    |
| e  | 1.00 (solder ball pitch) |         |       | mm    |
| I  | 1.00 REF.                |         |       | mm    |
| J  | 1.00 REF.                |         |       | mm    |
| M  | 14 x 14 Matrix           |         |       | mm    |
| b  | 0.40                     | 0.50    | 0.60  | mm    |
| c  | 0.52                     | 0.56    | 0.60  | mm    |
| e  |                          | 1.00    |       | mm    |
| <b>Note:</b> All dimensions and tolerances conform to ANSI Y14.5-1982. Dimension is measured at maximum solder ball diameter parallel to primary datum (-C-). Primary datum (-C-) and seating plane are defined by the spherical crowns of the solder balls. |                          |         |       |       |



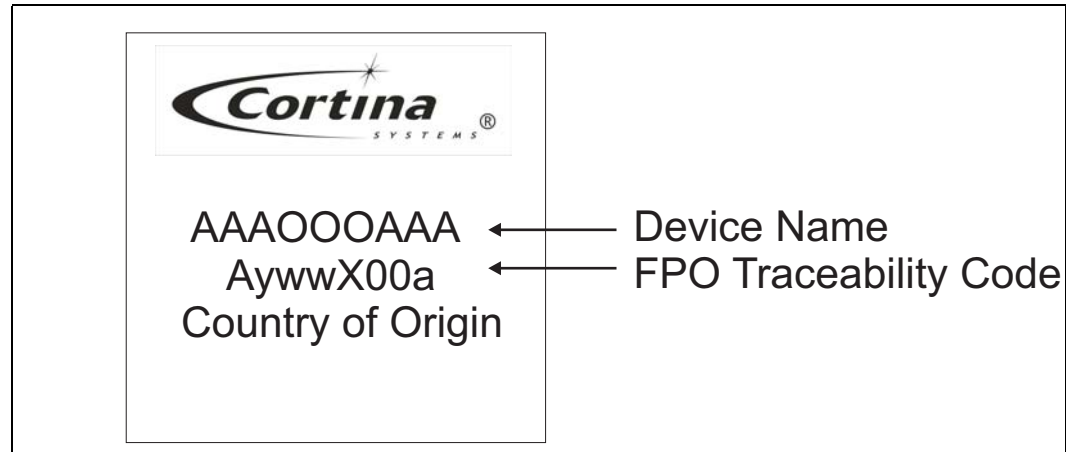
## 8.1 Top Label Markings

Figure 69 shows a sample PBGA package for the LXT9785/LXT9785E (Part numbers: FWLXT9785BC.C2V, FWLXT9785BC.D0 [241-Pin]).

**Notes:**

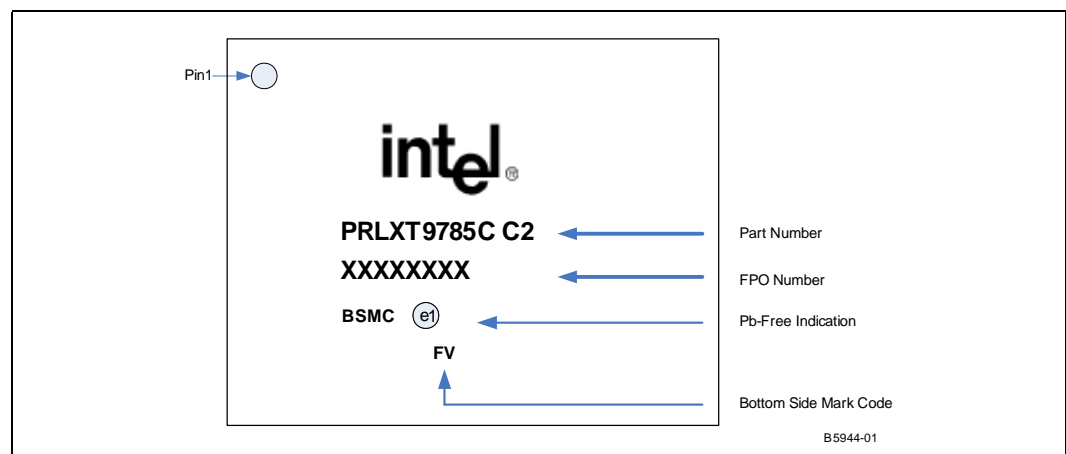
1. In contrast to the Pb-Free (RoHS-compliant) PBGA package, the non-RoHS-compliant package does not have the “e1” symbol in the last line of the package label.
2. Further information regarding RoHS and lead-free components can be obtained from your local Cortina representative.

**Figure 69 Example of Top Marking Information Labeled as Cortina Systems, Inc.**

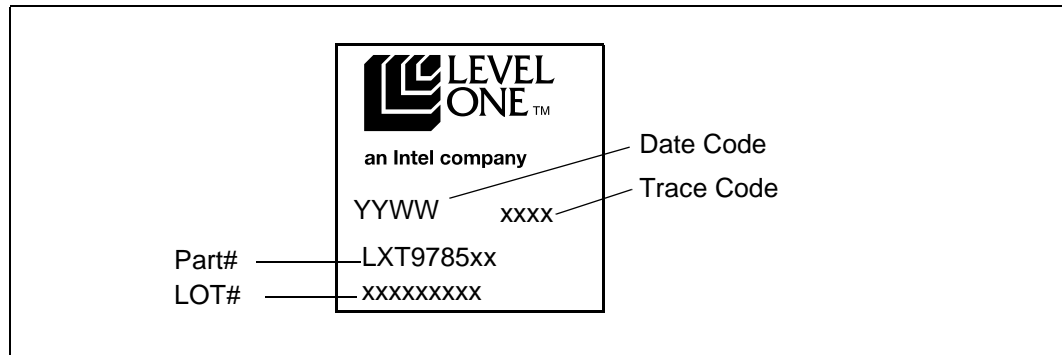


Earlier versions of the silicon may be marked as either Intel\* or Level One Communications\* as shown in the examples in Figure 70 and Figure 71.

**Figure 70 Example of Top Marking Information Labeled as Intel Corporation\***



**Figure 71 Example of Top Marking Information Labeled as Level One Communications\***



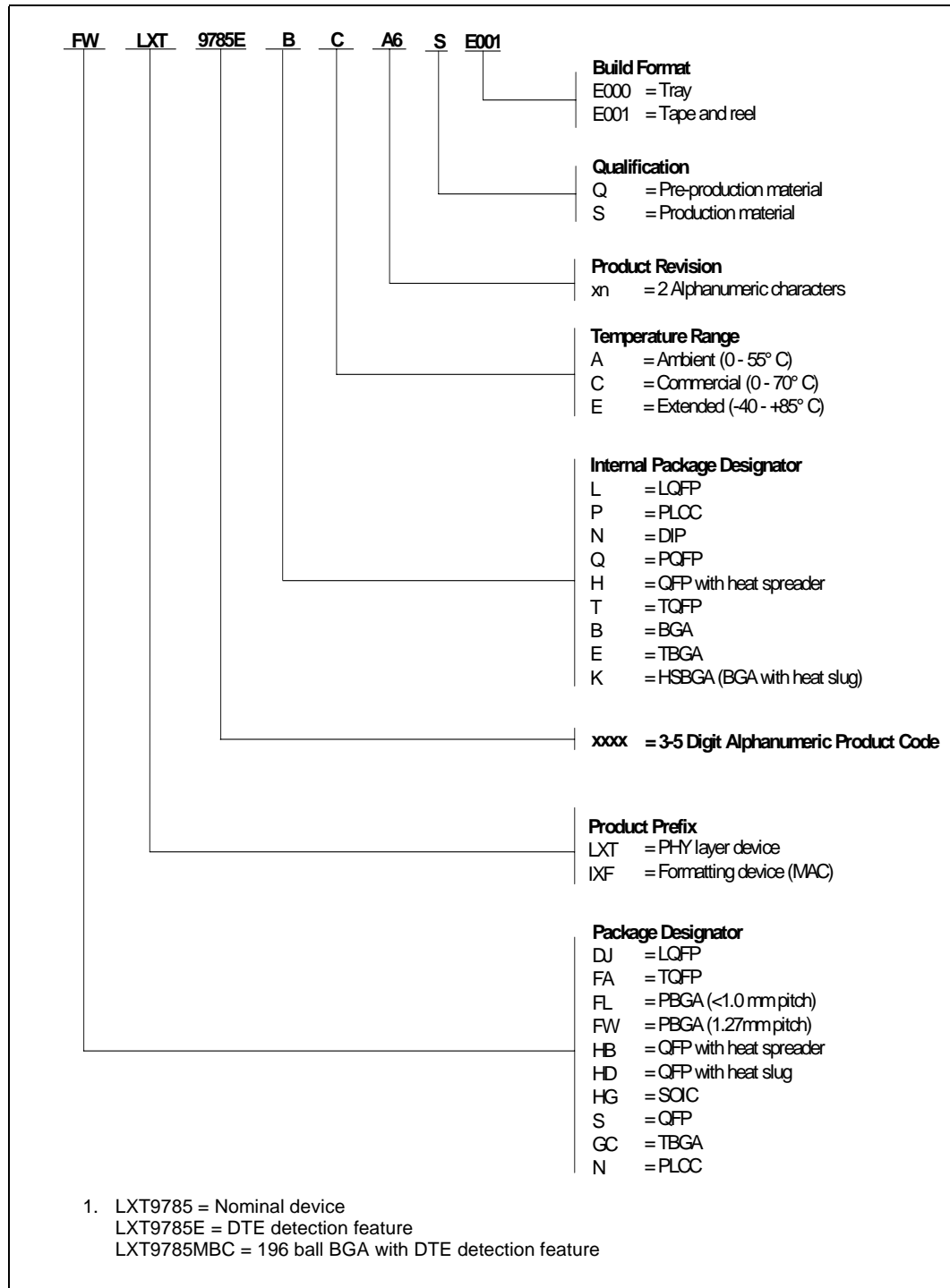
## 9.0 Ordering Information

Table 105 and Figure 72 provide product ordering information.

**Table 105 Product Information**

| Number           | Revision | Package Type | Pin Count | RoHS Compliant |
|------------------|----------|--------------|-----------|----------------|
| FWLXT9785BC.D0   | D0       | PBGA         | 241       | No             |
| PRLXT9785BC.D0   | D0       | PBGA         | 241       | Yes            |
| FWLXT9785EBC.D0  | D0       | PBGA         | 241       | No             |
| PRLXT9785EBC.D0  | D0       | PBGA         | 241       | Yes            |
| FWLXT9785BC.C2V  | C2V      | PBGA         | 241       | No             |
| PRLXT9785BC.C2V  | C2V      | PBGA         | 241       | Yes            |
| FWLXT9785EBC.C2V | C2V      | PBGA         | 241       | No             |
| PRLXT9785EBC.C2V | C2V      | PBGA         | 241       | Yes            |
| GDLXT9785MBC.D0  | D0       | PBGA         | 196       | No             |
| LULXT9785MBC.D0  | D0       | PBGA         | 196       | Yes            |
| HBLXT9785HC.D0   | D0       | HQFP         | 208       | No             |
| WBLXT9785HC.D0   | D0       | HQFP         | 208       | Yes            |
| HBLXT9785EHC.D0  | D0       | HQFP         | 208       | No             |
| WBLXT9785EHC.D0  | D0       | HQFP         | 208       | Yes            |
| HBLXT9785HE.D0   | D0       | HQFP         | 208       | No             |
| WBLXT9785HE.D0   | D0       | HQFP         | 208       | Yes            |
| HBLXT9785EHC.C2V | C2V      | HQFP         | 208       | No             |
| WBLXT9785EHC.C2V | C2V      | HQFP         | 208       | Yes            |
| HBLXT9785HC.C2V  | C2V      | HQFP         | 208       | No             |
| WBLXT9785HC.C2V  | C2V      | HQFP         | 208       | Yes            |
| HBLXT9785HE.C2V  | C2V      | HQFP         | 208       | No             |
| WBLXT9785HE.C2V  | C2V      | HQFP         | 208       | Yes            |

**Figure 72** Ordering Information - Sample





**For additional product and ordering information:**

[www.cortina-systems.com](http://www.cortina-systems.com)

---

~ End of Document ~