

## 1.8V, 3.3V 10/100BASE-TX/FX Physical Layer Transceiver

### Description

The KS8001 is a 10BASE-T, 100BASE-TX, and 100BASE-FX Physical Layer Transceiver, which provides MII/RMII/SMII interfaces to MACs and switches. Utilizing a unique mixed-signal design that extends signaling distance while reducing power consumption, the KS8001 represents Micrel's fifth generation single-port Fast Ethernet PHY.

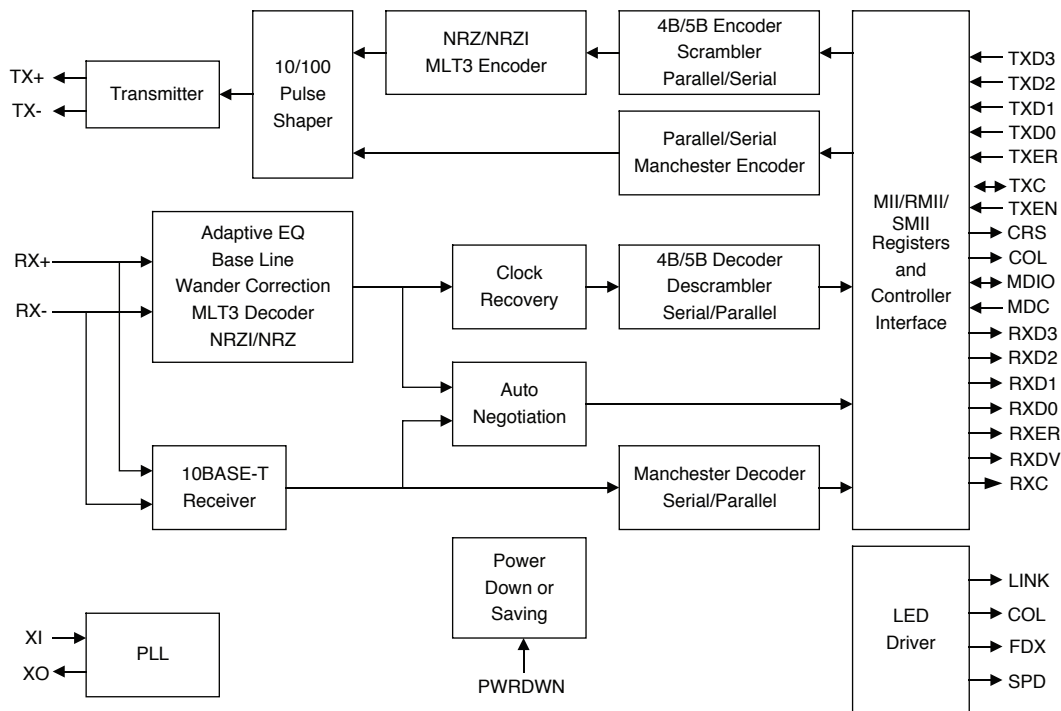
Micrel's architecture, when run at a core voltage of 1.8V, allows the KS8001 to dissipate an ultra-low 250mW in power. This translates to increased reliability while enabling deployment in today's power-sensitive applications. Multiple power-down modes, accessed via configuration pins or registers, allow further levels of power saving through manual selection or automatic detection of cable energy.

LinkMD™ cable diagnostics, an industry first for single-port Fast Ethernet PHYs, detects common cabling plant problems such as open and short circuits. Diagnosis and elimination of cabling faults can lead to reduced user frustration and fewer equipment returns, both in enterprise and consumer electronics applications. Combined with HP Auto-MDIX, deployment is dramatically simplified by providing the most robust solution for automatically adjusting to crossover and straight-through cables.

The KS8001 represents a new level of features and performance, and is an ideal choice of physical layer transceiver for 10BASE-T, 100BASE-TX, and 100BASE-FX applications.

For additional information, contact your local Micrel Field Application Engineer or salesperson.

### Block Diagram



KS8001 BLOCK DIAGRAM

LinkMD is a trademark of Micrel, Inc.

## Features

Single chip 10BASE-T/100BASE-TX/100BASE-FX Physical Interface

Fully compliant to IEEE802.3u standards

Low-power CMOS design, power consumption < 250mW

Supports Media Independent Interface (MII), Reduced MII (RMII), and Serial MII (SMII)

Robust operation (130 meters+)

LinkMD cable diagnostics

HP Auto MDI/MDI-X

Power-down and power-saving modes

Footprint compatible with Micrel KS8721

Configurable through MII serial management ports or via external control pins

Four programmable LED outputs

Available in lead-free and industrial temperature versions

## Benefits

Supports back-to-back operation for copper to fiber media converter applications.

Design margin for operating with link partners at all speeds.

Increased reliability, greater range of power-sensitive applications.

Flexible switch/MAC interfacing options. Optimized pin count interfaces lower cost through reduced trace/simplified routing.

Operation over the widest variety of cabling plants.

Diagnose faulty cables including distance to fault.

Automatic detection and correction for straight-through or crossover cables.

Automatically shuts down upon cable removal extending battery life for mobile applications.

Easy migration to feature-filled KS8001 from existing designs.

Programmable in environments with and without CPU.

Report complete link status.

Environmentally friendly and rugged.

## Applications

LAN on Motherboard

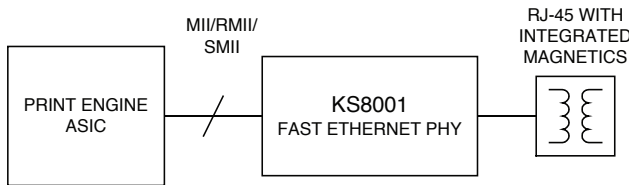
Media Converter

Set Top Box

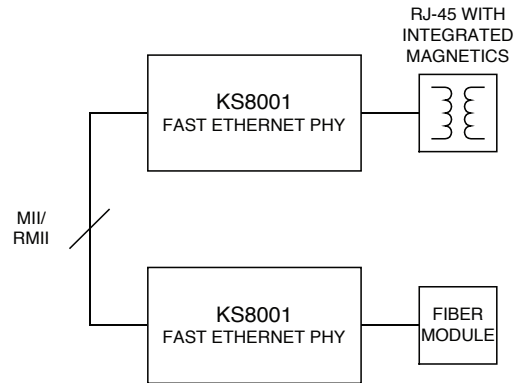
Cable/DSL Modem

Network Printer

Game Console



Block Diagram: Network Printer Application



Block Diagram: Media Converter Application

## Contact Micrel Semiconductor

Location	Address	Telephone	Fax
Corporate HQ	1849 Fortune Drive San Jose, CA 95131 USA	+1 (408) 944-0800	+1 (408) 474-1000
Eastern USA	93 Branch Street Medford, NJ 08055 USA	+1 (609) 654-0078	+1 (609) 546-0989
Central USA	722 S. Denton Tap Suite 130 Coppell, TX 75019 USA	+1 (972) 393-2533	+1 (972) 393-2540
Western USA	2180 Fortune Drive San Jose, CA 95131 USA	+1 (408) 944-0800	+1 (408) 914-7878
China	Room 712, Block B, Intl. Chamber of Commerce Bldg., Fuhua Rd 1, Futian ShenZhen, P.R. China 518026	+86 (755) 8302-7618	+86 (755) 8302-7637
Korea	4F, KTR Building, 826-14, Yeoksam-dong, Kangnam-ku Seoul 135-080 Korea	+82 (2) 3466-3000	+82 (2) 3466-2999
Taiwan	4F, No. 18, Lane 321, Yang-Guang Street, Nei-Hu Chu Taipei, 11468 Taiwan, R.O.C.	+886 (2) 8751-0600	+886 (2) 8751-0746
Singapore	8 Temasek Blvd., #42-01 Suntec Tower Three Singapore 038988	+65-6832-7692	+65-6832-7693
Japan	1-16-15 Dogenzaka, Shibuyaku Tokyo 150-0043 Japan	+81 (3) 5428-0871	+81 (3) 5428-0872
Europe	1st Floor, 3 Lockside Place, Mill Lane Newbury, Berks RG14 5QS UK	+44 1635 524455	+44 1635 524466
Western Europe	10, avenue du Quebec, Villebon BP116 Courtaboeuf Cedex 91944 France	+33 (0) 1-6092-4190	+33 (0) 1-6092-4189



Micrel Semiconductor

TEL: 1.408.944.0800 FAX: 1.408.474.1000

HTTP:// www.micrel.com

Stock Code: M-032805