

CV92/CV34/CV22

Complete Embedded Data Modems



FEATURES

- Two-chip modem solution:
 - CVxx Modem Device in 48-pin TQFP or 100-pin FSBGA (CV92-F100 only)
 - CSP1040 DAA in 20-pin ETSSOP
- Data mode capabilities:
 - V.92, V.90, V.34, V.32bis, V.32, V.22bis, V.22, V.21, Bell 212A, Bell 103
 - V.17 and lower fax rates
 - V.44, V.42bis, MNP 5 Data Compression
 - V.42, MNP 2–4 Error Correction
- CVxx Modem Device features:
 - ARM7TDMI Microcontroller
 - DSP1600S Digital Signal Processor
 - DAA interface and filters
 - Host interface configurable for 8-bit parallel, asynchronous serial or SPI mode
 - On-chip PWM speaker driver
 - SIO interface for audio codec used in voice and handset applications
 - 24.576 MHz crystal or external 27.0 MHz clock
- CSP1040 DAA features:
 - Derives power from system for reliable operation on all phone lines
 - Digital transformer isolation barrier
 - Programmable event detect for caller-ID reception and power ring detection
 - Programmable pulse shaping and spark quench
 - Programmable dc-impedance termination for country-specific VI templates
 - Programmable ac-impedance termination for return loss matching
 - Programmable ringer-impedance emulation
 - Hardware support for pulse dialing for accurate make/break timing.
 - Hardware support for ringing level and frequency qualification for accurate ring detection.
 - Line-in-use and remote handset detection
 - World-wide caller ID support
- Single 3.3V supply required for chip set.



The CVxx family of devices is designed to serve embedded applications that require high-speed dial-up data connections. There are several versions available based on modulations and other features.

For designs that must support field-upgradeability or customized features, a version of the CV92 device is available in a 100 FSBGA that can support external flash ROM. All other versions run from on-chip ROM. The table on page

2 shows the features supported for the various versions. The CVxx devices support RS232 and 8-bit microprocessor interfaces. Additionally, the CVxx devices can be configured for operation on a 4-wire SPI bus.

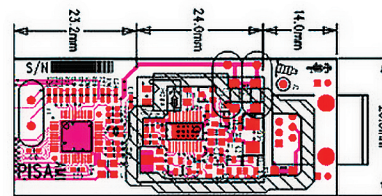


Figure 1 shows a reference design using the 48-pin CVxx and the CSP1040. This is a 2-layer PCB with components on top-side only. The layout can be integrated into a larger PCB or built as a separate module with connectors.

* Actual speeds over U.S. telephone lines vary and are less than 56K due to current FCC regulations and line conditions.

	V.92	V.90	V.34	V.22bis	POS	V.17 FAX	Voice	Par/Ser	SPI
CV92-T48B	X	X	X	X	X	X	X	X	X
CV92L-T48B	X	X	X	X	X			X	
CV90L-T48B		X	X	X	X			X	
CV34-T48x			X	X	X	X	X	X	X
CV34L-T48			X	X	X			X	
CV22-T48x				X	X			X	

Typical Modem Sub-System Block Diagrams

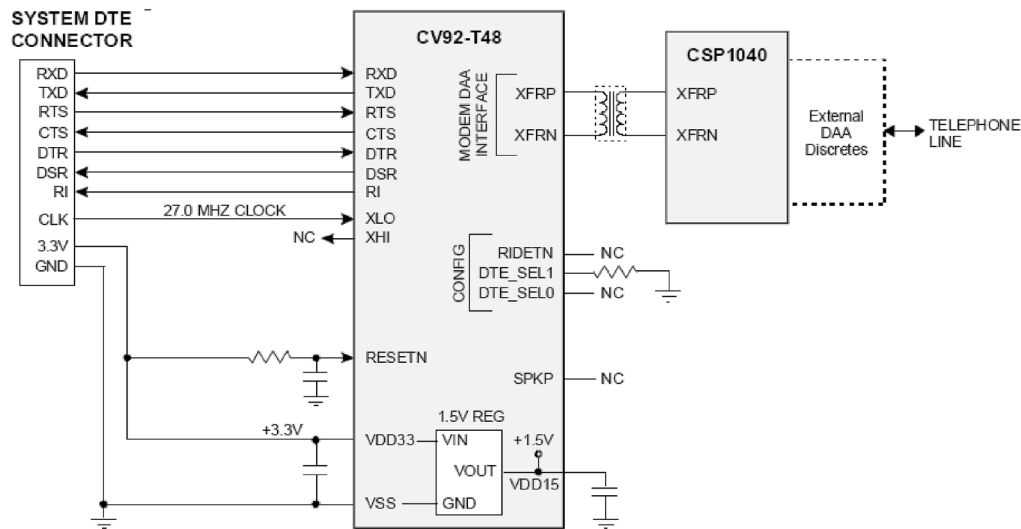


Figure 2. Embedded V.92 Modem for STB/DVR using serial interface.

Ordering Information

DEVICE	PART NUMBER	PACKAGE	COM CODE
CV22	L-CV22-T48B-DB	48 TQFP	7110158770
	L-CV22-T48B-DT	48 TQFP	7110158780
CV34	L-CV34-T48B-DB	48 TQFP	7110109500
	L-CV34-T48B-DT	48 TQFP	7110109510
CV34L	L-CV34L-T48B-DB	48 TQFP	7110158720
	L-CV34L-T48B-DT	48 TQFP	7110159010
CV90L	L-CV90L-T48B-DB	48 TQFP	7110158750
	L-CV90L-T48B-DT	48 TQFP	7110158760
CV92	L-CV92-F100A-DB	100 FSBGA	7110146740
	L-CV92-F100A-DT	100 FSBGA	7110146750
	L-CV92-T48B-DB	48 TQFP	7110109480
	L-CV92-T48B-DT	48 TQFP	7110109490
CV92L	L-CV92L-T48B-DB	48 TQFP	7110158730
	L-CV92L-T48B-DT	48 TQFP	7110158740
CSP1040	L-CSP1040A3-E11-D	20-pin ETSSOP	7110072260
	L-CSP1040A3-E11-DT	20-pin ETSSOP	7110072670

For more information and sales office locations, please visit the LSI web sites at: lsi.com lsi.com/contacts

LSI Corporation, the LSI logo design, and SANtricity are trademarks or registered trademarks of LSI Corporation. All other brand and product names may be trademarks of their respective companies.

LSI Corporation reserves the right to make changes to any products and services herein at any time without notice. LSI does not assume any responsibility or liability arising out of the application or use of any product or service described herein, except as expressly agreed to in writing by LSI; nor does the purchase, lease, or use of a product or service from LSI convey a license under any patent rights, copyrights, trademark rights, or any other of the intellectual property rights of LSI or of third parties.

Copyright ©2007 by LSI Corporation. All rights reserved.
May 2007 OT07-1410TH