
ST-NXP Wireless

IMPORTANT NOTICE

Dear customer,

As from August 2nd 2008, the wireless operations of NXP have moved to a new company, ST-NXP Wireless.

As a result, the following changes are applicable to the attached document.

- **Company name - NXP B.V.** is replaced with **ST-NXP Wireless**.
- **Copyright** - the copyright notice at the bottom of each page “© NXP B.V. 200x. All rights reserved”, shall now read: “© ST-NXP Wireless 200x - All rights reserved”.
- **Web site** - <http://www.nxp.com> is replaced with <http://www.stnwireless.com>
- **Contact information** - the list of sales offices previously obtained by sending an email to salesaddresses@nxp.com , is now found at <http://www.stnwireless.com> under Contacts.

If you have any questions related to the document, please contact our nearest sales office. Thank you for your cooperation and understanding.

ST-NXP Wireless



ISP1102A

Advanced Universal Serial Bus transceiver

Rev. 01 — 15 February 2007

Product data sheet

1. General description

The ISP1102A Universal Serial Bus (USB) transceiver is fully compliant with [Ref. 1 “Universal Serial Bus Specification Rev. 2.0”](#). The ISP1102A can transmit and receive USB data at full-speed (12 Mbit/s).

The transceiver allows USB Application-Specific Integrated Circuits (ASICs) and Programmable Logic Devices (PLDs) with power supply voltages from 1.65 V to 3.6 V to interface with the physical layer of the USB. The transceiver has an integrated 5 V-to-3.3 V voltage regulator for direct powering through USB supply line V_{BUS} . The transceiver has an integrated voltage detector to detect the presence of the V_{BUS} voltage ($V_{CC(5V0)}$). When $V_{CC(5V0)}$ or VREG3V3 is lost, the DP and DM pins can be shared with other serial protocols.

The transceiver is a bidirectional differential interface and is available in HBCC16 package.

The transceiver is ideal for use in portable electronic devices, such as mobile phones, digital still cameras, Personal Digital Assistants (PDAs) and Information Appliances (IAs).

2. Features

- Complies with [Ref. 1 “Universal Serial Bus Specification Rev. 2.0”](#)
- Supports data transfer at full-speed (12 Mbit/s)
- Integrated 5 V-to-3.3 V voltage regulator to power through USB line V_{BUS}
- V_{BUS} voltage presence indication on pin VBUSDET
- VP and VM pins function in bidirectional mode, allowing pin count saving for the ASIC interface
- Used as USB device transceiver or USB host transceiver
- Stable RCV output during Single-Ended Zero (SE0) condition
- Two single-ended receivers with hysteresis
- Low-power operation
- Supports I/O voltage range from 1.65 V to 3.6 V
- ± 12 kV ElectroStatic Discharge (ESD) protection at the DP, DM, $V_{CC(5V0)}$ and GND pins
- Full industrial operating temperature range from -40 °C to $+85$ °C
- Available in HBCC16 lead-free and halogen-free package

3. Applications

- Portable electronic devices, such as:
 - ◆ Mobile phone
 - ◆ Digital still camera
 - ◆ Personal Digital Assistant (PDA)
 - ◆ Information Appliance (IA)

4. Ordering information

Table 1. Ordering information

Type number	Package		Version
	Name	Description	
ISP1102AW	HBCC16	plastic thermal enhanced bottom chip carrier; 16 terminals; body 3 × 3 × 0.65 mm	SOT639-2

5. Block diagram

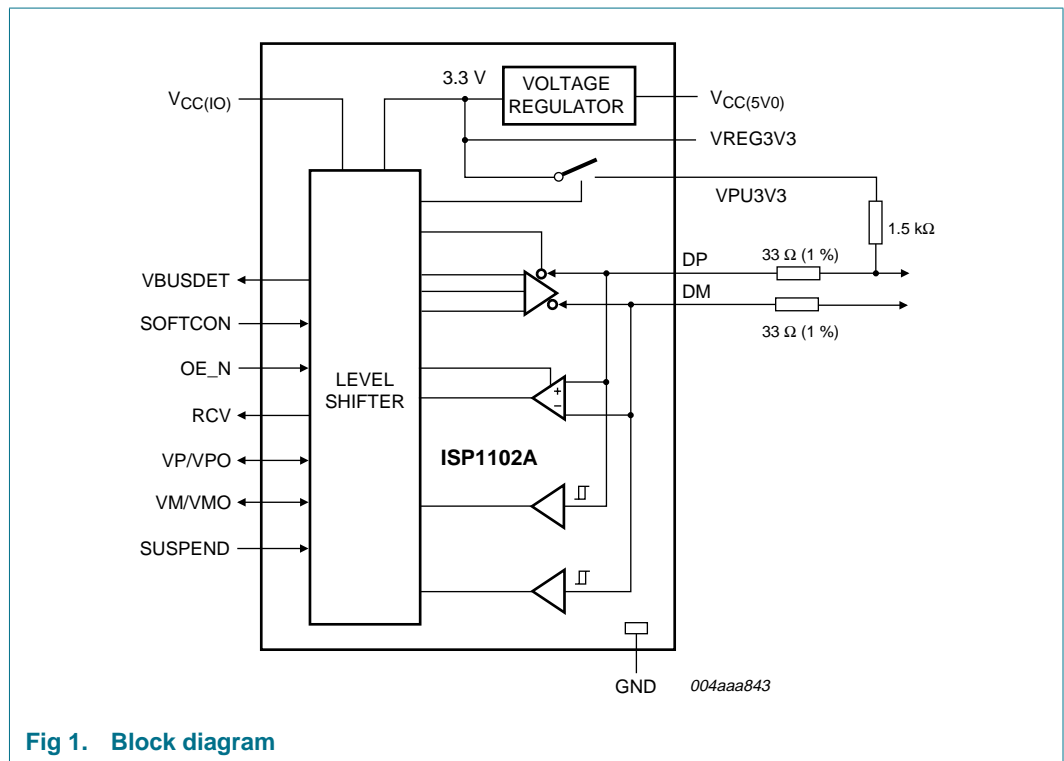


Fig 1. Block diagram

6. Pinning information

6.1 Pinning

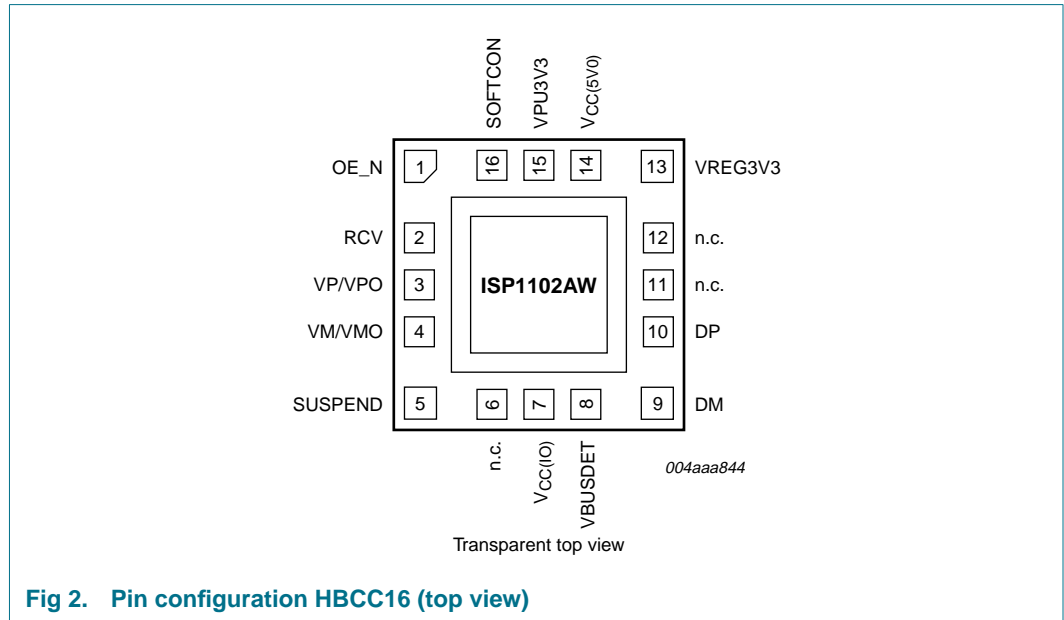


Fig 2. Pin configuration HBCC16 (top view)

6.2 Pin description

Table 2. Pin description

Symbol ^[1]	Pin	Type ^[2]	Description
OE_N	1	I	input for output enable (CMOS level with respect to $V_{CC(10)}$, active LOW); enables the transceiver to transmit data on the USB bus input pad; push pull; CMOS
RCV	2	O	differential data receiver output (CMOS level with respect to $V_{CC(10)}$); driven LOW when input SUSPEND is HIGH; the output state of RCV is preserved and stable during an SE0 condition output pad; push pull; 4 mA output drive; CMOS
VP/VPO	3	I/O	single-ended DP receiver output VP (CMOS level with respect to $V_{CC(10)}$); for external detection of SE0, error conditions, speed of connected device; this pin also acts as drive data input VPO; see Table 3 and Table 4 bidirectional pad; push-pull input; 3-state output; 4 mA output drive; CMOS
VM/VMO	4	I/O	single-ended DM receiver output VM (CMOS level with respect to $V_{CC(10)}$); for external detection of SE0, error conditions, speed of connected device; this pin also acts as drive data input VMO; see Table 3 and Table 4 bidirectional pad; push-pull input; 3-state output; 4 mA output drive; CMOS
SUSPEND	5	I	suspend input (CMOS level with respect to $V_{CC(10)}$); a HIGH level enables low-power state while the USB bus is inactive and drives output RCV to a LOW level input pad; push pull; CMOS
n.c.	6	-	not connected

Table 2. Pin description ...continued

Symbol ^[1]	Pin	Type ^[2]	Description
V _{CC(I/O)}	7	-	supply voltage for digital I/O pins (1.65 V to 3.6 V); when V _{CC(I/O)} is not connected, the DP and DM pins are in 3-state; this supply pin is totally independent of V _{CC(5V0)} and VREG3V3 and must never exceed the VREG3V3 voltage
V _{BUSDET}	8	O	V _{BUS} indicator output (CMOS level with respect to V _{CC(I/O)}) <ul style="list-style-type: none"> When V_{BUS} > 4.1 V, then V_{BUSDET} = HIGH When V_{BUS} < 3.6 V, then V_{BUSDET} = LOW When SUSPEND = HIGH, then the V_{BUSDET} function is invalid Connect a 1 µF-to-10 µF decoupling capacitor (4.7 µF capacitor is used on the ISP1102 evaluation board) output pad; push pull; 4 mA output drive; CMOS
DM	9	A/O	negative USB data bus connection (analog, differential)
DP	10	A/O	positive USB data bus connection (analog, differential)
n.c.	11	-	not connected
n.c.	12	-	not connected
VREG3V3	13	-	internal regulator option: regulated supply voltage output (3.0 V to 3.6 V) during 5 V operation; a decoupling capacitor of at least 0.1 µF is required regulator bypass option: used as a supply voltage input (3.3 V ± 10 %) for 3.3 V operation
V _{CC(5V0)}	14	-	internal regulator option: supply voltage input (4.0 V to 5.5 V); can directly be connected to USB line V _{BUS} regulator bypass option: connect to VREG3V3
VPU3V3	15	-	pull-up supply voltage (3.3 V ± 10 %); connect an external 1.5 kΩ resistor on DP (full-speed) This pin function is controlled by the SOFTCON input: SOFTCON = LOW — VPU3V3 floating (high-Z); ensures zero pull-up current SOFTCON = HIGH — VPU3V3 = 3.3 V; internally connected to VREG3V3
SOFTCON	16	I	software controlled USB connection input; a HIGH level applies 3.3 V to pin VPU3V3, which is connected to an external 1.5 kΩ pull-up resistor; this allows USB connect or disconnect signaling to be controlled by software input pad; push pull; CMOS
GND	exposed die pad	-	ground supply; down bonded to the exposed die pad (heat sink); to be connected to the PCB ground

[1] Symbol names with an underscore N (for example, OE_N) indicate active LOW signals.

[2] I = input; O = output; I/O = digital input/output; A/O = analog input/output.

7. Functional description

7.1 Function selection

Table 3. Function selection

SUSPEND	OE_N	DP, DM	RCV	VP/VPO	VM/VMO	Function
LOW	LOW	driving or receiving	active	VPO input	VMO input	normal driving (differential receiver active)
LOW	HIGH	receiving ^[1]	active	VP output	VM output	receiving
HIGH	LOW	driving	inactive ^[2]	VPO input	VMO input	driving during suspend (differential receiver inactive)
HIGH	HIGH	high-Z ^[1]	inactive ^[2]	VP output	VM output	low-power state

[1] Signal levels on the DP and DM pins are determined by other USB devices and external pull-up or pull-down resistors.

[2] In suspend mode (SUSPEND = HIGH), the differential receiver is inactive and output RCV is always LOW. The resume signaling is detected through single-ended receivers VP/VPO and VM/VMO.

7.2 Operating functions

Table 4. Driving function using differential input data interface (pin OE_N = LOW)

VM/VMO	VP/VPO	Data
LOW	LOW	SE0
LOW	HIGH	differential logic 1
HIGH	LOW	differential logic 0
HIGH	HIGH	illegal state

Table 5. Receiving function (pin OE_N = HIGH)

DP, DM	RCV	VP/VPO	VM/VMO
Differential logic 0	LOW	LOW	HIGH
Differential logic 1	HIGH	HIGH	LOW
SE0	RCV* ^[1]	LOW	LOW

[1] RCV* denotes the signal level on output RCV just before the SE0 state occurs. This level is stable during the SE0 period.

7.3 Power supply configurations

The ISP1102A can be used with various power supply configurations, which can be changed dynamically. [Table 7](#) provides an overview of the power supply configurations.

Normal mode — $V_{CC(10)}$ is connected. $V_{CC(5V0)}$ is connected only, or $V_{CC(5V0)}$ and VREG3V3 are connected.

For the 5 V operation, $V_{CC(5V0)}$ is connected to a 5 V source (4.0 V to 5.5 V). The internal voltage regulator then produces 3.3 V for USB connections.

For the 3.3 V operation, both $V_{CC(5V0)}$ and VREG3V3 are connected to a 3.3 V source (3.0 V to 3.6 V).

$V_{CC(10)}$ is independently connected to a voltage source (1.65 V to 3.6 V), depending on the supply voltage of the external circuit.

Sharing mode — $V_{CC(10)}$ is connected only, $V_{CC(5V0)}$ is $< 3.6\text{ V}$, and V_{REG3V3} is $< 2.4\text{ V}$. In this mode, the DP and DM pins are 3-stated and the ISP1102A allows external signals of up to 3.6 V to share the DP and DM lines. The internal circuits of the ISP1102A ensure that virtually no current (maximum $10\ \mu\text{A}$) is drawn through the DP and DM lines. The power consumption through pin $V_{CC(10)}$ drops to the low-power (suspended) state level.

Pins V_{BUSDET} and RCV are driven to LOW to indicate this mode. The V_{BUSDET} function is ignored during suspend mode of the ISP1102A.

Some hysteresis is built into the detection of V_{REG3V3} lost.

Remark: Sharing mode is not possible in the regulator bypass option.

Table 6. Pin states in sharing modes

Pin	Sharing mode
$V_{CC(5V0)}$	$< 3.6\text{ V}$
V_{REG3V3}	$< 2.4\text{ V}$
$V_{CC(10)}$	1.65 V to 3.6 V input
V_{PU3V3}	high-Z (off)
DP, DM	high-Z
$VP/VPO, VM/VMO$ ^[1]	LOW
RCV	LOW
V_{BUSDET}	LOW
$OE_N, SUSPEND, SOFTCON$	high-Z

[1] VP/VPO and VM/VMO are bidirectional pins.

Table 7. Power supply configuration overview

$V_{CC(5V0)}$	$V_{CC(10)}$	Configuration	Special characteristics
Connected	connected	normal mode	-
$< 3.6\text{ V}$	connected	sharing mode	DP, DM and V_{PU3V3} : high-Z VP/VPO and VM/VMO : driven LOW RCV : driven LOW V_{BUSDET} : driven LOW

7.4 Power supply input options

The ISP1102A has two power supply input options.

Internal regulator — Pin $V_{CC(5V0)}$ is connected to 4.0 V to 5.5 V. The internal regulator is used to supply the internal circuitry with 3.3 V (nominal). The VREG3V3 pin becomes a 3.3 V output reference.

Regulator bypass — Pins $V_{CC(5V0)}$ and VREG3V3 are connected to the same supply. The internal regulator is bypassed and the internal circuitry is supplied directly from pin VREG3V3. The voltage range is 3.0 V to 3.6 V to comply with [Ref. 1 “Universal Serial Bus Specification Rev. 2.0”](#).

The supply voltage range for each input option is specified in [Table 8](#).

Table 8. Power supply input options

Input option	$V_{CC(5V0)}$	VREG3V3	$V_{CC(I/O)}$
Internal regulator	supply input for internal regulator (4.0 V to 5.5 V)	voltage reference output (3.3 V, 300 μ A)	supply input for digital I/O pins (1.65 V to 3.6 V)
Regulator bypass	connected to VREG3V3 with maximum voltage drop of 0.3 V (2.7 V to 3.6 V)	supply input (3.0 V to 3.6 V)	supply input for digital I/O pins (1.65 V to 3.6 V)

8. ElectroStatic Discharge (ESD)

8.1 ESD protection

For the HBCC package, the pins that are connected to the USB connector (DP, DM, $V_{CC(5V0)}$ and GND) have a minimum of ± 12 kV ESD protection. The ± 12 kV measurement is limited by the test equipment. Capacitors of $4.7 \mu\text{F}$ connected from V_{REG3V3} to GND and $V_{CC(5V0)}$ to GND are required to achieve this ± 12 kV ESD protection (see [Figure 3](#)).

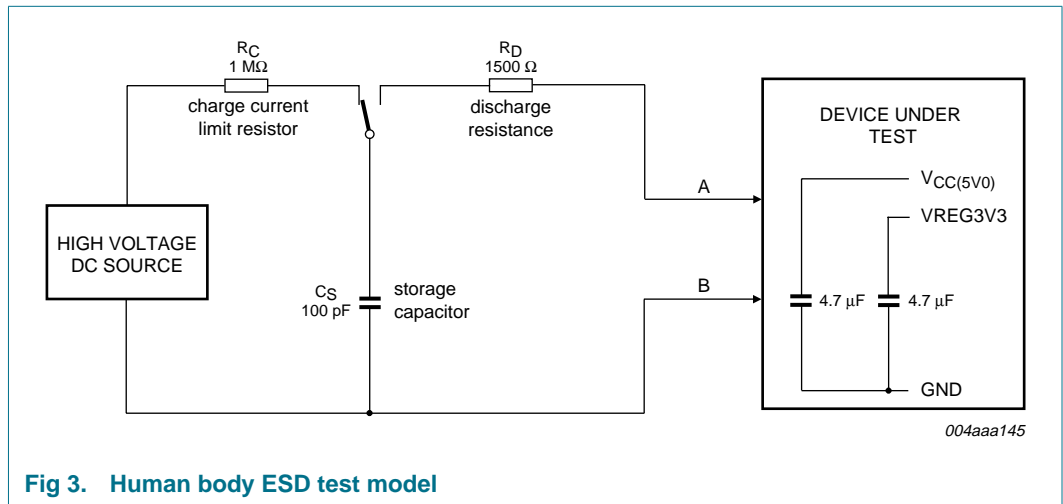


Fig 3. Human body ESD test model

8.2 ESD test conditions

A detailed report on test set up and results is available on request.

9. Limiting values

Table 9. Limiting values

In accordance with the Absolute Maximum Rating System (IEC 60134).

Symbol	Parameter	Conditions	Min	Max	Unit
$V_{CC(5V0)}$	supply voltage (5.0 V)		-0.5	+6.0	V
$V_{CC(IO)}$	IO supply voltage		-0.5	+4.6	V
V_I	input voltage		-0.5	$V_{CC(IO)} + 0.5$ V	V
I_{lu}	latch-up current	$V_I = -1.8$ V to +5.4 V	-	100	mA
V_{esd}	electrostatic discharge voltage	pins DP, DM, $V_{CC(5V0)}$ and GND; $I_{LI} < 3$ μ A	[1][2] -12000	+12000	V
		all other pins; $I_{LI} < 1$ μ A	[2] -2000	+2000	V
T_{stg}	storage temperature		-40	+125	$^{\circ}$ C

[1] Testing equipment limits measurement to only ± 12 kV. Capacitors needed on $V_{CC(5V0)}$ and VREG3V3 (see Section 8).

[2] Equivalent to discharging a 100 pF capacitor through a 1.5 k Ω resistor (Human Body Model).

10. Recommended operating conditions

Table 10. Recommended operating conditions

Symbol	Parameter	Conditions	Min	Typ	Max	Unit
$V_{CC(5V0)}$	supply voltage (5.0 V)		4.0	5.0	5.5	V
$V_{CC(IO)}$	IO supply voltage		1.65	-	3.6	V
V_I	input voltage		0	-	$V_{CC(IO)}$	V
$V_{IA(I/O)}$	input voltage on analog I/O pins	on pins DP and DM	0	-	3.6	V
T_j	junction temperature		-40	-	+125	$^{\circ}$ C
T_{amb}	ambient temperature		-40	-	+85	$^{\circ}$ C

11. Static characteristics

Table 11. Static characteristics: supply pins

$V_{CC(5V0)} = 4.0$ V to 5.5 V or $V_{(VREG3V3)} = 3.0$ V to 3.6 V; $V_{CC(IO)} = 1.65$ V to 3.6 V; $V_{GND} = 0$ V; see Table 8 for valid voltage level combinations; $T_{amb} = -40$ $^{\circ}$ C to +85 $^{\circ}$ C; unless otherwise specified.

Symbol	Parameter	Conditions	Min	Typ	Max	Unit
$V_{(VREG3V3)}$	voltage on pin VREG3V3	internal regulator option; $I_{load} \leq 300$ μ A	[1][2] 3.0	3.3	3.6	V
I_{CC}	supply current	transmitting and receiving at 12 Mbit/s; $C_L = 50$ pF on pins DP and DM	[3] -	4	8	mA
$I_{CC(IO)}$	supply current on pin $V_{CC(IO)}$	transmitting and receiving at 12 Mbit/s	[3] -	1	2	mA
$I_{CC(idle)}$	idle and SE0 supply current	idle: $V_{DP} > 2.7$ V, $V_{DM} < 0.3$ V; SE0: $V_{DP} < 0.3$ V, $V_{DM} < 0.3$ V	[4] -	-	300	μ A
$I_{CC(IO)static}$	static supply current on pin $V_{CC(IO)}$	idle, SE0 or suspend	-	-	20	μ A
$I_{CC(susp)}$	suspend supply current	SUSPEND = HIGH	[4] -	-	20	μ A

Table 11. Static characteristics: supply pins ...continued

$V_{CC(5V0)} = 4.0\text{ V to }5.5\text{ V}$ or $V_{(VREG3V3)} = 3.0\text{ V to }3.6\text{ V}$; $V_{CC(IO)} = 1.65\text{ V to }3.6\text{ V}$; $V_{GND} = 0\text{ V}$; see [Table 8](#) for valid voltage level combinations; $T_{amb} = -40\text{ }^{\circ}\text{C to }+85\text{ }^{\circ}\text{C}$; unless otherwise specified.

Symbol	Parameter	Conditions	Min	Typ	Max	Unit
$I_{CC(IO)sharing}$	sharing mode supply current on pin $V_{CC(IO)}$	$V_{CC(5V0)} < 3.6\text{ V}$	-	-	20	μA
$I_{load(sharing)DM}$	sharing mode load current on pin DM	$V_{CC(5V0)} < 3.6\text{ V}$; SOFTCON = LOW; $V_{DM} = 3.6\text{ V}$	-	-	10	μA
$I_{load(sharing)DP}$	sharing mode load current on pin DP	$V_{CC(5V0)} < 3.6\text{ V}$; SOFTCON = LOW; $V_{DP} = 3.6\text{ V}$	-	-	10	μA
$V_{CC(5V0)th}$	supply voltage detection threshold (5.0 V)	$1.65\text{ V} \leq V_{CC(IO)} \leq 3.6\text{ V}$				
		supply lost	-	-	3.6	V
		supply present	4.1	-	-	V
$V_{CC(5V0)hys}$	supply voltage detection hysteresis (5.0 V)	$V_{CC(IO)} = 1.8\text{ V}$	-	70	-	mV
$V_{CC(IO)th}$	supply voltage detection threshold on pin $V_{CC(IO)}$	$V_{(VREG3V3)} = 2.7\text{ V to }3.6\text{ V}$				
		supply lost	-	-	0.5	V
		supply present	1.4	-	-	V
$V_{CC(IO)hys}$	supply voltage detection hysteresis on pin $V_{CC(IO)}$	$V_{(VREG3V3)} = 3.3\text{ V}$	-	0.45	-	V
$V_{REG(3V3)th}$	regulated supply voltage detection threshold (3.3 V)	$1.65\text{ V} \leq V_{CC(IO)} \leq V_{(VREG3V3)}$; $2.7\text{ V} \leq V_{(VREG3V3)} \leq 3.6\text{ V}$				
		supply lost	-	-	0.8	V
		supply present	[5] 2.4	-	-	V
$V_{REG(3V3)hys}$	regulated supply voltage detection hysteresis (3.3 V)	$V_{CC(IO)} = 1.8\text{ V}$	-	0.45	-	V

[1] I_{load} includes the pull-up resistor current through pin VPU3V3.

[2] The minimum voltage is 2.7 V in suspend mode.

[3] Maximum value characterized only, not tested in production.

[4] Excluding any load current and VPU3V3 or V_{SW} source current to the 1.5 k Ω and 15 k Ω pull-up and pull-down resistors (200 μA typ.).

[5] When $V_{CC(IO)} < 2.7\text{ V}$, the minimum value for $V_{REG(3V3)th} = 2.0\text{ V}$ for supply present condition.

Table 12. Static characteristics: digital pins

$V_{CC(IO)} = 1.65\text{ V to }3.6\text{ V}$; $V_{GND} = 0\text{ V}$; $T_{amb} = -40\text{ }^{\circ}\text{C to }+85\text{ }^{\circ}\text{C}$; unless otherwise specified.

Symbol	Parameter	Conditions	Min	Typ	Max	Unit
$V_{CC(IO)} = 1.65\text{ V to }3.6\text{ V}$						
Input levels						
V_{IL}	LOW-level input voltage		-	-	$0.3V_{CC(IO)}$	V
V_{IH}	HIGH-level input voltage		$0.6V_{CC(IO)}$	-	-	V
Output levels						
V_{OL}	LOW-level output voltage	$I_{OL} = 100\text{ }\mu\text{A}$	-	-	0.15	V
		$I_{OL} = 2\text{ mA}$	-	-	0.4	V
V_{OH}	HIGH-level output voltage	$I_{OH} = 100\text{ }\mu\text{A}$	$V_{CC(IO)} - 0.15\text{ V}$	-	-	V
		$I_{OH} = 2\text{ mA}$	$V_{CC(IO)} - 0.4\text{ V}$	-	-	V

Table 12. Static characteristics: digital pins ...continued
 $V_{CC(IO)} = 1.65\text{ V to }3.6\text{ V}$; $V_{GND} = 0\text{ V}$; $T_{amb} = -40\text{ }^{\circ}\text{C to }+85\text{ }^{\circ}\text{C}$; unless otherwise specified.

Symbol	Parameter	Conditions	Min	Typ	Max	Unit
Capacitance						
C_{in}	input capacitance	pin to GND	-	-	10	pF
Example 1: $V_{CC(IO)} = 1.8\text{ V} \pm 0.15\text{ V}$						
Input levels						
V_{IL}	LOW-level input voltage		-	-	0.5	V
V_{IH}	HIGH-level input voltage		1.2	-	-	V
Output levels						
V_{OL}	LOW-level output voltage	$I_{OL} = 100\text{ }\mu\text{A}$	-	-	0.15	V
		$I_{OL} = 2\text{ mA}$	-	-	0.4	V
V_{OH}	HIGH-level output voltage	$I_{OH} = 100\text{ }\mu\text{A}$	1.5	-	-	V
		$I_{OH} = 2\text{ mA}$	1.25	-	-	V
Leakage current						
I_{LI}	input leakage current		[1] -1	-	+1	μA
Example 2: $V_{CC(IO)} = 2.5\text{ V} \pm 0.2\text{ V}$						
Input levels						
V_{IL}	LOW-level input voltage		-	-	0.7	V
V_{IH}	HIGH-level input voltage		1.7	-	-	V
Output levels						
V_{OL}	LOW-level output voltage	$I_{OL} = 100\text{ }\mu\text{A}$	-	-	0.15	V
		$I_{OL} = 2\text{ mA}$	-	-	0.4	V
V_{OH}	HIGH-level output voltage	$I_{OH} = 100\text{ }\mu\text{A}$	2.15	-	-	V
		$I_{OH} = 2\text{ mA}$	1.9	-	-	V
Leakage current						
I_{LI}	input leakage current		[1] -5	-	+5	μA
Example 3: $V_{CC(IO)} = 3.3\text{ V} \pm 0.3\text{ V}$						
Input levels						
V_{IL}	LOW-level input voltage		-	-	0.9	V
V_{IH}	HIGH-level input voltage		2.15	-	-	V
Output levels						
V_{OL}	LOW-level output voltage	$I_{OL} = 100\text{ }\mu\text{A}$	-	-	0.15	V
		$I_{OL} = 2\text{ mA}$	-	-	0.4	V
V_{OH}	HIGH-level output voltage	$I_{OH} = 100\text{ }\mu\text{A}$	2.85	-	-	V
		$I_{OH} = 2\text{ mA}$	2.6	-	-	V
Leakage current						
I_{LI}	input leakage current		[1] -5	-	+5	μA

[1] If $V_{CC(IO)} \geq V_{(VREG3V3)}$, then the leakage current will be higher than the specified value.

Table 13. Static characteristics: analog I/O pins DP and DM

$V_{CC(5V0)} = 4.0\text{ V to }5.5\text{ V}$ or $V_{(VREG3V3)} = 3.0\text{ V to }3.6\text{ V}$; $V_{GND} = 0\text{ V}$; $T_{amb} = -40\text{ }^{\circ}\text{C to }+85\text{ }^{\circ}\text{C}$; unless otherwise specified.

Symbol	Parameter	Conditions	Min	Typ	Max	Unit
Input levels						
Differential receiver						
V_{DI}	differential input sensitivity	$ V_{DP} - V_{DM} $	0.2	-	-	V
V_{CM}	differential common mode voltage	includes V_{DI} range	0.8	-	2.5	V
Single-ended receiver						
V_{IL}	LOW-level input voltage		-	-	0.8	V
V_{IH}	HIGH-level input voltage		2.0	-	-	V
V_{hys}	hysteresis voltage		0.4	-	0.7	V
Output levels						
V_{OL}	LOW-level output voltage	$R_L = 1.5\text{ k}\Omega\text{ to }3.6\text{ V}$	-	-	0.3	V
V_{OH}	HIGH-level output voltage	$R_L = 15\text{ k}\Omega\text{ to GND}$	[1] 2.8	-	3.6	V
Leakage current						
I_{LZ}	off-state leakage current		-1	-	+1	μA
Capacitance						
C_{in}	input capacitance	pin to GND	-	-	20	pF
Resistance						
Z_{DRV}	driver output impedance	steady-state drive	[2] 34	39	44	Ω
Z_{INP}	input impedance		10	-	-	M Ω
$R_{SW(VPU3V3)}$	switch-on resistance on pin VPU3V3		-	-	10	Ω
Termination						
V_{TERM}	termination voltage	for upstream port pull-up (R_{PU})	[3][4] 3.0	-	3.6	V

[1] $V_{OH(min)} = V_{(VREG3V3)} - 0.2\text{ V}$.

[2] Includes external resistors of $33\ \Omega \pm 1\%$ on both pins DP and DM.

[3] This voltage is available at pins VREG3V3 and VPU3V3.

[4] The minimum voltage is 2.7 V in suspend mode.

12. Dynamic characteristics

Table 14. Dynamic characteristics: analog I/O pins DP and DM

$V_{CC(5V0)} = 4.0\text{ V to }5.5\text{ V}$ or $V_{(VREG3V3)} = 3.0\text{ V to }3.6\text{ V}$; $V_{CC(I/O)} = 1.65\text{ V to }3.6\text{ V}$; $V_{GND} = 0\text{ V}$; see [Table 8](#) for valid voltage level combinations; $T_{amb} = -40\text{ }^{\circ}\text{C to }+85\text{ }^{\circ}\text{C}$; unless otherwise specified.

Symbol	Parameter	Conditions	Min	Typ	Max	Unit
Driver characteristics						
t_{FR}	rise time	$C_L = 50\text{ pF to }125\text{ pF}$; 10 % to 90 % of $ V_{OH} - V_{OL} $; see Figure 4	4	-	20	ns
t_{FF}	fall time	$C_L = 50\text{ pF to }125\text{ pF}$; 90 % to 10 % of $ V_{OH} - V_{OL} $; see Figure 4	4	-	20	ns
FRFM	differential rise time/fall time matching	excluding the first transition from Idle state	90	-	111.1	%

Table 14. Dynamic characteristics: analog I/O pins DP and DM ...continued

$V_{CC(5V0)} = 4.0\text{ V to }5.5\text{ V}$ or $V_{(VREG3V3)} = 3.0\text{ V to }3.6\text{ V}$; $V_{CC(IO)} = 1.65\text{ V to }3.6\text{ V}$; $V_{GND} = 0\text{ V}$; see [Table 8](#) for valid voltage level combinations; $T_{amb} = -40\text{ }^{\circ}\text{C to }+85\text{ }^{\circ}\text{C}$; unless otherwise specified.

Symbol	Parameter	Conditions	Min	Typ	Max	Unit
V_{CRS}	output signal crossover voltage	excluding the first transition from idle state; see Figure 5	[1] 1.3	-	2.0	V
Driver timing						
$t_{PLH(drv)}$	driver propagation delay (LOW to HIGH)	VPO, VMO to DP, DM; see Figure 5 and Figure 8	-	-	18	ns
$t_{PHL(drv)}$	driver propagation delay (HIGH to LOW)	VPO, VMO to DP, DM; see Figure 5 and Figure 8	-	-	18	ns
t_{PHZ}	driver disable delay from HIGH level	OE_N to DP, DM; see Figure 6 and Figure 9	-	-	15	ns
t_{PLZ}	driver disable delay from LOW level	OE_N to DP, DM; see Figure 6 and Figure 9	-	-	15	ns
t_{PZH}	driver enable delay to HIGH level	OE_N to DP, DM; see Figure 6 and Figure 9	-	-	15	ns
t_{PZL}	driver enable delay to LOW level	OE_N to DP, DM; see Figure 6 and Figure 9	-	-	15	ns
Receiver timings						
Differential receiver						
$t_{PLH(rcv)}$	receiver propagation delay (LOW to HIGH)	DP, DM to RCV; see Figure 7 and Figure 10	-	-	15	ns
$t_{PHL(rcv)}$	receiver propagation delay (HIGH to LOW)	DP, DM to RCV; see Figure 7 and Figure 10	-	-	15	ns
Single-ended receiver						
$t_{PLH(se)}$	single-ended propagation delay (LOW to HIGH)	DP, DM to VP/VPO, VM/VMO; see Figure 7 and Figure 10	-	-	18	ns
$t_{PHL(se)}$	single-ended propagation delay (HIGH to LOW)	DP, DM to VP/VPO, VM/VMO; see Figure 7 and Figure 10	-	-	18	ns

[1] Characterized only, not tested. Limits guaranteed by design.

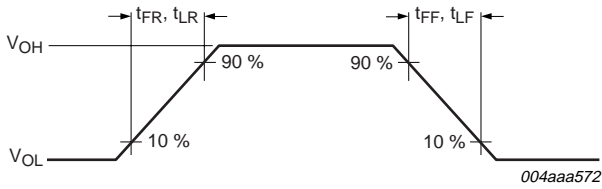


Fig 4. Rise time and fall time

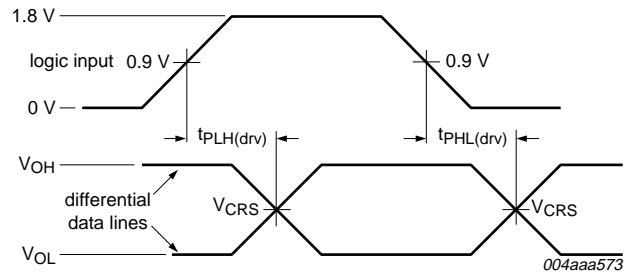


Fig 5. Timing of VPO and VMO to DP and DM

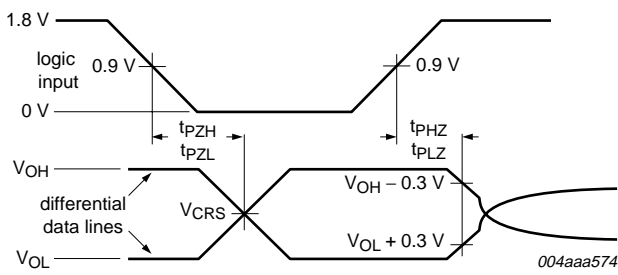


Fig 6. Timing of OE_N to DP and DM

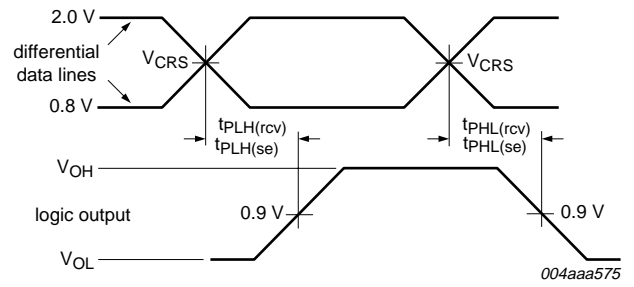
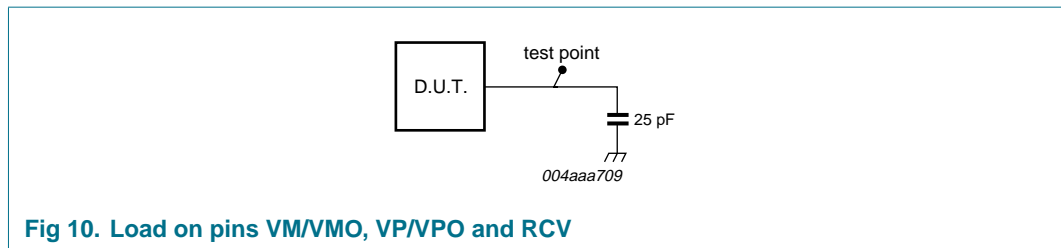
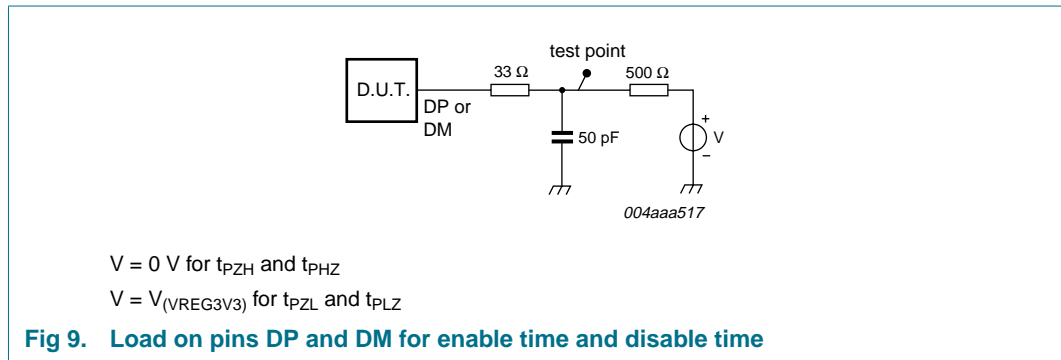
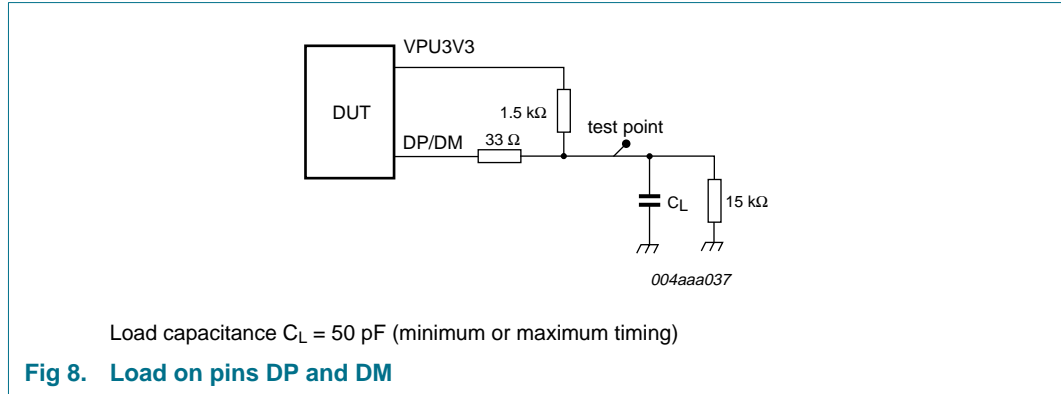


Fig 7. Timing of DP and DM to RCV, VP/VPO and VM/VMO

13. Test information



14. Package outline

HBCC16: plastic thermal enhanced bottom chip carrier; 16 terminals; body 3 x 3 x 0.65 mm

SOT639-2

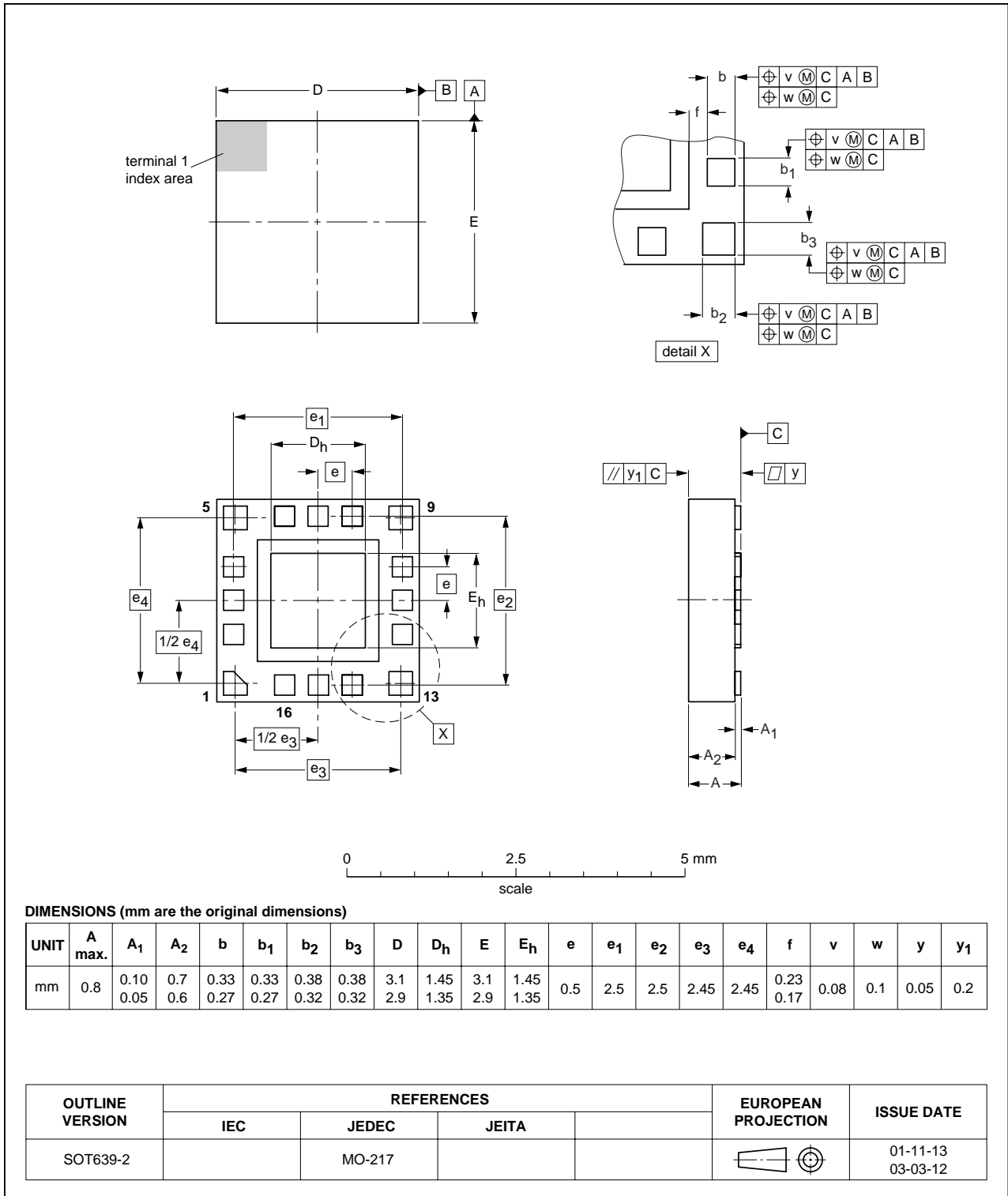


Fig 11. Package outline SOT639-2 (HBCC16)

15. Packing information

The ISP1102AW (HBCC16 package) is delivered on a Type A carrier tape, see [Figure 12](#). The tape dimensions are given in [Table 15](#).

The reel diameter is 330 mm. The reel is made of polystyrene (PS) and is not designed for use in a baking process.

The cumulative tolerance of 10 successive sprocket holes is ± 0.02 mm. The camber must not exceed 1 mm in 100 mm.

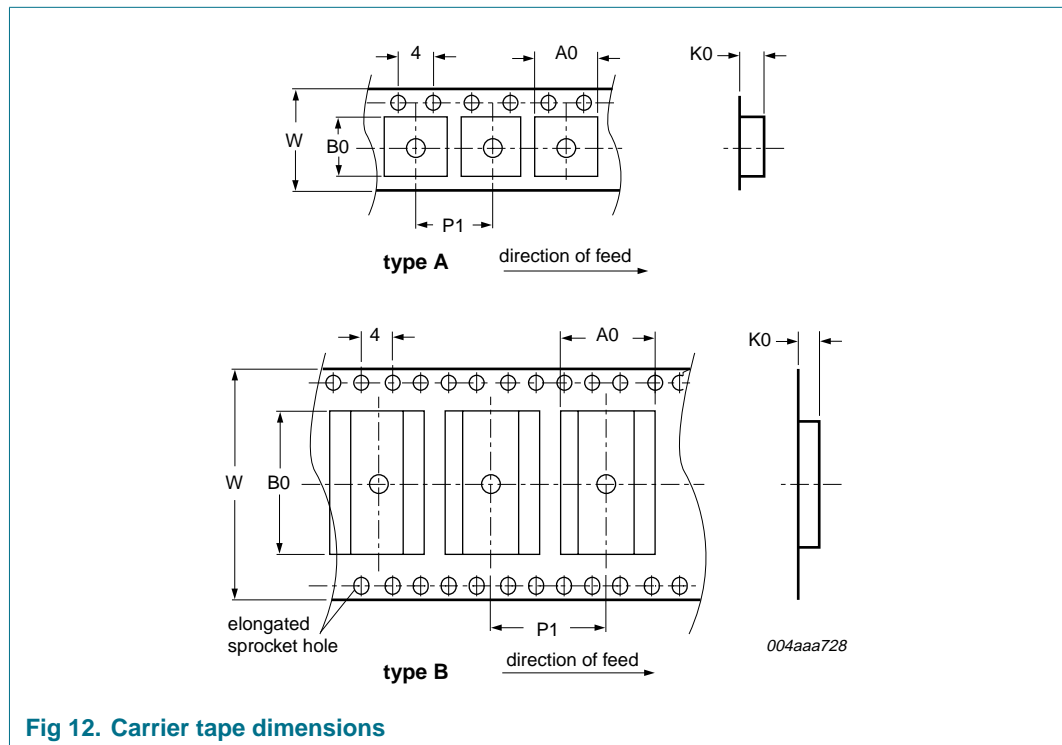


Fig 12. Carrier tape dimensions

Table 15. Type A carrier tape dimensions for the ISP1102AW

Dimension	Value	Unit
A0	3.3	mm
B0	3.3	mm
K0	1.1	mm
P1	8.0	mm
W	12.0 ± 0.3	mm

16. Soldering

This text provides a very brief insight into a complex technology. A more in-depth account of soldering ICs can be found in Application Note AN10365 “Surface mount reflow soldering description”.

16.1 Introduction to soldering

Soldering is one of the most common methods through which packages are attached to Printed Circuit Boards (PCBs), to form electrical circuits. The soldered joint provides both the mechanical and the electrical connection. There is no single soldering method that is ideal for all IC packages. Wave soldering is often preferred when through-hole and Surface Mount Devices (SMDs) are mixed on one printed wiring board; however, it is not suitable for fine pitch SMDs. Reflow soldering is ideal for the small pitches and high densities that come with increased miniaturization.

16.2 Wave and reflow soldering

Wave soldering is a joining technology in which the joints are made by solder coming from a standing wave of liquid solder. The wave soldering process is suitable for the following:

- Through-hole components
- Leaded or leadless SMDs, which are glued to the surface of the printed circuit board

Not all SMDs can be wave soldered. Packages with solder balls, and some leadless packages which have solder lands underneath the body, cannot be wave soldered. Also, leaded SMDs with leads having a pitch smaller than ~0.6 mm cannot be wave soldered, due to an increased probability of bridging.

The reflow soldering process involves applying solder paste to a board, followed by component placement and exposure to a temperature profile. Leaded packages, packages with solder balls, and leadless packages are all reflow solderable.

Key characteristics in both wave and reflow soldering are:

- Board specifications, including the board finish, solder masks and vias
- Package footprints, including solder thieves and orientation
- The moisture sensitivity level of the packages
- Package placement
- Inspection and repair
- Lead-free soldering versus PbSn soldering

16.3 Wave soldering

Key characteristics in wave soldering are:

- Process issues, such as application of adhesive and flux, clinching of leads, board transport, the solder wave parameters, and the time during which components are exposed to the wave
- Solder bath specifications, including temperature and impurities

16.4 Reflow soldering

Key characteristics in reflow soldering are:

- Lead-free versus SnPb soldering; note that a lead-free reflow process usually leads to higher minimum peak temperatures (see [Figure 13](#)) than a PbSn process, thus reducing the process window

- Solder paste printing issues including smearing, release, and adjusting the process window for a mix of large and small components on one board
- Reflow temperature profile; this profile includes preheat, reflow (in which the board is heated to the peak temperature) and cooling down. It is imperative that the peak temperature is high enough for the solder to make reliable solder joints (a solder paste characteristic). In addition, the peak temperature must be low enough that the packages and/or boards are not damaged. The peak temperature of the package depends on package thickness and volume and is classified in accordance with [Table 16](#) and [17](#)

Table 16. SnPb eutectic process (from J-STD-020C)

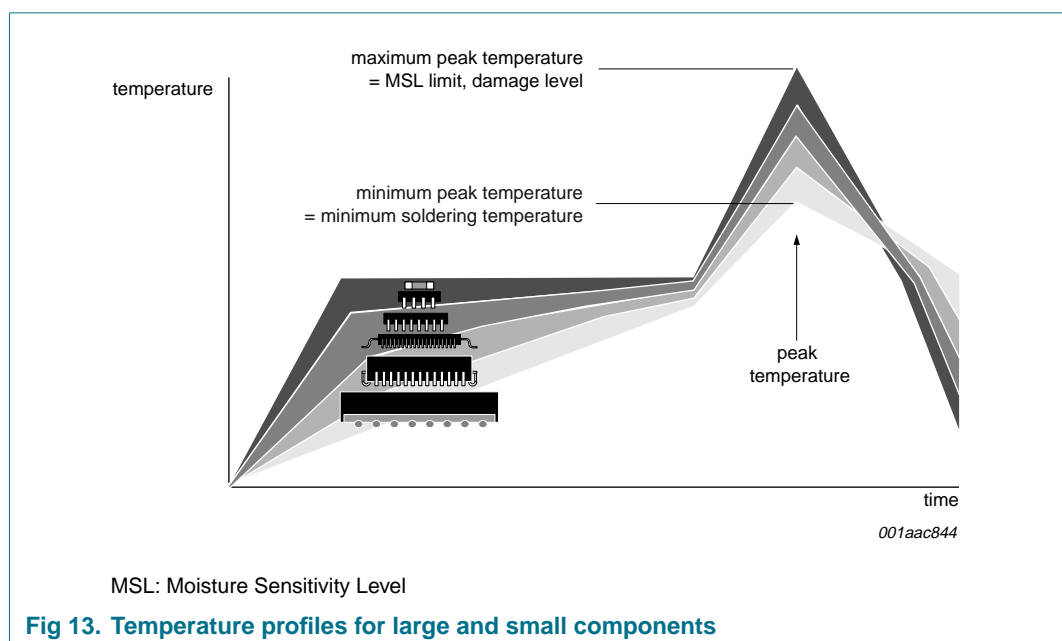
Package thickness (mm)	Package reflow temperature (°C)	
	Volume (mm ³)	
	< 350	≥ 350
< 2.5	235	220
≥ 2.5	220	220

Table 17. Lead-free process (from J-STD-020C)

Package thickness (mm)	Package reflow temperature (°C)		
	Volume (mm ³)		
	< 350	350 to 2000	> 2000
< 1.6	260	260	260
1.6 to 2.5	260	250	245
> 2.5	250	245	245

Moisture sensitivity precautions, as indicated on the packing, must be respected at all times.

Studies have shown that small packages reach higher temperatures during reflow soldering, see [Figure 13](#).



For further information on temperature profiles, refer to Application Note AN10365 “Surface mount reflow soldering description”.

17. Abbreviations

Table 18. Abbreviations

Acronym	Description
ASIC	Application-Specific Integrated Circuit
CMOS	Complementary Metal-Oxide Semiconductor
ESD	ElectroStatic Discharge
HBM	Human Body Model
SE0	Single-Ended Zero
USB	Universal Serial Bus

18. References

- [1] Universal Serial Bus Specification Rev. 2.0
- [2] Electrostatic Discharge (ESD) Sensitivity Testing Human Body Model (HBM) (JESD22-A114D)

19. Revision history

Table 19. Revision history

Document ID	Release date	Data sheet status	Change notice	Supersedes
ISP1102A_1	20070215	Product data sheet	-	-

20. Legal information

20.1 Data sheet status

Document status ^{[1][2]}	Product status ^[3]	Definition
Objective [short] data sheet	Development	This document contains data from the objective specification for product development.
Preliminary [short] data sheet	Qualification	This document contains data from the preliminary specification.
Product [short] data sheet	Production	This document contains the product specification.

[1] Please consult the most recently issued document before initiating or completing a design.

[2] The term 'short data sheet' is explained in section "Definitions".

[3] The product status of device(s) described in this document may have changed since this document was published and may differ in case of multiple devices. The latest product status information is available on the Internet at URL <http://www.nxp.com>.

20.2 Definitions

Draft — The document is a draft version only. The content is still under internal review and subject to formal approval, which may result in modifications or additions. NXP Semiconductors does not give any representations or warranties as to the accuracy or completeness of information included herein and shall have no liability for the consequences of use of such information.

Short data sheet — A short data sheet is an extract from a full data sheet with the same product type number(s) and title. A short data sheet is intended for quick reference only and should not be relied upon to contain detailed and full information. For detailed and full information see the relevant full data sheet, which is available on request via the local NXP Semiconductors sales office. In case of any inconsistency or conflict with the short data sheet, the full data sheet shall prevail.

20.3 Disclaimers

General — Information in this document is believed to be accurate and reliable. However, NXP Semiconductors does not give any representations or warranties, expressed or implied, as to the accuracy or completeness of such information and shall have no liability for the consequences of use of such information.

Right to make changes — NXP Semiconductors reserves the right to make changes to information published in this document, including without limitation specifications and product descriptions, at any time and without notice. This document supersedes and replaces all information supplied prior to the publication hereof.

Suitability for use — NXP Semiconductors products are not designed, authorized or warranted to be suitable for use in medical, military, aircraft, space or life support equipment, nor in applications where failure or

malfunction of a NXP Semiconductors product can reasonably be expected to result in personal injury, death or severe property or environmental damage. NXP Semiconductors accepts no liability for inclusion and/or use of NXP Semiconductors products in such equipment or applications and therefore such inclusion and/or use is at the customer's own risk.

Applications — Applications that are described herein for any of these products are for illustrative purposes only. NXP Semiconductors makes no representation or warranty that such applications will be suitable for the specified use without further testing or modification.

Limiting values — Stress above one or more limiting values (as defined in the Absolute Maximum Ratings System of IEC 60134) may cause permanent damage to the device. Limiting values are stress ratings only and operation of the device at these or any other conditions above those given in the Characteristics sections of this document is not implied. Exposure to limiting values for extended periods may affect device reliability.

Terms and conditions of sale — NXP Semiconductors products are sold subject to the general terms and conditions of commercial sale, as published at <http://www.nxp.com/profile/terms>, including those pertaining to warranty, intellectual property rights infringement and limitation of liability, unless explicitly otherwise agreed to in writing by NXP Semiconductors. In case of any inconsistency or conflict between information in this document and such terms and conditions, the latter will prevail.

No offer to sell or license — Nothing in this document may be interpreted or construed as an offer to sell products that is open for acceptance or the grant, conveyance or implication of any license under any copyrights, patents or other industrial or intellectual property rights.

20.4 Trademarks

Notice: All referenced brands, product names, service names and trademarks are the property of their respective owners.

21. Contact information

For additional information, please visit: <http://www.nxp.com>

For sales office addresses, send an email to: salesaddresses@nxp.com

22. Tables

Table 1. Ordering information2
 Table 2. Pin description3
 Table 3. Function selection5
 Table 4. Driving function using differential input data
 interface (pin OE_N = LOW)5
 Table 5. Receiving function (pin OE_N = HIGH)5
 Table 6. Pin states in sharing modes6
 Table 7. Power supply configuration overview6
 Table 8. Power supply input options7
 Table 9. Limiting values9
 Table 10. Recommended operating conditions9
 Table 11. Static characteristics: supply pins9
 Table 12. Static characteristics: digital pins10
 Table 13. Static characteristics: analog I/O pins
 DP and DM12
 Table 14. Dynamic characteristics: analog I/O pins
 DP and DM12
 Table 15. Type A carrier tape dimensions for the
 ISP1102AW17
 Table 16. SnPb eutectic process (from J-STD-020C) ...19
 Table 17. Lead-free process (from J-STD-020C)19
 Table 18. Abbreviations20
 Table 19. Revision history20

continued >>

23. Figures

Fig 1. Block diagram2
 Fig 2. Pin configuration HBCC16 (top view)3
 Fig 3. Human body ESD test model.8
 Fig 4. Rise time and fall time14
 Fig 5. Timing of VPO and VMO to DP and DM14
 Fig 6. Timing of OE_N to DP and DM14
 Fig 7. Timing of DP and DM to RCV, VP/VPO and
 VM/VMO14
 Fig 8. Load on pins DP and DM.15
 Fig 9. Load on pins DP and DM for enable time and
 disable time15
 Fig 10. Load on pins VM/VMO, VP/VPO and RCV15
 Fig 11. Package outline SOT639-2 (HBCC16).16
 Fig 12. Carrier tape dimensions.17
 Fig 13. Temperature profiles for large and small
 components19

continued >>

24. Contents

1	General description	1
2	Features	1
3	Applications	2
4	Ordering information	2
5	Block diagram	2
6	Pinning information	3
6.1	Pinning	3
6.2	Pin description	3
7	Functional description	5
7.1	Function selection	5
7.2	Operating functions	5
7.3	Power supply configurations	5
7.4	Power supply input options	7
8	ElectroStatic Discharge (ESD)	8
8.1	ESD protection	8
8.2	ESD test conditions	8
9	Limiting values	9
10	Recommended operating conditions	9
11	Static characteristics	9
12	Dynamic characteristics	12
13	Test information	15
14	Package outline	16
15	Packing information	17
16	Soldering	17
16.1	Introduction to soldering	18
16.2	Wave and reflow soldering	18
16.3	Wave soldering	18
16.4	Reflow soldering	18
17	Abbreviations	20
18	References	20
19	Revision history	20
20	Legal information	21
20.1	Data sheet status	21
20.2	Definitions	21
20.3	Disclaimers	21
20.4	Trademarks	21
21	Contact information	21
22	Tables	22
23	Figures	23
24	Contents	24

Please be aware that important notices concerning this document and the product(s) described herein, have been included in section 'Legal information'.

founded by

PHILIPS

© NXP B.V. 2007.

All rights reserved.

For more information, please visit: <http://www.nxp.com>

For sales office addresses, please send an email to: salesaddresses@nxp.com

Date of release: 15 February 2007

Document identifier: ISP1102A_1