

RAD-ISM-900-DATA-BD-BUS

Order No.: 2867296



<http://eshop.phoenixcontact.de/phoenix/treeViewClick.do?UID=2867296>

Wireless transceiver (transmitter and receiver) with RS-232, RS-485/RS-422 interface and bus foot, for 900 MHz ISM band (America)



Commercial data	
GTIN (EAN)	4017918952754
Note	Made-to-order
sales group	H172
Pack	1 pcs.
Customs tariff	85176200
Weight/Piece	0.2418 KG
Catalog page information	Page 639 (IF-2009)

<http://www.download.phoenixcontact.com>
Please note that the data given here has been taken from the online catalog. For comprehensive information and data, please refer to the user documentation. The General Terms and Conditions of Use apply to Internet downloads.

Technical data	
Wireless set	
Set contents	1 transceiver
Wireless path	
Direction	Bi-directional
Frequency range	902 MHz ... 928 MHz
Transmission power	1 W
Number of channel groups	4
Number of channels per group	63

Serial interface

Name	RS-232
Data rate	1,2 / 2,4 / 9,6 / 19,2 / 38,4 kBit/s
Type of connection	9-pos. D-SUB (female connector)
File format/coding	Asynchronous
Data flow control/protocols	RTS/CTS
Name	RS-485/RS-422
Data rate	1,2 / 2,4 / 9,6 / 19,2 / 38,4 kBit/s
Type of connection	COMBICON plug-in screw terminal block

Supply

Supply voltage	24 V DC
Supply voltage range	9 V DC ... 30 V DC
Typical current consumption	110 mA
Max. current consumption	180 mA

General data

Ambient temperature (operation)	-40 °C ... 70 °C
Ambient temperature (storage/transport)	-40 °C ... 85 °C
Degree of protection	IP20
Mounting position	Any
Assembly instructions	on TS 35 profile rail acc. to EN 60715
Housing material	Polyamide PA non-reinforced
Width	22.5 mm
Height	99 mm
Depth	114.5 mm
Conformance	FCC Directive, Part 15.247 ISC Directive RSS 210
UL, USA / Canada	Class I, Div. 2, Groups A, B, C, D

Connection data

Conductor cross section solid min.	0.2 mm ²
Conductor cross section solid max.	4 mm ²
Conductor cross section stranded min.	0.2 mm ²
Conductor cross section stranded max.	2.5 mm ²
Conductor cross section AWG/kcmil min.	24
Conductor cross section AWG/kcmil max	12

Type of connection	Screw connection
Stripping length	8 mm
Screw thread	M3

Certificates / Approvals

Certification Ex: CUL-EX LIS, UL-EX LIS

Accessories

Item	Designation	Description
Cable/conductor		
2867238	RAD-CAB-LMR400-100	Antenna extension cable, length: 100 ft
2867380	RAD-CAB-LMR400-60	Antenna extension cable, length: 60 ft
2867393	RAD-CAB-LMR400-80	Antenna extension cable, length: 80 ft
2885210	RAD-CAB-LMR600-125	Antenna extension cable, length: 125 ft
2885184	RAD-CAB-LMR600-150	Antenna extension cable, length: 150 ft
2885197	RAD-CAB-LMR900-200	Antenna extension cable, length: 200 ft
2867597	RAD-CAB-RG213-25	Antenna extension cable, length: 25 ft
2867377	RAD-CAB-RG213-40	Antenna extension cable, length: 40 ft
2867225	RAD-CAB-RG213-50	Antenna extension cable, length: 50 ft
2867364	RAD-CAB-RG58-10	Antenna extension cable, length: 10 ft
2867212	RAD-CAB-RG58-20	Antenna extension cable, length: 20 ft

General

2867322	RAD-IN+OUT-2D-1A-I	Analog /digital module for 2 digital inputs/outputs and 1 analog input/output
2885223	RAD-IN-2D-CNT	Digital expansion module with 2 digital inputs for measuring pulses and frequencies
2867115	RAD-IN-4A-I	Analog extension module with 4 analog current inputs 4 mA ... 20 mA
2867144	RAD-IN-8D	Digital extension module with 8 digital inputs
2867050	RAD-ISM-900-ANT-4	4-way distributor for antenna signals (antenna splitter), MCX connection (female)
2867160	RAD-ISM-900-ANT-OMNI-0-6	Omnidirectional antenna, IP65 protection, cable length 2 m, connection MCX (male)
2867199	RAD-ISM-900-ANT-OMNI-5	Omnidirectional antenna, IP65 protection, gain 7 dBi, connection N (female)
2867791	RAD-ISM-900-ANT-OMNI-FG-3-N	Omnidirectional antenna, IP65 protection, gain 5 dBi, connection N (female)

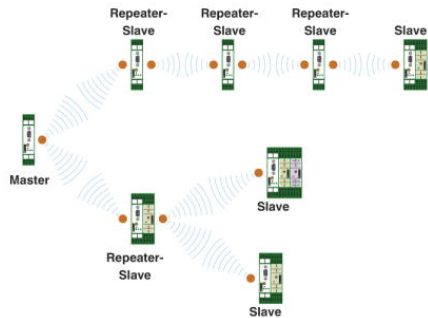
2885579	RAD-ISM-900-ANT-OMNI-FG-6-N	Omnidirectional antenna, IP65 protection, gain 8 dBi, connection N (female)
2867801	RAD-ISM-900-ANT-YAGI-3-N	Panel antenna, IP65 protection, gain 5 dBi, cable length 1.5 m, connection N (female)
2867830	RAD-ISM-900-ANT-YAGI-6.5-50-AS	Panel antenna with surge protection, adapter cable MCX->N and assembly material, IP65 protection, gain 8.5 dBi, cable length 15.2 m, connection N (female)
2867814	RAD-ISM-900-ANT-YAGI-6.5-N	Panel antenna, IP65 protection, gain 8.5 dBi, cable length 1.5 m, connection N (female)
2885236	RAD-OUT-2D-CNT	Digital expansion module with 2 digital outputs for output of pulses and frequencies
2867128	RAD-OUT-4A-I	Analog extension module with 4 analog current outputs 4 mA ... 20mA
2867157	RAD-OUT-8D-REL	Digital extension module with 8 digital outputs

Plug/Adapter

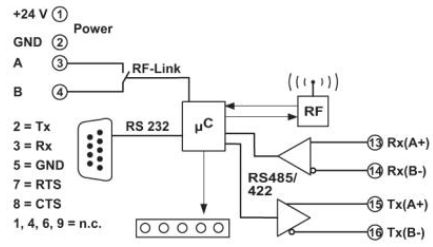
2867607	RAD-CON-MCX-MCX-SS	Adapter cable, pigtail 30 cm SMA (m) -> N (m)
2867717	RAD-CON-MCX-N-SB	Adapter cable, pigtail 120 cm MCX(m) -> N(f)
2885207	RAD-CON-MCX90-N-SS	Adapter cable, pigtail 120 cm 90° MCX(m) -> N(m)
2867403	RAD-CON-SMA-N-SS	Adapter cable, pigtail 120 cm SMA(m) -> N(m)

Diagrams/Drawings

Application drawing



Block diagram



Address

PHOENIX CONTACT Inc., USA
586 Fulling Mill Road
Middletown, PA 17057, USA
Phone (800) 888-7388
Fax (717) 944-1625
<http://www.phoenixcon.com>



© 2010 Phoenix Contact
Technical modifications reserved;