



SK70725/SK70721

Enhanced Multi-Rate DSL Data Pump Chip Set

Datasheet

The Enhanced Multi-Rate DSL Data Pump (EMDP) is a variable-rate transceiver that provides symmetric full-duplex communication on one twisted wire pair using a 2B1Q line code with echo-cancellation. The EMDP operates in either framed or Transparent modes and supports channelized, cell and packet applications. Symmetrical line rates may be at any speed between 272 and 1,168 kbps. Performance is specified at 272, 400, 528 784 and 1,168 kbps for payloads of 4, 6, 8, 12 or 18 channels at 64 kbps and 16 kbps of overhead.

The EMDP chip set consists of two devices:

- SK70725 - Enhanced Digital Signal Processor (EDSP)
- SK70721- Integrated Analog Front-End (IAFE)

The IAFE is a fully integrated CMOS analog front-end which includes D/A converter, filters, and transmit line drivers. Receiver functions include analog echo canceller, AGC, A/D converter modulator and VCXO functions. The EDSP incorporates all digital signal processing required for A/D conversion, echo-cancellation, data scrambling and adaptive equalization as well as transceiver activation state machine control.

Applications

- High speed symmetrical Internet access
- Extended range fractional T1/E1 transport
- Digital pairgain systems from 4 to 18 channels
- Wireless base station access
- WAN access for 10BaseT and ATM LANs
- Video Conferencing Systems

As of January 15, 2001, this document replaces the Level One document
SK70725/SK70721 — *Enhanced Multi-Rate DSL Data Pump Chip Set*.

Order Number: [249211-001](#)
January 2001



Information in this document is provided in connection with Intel® products. No license, express or implied, by estoppel or otherwise, to any intellectual property rights is granted by this document. Except as provided in Intel's Terms and Conditions of Sale for such products, Intel assumes no liability whatsoever, and Intel disclaims any express or implied warranty, relating to sale and/or use of Intel products including liability or warranties relating to fitness for a particular purpose, merchantability, or infringement of any patent, copyright or other intellectual property right. Intel products are not intended for use in medical, life saving, or life sustaining applications.

Intel may make changes to specifications and product descriptions at any time, without notice.

Designers must not rely on the absence or characteristics of any features or instructions marked "reserved" or "undefined." Intel reserves these for future definition and shall have no responsibility whatsoever for conflicts or incompatibilities arising from future changes to them.

The SK70725/SK70721 may contain design defects or errors known as errata which may cause the product to deviate from published specifications. Current characterized errata are available on request.

Contact your local Intel sales office or your distributor to obtain the latest specifications and before placing your product order.

Copies of documents which have an ordering number and are referenced in this document, or other Intel literature may be obtained by calling 1-800-548-4725 or by visiting Intel's website at <http://www.intel.com>.

Copyright © Intel Corporation, 2001

*Third-party brands and names are the property of their respective owners.

Datasheet

Contents

| | | |
|------------|--|----|
| 1.0 | Features | 7 |
| 2.0 | Pin Assignments and Signal Descriptions | 9 |
| 3.0 | Functional Description | 17 |
| 3.1 | Component Description | 17 |
| 3.1.1 | Integrated Analog Front End | 17 |
| 3.1.2 | Enhanced MDSL Digital Signal Processor | 18 |
| 3.1.3 | EDSP/IAFE Interface | 19 |
| 3.1.4 | Line Interface | 22 |
| 3.1.5 | Data Interface | 22 |
| 3.1.6 | EDSP Registers | 25 |
| 3.2 | Data Pump Operation | 35 |
| 3.2.1 | Operating Modes | 35 |
| 3.2.2 | Timing and Data Synchronization | 40 |
| 3.2.3 | Control Modes | 41 |
| 3.2.4 | Register Access | 44 |
| 3.2.5 | Activation | 45 |
| 3.2.6 | Frame Synchronization | 55 |
| 3.2.7 | Deactivation | 57 |
| 3.3 | Special Features | 57 |
| 3.3.1 | Micro-interruption | 57 |
| 3.3.2 | Loopbacks | 59 |
| 3.3.3 | TIP/RING Reversal | 59 |
| 3.3.4 | Loop Loss and SNR | 60 |
| 4.0 | Application Information | 62 |
| 4.1 | PCB Layout | 62 |
| 4.1.1 | Digital Section | 62 |
| 4.1.2 | Analog Section | 62 |
| 4.2 | Typical Application | 63 |
| 4.2.1 | Transformer Specifications | 67 |
| 4.2.2 | Crystal Specifications | 68 |
| 4.2.3 | Clock Oscillator Specifications | 68 |
| 5.0 | Test Specifications | 69 |
| 6.0 | Acronyms | 82 |

Figures

| | | |
|----|---|----|
| 1 | SK70725/SK70721 Block Diagram | 7 |
| 2 | Package Markings..... | 8 |
| 3 | IAFE Pin Locations..... | 9 |
| 4 | EDSP Pin Assignments..... | 11 |
| 5 | EDSP/IAFE Interface – Relative Timing..... | 21 |
| 6 | MDSL System Data Transport (Framed Mode Shown) | 23 |
| 7 | MDSL Frame (4,702 bits per frame example)..... | 24 |
| 8 | Framing with and without stuff bits(4,702 bits per frame example)..... | 25 |
| 9 | Clock/Data relationships: Transparent Operating Mode (#0), Sign First, Not Scrambled | 36 |
| 10 | Clock/Data relationships: Transparent Operating Mode (#1), Magnitude First, Not Scrambled | 36 |
| 11 | Clock/Data Relationships: Transparent Operating Mode (#2), Scrambled | 37 |
| 12 | Clock/Data Relationships: Independent Operating Mode (#4), Sign First, Scrambler Disabled | 37 |
| 13 | Clock/Data Relationships: Independent Operating Mode (#5), Scrambled..... | 37 |
| 14 | Clock/Data Relationships: Framed Mode (#6), Scrambled (7006/7010 bits per frame) | 39 |
| 15 | Clock/Data Relationships: Framed Mode (#7), Scrambled (4702/4706 bits per frame) | 40 |
| 16 | EMDP Clock Distribution In Master and Slave Modes | 41 |
| 17 | EDSP Control and Status Signals (Stand-alone Model) | 43 |
| 18 | Activation State Machine for Modes 0,1,2,4 & 5 | 46 |
| 19 | Activation State Machine for Modes 6 & 7 | 47 |
| 20 | MDSL Activating State Detail - Unframed Modes 0,1,2,4, and 5 | 51 |
| 21 | MDSL Activating State Detail - Framed Modes 6 and 7..... | 52 |
| 22 | MDSL Synchronization State Machine..... | 56 |
| 23 | Micro-interruption as Defined in ETR-152..... | 58 |
| 24 | Loopbacks..... | 61 |
| 25 | PCB Layout Guidelines (Figure 26 for schematic) | 64 |
| 26 | Typical Application (Software Mode)..... | 65 |
| 27 | Typical Application (Optimized for noise free performance) | 66 |
| 28 | IAFE Normalized Pulse Amplitude Transmit Template | 70 |
| 29 | Transmit Power Spectral Density—Upper Bound | 71 |
| 30 | Typical Performance vs. Line Rate and Cable Gauge (Metric)..... | 72 |
| 31 | Typical Performance vs. Line Rate and Cable Gauge (English)..... | 73 |
| 32 | EDSP Clock and Data Interface Timing | 76 |
| 33 | EDSP Data Interface Timing | 77 |
| 34 | RESET Timing (Processor Control Mode) | 78 |
| 35 | EDSP Read and Write Timing (Processor Control Mode..... | 79 |
| 36 | ACTREQ Signal Timing (Hardware Mode) | 80 |
| 37 | Data Pump Package Specifications | 81 |

Tables

| | | |
|----|--|----|
| 1 | IAFE Pin Assignments/Signal Descriptions..... | 9 |
| 2 | EDSP Pin Assignments/Signal Descriptions..... | 11 |
| 3 | 2B1Q Pulse Coding Rule..... | 18 |
| 4 | EDSP/IAFE Serial Control Port Word Bit Definitions..... | 20 |
| 5 | EMDP Data Mode Selection..... | 22 |
| 6 | Min, Max and alternate bit stuffed frame timing and Payload data rate..... | 25 |
| 7 | Register Summary..... | 26 |
| 8 | Main Control Register (WR0)..... | 27 |
| 9 | Interrupt Mask and Line Reversal Control Register (WR2)..... | 28 |
| 10 | Master Activation Timer Constant (MATC) (WR3)..... | 28 |
| 11 | Coefficient Select Functions of Register (WR3)..... | 28 |
| 12 | Gain Control Register (WR9)..... | 29 |
| 13 | Micro-interruption Timer Register (MITR)..... | 30 |
| 14 | Activation Sub-State Timer Registers..... | 30 |
| 15 | Main Status Register (RD0)..... | 30 |
| 16 | AGC Tap Value Register (RD1)..... | 32 |
| 17 | Noise Margin Register (RD2)..... | 32 |
| 18 | Coefficient Read Registers (RD3 and RD4)..... | 33 |
| 19 | Activating Status Register (RD5)..... | 33 |
| 20 | Activation State, Receiver AGC and FFE Step Gain Register (RD6)..... | 34 |
| 21 | Data Pump Activation State..... | 35 |
| 22 | EMDP Mode Dependent Activation Signal State..... | 48 |
| 23 | Details of Activating State..... | 49 |
| 24 | Activating Sub-state Timers..... | 53 |
| 25 | Master Activation Timer Examples..... | 54 |
| 26 | State Machine Default Timer Durations (Figure 18 and Figure 19)..... | 55 |
| 27 | Activation and Synchronization States..... | 55 |
| 28 | MIT Register Setting Example..... | 59 |
| 29 | Components for Typical Application (Figure 26)..... | 65 |
| 30 | Components for Typical Application (Figure 27)..... | 67 |
| 31 | Typical Transformer Specifications (Figure 26 and Figure 27)..... | 67 |
| 32 | Typical Crystal Specifications (Figure 26 and Figure 27)..... | 68 |
| 33 | Typical Clock Oscillator Specifications..... | 68 |
| 34 | IAFE Absolute Maximum Ratings..... | 69 |
| 35 | IAFE Recommended Operating Conditions..... | 69 |
| 36 | IAFE DC Electrical Characteristics (Over Recommended Range)..... | 69 |
| 37 | IAFE Transmitter Electrical Parameters (Over Recommended Range)..... | 70 |
| 38 | IAFE Receiver Electrical Parameters (Over Recommended Range)..... | 71 |
| 39 | EDSP Absolute Maximum Ratings..... | 73 |
| 40 | EDSP Recommended Operating Conditions..... | 74 |
| 41 | EDSP DC Electrical Characteristics (Over Recommended Range)..... | 74 |
| 42 | EMDP Data Interface Timing Specifications..... | 74 |
| 43 | EDSP/Microprocessor Interface Timing Specifications..... | 77 |
| 44 | General System and Hardware Mode Timing..... | 80 |
| 45 | Acronyms..... | 82 |



Revision History

| Revision | Date | Description |
|----------|------|-------------|
| | | |
| | | |
| | | |

1.0 Features

- Fully integrated, 2-chip transceiver. Compliant with the following standards:
 - ITU G.991.1
 - ANSI Committee T1E1.4-TR28 (T1E1.4/96-006)
 - ETSI ETR-152
- Integrated line drivers, filters and hybrid circuits reduce the number of external components required
- Multiple framing modes: Transparent, T1 standard, E1 standard
- Independent transmit and receive clocks for minimum delay
- Tolerance for extended signal interruptions
- Single +5V supply
- Supports processor directed rate selection driven by receive signal level and noise margin
- Continuously adaptive echo canceller and equalizers maintain excellent transmission performance with changing noise and line characteristics
- Typical noise-free transmission range:
 - 272 kbps
25.3 kft (7.7 km) on 24 AWG (0.5 mm) wire
17.1 kft (5.2 km) on 26 AWG (0.4 mm) wire
 - 784 kbps
19.8 kft (6.0 km) on 24 AWG (0.5 mm) wire
13.7 kft (4.2 km) on 26 AWG (0.4 mm) wire
 - 1,168 kbps
17.1 kft (5.2 km) on 24 AWG (0.5 mm) wire
12.3 kft (3.7 km) on 26 AWG (0.4 mm) wire

Figure 1. SK70725/SK70721 Block Diagram

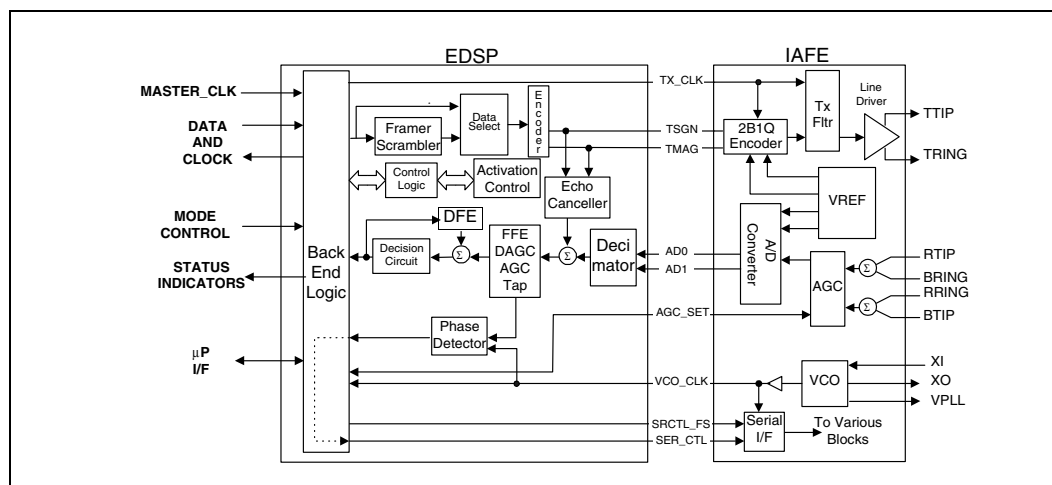
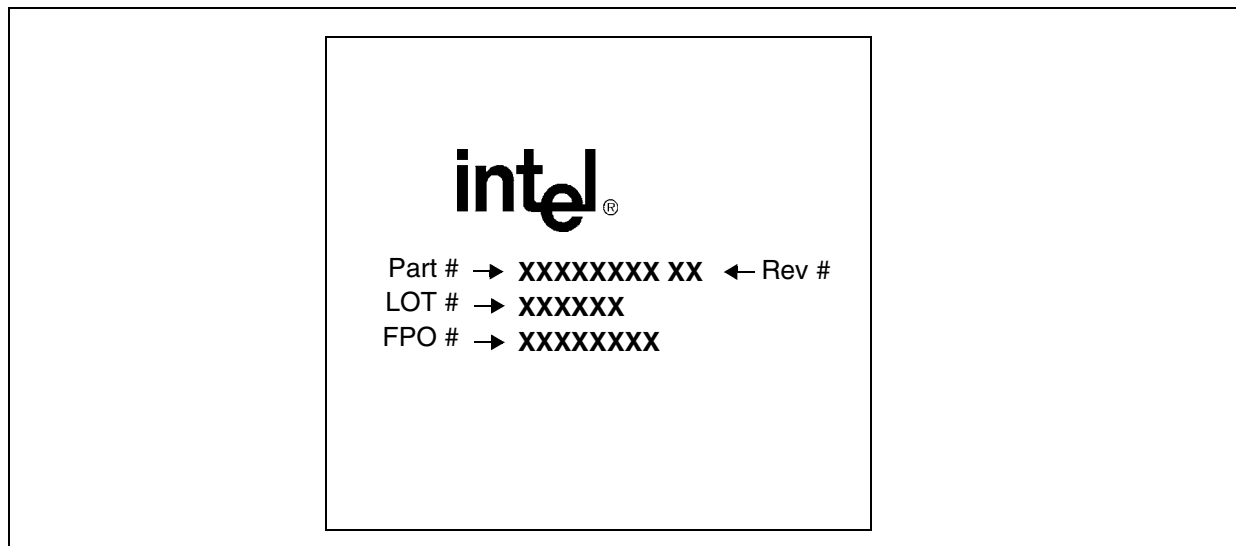


Figure 2. Package Markings



Package Topside Markings

| Marking | Definition |
|---------|---|
| Part # | Unique identifier for this product family. |
| Rev # | Identifies the particular silicon “stepping” — refer to the specification update for additional stepping information. |
| Lot # | Identifies the batch. |
| FPO # | Identifies the Finish Process Order. |

2.0 Pin Assignments and Signal Descriptions

The IAFE is packaged in a 28 pin PLCC. Figure 3 shows the IAFE pin locations. Table 1 lists signal descriptions for each pin, except pins 18 and 19, which are not connected.

The EDSP device is packaged in a 44 pin PLCC. Figure 4 shows EDSP pin designations. Table 2 lists signal descriptions for each pin.

Figure 3. IAFE Pin Locations

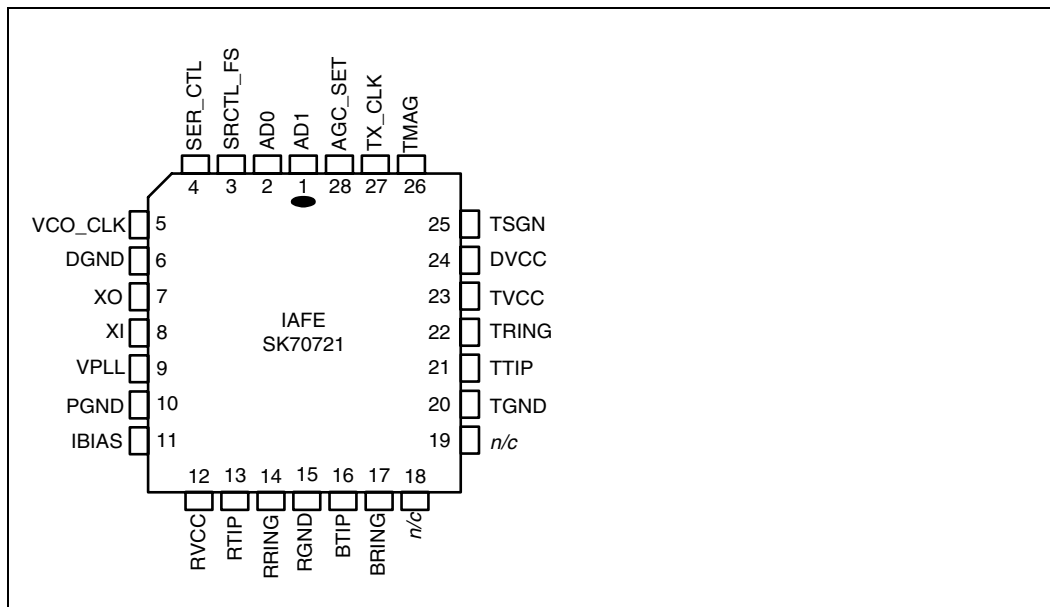


Table 1. IAFE Pin Assignments/Signal Descriptions

| Group | Pin # | Symbol | I/O ¹ | Description |
|-------|-------|--------|------------------|-----------------------------|
| Power | 12 | RVCC | S | Receive Power Supply. +5 V |
| | 23 | TVCC | S | Transmit Power Supply. +5 V |
| | 24 | DVCC | S | Digital Power Supply. +5 V |
| | 6 | DGND | S | DVCC Ground. |
| | 10 | PGND | S | PLL Ground. |
| | 15 | RGND | S | RVCC Ground. |
| | 20 | TGND | S | TVCC Ground. |

1. I/O column entries: DI = Digital Input; DO = Digital Output; DI/O = Digital Input/Output; AI = Analog Input; AO = Analog Output; AI/O = Analog Input/Output; S = Supply.

Table 1. IAFE Pin Assignments/Signal Descriptions (Continued)

| Group | Pin # | Symbol | I/O ¹ | Description |
|-----------------|-------|----------|------------------|---|
| MDSL I/F | 13 | RTIP | AI | Receive Tip and Ring. Receiver differential inputs. |
| | 14 | RRING | AI | |
| | 16 | BTIP | AI | Balance Tip and Ring. Echo canceller balance network differential inputs. |
| | 17 | BRING | AI | |
| | 21 | TTIP | AO | Transmit Tip and Ring. Balanced line driver outputs. |
| | 22 | TRING | AO | |
| PLL | 7 | XO | AO | Crystal Oscillator Input and Output. Connect a pullable crystal whose frequency is 32 times the bit rate between these two pins. Refer to the Applications Section for crystal specifications. |
| | 8 | XI | AI | |
| | 9 | VPLL | AO | PLL Control Voltage. Control signal for the VCXO. |
| EDSP I/F | 1 | AD1 | DO | A/D Converter Data Line 1. |
| | 2 | AD0 | DO | A/D Converter Data Line 0. |
| | 3 | SRCTL_FS | DI | Serial Control Frame Strobe Signal. Equal to Receive Baud Rate. |
| | 4 | SER_CTL | DI | Serial Control Input. |
| | 5 | VCO_CLK | DO | IAFE Reference Clock Output. Provides the receive timing reference for the EDSP. |
| | 25 | TSGN | DI | Transmit Quat Sign Bit. |
| | 26 | TMAG | DI | Transmit Quat Magnitude Bit. |
| | 27 | TX_CLK | DI | Transmit Symbol Clock. Four times the Bit-rate. |
| | 28 | AGC_SET | DO | AGC Adjust. |
| Analog Input | 11 | IBIAS | AI | Input Bias. This input sets internal bias currents. |

1. I/O column entries: DI = Digital Input; DO = Digital Output; DI/O = Digital Input/Output; AI = Analog Input; AO = Analog Output; AI/O = Analog Input/Output; S = Supply.

Figure 4. EDSP Pin Assignments

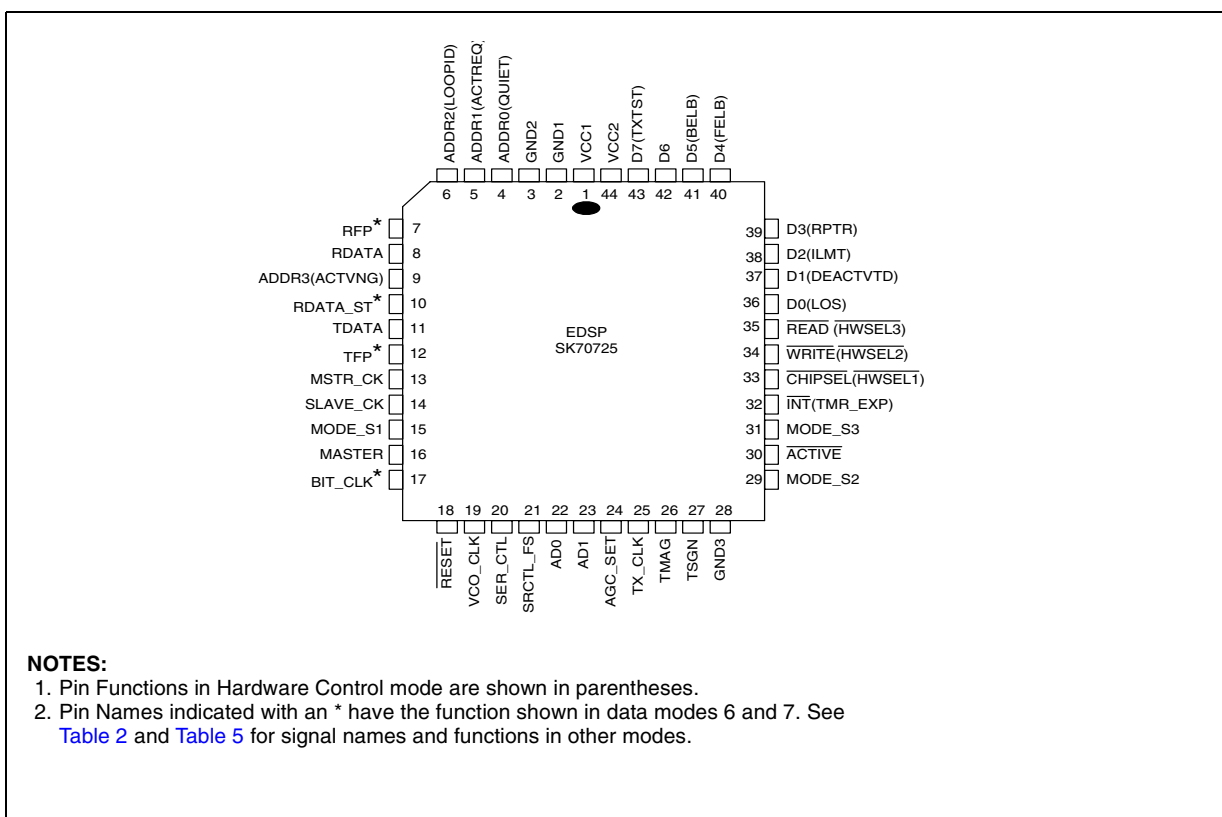


Table 2. EDSP Pin Assignments/Signal Descriptions

| Group | Pin # | Symbol | I/O ⁵ | Description |
|-------|-------|--------|------------------|---|
| Power | 1 | VCC1 | S | Logic Power Supply. +5V |
| | 44 | VCC2 | S | I/O Power Supply. +5 V. |
| | 2 | GND1 | S | Ground 1. |
| | 3 | GND2 | S | Ground 2. |
| | 28 | GND3 | S | Ground 3. |
| Misc | 18 | RESET | DI ¹ | Reset. Pulse low to initialize internal circuits. |

1. This input is a Schmidt Triggered circuit and includes an internal pull-up device.
 2. This input is a Schmidt Triggered circuit and includes an internal pull-down device.
 3. This input includes an internal pull-up device.
 4. This input includes an internal pull-down device.
 5. I/O column entries: DI = Digital Input; DO = Digital Output; DI/O = Digital Input/Output; AI = Analog Input; AO = Analog Output; AI/O = Analog Input/Output; S = Supply.

Table 2. EDSP Pin Assignments/Signal Descriptions (Continued)

| Group | Pin # | Symbol | I/O ⁵ | Description |
|--|-------|-----------|--------------------------------|--|
| Mode Select | 16 | MASTER | DI ³ | Master. When MASTER is high, the Data Pump operates in Master mode and is the link timing source. When MASTER is low, the Data Pump operates in Slave mode. The EDSP must be reset after the state of MASTER is changed. Pulled high internally. |
| | 15 | MODE_S1 | DI ³ | Mode Select 1. |
| | 29 | MODE_S2 | DI ³ | Mode Select 2. |
| | 31 | MODE_S3 | DI ³ | Mode Select 3. |
| Status Indication | 30 | ACTIVE | DO | Link Active Indicator. In operating modes 0, 1, 2, 4, and 5, $\overline{\text{ACTIVE}}$ is asserted whenever the EMDP completes the Activation process. In operating modes 6 and 7, ACTIVE is asserted on detection of two consecutive frame synchronization words. ACTIVE goes high if signal is lost or the frame synchronization word is not detected in six consecutive frames. |
| Clock and Control | 14 | SLAVE_CLK | DI ¹ | Slave Mode Reference Clock. Master clock for Slave Mode, at 16 times the line rate. This clock is used as a reference clock until the clock is recovered from the received signal. Tie high or low in Master Mode. |
| | 13 | MSTR_CLK | DI DO | MDSL Reference Clock. In Master Mode, this input clock, at 16 times the line rate, generates transmit and receive timing. In Slave Mode, this output is designed to drive the MSTR_CLK input of another Data Pump configured as a repeater. |
| IAFE I/F | 19 | VCO_CLK | DI | Receive Clock Input. A replica of the clock generated by the IAFE VCXO which is provided to the EDSP. It is 32 times the line rate. |
| | 20 | SER_CTL | DO | Serial Control Output. |
| | 21 | SRCTL_FS | DO | Serial control frame strobe signal. Equal to Receive Baud Rate and derived from VCO_CLK. |
| | 22 | AD0 | DI ⁴ | Analog to Digital Converter Data Line 0. |
| | 23 | AD1 | DI ⁴ | Analog to Digital Converter Data Line 1. |
| | 24 | AGC_SET | DI ⁴ | AGC Adjust Input. |
| | 25 | TX_CLK | DO | Transmit Symbol Clock. Four times the line rate. |
| | 26 | TMAG | DO | Transmit Quat Magnitude Bit. |
| 27 | TSGN | DO | Transmit Quat Sign Bit. | |
| <p>1. This input is a Schmidt Triggered circuit and includes an internal pull-up device. 2. This input is a Schmidt Triggered circuit and includes an internal pull-down device. 3. This input includes an internal pull-up device. 4. This input includes an internal pull-down device. 5. I/O column entries: DI = Digital Input; DO = Digital Output; DI/O = Digital Input/Output; AI = Analog Input; AO = Analog Output; AI/O = Analog Input/Output; S = Supply.</p> | | | | |

Table 2. EDSP Pin Assignments/Signal Descriptions (Continued)

| Group | Pin # | Symbol | I/O ⁵ | Description |
|---|-------|-----------|------------------|---|
| Data I/F (Transparent Modes) | 7 | UNUSED | DO | This pin is unused in Transparent Mode. |
| | 8 | RDATA | DO | Receive Data. When $\overline{\text{ACTIVE}}$ is low, the received data is output on RDATA. RDATA is high when $\overline{\text{ACTIVE}}$ is high. RDATA is aligned with the rising edge of the BIT_CLK. |
| | 10 | UNUSED | DO | This pin is unused in Transparent Mode. |
| | 11 | TDATA | DI ¹ | Transmit Data. When $\overline{\text{ACTIVE}}$ is low, the Data Pump samples TDATA on every falling edge of BIT_CLK. In Transparent mode the user may either send the data and allow the Data Pump to scramble the data or disable the scrambler and independently control the sign and magnitude bits. |
| | 12 | QUAT_CLK | DO | Quat Clock. One QUAT_CLK cycle occurs for each baud transmitted. The same clock is used for both transmit and receive data. |
| | 17 | BIT_CLK | DO | Bit Clock. One BIT_CLK cycle occurs for each data bit. The same clock is used for both transmit and receive data. |
| Data I/F (Independent Modes) | 7 | RQUAT_CLK | DO | Receive Quat Clock. Baud rate clock aligned with received data. |
| | 8 | RDATA | DO | Receive Data. When $\overline{\text{ACTIVE}}$ is low, the received data is output on RDATA. RDATA is high when $\overline{\text{ACTIVE}}$ is high. RDATA is aligned with the rising edge of the BIT_CLK. |
| | 10 | RBIT_CLK | DO | Receive Data Clock. One RBIT_CLK cycle occurs for each received data bit. |
| | 11 | TDATA | DI ¹ | Transmit Data. When $\overline{\text{ACTIVE}}$ is low, the Data Pump samples TDATA on every falling edge of TBIT_CLK. In Independent mode the user may either send the data and allow the Data Pump to scramble the data or disable the scrambler and independently control the sign and magnitude bits. |
| | 12 | TQUAT_CLK | DO | Transmit Quat Clock. Baud rate clock for alignment of transmit data. |
| | 17 | TBIT_CLK | DO | Transmit Data Clock. One TBIT_CLK cycle occurs for each data bit transmitted. |
| Data I/F (Framed Modes) | 7 | RFP | DO | Receive Frame Pulse. Low for one BIT_CLK cycle during the last bit of the current MDSL receive frame. RFP is valid only when $\overline{\text{ACTIVE}}$ is low. |
| | 8 | RDATA | DO | Receive Data Output. When $\overline{\text{ACTIVE}}$ is low, the receive data including frame sync and stuff bits are output on RDATA. RDATA is high when $\overline{\text{ACTIVE}}$ is high. RDATA is aligned with the falling edge of Bit-CLK. |
| | 10 | RDATA_ST | DO | Receive Data Strobe. RDATA_ST goes high during receipt of stuffing and framing bits. |
| | 11 | TDATA | DI ¹ | Transmit Data. When $\overline{\text{ACTIVE}}$ is low, the Data Pump samples TDATA at the rising edge of BIT_CLK, except during frame sync and stuff bits. |
| | 12 | TFP | DI ¹ | Transmit Frame Pulse. TFP must be low during the last BIT_CLK cycle of each transmitted MDSL frame. <i>If TFP is pulled low and is low again three BIT_CLK cycles later, RDATA, RFP, RDATA_ST, BIT_CLK, and $\overline{\text{ACTIVE}}$ will tristate until the TFP is set high again.</i> |
| | 17 | BIT_CLK | DO | Bit Rate Clock. This clock is used to transfer data into and out of the EMDP. |
| <ol style="list-style-type: none"> 1. This input is a Schmidt Triggered circuit and includes an internal pull-up device. 2. This input is a Schmidt Triggered circuit and includes an internal pull-down device. 3. This input includes an internal pull-up device. 4. This input includes an internal pull-down device. 5. I/O column entries: DI = Digital Input; DO = Digital Output; DI/O = Digital Input/Output; AI = Analog Input; AO = Analog Output; AI/O = Analog Input/Output; S = Supply. | | | | |

Table 2. EDSP Pin Assignments/Signal Descriptions (Continued)

| Group | Pin # | Symbol | I/O ⁵ | Description |
|---|-------|--------|--------------------|--|
| Hardware Interface Signal Description <i>(Hardware Control Mode only)</i> | 4 | QUIET | DI ² | Quiet Mode Enable. Set high to force the EDSP into the Deactivated state. Set low to enable activation requests (see ACTREQ). |
| | 5 | ACTREQ | DI ² | Activation Request (Master mode only - not used in Slave mode). When QUIET is low, a rising edge on this pin initiates activation. The signal is ignored after activation. In Slave mode this pin may be held low or left open. |
| | 6 | LOOPID | DI ² /O | Loop Number Control (Master mode) or Loop Number Indicator (Slave mode). This indicator is transmitted from the Master to the Slave and can be used for loop identification in systems that multiplex data onto two MDSL lines. In Slave mode LOOPID is valid only when in the ACTIVE state. LOOPID=0 identifies MDSL loop 1 in accordance with the ETSI standard. LOOPID must be set before the Master is activated. LOOPID may be originated in the EMDP only when operating in modes 6 or 7. |
| | 9 | ACTVNG | DO | Activating State Indication. ACTVNG is high when the EMDP is in the Activating state. |
| 1. This input is a Schmidt Triggered circuit and includes an internal pull-up device. 2. This input is a Schmidt Triggered circuit and includes an internal pull-down device. 3. This input includes an internal pull-up device. 4. This input includes an internal pull-down device. 5. I/O column entries: DI = Digital Input; DO = Digital Output; DI/O = Digital Input/Output; AI = Analog Input; AO = Analog Output; AI/O = Analog Input/Output; S = Supply. | | | | |

Table 2. EDSP Pin Assignments/Signal Descriptions (Continued)

| Group | Pin # | Symbol | I/O ⁵ | Description |
|---|-------|-----------------|--|--|
| Hardware Interface Signal Description <i>(Hardware Control Mode only)</i> | 32 | TMR_EXP | DO | Timer Expiration Indicator. TMR_EXP goes high when the Master Activation Timer (MAT) expires. |
| | 33 | HWSEL1 | DI ² | HW Select1. HW Select2. HW Select3. Each of these three pins must be low to enable Hardware Control Mode. When any of them is high, the EDSP reverts immediately to Software Control Mode. |
| | 34 | HWSEL2 | DI ² | |
| | 35 | HWSEL3 | DI ² | |
| | 36 | LOS | DO | Loss of Signal Indicator. LOS goes high when the EMDP is in the Inactive state. |
| | 37 | DEACTVTD | DO | Deactivation Indicator. DEACTVTD is high when the Data Pump is in the Deactivated state. |
| | 38 | ILMT | DI ¹ | Insertion Loss Measurement Test. Set high to transmit a scrambled all 1's signal. In operating mode 6 and 7 the signals transmitted are framed with valid sync word, whereas in the rest of the operating modes signals transmitted are unframed without any sync word. If the loop is connected to a Slave Data Pump then it may begin activating. Must be asserted only from the Inactive state of the Data Pump. |
| | 39 | RPTR | DI ¹ | Repeater Mode Enable. (operating mode 6 & 7 only). When in Master mode, setting RPTR high configures the Data Pump to derive timing from the MSTR_CLK output of an adjacent device for transparent repeater applications. The BIT_CLK output phase is aligned to the TFP input pulse. RPTR is ignored in Slave mode. |
| | 40 | FELB | DI ¹ | Front-End Loopback (Master only). In the Inactive state, set high to cause the IAFE to loopback. The RTIP/RRING inputs are disconnected and only the signals on the BTIP/BRING inputs are processed. |
| | 41 | BELB | DI ¹ | Back-End Loopback. Set BELB high in Active1 or Active2 state to force an internal loopback with RDATA connected to TDATA and RFP connected to TFP. |
| 43 | TXTST | DI ¹ | Transmit Test. Set high to enable isolated transmit pulse generation. TDATA controls the sign and TFP controls the magnitude of the transmitted pulses according to the 2B1Q encoding rules described in Table 3. The TXTST function is available only in framed modes 6 and 7. In framed mode 6 the pulses are transmitted every 7006/7010 BIT_CLK cycles, corresponding to the ETSI framing sequence. In framed mode 7 the pulses are transmitted every 4702/4706 BIT_CLK cycles. TXTST is available only when the Data Pumps are Inactive. | |
| 1. This input is a Schmidt Triggered circuit and includes an internal pull-up device. 2. This input is a Schmidt Triggered circuit and includes an internal pull-down device. 3. This input includes an internal pull-up device. 4. This input includes an internal pull-down device. 5. I/O column entries: DI = Digital Input; DO = Digital Output; DI/O = Digital Input/Output; AI = Analog Input; AO = Analog Output; AI/O = Analog Input/Output; S = Supply. | | | | |

Table 2. EDSP Pin Assignments/Signal Descriptions (Continued)

| Group | Pin # | Symbol | I/O ⁵ | Description | |
|--|-------|-----------------------------|--------------------|---|---|
| Processor Interface (Processor Control Mode) | 4 | ADDR0 | DI ² | Address bit 0. | Four-bit address, selects read or write register. |
| | 5 | ADDR1 | DI ² | Address bit 1. | |
| | 6 | ADDR2 | DI ² | Address bit 2. | |
| | 9 | ADDR3 | DI ² | Address bit 3. | |
| | 32 | $\overline{\text{INT}}$ | DO | Interrupt Output. Open drain output. Requires an external 10 k Ω pull up resistor. Goes low on interrupt. | |
| | 33 | $\overline{\text{CHIPSEL}}$ | DI ² | Chip Select. Pull low to read or write to registers. | |
| | 34 | $\overline{\text{WRITE}}$ | DI ² | Write. Pull low to write to registers. | |
| | 35 | $\overline{\text{READ}}$ | DI ² | Read. Pull low to read from registers. | |
| | 36 | D0 | DI ¹ /O | Data bit 0. | Eight-bit, parallel data bus. |
| | 37 | D1 | DI ¹ /O | Data bit 1. | |
| 38 | D2 | DI ¹ /O | Data bit 2. | | |
| 39 | D3 | DI ¹ /O | Data bit 3. | | |
| 40 | D4 | DI ¹ /O | Data bit 4. | | |
| 41 | D5 | DI ¹ /O | Data bit 5. | | |
| 42 | D6 | DI ¹ /O | Data bit 6. | | |
| 43 | D7 | DI ¹ /O | Data bit 7. | | |
| <p>1. This input is a Schmidt Triggered circuit and includes an internal pull-up device. 2. This input is a Schmidt Triggered circuit and includes an internal pull-down device. 3. This input includes an internal pull-up device. 4. This input includes an internal pull-down device. 5. I/O column entries: DI = Digital Input; DO = Digital Output; DI/O = Digital Input/Output; AI = Analog Input; AO = Analog Output; AI/O = Analog Input/Output; S = Supply.</p> | | | | | |

3.0 Functional Description

The Enhanced MDSL Data Pump (EMDP) chip set provides synchronous, full duplex data transport on a single twisted wire pair using 2B1Q line coding and echo cancellation. The EMDP provides symmetrical data transport at any line rate from 272 to 1,168 kbps. This document specifies performance at a few typical line rates, but all line rates between 272 and 1168 kbps are allowed. The EMDP includes an internal state machine and can activate and operate without a processor. The EMDP can transport data which is synchronous, asynchronous, or near-synchronous (pleisiochronous) to the line rate of the Data Pump. Several new features have been added in the EDSP chip as compared to previous MDSP and HDX - SK70720, SK70706, SK70708, and SK70707. This chapter provides component description, Data Pump operation, and special features.

3.1 Component Description

The EMDP chip set consists of the IAFE chip and EDSP chip. The following paragraphs describe the chip set components with reference to internal functions and their interfaces.

3.1.1 Integrated Analog Front End

The Integrated Analog Front End (IAFE) incorporates the following analog functions:

- transmit driver
- transmit and receive filters
- Phase-Locked Loop (PLL)
- analog-to-digital converter

The IAFE provides the complete analog front end for the EMDP. It includes transmit pulse shaping, line driver, receive A/D converter, and the VCO portion of the receiver PLL function. Transmit and receive control signals are exchanged between IAFE and EDSP through a serial port. The IAFE line interface uses a single twisted pair line for both transmit and receive.

[Table 1](#) lists the IAFE pin descriptions. Refer to Test Specifications for IAFE electrical and timing specifications.

3.1.1.1 IAFE Transmitter

The IAFE transmitter performs 2B1Q coding, pulse shaping and driving functions. It generates a shaped output pulse at the baud rate and has one of four levels determined by TMAG and TSGN. Refer to Test Specifications for frequency and voltage of the pulse templates. Following is a description of 2B1Q line coding.

3.1.1.2 2B1Q Line Code

The 2B1Q line code utilized in the EMDP is same as that selected by ANSI and ETSI as the preferred line code for ISDN BRA and HDSL applications. This line code provides good performance at minimum complexity. The line code utilizes pulse amplitude modulation to encode two data bits (2B) into a single amplitude modulated pulse. The pulse amplitude is restricted to one of four (quaternary) levels. This pulse is familiarly known as a “quat” and gives the second part of

the line code its name (1Q). Table 3 shows the encoding scheme used in the 2B1Q system to assign pulse amplitudes to bit pairs. Note that one bit of the pair is used to set the sign (the sign bit), while the second bit (the magnitude bit) controls the magnitude of the pulse. The pulse shape is independent of sign and magnitude and is described in Figure 28.

Table 3. 2B1Q Pulse Coding Rule

| Sign Bit | Magnitude Bit | Output Symbol (quat) |
|----------|---------------|----------------------|
| 1 | 0 | +3 |
| 1 | 1 | +1 |
| 0 | 1 | -1 |
| 0 | 0 | -3 |

3.1.1.3 IAFE Receiver

The IAFE receiver is a sophisticated sigma-delta A/D converter. It subtracts the differential signal at the balance input (BTIP/BRING) from the received signal (RTIP/RRING). The output is generated in two stages. The first stage of A/D converter generates AD0 at 32 times the symbol rate. The second stage of the A/D converter samples the noise generated by the first stage and provides the AD1 bit stream at 32 times the symbol rate.

Receiver gain is controlled by the EDSP via the AGC0-2 bits in the Serial Control (SER_CTL) stream. The AGC_SET output from the IAFE is normally low. It goes high when the signal level in the sigma-delta A/D converter approaches its clipping level thus signaling the EDSP to lower the gain.

The VCO is part of a PLL locked to the received data. The VCO frequency is varied by changing the capacitive load of an external crystal with the help of Tuning Diodes that are biased by the VPLL output. The VPLL output is, in turn, controlled by the EDSP through PLL bits of SER_CTL.

3.1.2 Enhanced MDSL Digital Signal Processor

The Enhanced MDSL Digital Signal Processor (EDSP) incorporates the following digital functions:

- activation/start-up control, mode selection and the microprocessor interface
- adaptive Echo-Cancelling (EC)
- adaptive Decision Feedback Equalization (DFE), and Feed Forward Equalizer (FFE) using the receive quat stream and the internal error signal
- fixed and adaptive digital-filtering functions
- bit-rate transmit and receive signal-processing including optional scrambling and descrambling

A simple, parallel 8-bit microprocessor interface on the EDSP provides high-speed access to status, control and filter coefficient words. The microprocessor interface provides bit flags for signal presence, synchronization, activation completion. Single-byte words representing receive signal level and the noise margin of the transceiver are also available on the microprocessor interface. One control bit allows the user to start the Data Pump activation sequence. The EDSP controls the complete activation/start-up sequence.

Table 2 lists the EDSP pin descriptions. Refer to Test Specifications for EDSP electrical and timing specifications.

3.1.2.1 Scrambling

The transmitted 2B1Q symbol must change value frequently to maintain appropriate power spectral density, to limit low frequency content of the transmitted signal and to ensure that adequate signal transitions are available for the receiver to recover clock phase information from the received signal. A standardized mechanism has been adopted to ensure that adequate symbol changes take place. This process is called scrambling, and generates a unique, self-synchronizing pseudorandom data stream. The EMDP includes a data scrambler which complies with industry standard scrambling and unscrambling rules. A 23rd-order polynomial is used to scramble and descramble the data. The scrambler and descrambler polynomial used in the direction of Master to Slave is $X^{-23}+X^{-5}+1$. The scrambler and descrambler polynomial used in the direction of Slave to Master is $X^{-23}+X^{-18}+1$. Here '+' symbol represents 'Exclusive OR' operation. For further details of scrambler and descrambler refer to the following standards:

- ITU G.991.1
- ANSI Committee T1E1.4-TR28 (T1E1.4/96-006)
- ETSI ETR-152

In some applications it may be necessary to bypass the scrambler. An example would be a framing protocol which requires transmission of symbols with alternating +3 and -3 amplitudes. Direct access to the 2B1Q encoder/decoder or the 2B1Q pulse generator is provided in some EMDP operating modes (as described in subsequent sections) in which both bit clocks and quat clocks are provided. Aligning the input data with both these clocks allows the desired quat to be transmitted. When using these operating modes, the user application must ensure that the symbols transmitted have been scrambled in a manner equivalent to that specified in the reference documents.

3.1.3 EDSP/IAFE Interface

TSGN, TMAG, and TX_CLK provide data interface from EDSP to IAFE. VCO_CLK, AD0 and AD1 provide data interface from IAFE to EDSP. SER_CTL, SRCTL_FS, and AGC_SET provide serial control interface between IAFE and EDSP.

Transmit data, represented by TSGN and TMAG, is clocked from the EDSP using the falling edge of TX_CLK, the transmit clock. The IAFE uses the rising edge of TX_CLK to sample TSGN and TMAG. TX_CLK is eight times the baud rate (equal to 4xBIT_CLK. e.g. for line rate of 784 kbps, TX_CLK is 3.136 MHz). TSGN and TMAG change state at the baud rate, or every 8 cycles of TX_CLK.

The IAFE provides the VCO_CLK to the EDSP which is generated by the IAFE's internal VCO. The A/D converter provides AD0 and AD1 outputs and coincides with the rising edge of VCO_CLK/2. IAFE and EDSP both generate an internal VCO_CLK/2 from the same VCO_CLK. The EDSP samples AD0 and AD1 with the falling edge of its internal VCO_CLK/2.

The serial control stream SER_CTL is provided by EDSP at the rate of VCO_CLK/2 and coincides with its falling edge. A serial control frame strobe signal is also provided by the EDSP with its edge transition occurring at every 16th of the VCO_CLK/2 period and coincides with the falling edge of the VCO_CLK/2. The serial control stream SER_CTL and the framing signal SRCTL_FS is sampled inside the IAFE at the rising edge of VCO_CLK/2.

Figure 5 shows relative timing for the EDSP/IAFE interface.

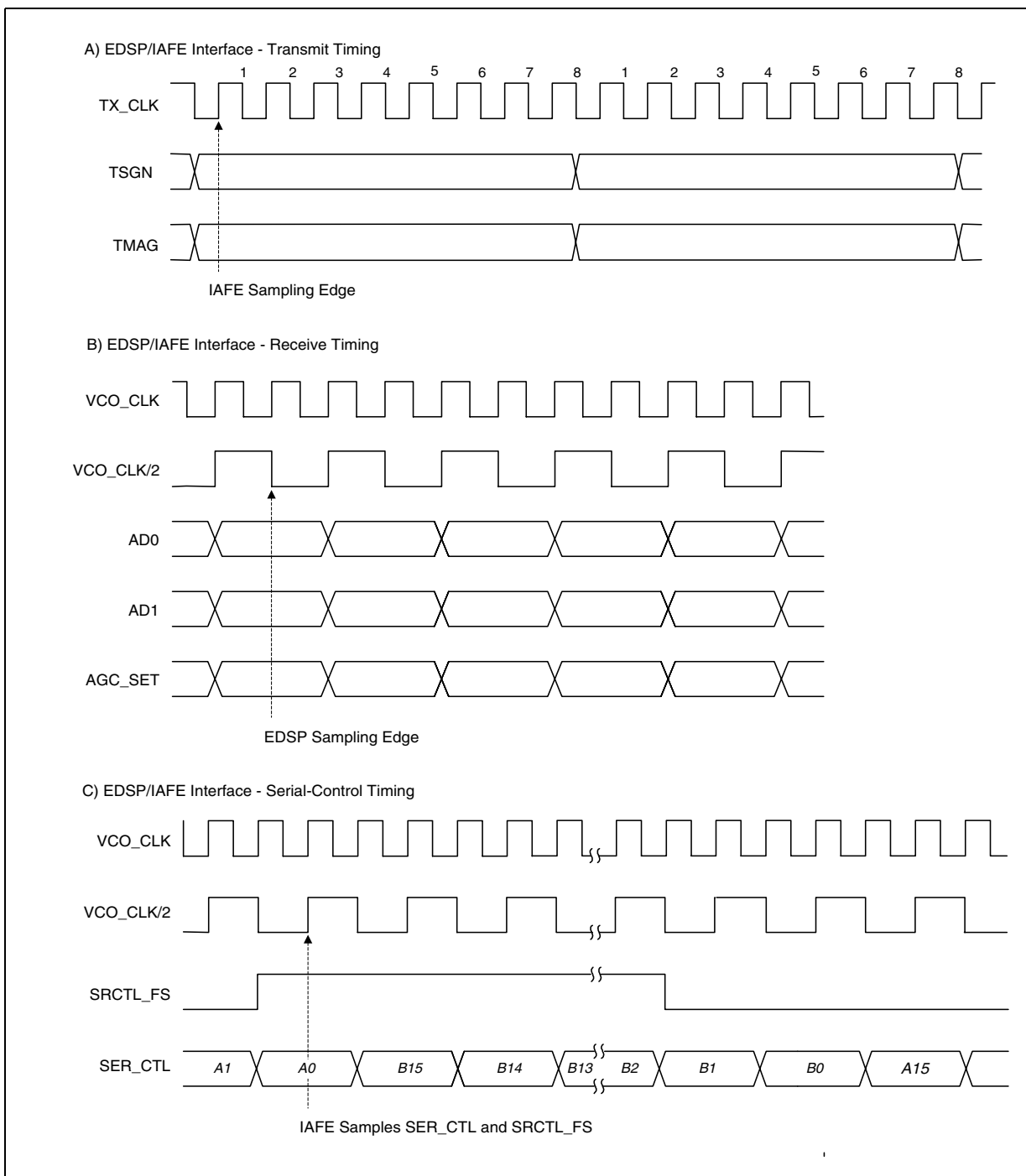
3.1.3.1 Serial Control Port

The EDSP continually writes to the serial control port via SER_CTL signal stream. This serial control stream consists of two 16-bit words as shown in Table 4. The data flows from the EDSP to the IAFE at a rate of VCO_CLK/2. TXOFF, TXDIS, and TXTST control the transmit modes. AGC0-AGC2 bits control the Receiver gain. PLL0-PLL7 bits control the VPLL output which is used to control the frequency of VCO. Refer to the Test Specifications section for serial port timing relationships and electrical parameters.

Table 4. EDSP/IAFE Serial Control Port Word Bit Definitions

| Bit | Word A (on SER_CTL) | Word B (on SER_CTL) |
|-----|---------------------|---------------------|
| 15 | INIT | n/a |
| 14 | n/a | n/a |
| 13 | n/a | n/a |
| 12 | TXOFF | n/a |
| 11 | TXDIS | n/a |
| 10 | TXTST | n/a |
| 9 | AGC2 | n/a |
| 8 | AGC1 | n/a |
| 7 | AGC0 | PLL7 |
| 6 | FELB | PLL6 |
| 5 | n/a | PLL5 |
| 4 | n/a | PLL4 |
| 3 | n/a | PLL3 |
| 2 | n/a | PLL2 |
| 1 | n/a | PLL1 |
| 0 | n/a | PLL0 |

Figure 5. EDSP/IAFE Interface – Relative Timing



3.1.4 Line Interface

The Data Pump line interface consists of three differential pairs. The transmit outputs TTIP and TRING, receive inputs RTIP and RRING, and the balance inputs BTIP and BRING, all connect through a common transformer to a single twisted-pair line (Figure 26 and Figure 27). The transmit outputs require resistors in series with the transformer. A passive pre-filter is required for the receive inputs. The balance inputs feed the transmit signals back to the Data Pump providing passive echo cancellation. Protection circuitry could be used if required. Refer to application note AN79 for further details of line protection circuits.

3.1.5 Data Interface

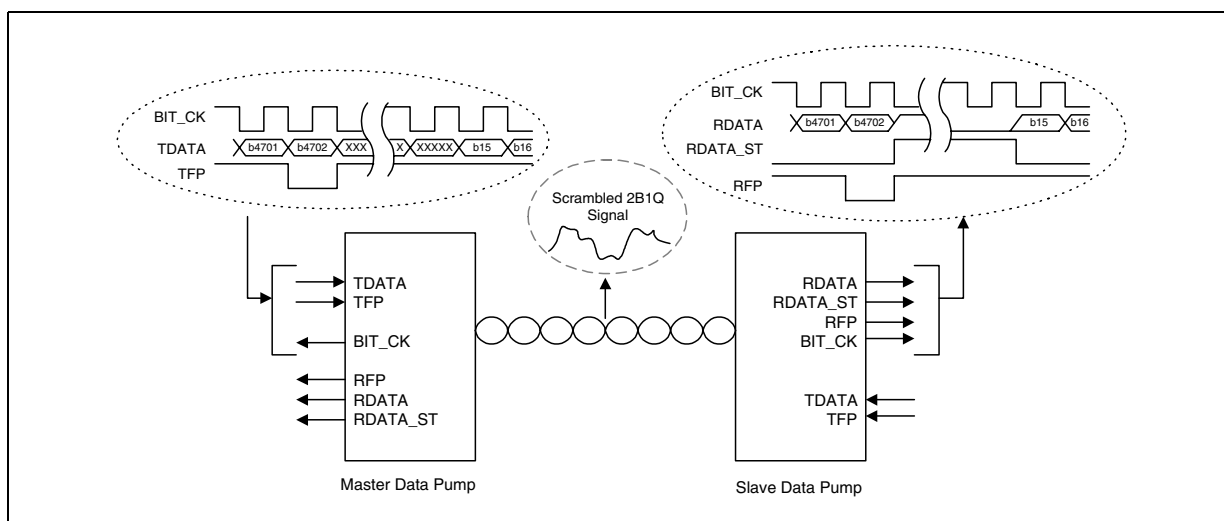
This section describes the EMDP data interface which provides three distinct operating modes: Transparent, Independent and Framed. The operating modes can be configured using MODE_S3, MODE_S2, and MODE_S1 pins of the EDSP. Table 5 lists various operating modes along with their key features.

Figure 6 illustrates generic data transport using the MDSL system. Data is clocked into a transmitter, encoded as a 2B1Q signal, sent over the line, and clocked out of the receiver of the far-end transceiver. Data is transmitted simultaneously in both directions.

Table 5. EMDP Data Mode Selection

| Mode Select Pin (MODE_Sn) | | | Scrambler Enabled while Active | Sign bit First | Independent Transmit and Receive Timing | Framed | Frame Length (bits) | Mode | |
|---------------------------|---|---|--------------------------------|----------------|---|--------|---------------------|-----------------------|---|
| 3 | 2 | 1 | | | | | | Name | # |
| 0 | 0 | 0 | N | Y | N | N | N/A | Transparent Operation | 0 |
| 0 | 0 | 1 | N | N | N | N | N/A | Transparent Operation | 1 |
| 0 | 1 | 0 | Y | N/A | N | N | N/A | Transparent Operation | 2 |
| 0 | 1 | 1 | N/A | N/A | N/A | N/A | N/A | Reserved | 3 |
| 1 | 0 | 0 | N | Y | Y | N | N/A | Independent | 4 |
| 1 | 0 | 1 | Y | N/A | Y | N | N/A | Independent | 5 |
| 1 | 1 | 0 | Y | N/A | N | Y | 7006/7010 | Framed ETSI | 6 |
| 1 | 1 | 1 | Y | N/A | N | Y | 4702/4706 | Framed ANSI | 7 |

Figure 6. MDSL System Data Transport (Framed Mode Shown)



3.1.5.1 Transparent Mode

Transparent operating modes are used for the transport of asynchronous data or fully synchronous data (which may have been framed by an external device). All Transparent modes have common transmit and receive clocks and provide an optional internal scrambler/descrambler. If the scrambler is bypassed, the application must align the data appropriately to ensure that the correct 2B1Q symbol is transmitted. Data may be input with either the sign or magnitude bit first.

The appropriate selection of mode enables operation compatible with other vendor's framers. In this mode the use of a single clock for transmit and receive data results in small, but uncontrolled, data delays.

3.1.5.2 Independent Mode

In Independent timing mode the EMDP provides separate transmit and receive clocks at the data interface. Both clocks are at the same rate, but the clock phases are independent. In this mode, minimum delay of the data is assured. In addition, delay is constant for subsequent activations on the same loop. Constant delay is necessary for applications such as alignment of transmitted signals from radio base stations where data delay must be precisely measured and controlled. An optional internal scrambler is available in Independent mode.

3.1.5.3 Framed Mode

Framed mode is provided for compatibility with previous MDSPs and HDXs - SK70720, SK70706, SK70707, and SK70708. Framed mode is useful for applications in which pleisochronous data must be transmitted while maintaining accurate timing information.

The EMDP can embed a 14-bit Frame Synchronization Word (FSW) and optional stuffing bits in the data stream that divides the data into MDSL frames with average length of 4704 or 7008 bits as shown in Figure 7. The Framed mode, with associated stuffing, provides two primary functions:

- Transports pleisochronous data, where data rate is not precisely related to the line rate and the data rate in each direction of transmission is different while retaining frame alignment.

- Provides an MDSL frame position indicator that may be used in time-division-multiplexed systems to relate time slots in the MDSL frame to those in an application frame (See Note above).

Note: The EMDP frame sync word format and frame length are fully compatible with those defined for 784 and 1,168 kbps HDSL applications in the ITU G.991.1, ANSI Committee T1E1.4-TR28 (T1E1.4/96-006), and ETSI ETR-152 standards. The EMDP is fully transparent to all data except the frame sync word. It does not provide other framing functions defined for HDSL. Each frame contains either a 4,688 or 6,992 payload data bits. There are no restrictions on the data patterns which can be transmitted in the payload data. The application synchronizes data to the EMDP framing by generating a pulse on the transmit frame pulse input, TFP. The transmitter sends the FSW in the first 14 bits following the rising edge of TFP. Application data is not transmitted or buffered during the transmission of the FSW. The EMDP receiver detects the incoming FSW and provides a blanking signal (RDATA_ST) at its output to indicate that payload data is not present during the FSW. The RDATA_ST signal can also be used to gate the receiver clock signal (BIT_CLK) so that clock transitions are present only when payload data is available.

3.1.5.4 Bit Stuffing

Some applications require that data be transported at a rate which is externally controlled and varies slightly from a nominal payload data rate. The EMDP framed mode allows the application to modify the payload data rate slightly without changing the line rate so that each of the payload bits contains a valid data bit. To operate in this mode, the EMDP uses a mechanism known as bit stuffing. By properly choosing the line rate of the MDSL system and using the stuffing mechanism, the application can transmit data at slightly different rates in both directions simultaneously while using a common, fixed MDSL line rate.

When stuffing is employed, the application inserts an additional four bits not carrying payload data in the data stream between the end of the 4,688 (or 6,992) payload bits and the beginning of the next FSW as shown in [Figure 8](#). This is accomplished by delaying the TFP pulse by four BIT_CLK periods from its normal position. The EMDP receiver detects this four bit change in the location of the FSW and adjusts its payload data strobe indicator (RDATA_ST) to indicate that the four additional bits do not contain payload data and should be suppressed along with the FSW which follows them. This mode of operation is frequently used in the transport of T1 or E1 signals where the upstream and downstream data rates are not the same and are not exactly at the nominal rate.

Figure 7. MDSL Frame (4,702 bits per frame example)

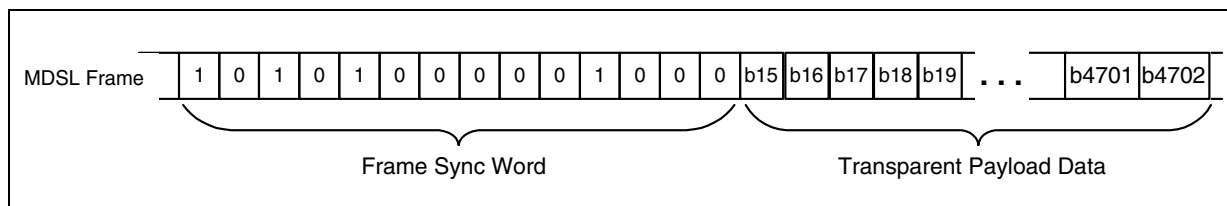


Figure 8. Framing with and without stuff bits(4,702 bits per frame example)

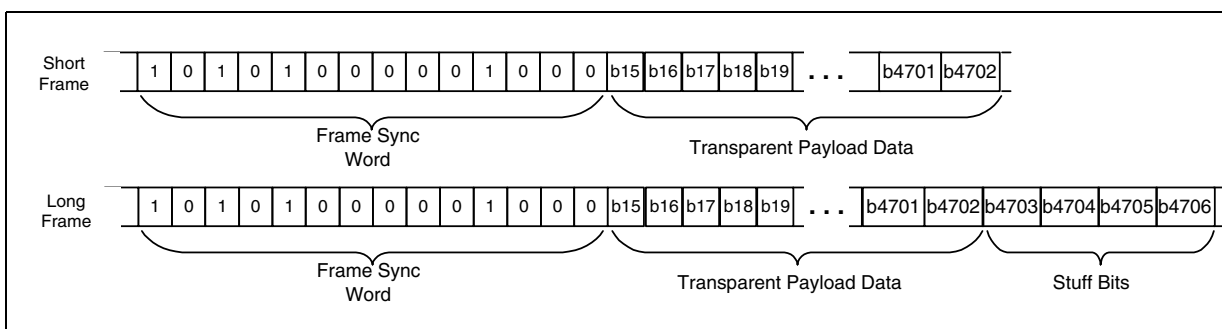


Table 6. Min, Max and alternate bit stuffed frame timing and Payload data rate

| Line Rate (kbps) | 4702 bit Frame | | 4706 bit Frame | | Alternate bit stuffed frame | |
|------------------|--------------------|--------------------------|--------------------|--------------------------|-----------------------------|--------------------------|
| | Frame Length (ms) | Payload data rate (kbps) | Frame Length (ms) | Payload data rate (kbps) | Frame Length (ms) | Payload data rate (kbps) |
| 272 | 17.287 | 271.190 | 17.302 | 270.96 | 17.294 | 271.075 |
| 400 | 11.755 | 398.809 | 11.765 | 398.47 | 11.76 | 398.64 |
| 528 | 8.905 | 526.428 | 8.913 | 525.981 | 8.909 | 526.204 |
| 784 | 5.997 | 781.666 | 6.003 | 781.001 | 6.000 | 781.333 |
| 1,168 | 5.998 ¹ | 1,165.666 ¹ | 6.002 ² | 1,165.001 ² | 6.000 | 1,165.333 |

1. 7,006 bit Frame.
2. 7,010 bit Frame.

Table 6 provides the minimum and maximum data rates and frame times for several line rates. Although the EMDP can only transport data at either of these two instantaneous rates, it can support any average data rate between them by adjusting the ratio of frames with stuffing to those without stuffing. When alternate frame stuffing is used the EMDP will transport data at the nominal rate shown in Table 6. If necessary, a PLL tracking the Receive Frame Pulse (RFP) output or a gapped clock produced by combining RDATA_ST and BIT_CLK can be used to create a continuous (i.e., not gapped) clock whose frequency is at the average receive data rate. The PLL characteristics depend on the jitter and wander requirements for the output clock.

3.1.6 EDSP Registers

EDSP provides access to various internal registers via microprocessor interface. Ten write registers and seven read registers are available in the EDSP. Several new registers are added in comparison to previous MDSP chips enabling a more programmable and powerful EDSP. Table 7 lists registers.

Table 7. Register Summary

| ADDR | Write Registers | | | Read Registers | | |
|-----------|-----------------|---|------------|----------------|--|----------|
| A3-A0 | WR# | Name | Table | RD# | Name | Table |
| 0000 | WR0 | Main Control | Table 8 | RD0 | Main Status | Table 15 |
| 0001 | | <i>reserved</i> | <i>n/a</i> | RD1 | AGC Tap Value | Table 16 |
| 0010 | WR2 | Interrupt Mask and Line Reversal | Table 9 | RD2 | Noise Margin | Table 17 |
| 0011 | WR3 | Coefficient Select and Activation Timer | Table 11 | RD3 | Coefficient Read Register (lower byte) | Table 18 |
| 0100 | | <i>reserved</i> | | RD4 | Coefficient Read Register (upper byte) | Table 18 |
| 0101 | | <i>reserved</i> | | RD5 | Activation Status | Table 19 |
| 0110 | | <i>reserved</i> | | RD6 | Receiver AGC and FFE Step Gain | Table 20 |
| 0111-1000 | | <i>reserved</i> | | | <i>reserved</i> | |
| 1001 | WR9 | Receiver Gain Control | Table 12 | | <i>reserved</i> | |
| 1010 | WR10 | SMT1 | Table 14 | | <i>reserved</i> | |
| 1011 | WR11 | SMT2 | Table 14 | | <i>reserved</i> | |
| 1100 | WR12 | SMT3 | Table 14 | | <i>reserved</i> | |
| 1101 | WR13 | SMT4 | Table 14 | | <i>reserved</i> | |
| 1110 | WR14 | SMT5 | Table 14 | | <i>reserved</i> | |
| 1111 | WR15 | Micro-interruption Timer | Table 13 | | <i>reserved</i> | |

The following paragraphs describe these registers in more detail.

Some of the registers contain *reserved* bits. Software must deal correctly with reserved fields. During reads, software must use appropriate masks to extract the defined bits and not rely on reserved bits being any particular value. In some cases, software must set reserved bits to a particular value. If necessary, the required value is specified in the individual bit descriptions.

After assertion of the $\overline{\text{RESET}}$ signal, the Data Pump initializes its registers to the default values.

3.1.6.1 WR0—Main Control Register

Address: A<3:0> = 0000

Default: 00h

Attributes: Write Only.

Main Control Register bits serve the same purpose in Software Mode as the like-named individual pins in Hardware Mode. Table 8 lists bit assignments for the WR0 register.

Table 8. Main Control Register (WR0)

| Bit | Description |
|-----|---|
| B7 | Transmit Test Pulse Enable (TXTST). Set TXTST to 1 to transmit isolated pulses. TDATA controls the sign and TFP controls the magnitude of the transmitted pulses according to the 2B1Q encoding rules described in Table 3. The TXTST function is available only in framed modes 6 and 7. In framed mode 6 the pulses are transmitted every 7008 BIT_CLK cycles, corresponding to the ETSI framing sequence. In framed mode 7 the pulses are transmitted every 4704 BIT_CLK cycles. TXTST is available only in the Inactive state of the Data Pump. |
| B6 | Back-End Loop Back (BELB). In Active state, set BELB to 1 to enable an internal back-end loopback. RDATA and RFP outputs are used in place of the TDATA and TFP inputs, respectively. TDATA and TFP signals from the external interface are ignored. |
| B5 | Front End Loop Back (FELB). In the Master mode, with the Data Pump in Inactive state, set FELB to 1 to enable an IAFE front-end loopback. Upon setting ACTREQ bit to high, the Data Pump will begin activation using its own signals received at the BTIP and BRING inputs. Proper operation in this mode is dependent on the configuration of external line interface circuit components. |
| B4 | Repeater Mode (RPTR). In Master mode, set RPTR bit to 1 to program the Data Pump to operate in repeater mode. This ensures that the phase of BIT_CLK is aligned with the TFP pulse. Note that to configure two Data Pumps to operate as a repeater, MASTER_CLK output from Slave Data Pump is connected to MASTER_CLK input of adjacent Master Data Pump. RFP of the Slave Data Pump is connected to TFP input of Master Data Pump. In Slave mode, RPTR bit has no function and can be set to either 0 or 1. This feature is available only in operating mode 6 and 7. |
| B3 | Loop Number (LOOPID). LOOPID is set at the Master end of the loop and selects the frame sync word format to encode the loop number. Set LOOPID=0 for loop number 1 to transmit sync word quats as +3,+3, +3,-3,-3,+3,-3 in accordance with ANSI and ETSI standards. Set LOOPID=1 for loop number 2 to transmit time reversed sync word quats as -3,+3,-3,-3,+3,+3,+3 in accordance with ANSI standard. LOOPID must be set before the Master is activated. This control bit is functional only at the Master Data Pump. The Slave sets its transmitted LOOPID equal to the received LOOPID. In Slave mode this bit has no function and may be set to 0 or 1. LOOPID is provided only when operating in framed modes 6 or 7. |
| B2 | Insertion Loss Measurement Test (ILMT). Set ILMT to 1 to transmit a scrambled all ones test pattern. In operating mode 6 and 7 the signals transmitted are framed with valid sync word, whereas in the rest of the operating modes signals transmitted are unframed without any sync word. If the loop is connected to a Slave Data Pump then it may begin activating. |
| B1 | Quiet Mode (QUIET). Set QUIET to 1 to force the Data Pump into the Deactivated state thus disabling the transmitter. When this bit goes from high to low, the Master Data Pump will remain in the Inactive state. Neither Data Pump can begin the activation process when QUIET is asserted. |
| B0 | Activation Request (ACTREQ). In the Master mode when the Data Pump is in the Inactive state and Quiet is set to 0, set ACTREQ to 1 to initiate an activation sequence. If an activation attempt fails, another activation attempt will begin immediately after the expiration of the Master Activation Timer unless ACTREQ has been set to 0. In Slave mode, this bit has no function and should be set to 0. |

3.1.6.2 WR2—Interrupt Mask and TIP/RING Reversal Register

Address: A<3:0> = 0010

Default: 00h

Attributes: Write Only.

Table 9 shows the interrupt masks and TIP/RING reversal control provided in register WR2.

Table 9. Interrupt Mask and Line Reversal Control Register (WR2)

| Bit | Description |
|-----|---|
| B7 | TRREV. TIP/RING reversal control. Set to 1 to invert the polarity of the received signal. |
| B6 | Reserved. Must be set to 0. |
| B5 | LOSMSK. Interrupt mask for the LOS condition. 1=Masked (Interrupt Disabled). |
| B4 | DEACTMSK. Interrupt mask for the DEACTVTD condition 1=Masked (Interrupt Disabled). |
| B3 | ACTBMSK. Interrupt mask for the $\overline{\text{ACTIVE}}$ condition. 1=Masked (Interrupt Disabled). |
| B2 | ACTMSK. Interrupt mask for the TMR_EXP condition and the ACTIVE condition. 1=Masked (Interrupt Disabled). |
| B1 | Reserved. Must be set to 0. |
| B0 | Enable coefficient read register (CRD1). 1=Enable. 0=Disable. Used in conjunction with WR3, RD3, and RD4 for reading coefficient values. |

3.1.6.3 WR3—Coefficient Select and Master Activation Timer Register

Address: A<3:0> = 0011

Default 00h

Attributes: Write Only.

This register serves two unrelated functions. Bits 5 and 6 are used to program the Master Activation Timer Constant (MATC) and bits 0-4 are used to select the internal coefficient register. [Table 10](#) and [Table 11](#) describe both of these functions.

Table 10. Master Activation Timer Constant (MATC) (WR3)

| Bit | MATC | Description |
|-------|--|------------------|
| B7 | <i>reserved</i> | Must be set to 0 |
| B6:B5 | 00=5000 01=2500 10=1667 11= 833 | MATC Value |

Table 11. Coefficient Select Functions of Register (WR3)

| B4:B0 in hex | Register Selected | Description |
|--------------|-------------------|---------------------------------|
| 00-07 | DFE1-DFE8 | DFE coefficients 1-8 |
| 08-0F | EC1-EC8 | Echo Canceller coefficients 1-8 |
| 10-15 | FFE1-FFE6 | FFE coefficients 1-6 |

Table 11. Coefficient Select Functions of Register (WR3) (Continued)

| B4:B0 in hex | Register Selected | Description |
|--------------|-------------------|-------------|
| 16-19 | reserved | |
| 1A | AGC Tap | AGC Tap |
| 1B:1F | reserved | |

3.1.6.4 WR9—Gain Control Register

Address: A<3:0> = 1001

Default: 00h

Attributes: Write Only.

The EMDP has improved performance on loops with low noise. If it is desired to take full advantage of this improved performance capability, set register WR9 to 0Fh after reset and before activation.

Table 12. Gain Control Register (WR9)

| Bit | Description |
|-------|--|
| B7:B4 | <i>reserved.</i> Must be set to 0. |
| B3:B0 | Receiver Gain Control. Set all 4 bits to 1 to increase the receiver gain by 6 dB. |

3.1.6.5 WR10-WR14—Activation Sub-State Timer Registers

Address: A<3:0> = 1010 through 1110

Default: As shown in Table 14

Attributes: Write Only.

The EMDP allows the user to program each of the timers in the activation state machine. This capability allows the user to optimize the timers for operation at various data rates in a particular application. Table 14 describes the activation sub-state timer registers.

3.1.6.6 WR15—Micro-interruption Timer Register

Address: A<3:0> = 1111

Default: 01h

Attributes: Write Only.

The EMDP allows the user to set an expiration value for the Micro-Interruption Timer (MIT). The EMDP stays in the ‘time out’ state until the MIT expires. The MIT is a 19 bit counter. Only 8 Most Significant Bits (MSB) of the MIT are accessible through MITR for programming as shown in Table 13. (The MIT functions by counting baud periods until the value stored in MIT register is exceeded). For further details, refer to “Micro-interruption” on page 57.

Table 13. Micro-interruption Timer Register (MITR)

| Bit | Description |
|-------|--|
| B7:B0 | Eight Most Significant Bits (MSB) of the Micro-interruption timer. |

Table 14. Activation Sub-State Timer Registers

| Register Address | Timer Name | Default Value in Hex (Decimal) | | State Ended on Expiration | |
|------------------|------------|--------------------------------|--------|---------------------------|-------|
| | | Master | Slave | Master | Slave |
| A3-A0 | | | | | |
| 1010 | SMT1 | 0A(10) | 1B(27) | Pre-AGC | Wait |
| 1011 | SMT2 | 13(19) | 13(19) | Pre-EC | AAGC |
| 1100 | SMT3 | 41(65) | 27(39) | AAGC | EC |
| 1101 | SMT4 | 4E(78) | 4E(78) | EC | PLL2 |
| 1110 | SMT5 | 67(103) | 40(64) | PLL | PLL1 |

1. See [Figure 20](#) and [Figure 21](#) for the definition of these state transitions.

3.1.6.7 RD0—Main Status Register

Address: A<3:0> = 0000

Default: xxh (x=undefined)

Attributes: Read Only.

Status Register bits serve the same purpose in Software Mode as the like-named individual pins in Hardware mode. [Table 15](#) lists the bit assignments in this register.

Table 15. Main Status Register (RD0)

| Bit | Status Bit Descriptions |
|-----|---|
| B7 | Timer Expiration (TMR_EXP). Set to 1 by EDSP to indicate expiration of the Master Activation Timer. <ul style="list-style-type: none"> Causes interrupt on changing from 0 to 1; masked by setting ACTMSK = 1 in register WR2 Latched event; reset on read, with persistence while in the Active state |
| B6 | TIP/RING polarity reversal (INVERT). Set to 0 by EDSP to indicate reversal of Tip and Ring signal polarity at the receiver. Valid only in Active1 or Active2 states and only in framed modes 6 and 7. |
| B5 | Change of Frame Alignment (COFA). Indicates that re-acquisition of frame synchronization is in a different position with respect to the last frame position. Does not cause interrupt. Latched event; reset on read. |
| B4 | Loss Of Signal (LOS). Set to 1 by EDSP to indicate that Data Pump has entered into Inactive state. <ul style="list-style-type: none"> Causes interrupt on transitions from 0 to 1 or 1 to 0; masked by setting LOSMSK = 1 in register WR2 LOS is not a latched event. EDSP continuously updates the status |
| B3 | Loop Number Indicator (LOOPID). Set to 0 or 1 by EDSP to indicate loop number 1 or number 2 respectively. Valid only in Active states, 0 in all others. LOOPID is set at the Master end of the loop and selects the frame synchronization word format to encode the loop number. This bit indicates the format of the received frame synchronization word at both the Master and the Slave. The LOOPID function is supported only in framed modes 6 and 7. |

Table 15. Main Status Register (RD0) (Continued)

| Bit | Status Bit Descriptions |
|-----|--|
| B2 | Deactivation Indicator (DEACTVTD). Set to 1 by EDSP to indicate expiration of the Deactivation timer and the transition from the Pending Deactivation state to the Deactivated state. <ul style="list-style-type: none"> • Causes interrupt on changing from 0 to 1; masked by setting DEACTMSK = 1 in register WR2 • Latched event; reset on read; with persistence while in the Deactivated state |
| B1 | Link Active Indicator, (ACTIVE), active low. Set to 1 by EDSP upon entering into the Pending Deactivation state. <ul style="list-style-type: none"> • Causes interrupt on changing from 0 to 1; masked by setting ACTBMSK = 1 in register WR2 • Latched event; reset on read; with persistence while in the Pending Deactivation state |
| B0 | Link Active Indicator, (ACTIVE), active high. Set to 1 by EDSP upon completion of activation process and entering into the Active state. <ul style="list-style-type: none"> • Causes interrupt on changing from 0 to 1; masked by setting ACTMSK = 1 in register WR2 • Latched event; reset on read with persistence if still in Active state |

3.1.6.8 RD1—AGC Tap Value Register

Address: A<3:0> = 0001

Default: xxh (x=undefined)

Attributes: Read Only.

This register contains the eight most significant bits of the main FFE AGC tap. B7 is the sign bit and is always equal 0. B0 the least significant bit.

The AGC Tap value can be used to calculate approximate Loop Loss (LL) as described in “[Loop Loss and SNR](#)” on page 60.

The AGC tap value is determined as follows:

$$\text{AGC Tap} = \sum_{i=0}^6 B_i * 2^{i-6}$$

In this equation Bi is the bit value of register RD1.

For example:

RD1 = 01100101 (65h)

AGC Tap = 1+0.5+0.0625+0.015625 = 1.578125.

Table 16. AGC Tap Value Register (RD1)

| Bit | Description |
|-------|--|
| B7:B0 | FFE AGC Tap Value (eight most significant bits). |
| | B7 - AGC Tap Sign bit - always = 0 |
| | B6 - AGC Tap MSB, Value: 1 |
| | B5 - Value: 0.5 (1/2) |
| | B4 - Value: 0.25 (1/4) |
| | B3 - Value: 0.125 (1/8) |
| | B2 - Value: 0.0625 (1/16) |
| | B1 - Value: 0.03125 (1/32) |
| | B0 - AGC Tap LSB, Value: 0.015625 (1/64) |

3.1.6.9 RD2—Noise Margin Register

Address: A<3:0> = 0010

Default: xxh (x=undefined)

Attributes: Read Only.

RD2 provides a calculated, logarithmic noise margin value which is used by the EMDP state machine. This coded noise margin value is according to ETSI ETR 152 recommendation. The noise margin value is always available, but it is recalculated and updated only every 64 baud. Table 17 shows the noise margin coding.

The indicated noise margin is affected by the setting of the Gain Control Register (WR9). If the receiver gain is increased by 6 dB, the indicated noise margin must be decreased by 6 dB.

Table 17. Noise Margin Register (RD2)

| MSB | | LSB | | Coded Noise Margin ^{1,2} | | MSB | | LSB | | Coded Noise Margin ^{1,2} | | | | | | |
|-----|---|-----|---|-----------------------------------|---|-----|---|-----|---|-----------------------------------|---|---|---|---|---|------|
| 7 | 6 | 5 | 4 | 3 | 2 | 1 | 0 | 7 | 6 | 5 | 4 | 3 | 2 | 1 | 0 | |
| 0 | 0 | 1 | 1 | 0 | 1 | 0 | 1 | 0 | 0 | 0 | 1 | 0 | 0 | 0 | 0 | +8.0 |
| 0 | 0 | 1 | 0 | 1 | 1 | 1 | 1 | 0 | 0 | 0 | 0 | 1 | 1 | 1 | 0 | +7.0 |
| 0 | 0 | 1 | 0 | 1 | 0 | 1 | 1 | 0 | 0 | 0 | 0 | 1 | 1 | 0 | 0 | +6.0 |
| 0 | 0 | 1 | 0 | 1 | 0 | 0 | 1 | 0 | 0 | 0 | 0 | 1 | 0 | 1 | 0 | +5.0 |
| 0 | 0 | 1 | 0 | 0 | 1 | 1 | 1 | 0 | 0 | 0 | 0 | 1 | 0 | 0 | 0 | +4.0 |
| 0 | 0 | 1 | 0 | 0 | 1 | 0 | 1 | 0 | 0 | 0 | 0 | 0 | 1 | 1 | 0 | +3.0 |
| 0 | 0 | 1 | 0 | 0 | 1 | 0 | 0 | 0 | 0 | 0 | 0 | 0 | 1 | 0 | 0 | +2.0 |
| 0 | 0 | 1 | 0 | 0 | 0 | 1 | 0 | 0 | 0 | 0 | 0 | 0 | 0 | 1 | 0 | +1.0 |
| 0 | 0 | 1 | 0 | 0 | 0 | 0 | 0 | 0 | 0 | 0 | 0 | 0 | 0 | 0 | 0 | 0.0 |
| 0 | 0 | 0 | 1 | 1 | 1 | 1 | 0 | 1 | 1 | 1 | 1 | 1 | 1 | 1 | 0 | -1.0 |
| 0 | 0 | 0 | 1 | 1 | 1 | 0 | 0 | 1 | 1 | 1 | 1 | 1 | 1 | 0 | 0 | -2.0 |

1. Accuracy of noise margin is ± 1 dB.
2. Reduce indicated noise margin by 6 dB if receiver gain (Register WR9) is increased by 6 dB.

Table 17. Noise Margin Register (RD2) (Continued)

| MSB | | | | LSB | | | | Coded Noise Margin ^{1,2} | MSB | | | | LSB | | | | Coded Noise Margin ^{1,2} |
|-----|---|---|---|-----|---|---|---|-----------------------------------|-----|---|---|---|-----|---|---|---|-----------------------------------|
| 7 | 6 | 5 | 4 | 3 | 2 | 1 | 0 | | 7 | 6 | 5 | 4 | 3 | 2 | 1 | 0 | |
| 0 | 0 | 0 | 1 | 1 | 0 | 1 | 0 | +13.0 | 1 | 1 | 1 | 1 | 1 | 0 | 1 | 0 | -3.0 |
| 0 | 0 | 0 | 1 | 1 | 0 | 0 | 0 | +12.0 | 1 | 1 | 1 | 1 | 1 | 0 | 0 | 0 | -4.0 |
| 0 | 0 | 0 | 1 | 0 | 1 | 1 | 0 | +11.0 | 1 | 1 | 1 | 1 | 0 | 1 | 1 | 0 | -5.0 |
| 0 | 0 | 0 | 1 | 0 | 1 | 0 | 0 | +10.0 | 1 | 1 | 1 | 1 | 0 | 1 | 0 | 0 | -6.0 |
| 0 | 0 | 0 | 1 | 0 | 0 | 1 | 0 | +9.0 | | | | | | | | | |

1. Accuracy of noise margin is ±1 dB.
2. Reduce indicated noise margin by 6 dB if receiver gain (Register WR9) is increased by 6 dB.

3.1.6.10 RD3 (LSB), RD4 (MSB)—Coefficient Read Register

Address: RD3<3:0> = 0011, RD4<3:0> = 0100

Default: xxh (x=undefined)

Attributes: Read Only.

RD3 and RD4 are used to read various internal coefficient registers. The address of a particular coefficient register to be read is first written in WR3, then RD3 and RD4 provide the content of that coefficient register. Each coefficient is a 16 bit word whose lower byte is read from RD3 and upper byte is read from RD4. The EDSP updates this word on each rising edge of the serial control frame strobe signal, SRCTL_FS.

Table 18. Coefficient Read Registers (RD3 and RD4)

| Bit | Description |
|-----|--|
| 7:0 | Coefficient Word Value. RD3 contains the lower byte; RD4 contains the upper byte. |

3.1.6.11 RD5—Activating Status Register

Address: A<3:0> = 0101

Default: xxh (x=undefined)

Attributes: Read Only.

The ACT bits shown in Table 19 indicate the current state of the EMDP during the Activating state. (For any state other than the Activating state, the ACT bits will be “0000”.) The contents of the Activating status register may be used to monitor the progress of the training and activating sequence in the EMDP.

Table 19. Activating Status Register (RD5)

| Bit | Description | |
|--------------|--|---------------------------------------|
| B7:B4 | Reserved | |
| B3:B0 | Activating state in Master Mode | Activating state in Slave Mode |
| 0000 | Inactive | Inactive |
| 0001 | Pre-AGC | Wait |

Table 19. Activating Status Register (RD5) (Continued)

| Bit | Description | |
|------|---------------------|---------------------|
| 0010 | Pre-EC | AAGC |
| 0011 | SIGDET | EC |
| 0100 | AAGC | PLL1 |
| 0101 | EC | PLL2 |
| 0110 | PLL | 4LVLDDET |
| 0111 | 4LVLDDET | FRMDET ¹ |
| 1000 | FRMDET ¹ | n/a |
| 0000 | Active | Active |

1. Available only in operating mode 6 and 7. In other operating modes this state is skipped.

3.1.6.12 RD6— Receiver Gain and State Machine Register

Address: A<3:0> = 0110

Default: xxh (x=undefined)

Attributes: Read Only.

This 8-bit register holds the Analog AGC gain and FFE gain coefficients (AAGC and DAGC, respectively). AAGC is the analog AGC from the IAFE, and DAGC is the Digital AGC in the EDSP. Bit assignments are listed in [Table 20](#).

Bits ST0-ST2 indicate the current state of EMDP in the activation state machine as described in [Table 21](#). “Activation” on [page 45](#) for further details.

Table 20. Activation State, Receiver AGC and FFE Step Gain Register (RD6)

| Bit | Description |
|-------|---|
| B7 | ST2. Data Pump Activation State Indicator bit 2. Refer to Table 21 . |
| B6 | ST1. Data Pump Activation State Indicator bit 1. Refer to Table 21 . |
| B5:B4 | DAGC1, DAGC0. Digital Gain Word–bit 1 and Digital Gain Word–bit 0. 00→ 2 ⁰ = 1 → 0 dB 01→ 2 ¹ = 2 → 6 dB 10→ 2 ² = 4 → 12 dB 11→ 2 ³ = 8 → 18 dB |
| B3 | ST0. Data Pump Activation State Indicator bit 0. Refer to Table 21 . |
| B2:B0 | AAGC2-AAGC0. Analog Gain Word–bit 2,1 and 0. 000→ -12 dB 001→ -10 dB 010→ -8 dB 011→ -6 dB 100→ -4 dB 101→ -2 dB 110→ 0 dB 111→ +2 dB |

Table 21. Data Pump Activation State

| ST2 | ST1 | ST0 | Description |
|---|-----|-----|--|
| 0 | 0 | 0 | Inactive state |
| 0 | 0 | 1 | Activating state |
| 0 | 1 | 0 | Active state - Master Activation Timer running (Active1) ¹ |
| 0 | 1 | 1 | Active state - Framed operating Mode only (Active2) ¹ |
| 1 | 0 | 0 | Pending Deactivation state |
| 1 | 0 | 1 | Deactivated state |
| 1 | 1 | 1 | Time-out state - during micro-interruption Active state - Transparent and Independent operating modes only ¹ |
| 1. During Active State, received data is available at the RDATA. During all other states, the RDATA is held High. | | | |

3.2 Data Pump Operation

This section provides details of the operation of the EMDP and includes following sub-sections:

- operating modes
- timing and data synchronization
- control modes
- register access
- activation
- frame synchronization
- deactivation

3.2.1 Operating Modes

As listed in Table 5, EMDP supports the following operating modes:

- Transparent operating mode
- Independent operating mode
- Framed mode

Some of these operating modes have a number of options as described below. Selection of the modes and the options is controlled with three mode select signals: MODE_S1, MODE_S2 and MODE_S3.

3.2.1.1 Transparent Operating Modes (0:2)

Transparent operating Mode transmits data supplied at the TDATA input completely transparent without changing it. Within Transparent operating Mode three options are available:

- The internal scrambler disabled, sign bit transmitted first (mode #0).

- The internal scrambler disabled, magnitude bit transmitted first (mode #1).
- The internal scrambler enabled, sign bit transmitted first (mode #2).

When the internal scrambler is disabled, the incoming data must be aligned with the quat clock. The data may be aligned with either the sign bit or the magnitude bit first. If the scrambler is disabled the user must assure that the 2B1Q pulses are properly scrambled to meet the system PSD and performance requirements. In Transparent operating Mode with the scrambler disabled the EMDP could be compatible with other vendor framers while transporting data. In addition, the EDSP uses internal signals during the activation process to ensure easy and reliable activation. The transmit and receive data signals share common bit clocks and baud clocks in Transparent operating Mode. Figure 9, Figure 10 and Figure 11 show the data and clock relationships available in Transparent operating Mode.

Figure 9. Clock/Data relationships: Transparent Operating Mode (#0), Sign First, Not Scrambled

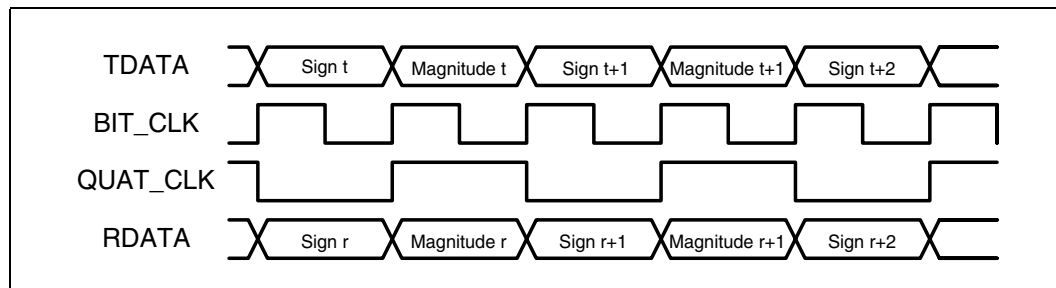
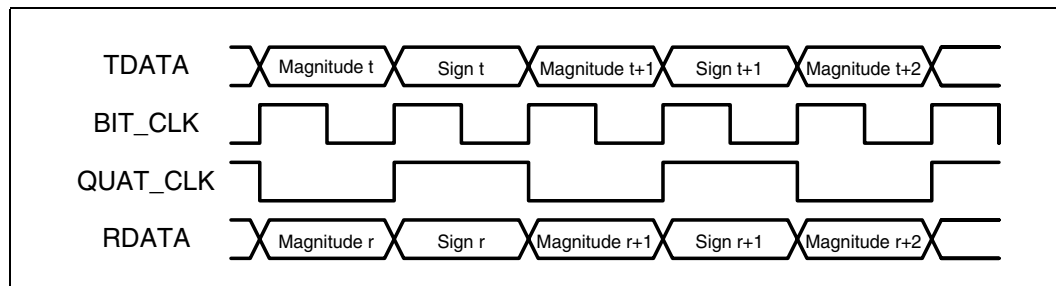


Figure 10. Clock/Data relationships: Transparent Operating Mode (#1), Magnitude First, Not Scrambled



3.2.1.2 Independent Operating Modes (4:5)

The Independent operating modes provided by the EMDP use separate transmit and receive clocks to minimize data transport delay (latency) and to provide constant data delay within the EMDP. In a transmission system delay occurs in the transmitter, the transport media and the receiver. The EMDP has small and constant delay in the transmitter and receiver by design. The medium dependent delay changes linearly with the length of the twisted pair wire. In Transparent operating mode there is an additional receiver delay required to align the received signal with the BIT_CLK at the data I/F. The magnitude of this delay is variable, ranging from 0 to a full baud period. Independent mode removes this delay by providing separate transmit and receive clocks so that the received data can be output as soon as it is available.

Independent mode has another option, to enable or disable the internal scrambler. If the scrambler is bypassed, the user must assure that the 2B1Q pulses are properly scrambled to meet the system PSD and performance requirements. The data must be presented with the sign bit first. Figure 12 and Figure 13 show the data and clock relationships available in Independent Mode.

Figure 11. Clock/Data Relationships: Transparent Operating Mode (#2), Scrambled

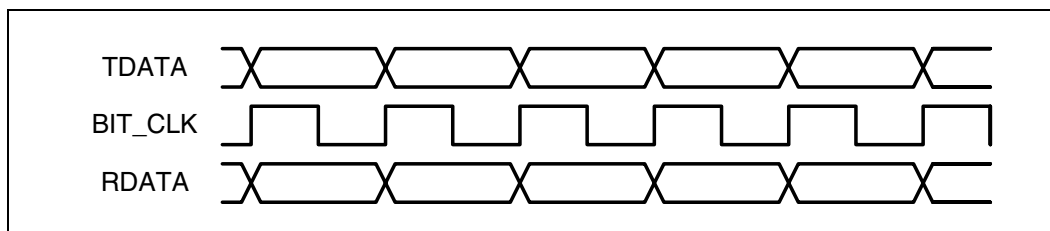


Figure 12. Clock/Data Relationships: Independent Operating Mode (#4), Sign First, Scrambler Disabled

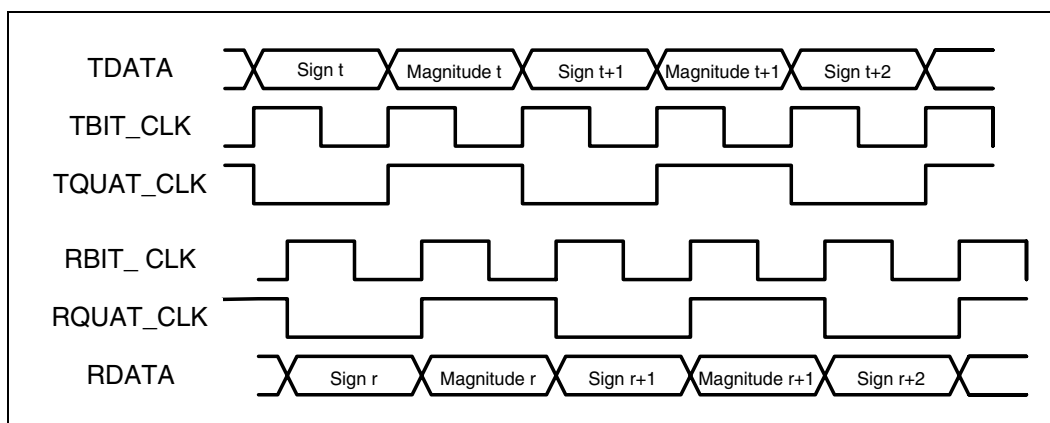
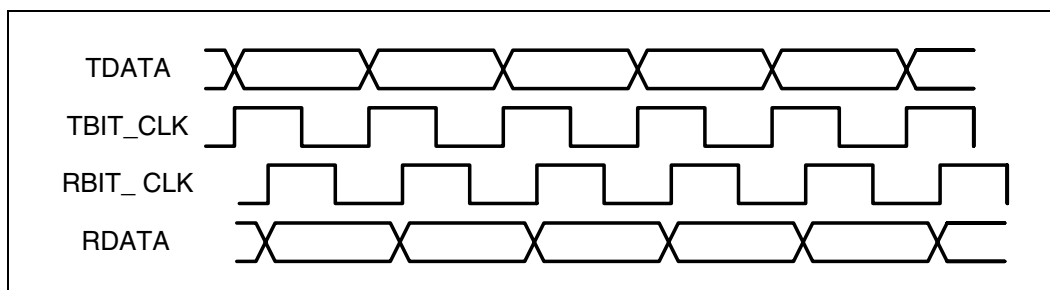


Figure 13. Clock/Data Relationships: Independent Operating Mode (#5), Scrambled



Framed Operating Mode (6:7)

The EMDP has two Framed operating modes and can be used in a number of different applications. The basic framing functions provide ETSI and ANSI compatible framing sequences when operated at the appropriate line rate. In mode 6 the frame length is either 7006 or 7010 bits long. When operated at a nominal line rate of 1168 kbps this framing structure is compatible with the ETSI framing structure specified for two pair HDSL systems. In mode 7 the frame length is either 4702 or 4706 bits long. When operated at a nominal line rate of 784 kbps this framing structure is compatible with the ANSI framing structure specified for two pair HDSL systems and the ETSI

structure for three pair HDSL systems. Both framing modes provide bit stuffing capability so that pleisiochronous data streams may be transported without error and with acceptable jitter and wander. The scrambler is always enabled when either mode 6 or mode 7 is selected.

- Data Interface Timing

This section provides guidance for the use of the EMDP in the framed mode. Detailed information on operation in those modes is contained in the MDSL data sheets for the standard MDSL chip set (SK70720/70721).

The EMDP data interface provides for the transfer of binary data to and from the transceiver using the 272 to 1,168 kHz clock, BIT_CLK, generated by Data Pump. [Figure 14](#) and [Figure 15](#) show the data interface timing for modes 6 and 7. Since the only difference between these modes is the number of bits per frame, the convention used in this section will be to write appropriate bit numbers consequently for modes 6 and 7, separated by a slash (for instance, 4702/7006).

In the transmit direction, payload data is sampled from TDATA during bits b15-b4702/7006 of each frame. Frame sync word bits (b1-b14) are internally generated in the EDSP. The state of TDATA during b1-b14 is ignored. For fixed line rate applications an external counter must drive the TFP input low for one complete BIT_CLK cycle. This signal on TFP establishes the start of an MDSL frame - bit 1 of the frame begins immediately after the end of this signal on TFP. The external data source must suppress data for 14 bit periods during the internally generated frame synchronization word, bits 1-15. In variable line rate applications, bit stuffing logic adjusts the time between TFP pulses to match the average line rate of the Data Pump and the data rate of the external source. In both the cases - fixed and variable line rate, the TFP signal should be valid prior to an activation request to the Master Data Pump. A valid TFP signal should be generated after power-up, before or immediately after LOS goes low for the Slave Data Pump. During initialization and anytime thereafter TFP must not be held low for more than 2 BIT_CLK cycles or the data interface output signals will be disabled. If the TFP signal is inactive (always high or unconnected) when activation starts, the Data Pump may activate but will inject synchronization bits in every frame and stuff bits into every other frame. Since the Data Pump will not be synchronized to the data source these internally generated bits will overwrite payload data. If the position of TFP changes, the Data Pump will immediately reset the transmit frame alignment, typically causing a temporary loss of frame alignment at the other end.

In the receive direction, the binary data output on RDATA contains the 14-bit frame synchronization word (b1-b14), the transparent payload data (b15-b4702/7006) and optional stuff bits (b4703-b4706/b7007-b7010). The data strobe signal RDATA_ST is high during the frame synchronization word and stuff bits and low during payload data. RDATA_ST can be used to create a gapped receive payload data clock by suppressing BIT_CLK cycles when RDATA_ST is high. RFP is the receive frame synchronization output that goes low during the first bit of every MDSL frame. In variable data rate applications the original data timing can be recovered from RFP using a PLL.

During the activation process, no data are transmitted until the Noise Margin is greater than -5 dB and the frame synchronization word has been detected in 6 consecutive frames. The output data line, RDATA, is held high until ACTIVE goes low to indicate link activation has been completed.

Figure 14. Clock/Data Relationships: Framed Mode (#6), Scrambled (7006/7010 bits per frame)

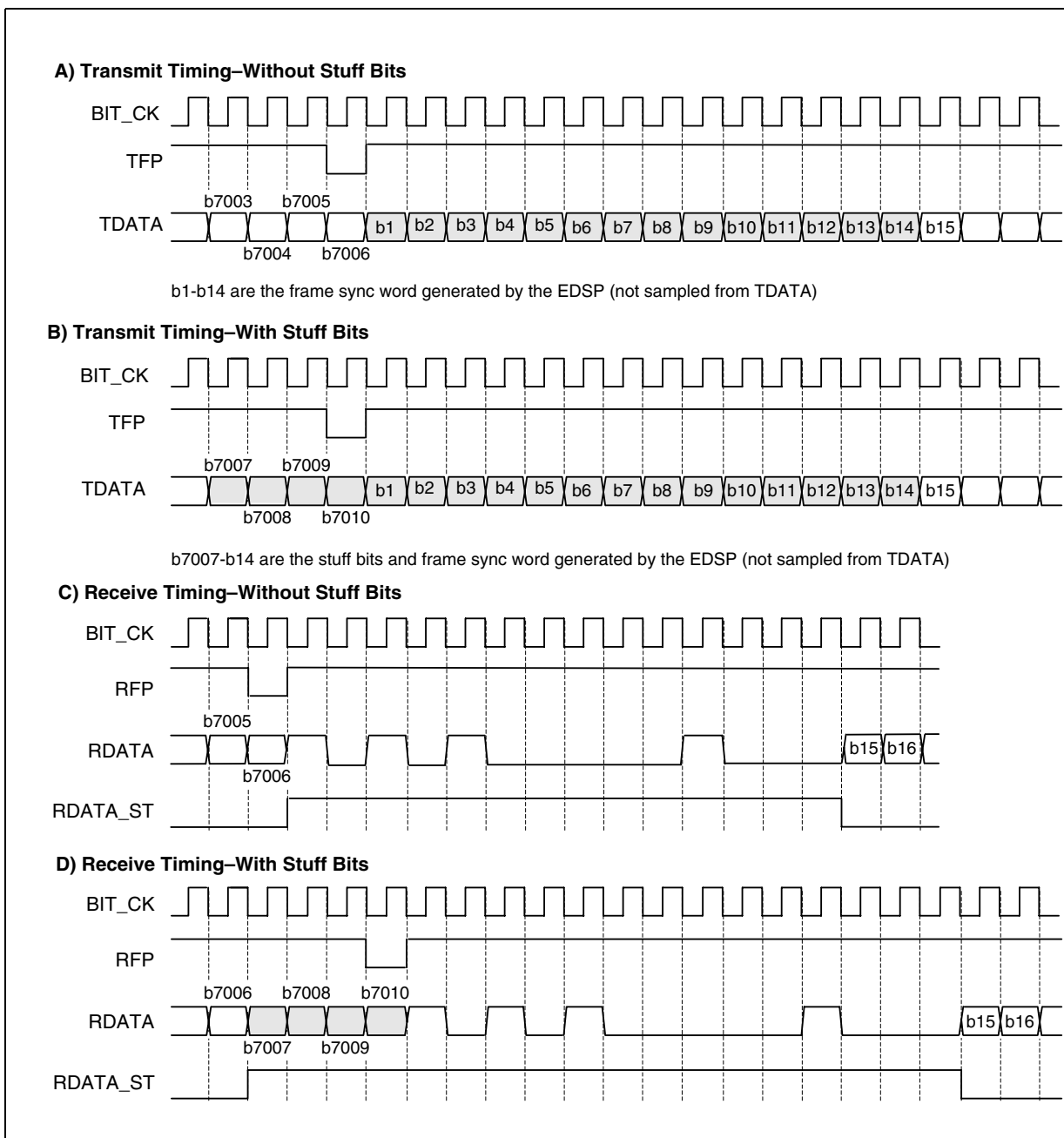
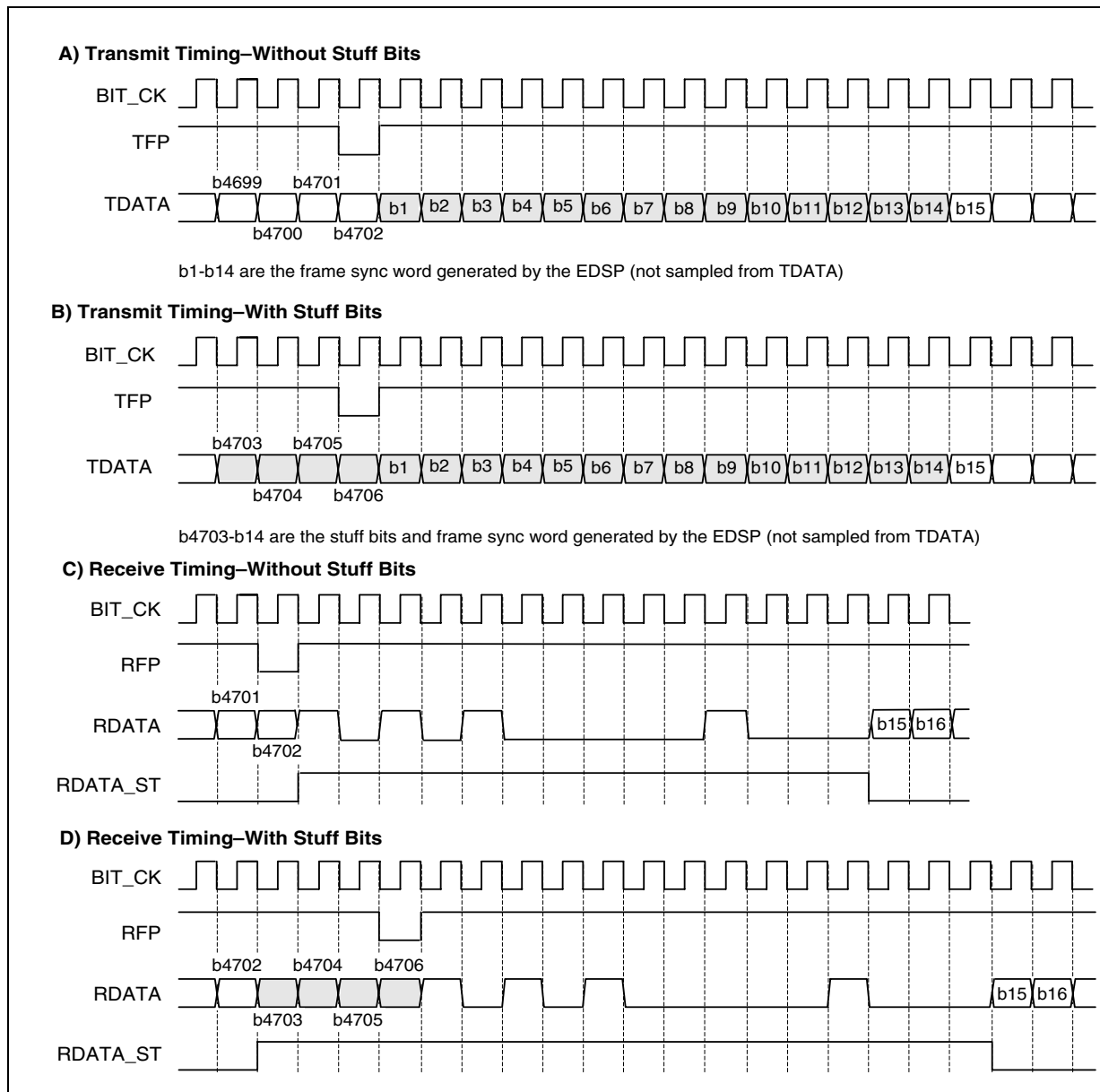


Figure 15. Clock/Data Relationships: Framed Mode (#7), Scrambled (4702/4706 bits per frame)


3.2.2 Timing and Data Synchronization

The EMDP implements a synchronous, echo-cancelled communications system. For such a system to work properly, both Data Pumps must share a common clock. This common system clock is generated at the Master and sent over the data link to the Slave Data Pump. Figure 16 shows an MDSL link between a Master and Slave transceiver. This figure illustrates the clock/timing architecture of the Data Pump in both modes. Link activation is initiated by the Master mode device which also operates as the MDSL timing source. The Slave mode device recovers the MDSL clock from the received data and uses this clock to transmit data towards the Master.

A Master Data Pump derives its line transmit clock and data interface clocks from MSTR_CLK by dividing it by 16. MSTR_CLK also provides a ± 32 ppm accurate local training reference for the receiver clock recovery VCXO before activation. When active, the Master Data Pump uses the VCXO, as part of PLL, for clock recovery from the line. Since the Slave clock is synchronous with the Master clock after activation, the result is that the transmit and receive signals and clocks all operate at the same frequency. There is, however, an unknown phase difference between the two clocks at the Master. All received clocks are subject, in addition, to degradation due to jitter and wander.

At the Slave transceiver, SLAVE_CLK is used only to train the VCXO frequency within ± 32 ppm before activation. After activation, the Slave Data Pump derives the transmit clock, receiver internal clock and data interface bit clock from the PLL locked to the received clock.

An internal FIFO is provided so that the receive data at the Master can be aligned with the bit clock derived from the MSTR_CLK. This FIFO is disabled in Independent mode.

To select the clock and crystal frequencies required for a specific application, the required line rate must first be calculated from the specified payload data rate. In the case of transparent and Independent operating modes, the line rate would be equal to the payload data rate. In the case of framed operating modes, line rate would be calculated as follows:

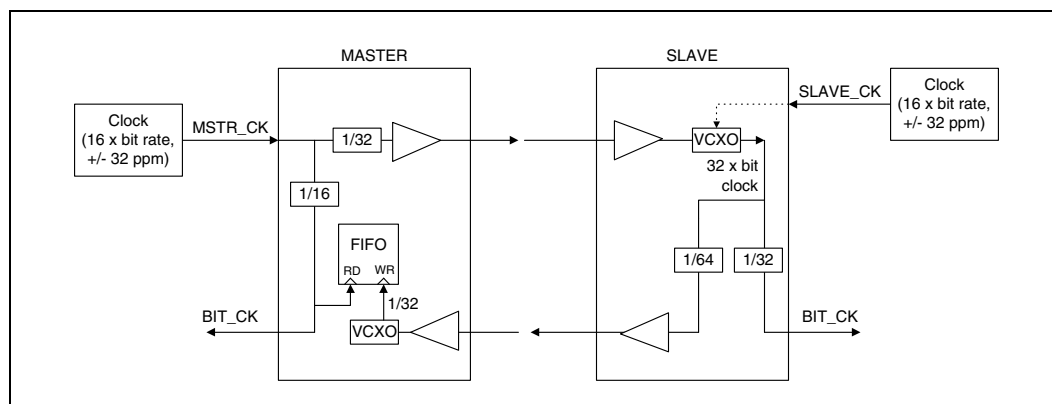
Operating mode 6, no bit stuffing: line rate = $(7006/6992) \times \text{payload data rate}$.

Operating mode 6, with bit stuffing: line rate = $(7010/6992) \times \text{payload data rate}$.

Operating mode 7, no bit stuffing: line rate = $(4702/4688) \times \text{payload data rate}$.

Operating mode 7, with bit stuffing: line rate = $(4706/4688) \times \text{payload data rate}$.

Figure 16. EMDP Clock Distribution In Master and Slave Modes



3.2.3 Control Modes

The EMDP includes an integrated, hardware controlled state machine unique to Intel DSL Data Pumps. The hardware control mode allows the design of low cost, low power MDSL systems which do not require the support of a microprocessor. Thus, in the hardware control mode no programming is required. Where it is desirable to use the full capabilities of the EDSP, a microprocessor interface provides access to the internal registers of the EDSP. The next two sections describe both control modes.

3.2.3.1 Hardware (Stand-alone) Control

In hardware control mode the EMDP utilizes I/O pins to provide simple activation control and status indication. These I/O pins are multiplexed with the pins used for the microprocessor interface. Figure 17 shows the pin functions in hardware control mode. Note that the hardware mode select pins ($\overline{\text{HWSEL1}}$, $\overline{\text{HWSEL2}}$, and $\overline{\text{HWSEL3}}$) are used for the $\overline{\text{CHIPSEL}}$, $\overline{\text{READ}}$, and $\overline{\text{WRITE}}$ signals when in microprocessor mode. Holding these three pins low causes the EDSP to enter in the Hardware Control Mode.

ACTREQ

Setting ACTREQ pin high initiates the activation state machine. ACTREQ is a level sensitive signal. ACTVNG signal goes high and stays high until the Data Pump activates. Upon activation, LOS pin goes low. TMR_EXP pin goes high after activation timer expires. If link is disconnected due to any reason, DEACTVTD pin goes high and stays high until the Data Pump reaches inactive state.

ILMT

Setting ILMT pin high enables Data Pump to send all 1's scrambled pattern on the loop. This is mainly useful in measuring power spectral density of the transmitted signal. In the case of framed operating modes, the signals transmitted are framed, with unscrambled synchronization word and without stuffing bits. In case of Transparent and Independent operating modes, the signals transmitted are scrambled and unframed.

TXTST

Setting TXTST pin high enables the Data Pump to transmit isolated pulses. Amplitude of the pulses depends upon the TDATA and TFP pin status. TDATA controls the sign and TFP controls the magnitude of the transmitted pulses according to the 2B1Q encoding rules described in Table 3. The TXTST function is available only in framed operating modes 6 and 7. In framed operating mode 6, the pulses are transmitted every 7008 BIT_CLK cycles, corresponding to the ETSI framing sequence. In framed operating mode 7, the pulses are transmitted every 4704 BIT_CLK cycles. TXTST is available only in the Inactive state of the Data Pump.

RPTR

Setting RPTR pin high enables Data Pump in Master mode to configure in repeater mode. This ensures that the phase of the BIT_CLK in Master mode is aligned with the TFP pulse. Note that to configure two Data Pumps to operate as a repeater, MASTER_CLK output from Slave Data Pump is connected to MASTER_CLK input of adjacent Master Data Pump. RFP of the Slave Data Pump is connected to TFP input of Master Data Pump. In Slave mode, RPTR pin has no function and can be pulled low or high.

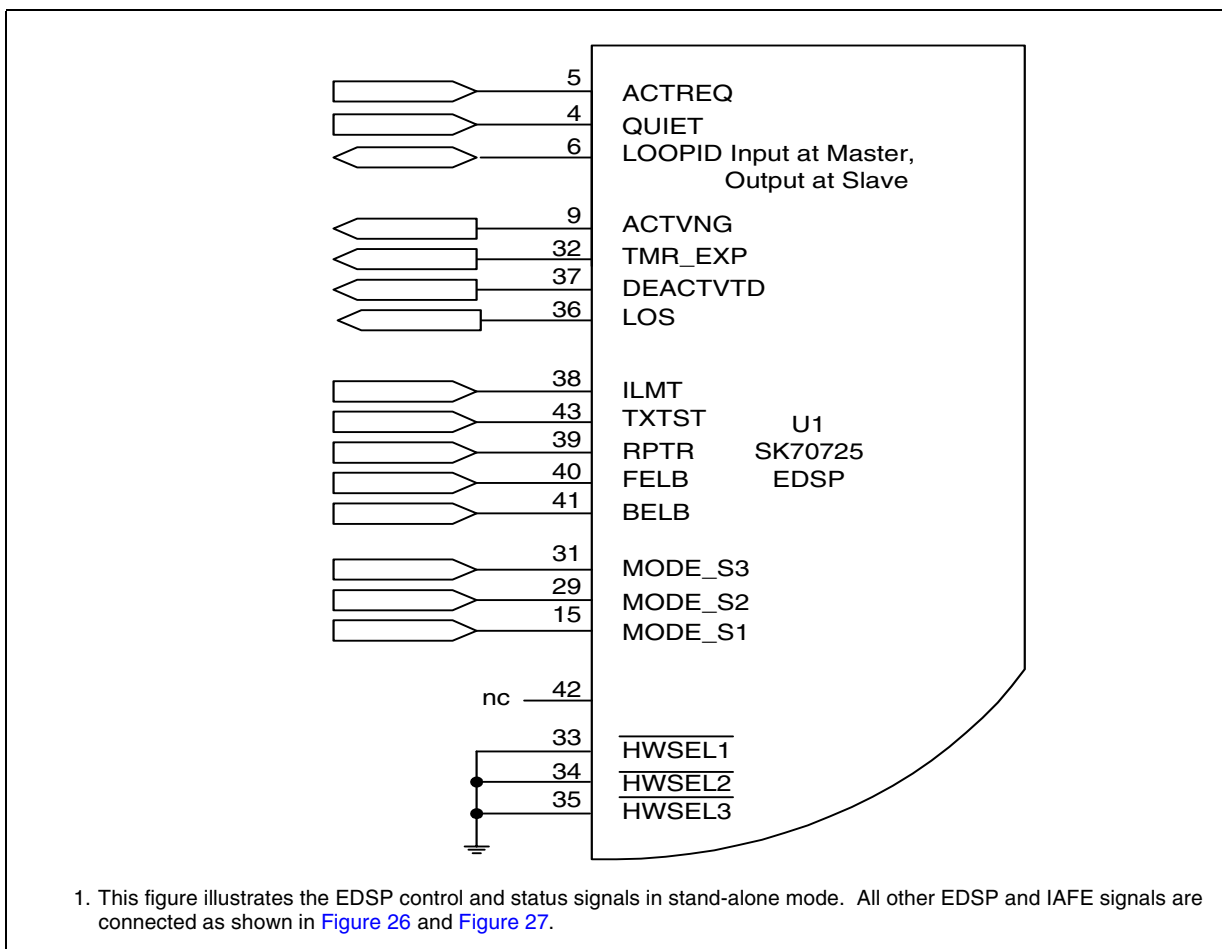
FELB

Setting FELB pin high enables the Data Pump to configure in front end loop back. The Data Pump must be in Master mode. Upon setting ACTREQ pin to high, the Data Pump will begin activation using its own signals received at the BTIP and BRING inputs. Proper operation in this mode is dependent on the configuration of external line interface circuit components.

BELB

Setting BELB pin high enables Data Pump to configure in back end loop back. The Data Pump must be in active state. RDATA and RFP outputs are used in place of the TDATA and TFP inputs, respectively. TDATA and TFP signals from the external interface are ignored.

Figure 17. EDSP Control and Status Signals (Stand-alone Model)



3.2.3.2 Microprocessor (Software) Control

Three primary control pins, $\overline{\text{CHIPSEL}}$, $\overline{\text{READ}}$ and $\overline{\text{WRITE}}$, select the Software Mode which also uses an interrupt output pin to report status changes. Four additional pins are used for the parallel bus addressing and eight pins for data I/O. Refer to Test Specifications for microprocessor interface timing in Software Mode.

Chip Select:

The Chip Select ($\overline{\text{CHIPSEL}}$) pin requires an active low signal to enable Data Pump read or write operations.

Read:

Data is placed on the data bus when the Data Read pin ($\overline{\text{READ}}$) goes low. When $\overline{\text{READ}}$ is asserted, the EDSP data bus lines go from tristate to active and place the data from the register addressed by ADDR0-ADDR3 on to the data bus D0-D7.

Write:

The Data Write pin ($\overline{\text{WRITE}}$) requires an active low pulse to enable a write transfer on the data bus. Data transfer is triggered by the rising edge of the $\overline{\text{WRITE}}$ pulse. To ensure data is written to the register addressed by ADDR0-ADDR3, valid data must be present on the EDSP data bus lines before $\overline{\text{WRITE}}$ goes high.

Interrupt:

The Interrupt pin ($\overline{\text{INT}}$) is an open drain output requiring an external pull-up resistor. The $\overline{\text{INT}}$ output is pulled low when an internal interrupt condition occurs. $\overline{\text{INT}}$ is latched and held until Main Status Register RD0 is read. An internal interruption results from a low-to-high transition in any of the four status indicators: ACTIVE, $\overline{\text{ACTIVE}}$, DEACTVTD or TMR_EXP. Any transition of the LOS indicator will also cause an interrupt. The interrupts associated with transitions of the above mentioned status bits may be masked by setting the appropriate bits in register WR2 as shown in Table 9.

3.2.4 Register Access

There are ten write only registers and seven read only registers available in the EDSP. Refer to Table 7 for the list of registers. Following is the procedure to access the registers.

3.2.4.1 Writing Registers

To write to an EDSP register, proceed as follows:

1. Drive $\overline{\text{CHIPSEL}}$ low.
2. Set the register address on ADDR0-ADDR3.
3. Observe address setup time requirements.
4. Set 8-bit input data word on D0-D7.
5. Pull $\overline{\text{WRITE}}$ low, observing minimum pulse width.
6. Pull $\overline{\text{WRITE}}$ high, observing hold time requirements for data and address lines.

3.2.4.2 Reading Registers

Procedures for reading the EDSP registers vary by register. Registers RD0, RD1, RD2, RD5 and RD6 are easily accessed. The process for reading registers RD3 and RD4 is more complex. Both processes are described below.

To read registers RD0, RD1, RD2, RD5 or RD6:

1. Pull $\overline{\text{CHIPSEL}}$ low.
2. Place the desired address onto ADDR0-ADDR3.

3. Pull $\overline{\text{READ}}$ low.
4. After observing minimum pulse width make $\overline{\text{READ}}$ high to complete the read cycle. (Figure 35).

Registers RD3 and RD4 hold the coefficient values from the DFE, EC, FFE and AGC as shown in Table 11. Register RD3 holds the lower byte value and register RD4 holds the upper byte value. To reconstruct the complete 16-bit word, concatenate the least significant and most significant bytes.

To read registers RD3 and RD4:

1. Select the desired coefficient by writing the appropriate code from Table 11 to register WR3.
2. Enable the Coefficient Read Register by writing a 1 to bit b0 (CRD1) in register WR2.
3. Perform standard register read procedure listed in steps 1 through 6 above to read the lower byte from RD3 and the upper byte from RD4.
4. Concatenate the contents of RD3 and RD4 to obtain the complete 16-bit word.

3.2.5 Activation

The EMDP integrates all logic required to manage DSL line activation, operation, and deactivation. Figure 18 illustrates the Activation State Machine for unframed modes (0,1,2,4, and 5). Figure 19 illustrates the Activation State Machine for framed modes (6 and 7). In addition to the major states shown in Figure 18 and Figure 19, two of the EDSP states (Activating and Pending Deactivation) have significant sub-states which can be managed for optimum performance. The Activating Substates are described in the following: Table 23 and Table 24, Figure 20 and Figure 21.

Activation can be initiated only at the Master Data Pump.

Earlier MDSL Data Pumps operated only in Framed mode. These Data Pumps used FSW, for activation state timing. These Data Pumps also relied on detection of the FSW for changes from one state to another. The EMDP uses the FSW in the activation sequence only in framed modes 6 and 7.

3.2.5.1 Activation Sequence

When the Master Data Pump is reset, the EMDP goes to the Inactive state. The EMDP remains in the Inactive state until the ACTREQ command is asserted. In the hardware mode when the Master Data Pump is in the Inactive state and the QUIET pin is low, a low-to-high transition on the ACTREQ pin initiates activation of the link. In the software mode when the Data Pump is in the Inactive state and the QUIET bit is set to 0, setting the ACTREQ bit to 1 initiates activation of the link. Because the ACTREQ control bit is level sensing, to generate a single request, ACTREQ should be set to 1 and then reset to 0 before the MAT expires.

The activation state machines for Slave and Master EMDP are similar. The primary difference is that the Master activates from an external activation command (ACTREQ) while the Slave device begins activation when signal energy is detected on the loop. Thus, only the Master device can bring up the link. Once the Master begins transmitting, the Slave device will automatically activate and attempt synchronization.

Figure 18. Activation State Machine for Modes 0,1,2,4 & 5

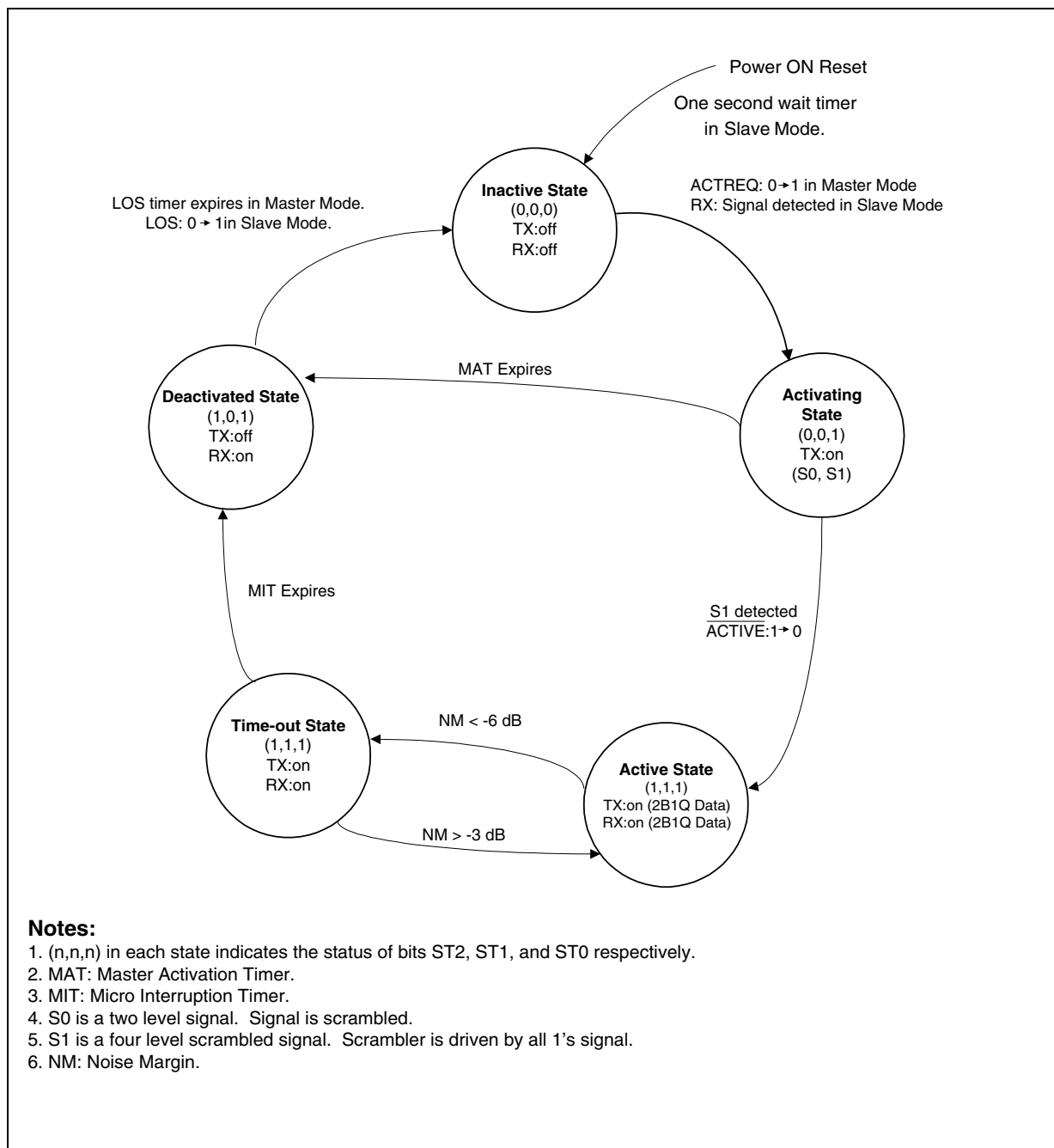
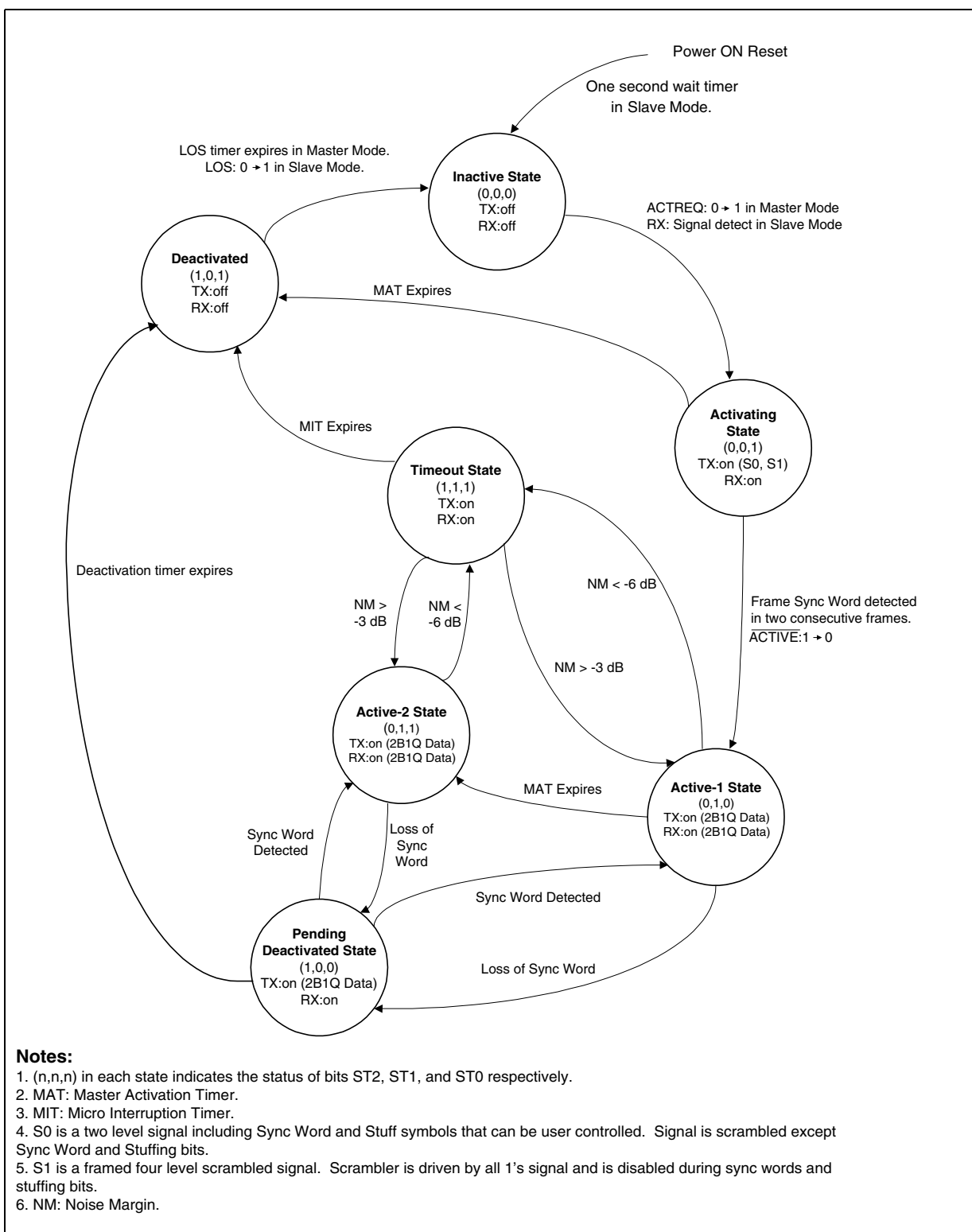


Figure 19. Activation State Machine for Modes 6 & 7



Starting from the Inactive state, the device normally progresses through the Activating, Active1, and Active2 states. In software mode, the ST_n bits in register RD6 shows the current status of the state machine (Table 21).

During the Activating state, the AGCs, echo canceller, equalizers and timing recovery circuits adapt to the characteristics of a particular transmission line using training signals. Two types of training signals are used by the Data Pump:

Training signal S0

S0 is a two level signal comprised of +3 and -3 only.

Training signal S1

S1 is a four level signal comprised of +3,-3,+1, -1.

The EMDP provides great flexibility in selecting the source of both S0 and S1 signals. See details in Table 22.

Table 22. EMDP Mode Dependent Activation Signal State

| Mode | | | Xmit Signal | Scrambler Input | | D/A Input | | Internal Sync Word | Internal Stuffing | Mode | |
|------|---|---|-------------|-----------------|-----|-----------|-----|--------------------|-------------------|--|---|
| 3 | 2 | 1 | | Sign | Mag | Sign | Mag | | | Name | # |
| 0 | 0 | 0 | S0 | 1 | 1 | S | 0 | Off | Off | Transparent Operation, Sign First, Not Scrambled | 0 |
| | | | S1 | T | T | S | S | Off | Off | | |
| | | | Active | T | T | T | T | Off | Off | | |
| 0 | 0 | 1 | S0 | 1 | 1 | S | 0 | Off | Off | Transparent Operation, Mag First, Not Scrambled | 1 |
| | | | S1 | T | T | S | S | Off | Off | | |
| | | | Active | T | T | T | T | Off | Off | | |
| 0 | 1 | 0 | S0 | 1 | 1 | S | 0 | Off | Off | Transparent Operation, Sign First, Scrambled | 2 |
| | | | S1 | T | T | S | S | Off | Off | | |
| | | | Active | T | T | S | S | Off | Off | | |
| 0 | 1 | 1 | Reserved | | | | | | | | 3 |
| 1 | 0 | 0 | S0 | 1 | 1 | S | 0 | Off | Off | Independent, Sign First, Not Scrambled | 4 |
| | | | S1 | T | T | S | S | Off | Off | | |
| | | | Active | T | T | T | T | Off | Off | | |
| 1 | 0 | 1 | S0 | 1 | 1 | S | 0 | Off | Off | Independent, Sign First, Scrambled | 5 |
| | | | S1 | T | T | S | S | Off | Off | | |
| | | | Active | T | T | S | S | Off | Off | | |
| 1 | 1 | 0 | S0 | 1 | 1 | S | 0 | On | On | E1 Framed Mode | 6 |
| | | | S1 | T | T | S | S | On | On | | |
| | | | Active | T | T | S | S | On | On | | |

NOTE: T - Transparent signals, S - Scrambled signals.

Table 22. EMDP Mode Dependent Activation Signal State (Continued)

| Mode | | | Xmit Signal | Scrambler Input | | D/A Input | | Internal Sync Word | Internal Stuffing | Mode | |
|------|---|---|-------------|-----------------|-----|-----------|-----|--------------------|-------------------|----------------|---|
| 3 | 2 | 1 | | Sign | Mag | Sign | Mag | | | Name | # |
| 1 | 1 | 1 | S0 | 1 | 1 | S | 0 | On | On | T1 Framed Mode | 7 |
| | | | S1 | T | T | S | S | On | On | | |
| | | | Active | T | T | S | S | On | On | | |

NOTE: T - Transparent signals, S - Scrambled signals.

The received data line from the EMDP is held high until the Active1 state is reached because the receiver is not fully trained. Since low error rates cannot be achieved until training is completed, data output is suppressed until the Active1 state is entered in accordance with industry standards. The EMDP, like all Intel DSL Data Pumps, continuously adapts all receiver elements except the AGC in the Active states. This allows the EMDP to perform well in the presence of significant changes in line conditions.

In Independent and Transparent modes (0, 1, 2, 4, and 5) the presence of a FSW cannot be guaranteed. In these modes the EMDP relies only on signal level and signal to noise ratio to move to the Active state. In framed modes, modes 6 and 7, the EMDP searches for the FSW after completing the 4 level detection process. When the FSW is detected in two consecutive frames the device moves to the Active1 state.

The activating state is subdivided into a number of substates. In general the two Data Pumps act as a synchronous machine, providing appropriate signals to the other end of the system during each phase of the activation. Because reliable communications between the Data Pumps is not achieved until the end of the activation process, it is not possible for the Data Pumps to signal each other that a particular process has been completed. The absence of communications between the two Data Pumps led to development of a means of synchronizing the operations of the two Data Pumps which does not require communications between them.

The status of the Activating substates of the EMDP may be determined by reading the Activating Status Register RD5 as shown in Table 23. The contents of the register RD5 may be used to monitor the progress of the training and activation sequence in each of the EMDPs.

Table 23. Details of Activating State

| ACT Bits RD5 [3:0] | EMDP Master States | | | | EMDP Slave States | | | |
|--------------------------|--------------------|---|---------|-------------|-------------------|-------------------------------------|---------|-------------|
| | Receiver State | State Description | Ends at | Xmit Signal | Receiver State | State Description | Ends at | Xmit Signal |
| 0000 | Inactive | Remains until ACTREQ is asserted | ACTREQ | None | Inactive | Remains until S0 signal is detected | LOS=0 | None |
| 0001 | Pre-AGC | Presets AGC with only local signal present | SMT1 | S0 | Wait | Trains analog AGC | SMT2 | None |
| 0010 | Pre-EC | Pre-trains echo canceler with only local signal present | SMT2 | S0 | AAGC | Continues to train analog AGC | SMT1 | S0 |

1. S0 = Two level (± 3) signal
 2. S1 = Four level ($\pm 3, \pm 1$) signal
 3. See Table 22 for the source of the S0 and S1 signals. The source of the signals is mode dependent.

Table 23. Details of Activating State (Continued)

| ACT Bits RD5 [3:0] | EMDP Master States | | | | EMDP Slave States | | | |
|---|--------------------|--|---------------|-------------|----------------------------|---|-------------|-------------|
| | Receiver State | State Description | Ends at | Xmit Signal | Receiver State | State Description | Ends at | Xmit Signal |
| 0011 | SIGDET | Waits for receipt of signal from Slave | LOS=0 | S0 | EC | Trains echo canceler and digital AGC | SMT3 | S0 |
| 0100 | AAGC | Trains analog AGC | SMT3 + TDELTA | S0 | PLL1 | Trains PLL to frequency of received signal | SMT5 | S0 |
| 0101 | EC | Trains echo canceler and digital AGC | SMT4 + TDELTA | S0 | PLL2 | Trains PLL to phase of received signal. Train DFE and FFE | SMT4 | S0 |
| 0110 | PLL | Trains PLL to phase of received signal. Train DFE and FFE. | SMT5 + TDELTA | S0 | 4LVLDDET | Detects S1. | Data Driven | S0 |
| 0111 | 4LVLDDET | Detects S1. | Data Driven | S1 | Not present in modes 0 - 5 | | | |
| 0000 | Active | Fully Active | | S1 | Active | Fully Active | | S1 |
| The following states are present only in framed modes 6 and 7 | | | | | | | | |
| 0111 | | | | | FRMDET | Waits for receipt of 2 consecutive Frame Synch Words | Data Driven | S1 |
| 1000 | FRMDET | Waits for receipt of 2 consecutive Frame Synch Words | Data Driven | | Not present in Slave Mode | | | |
| 0000 | Active | Fully Active | | S1 | Active | Fully Active | | S1 |
| 1. S0 = Two level (± 3) signal 2. S1 = Four level ($\pm 3, \pm 1$) signal 3. See Table 22 for the source of the S0 and S1 signals. The source of the signals is mode dependent. | | | | | | | | |

3.2.5.2 Normal Operation

Both Data Pumps should be in the IDLE state prior to the start of an activation sequence. Activation always begins at the Master with the assertion of ACTREQ. The Master sends the S0 signal, and presets its AGC (pre-AGC sub-state) and Echo-Canceler (EC) (pre-EC sub-state) circuits based on its own transmitted signal. The Master moves between states based on its MAT. When the Master timer has passed SMT2, it enters the SIGDET sub-state where it remains until detection of an S0 signal from the Slave.

If Master and Slave are connected and the Slave is in the Inactive state, the Slave detects the S0 signal from the Master, and starts its MAT. The Slave enters the Wait sub-state, and begins training its AGC. The Slave does not transmit any signal until MAT exceeds SMT2. At that time, the Slave transmits an S0 signal and enters the EC sub-state where the Echo canceler and the Digital AGC are trained.

The Master detects the S0 signal from the Slave, and resets the MAT to SMT2+1. This re-synchronization process assures that Master and Slave state machines will be synchronized for the remainder of the activation process. In most activation, attempts where the Slave is connected to the line and is in the Inactive state at the beginning of the activation attempt, the Slave will begin to

transmit S0 just as the Master gets to the SIGDET state and the change in the Master MAT will be minimal. If the Slave is reset or connected to the line sometime after the activation sequence has begun at the Master, the Master will remain in the SIGDET state until S0 is received or the MAT expires. If S0 is received after the Master has been in SIGDET for some time, the change in the setting of the MAT at the Master may be significant. This change in the Master reference timer, which is referred to as TDELTA in Figure 20 and Figure 21, allows the substates of the Master and Slave Data Pumps to be synchronized for the remainder of the activation sequence.

Figure 20. MDSL Activating State Detail - Unframed Modes 0,1,2,4, and 5

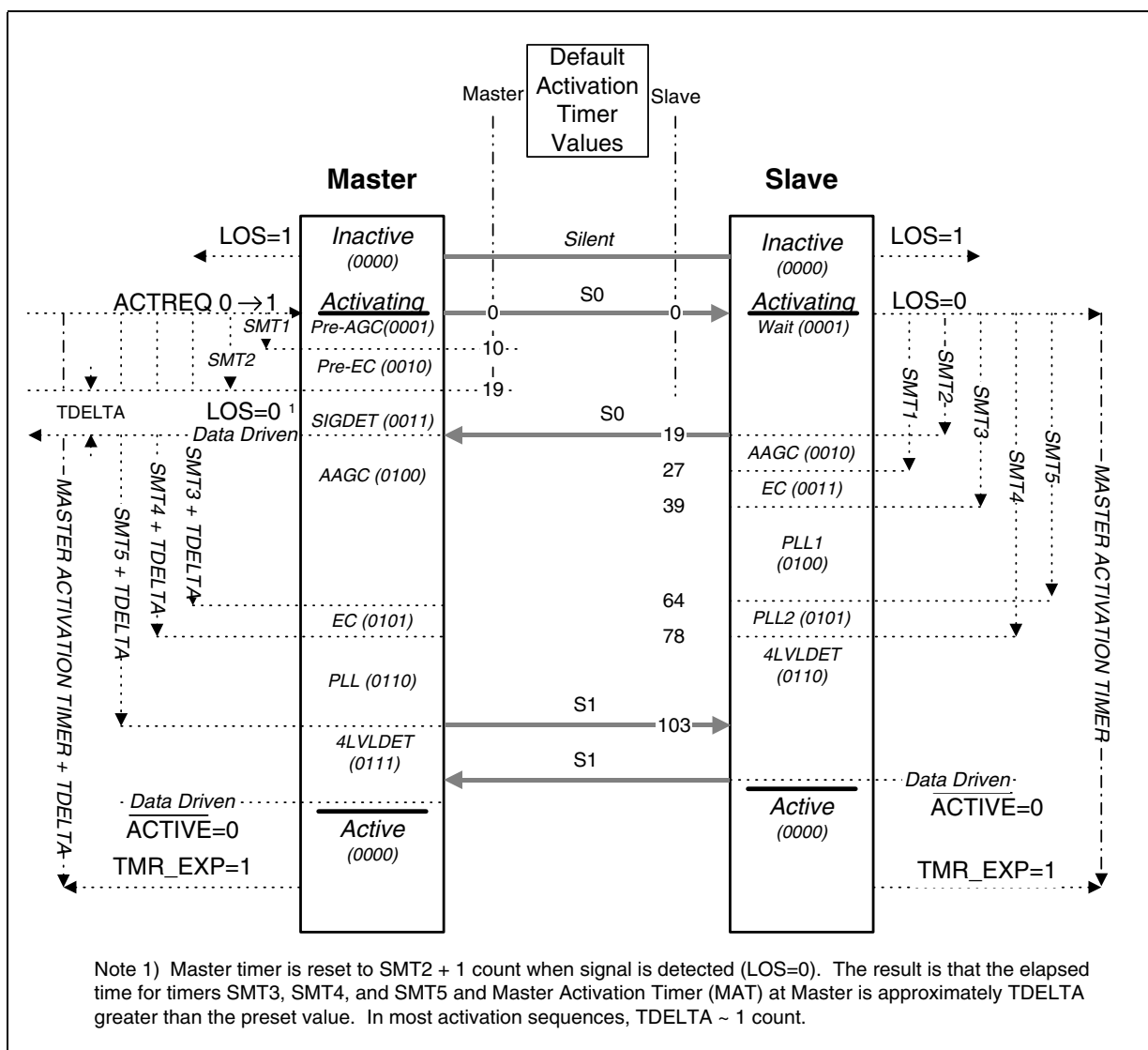
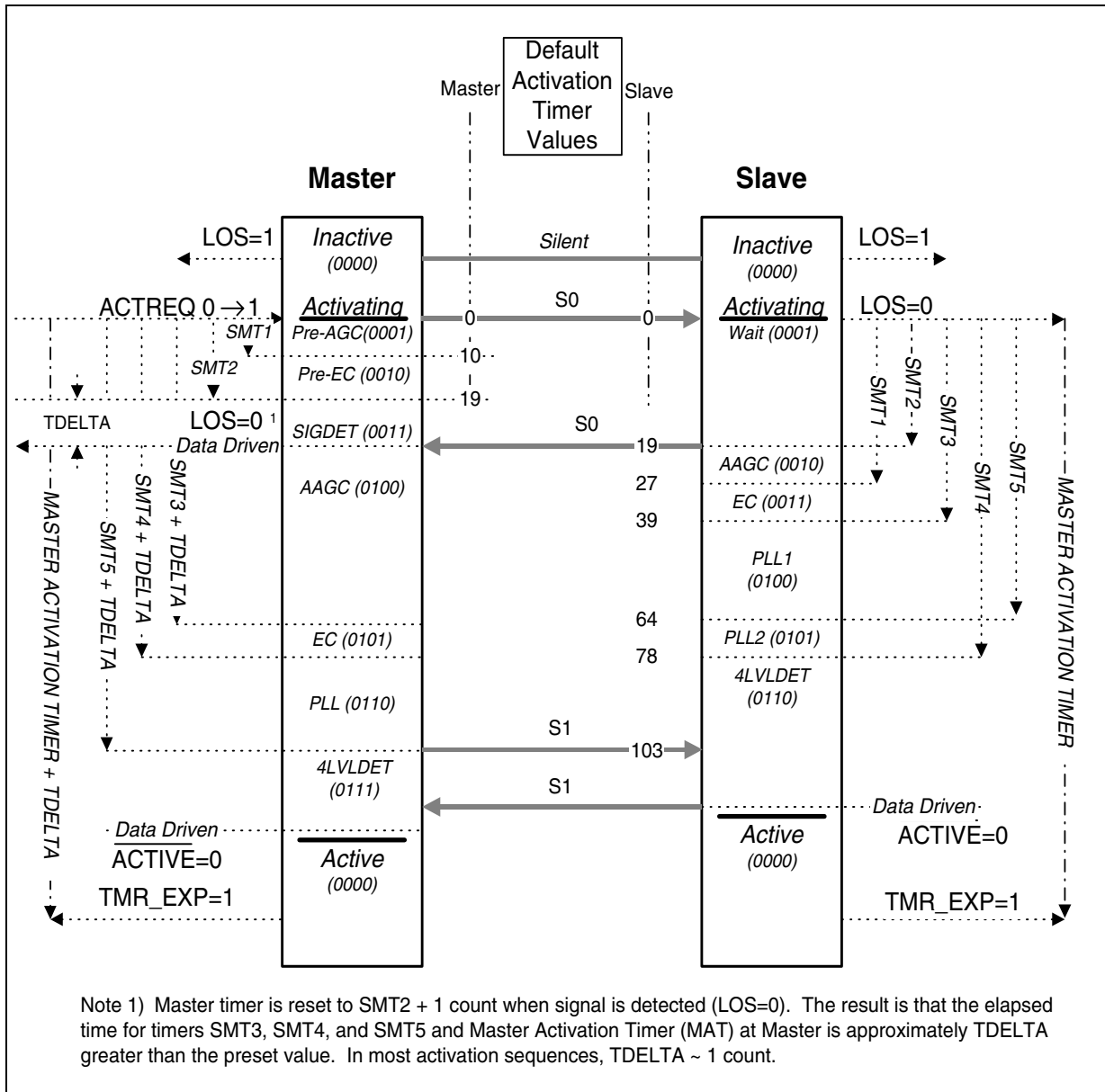


Figure 21. MDSL Activating State Detail - Framed Modes 6 and 7



The Master and Slave Data Pumps continue through the activation process as shown in Figure 20 and Figure 21. Both Data Pumps complete training of all the receiver components which can be trained with a two-level (S0) signal relying on system timers SMT2, SMT3, SMT4, and SMT5 to maintain synchronization between the Master and Slave.

After the SMT5 timers have expired, progression through the remainder of the activation states is data driven, that is, it relies on receipt of a particular signal from the other end to move to the next sub-state. The Slave enters the 4LVLDET sub-state and waits for receipt of a four level (S1) signal

from the Master. On receipt of this signal the Slave completes training of the DFE and 4 level slicer then begins to transmit an S1 signal. The Master detects the S1 signal from the Slave and then completes training of the DFE and 4 level slicer.

The EDSP also allows the designer to specify the length of time the Data Pump spends in each of the activating substates. The default times have been optimized for best performance at either 784 kbps or 1168 kbps in the framed modes (modes 7 and 6). Reliable operation has been demonstrated using the default values at all data rates between 272 kbps and 1168 kbps in unframed modes using the default timing. Overall activation time can be reduced for certain applications by reducing the activation times of the individual states. Table 24 gives the information required to select timer values for each of the activating substates. After settings for each of the individual sub-state timers has been optimized, the Master Activation Timer may be optimized to minimize the time required between sequential activation attempts.

Table 24. Activating Sub-state Timers

| Timer | Default Count (Decimal) | Default Timer Values (seconds) vs. Data Rate Operating Modes 0 through 5 and 7 | | | | | | Mode 6 Only |
|------------------|-------------------------|--|------|------|------|------|------|-------------|
| | Data Rate | 272 | 400 | 520 | 656 | 784 | 1168 | 1168 |
| Master | | | | | | | | |
| SMT1 | 10 | 2.8 | 1.9 | 1.5 | 1.1 | 1.0 | 0.6 | 1.0 |
| SMT2 | 19 | 5.3 | 3.6 | 2.8 | 2.2 | 1.8 | 1.2 | 1.8 |
| SMT3 | 65 | 18.0 | 12.2 | 9.6 | 7.5 | 6.2 | 4.2 | 6.2 |
| SMT4 | 78 | 21.6 | 14.7 | 11.5 | 8.9 | 7.5 | 5.0 | 7.5 |
| SMT5 | 103 | 28.5 | 19.4 | 15.1 | 11.8 | 9.9 | 6.6 | 9.9 |
| Slave | | | | | | | | |
| SMT1 | 27 | 7.5 | 5.1 | 4.0 | 3.1 | 2.6 | 1.7 | 2.6 |
| SMT2 | 19 | 5.3 | 3.6 | 2.8 | 2.2 | 1.8 | 1.2 | 1.8 |
| SMT3 | 39 | 10.8 | 7.3 | 5.7 | 4.5 | 3.7 | 2.5 | 3.7 |
| SMT4 | 78 | 21.6 | 14.7 | 11.5 | 8.9 | 7.5 | 5.0 | 7.5 |
| SMT5 | 64 | 17.7 | 12.0 | 9.4 | 7.3 | 6.1 | 4.1 | 6.1 |
| Increment | 1 | 0.28 | 0.19 | 0.15 | 0.11 | 0.10 | 0.06 | 0.10 |

3.2.5.3 Transition to the Active State

The actions following detection of the S1 signal vary depending on the operating mode of the system. The following sections describe the operation in both modes.

Unframed Signal (Modes 0,1,2,4,5)

Both Master and Slave move directly to the Active state on completion of the 4LVLDET training functions. The devices remain in the Active state even after MAT expires. Received data are available, and the ACTIVE indicator is asserted Active state.

Framed Signal (Modes 6,7)

Both Master and Slave move directly to the FRAMEDET sub-state on completion of the 4LVLDET training functions. The devices begin executing their internal algorithm to search for the FSW. As soon as the FSW is detected in the appropriate place in two consecutive frames, the device moves to the Active1 state. The devices remain in the Active1 state until the MAT expires, then move to the Active2 state. Received data are available, and the ACTIVE indicator is asserted in both the Active1 and Active2 states. The only difference between the Active1 and Active2 states is the status of the MAT.

The EMDP provides a mean for abnormal termination of the activation process. Expiration of the MAT will cause immediate termination of the activation process. When MAT expires, the EMDP moves directly to the Deactivated state.

Table 25 illustrates the management of the MAT. WR3[5:6] is used to program the MATC. The programmed value of MATC, as described in Table 10 is used to calculate the MAT as follows:

$$\text{MAT} = \text{MATC} * \text{FL} * \text{T}$$

Where:

- MATC = Number from Table 10
 FL = 4704 bits for operating modes 0, 1, 2, 4, 5, & 7; 7008 for operating mode 6.
 T = Length of the period of the bit clock

Table 25. Master Activation Timer Examples

| Bits WR3 [6:5] | Data Mode | MATC | Frame Length | Line Rate (kbps) | Bit Clock Period | MAT (Seconds) |
|----------------|-----------|------|--------------|------------------|------------------|---------------|
| 00 | 0:5,7 | 5000 | 4704 | 784 | 1.275 us | 30 |
| 01 | 0:5,7 | 2500 | 4704 | 784 | 1.275 us | 15 |
| 10 | 0:5,7 | 1667 | 4704 | 784 | 1.275 us | 10 |
| 11 | 0:5,7 | 833 | 4704 | 784 | 1.275 us | 5 |
| 00 | 0:5,7 | 5000 | 4704 | 1168 | 0.856 us | 20 |
| 00 | 6 | 5000 | 7008 | 1168 | 0.856 us | 30 |
| 00 | 0:5,7 | 5000 | 4704 | 272 | 3.676 us | 86.5 |
| 11 | 0:5,7 | 833 | 4704 | 272 | 3.676 us | 14.4 |

Table 26. State Machine Default Timer Durations (Figure 18 and Figure 19)

| Timer | Default ¹ Timer Duration (seconds) | | | | | | Description |
|-----------------------------------|---|----------|----------|----------|--------------------|----------------------|---|
| | 272 kbps | 400 kbps | 528 kbps | 784 kbps | 1168 kbps (framed) | 1168 kbps (unframed) | |
| MAT ² | 86.5 | 59.0 | 44.5 | 30.0 | 30.0 | 20.0 | Master Mode: Starts with an activation request. Reset for synchronization when a signal from the Slave is detected. Slave Mode: Starts when a signal from the Master is detected. |
| Deactivation Timer ^{3,4} | 6.0 | 4.0 | 3.0 | 2.0 | 2.0 | 1.3 | Starts when the EDSP enters the Pending Deactivation state due to Loss of Synchronization Word for 6 consecutive frames. Occurs only in framed modes 6 and 7. |
| LOS Timer ⁵ | 3.0 | 2.0 | 1.5 | 1.0 | 1.0 | 0.7 | Master Mode Only: Starts in Deactivated state when signal from the Slave is no longer detected. Set to 0 whenever signal from the Slave is detected. Restarts when signal is no longer detected. |

1. See [Table 10](#) and [Table 25](#) for information on changing the MAT from its default values.
 2. If time elapses and Data Pump has not moved to Active1 state, the Data Pump enters the Deactivated state.
 3. Pending Deactivation can be reached from either Active1 or Active2 states in framed modes 6 and 7.
 4. If synchronization word detection does not occur before time elapses, the Data Pump moves to the Deactivated state.
 5. When the Data Pump fails to activate, there is no waiting period in the Deactivated state; the Data Pump immediately goes to the Inactive state.

If MAT expires, or signal is lost before the Active1 state is reached, the EMDP moves directly to the Deactivated state and ceases transmission. The Master remains in the Deactivated state until the LOS timer has expired ([Table 26](#)). The Slave transitions to the Inactive state as soon as the presence of signal on the line is no longer detected.

In framed modes frame synchronization may be lost during a signal interruption. If this occurs, the EDSP will begin the frame re-synchronization process, as described in the next section.

3.2.6 Frame Synchronization

[Figure 22](#) shows the EMDP Synchronization State Machine. [Table 27](#) shows the correspondence between the Synchronization states and Activation states. The same Synchronization states are used in both the Master and Slave Data Pumps, but only when the EMDP is operating in the framed modes 6 and 7.

Starting at the initial Out-of-Sync condition (State 6), the device progresses through State 7 until two consecutive FSW are detected and then Synchronization is declared in State 0.

Table 27. Activation and Synchronization States

| Activation State | Synchronization States |
|----------------------|-----------------------------|
| Active | States 0, 1, 2, 3, 4, and 5 |
| Pending Deactivation | States 6 |

Once the In-Sync condition is achieved, failure to detect an FSW causes the EMDP to move to State 1. Each subsequent failure to detect an FSW at the appropriate time advances the state machine one step through States 1 to 5. If an FSW is detected at any time before State 6 is reached

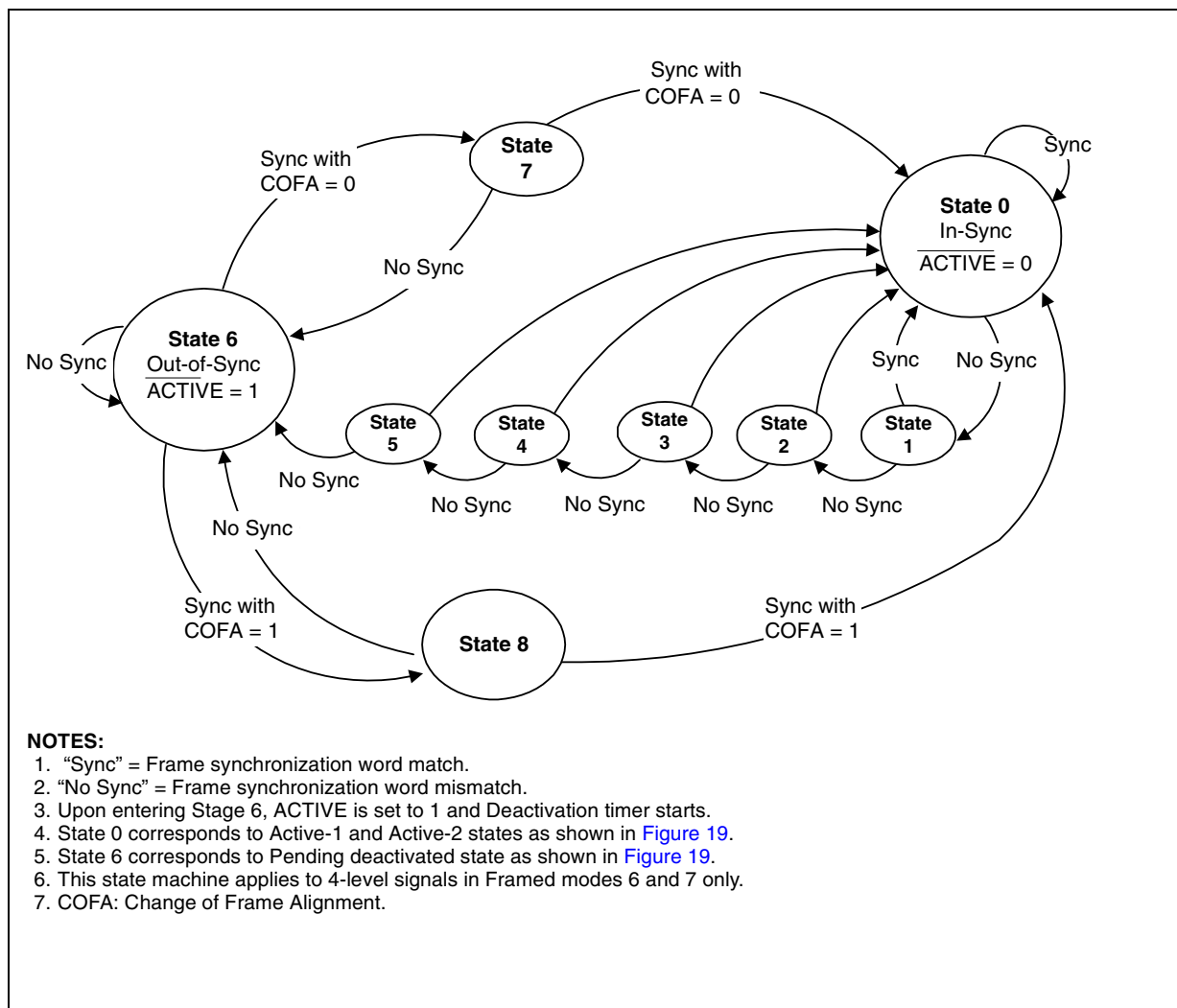
the EMDP goes directly back to State 0. An Out-of-Sync condition is declared in State 6, which is reached when no FSW is detected for six consecutive frames. As soon as State 6 of the synchronization state machine is reached the EMDP goes to the Pending Deactivation state of the Activation state machine and activates the Deactivation Timer described in Table 26.

If the deactivation timer expires without re-establishing frame synchronization, the Activation State Machine progresses to Deactivated state.

synchronization state returns to State 0.

If frame synchronization is re-established before the deactivation timer expires, the EDSP will return to the In-Sync condition (State 0) through State 7 if two consecutive frames are received without any change of frame alignment (COFA = 0). If a change of frame alignment does occur (COFA = 1), two consecutive matches are required to move through State 8 back to State 0.

Figure 22. MDSL Synchronization State Machine



3.2.7 Deactivation

The EDSP may be deactivated by using control signals to stop transmission on the loop or by the expiration of MAT. This section describes method of deactivation.

“Normal” Deactivation takes place when the QUIET control is asserted. QUIET may be asserted using an input signal in hardware control mode or by setting a register bit (WR0:B1) in processor control mode. Deactivation may be initiated at either the Master or the Slave Data Pump.

When QUIET is asserted the Data Pump moves from the present state directly to the Deactivated state. In this state no signal is transmitted. A Slave Data Pump stays in the deactivated state until there is no received signal (LOS=1). A Master Data Pump remains in the Deactivated state until it detects that no signal is being received from the Slave. The Master then starts its LOS timer ([Table 26](#)). When the LOS timer expires the Data Pump moves to the Inactive state. If a received signal is detected while the LOS timer is active, the LOS timer is reset and starts from zero when absence of signal is again detected. The delay before moving to the Inactive state ensures that the line has been quiet at the Master for a reasonable length of time before a new activation attempt occurs.

3.3 Special Features

3.3.1 Micro-interruption

The EMDP transient interruption protection process, which provides superior protection against short interruptions in the received signal, is integrated into the loss of signal processing.

The EDSP monitors the received SNR on every baud. Whenever the noise margin drops below -6 dB, the EDSP freezes all the adaptive coefficients, moves to the Time-out state and starts the MIT as described in [Table 13](#) and [Table 28](#). If the noise margin rises above -3 dB while in the Time-out state the EDSP returns to the state from which it entered Time-out. The EDSP then allows the coefficients to begin adapting again and begins to realign the phase of the local clock with the phase of the received signal. If the received SNR does not increase above the -3 dB threshold before MIT expires, the EDSP goes directly to the Deactivated state. Once in the Deactivated state, transition to the Inactive state occurs in the manner described above in the section on Deactivation.

The only industry specification for the performance in the presence of short signal interruptions is the micro-interruption test included in the ETSI ETR-152 standard ([Figure 23](#)). This test is specifically intended to simulate momentary open circuits caused by problems with splices in twisted pair wires. In practice, DSL system problems are often due to other causes such as momentary shorts on the line or nearby lightning strikes which may last much longer than the ETSI specified line interruptions. Systems manufactured using the EDSP will pass the ETSI test using the default values for MIT. In addition, the EDSP gives system manufacturers the ability to program the MIT to further increase the micro-interruption capability. Since the signal may be lost for many reasons and since the line conditions may change after an interruption it is not possible to guarantee restoration of service when the cause of the problem is removed. In addition, the phase relationship of the Master and Slave clocks will drift during the interruption, so it is necessary to reacquire the phase of the received signal at the end of the interruption. The EDSP allows the system manufacturer to set the duration of a timer which provides the best trade-off between recovery from short loss of signal events and quick preparation for reactivation in the event transmission cannot be reestablished.

System manufacturers should determine the value for MIT which provides good recovery performance in the test circumstances of interest. Larger values of MIT may be effective in some circumstances, but not all. Since the ultimate performance is based on the nature of the signal interruption and system characteristics outside the Data Pumps, it is not possible to specify an optimum value for MIT for all systems and all data rates.

The EMDP stays in the Time-out state until the MIT expires. The MIT functions by counting baud periods until the value stored in MITR is exceeded. The MIT is a 19 bit counter. The comparison is carried out using only the 8 MSBs of the counter. Stated differently, the time represented by the LSB of the MIT register is 2048 periods of the EMDP baud clock.

For example: When operating at 784 kbps, the length of one baud is $2.55 \mu\text{sec}$, $2048 \times 2.55 \sim 5 \text{ msec}$, so MIT can be set in increments of approximately 5 msec. Setting MIT to 0 forces the micro-interruption state to end approximately 5 msec after it began. Table 28 shows values of MIT for a variety of data rates and desired timer expirations. The ability to set MIT register to a particular value does not insure that the EMDP will be able to recover timing and resume operation after an interruption of that duration.

MITR must be programmed before activating the data pump with the same value on both the master and slave sides.

Figure 23. Micro-interruption as Defined in ETR-152

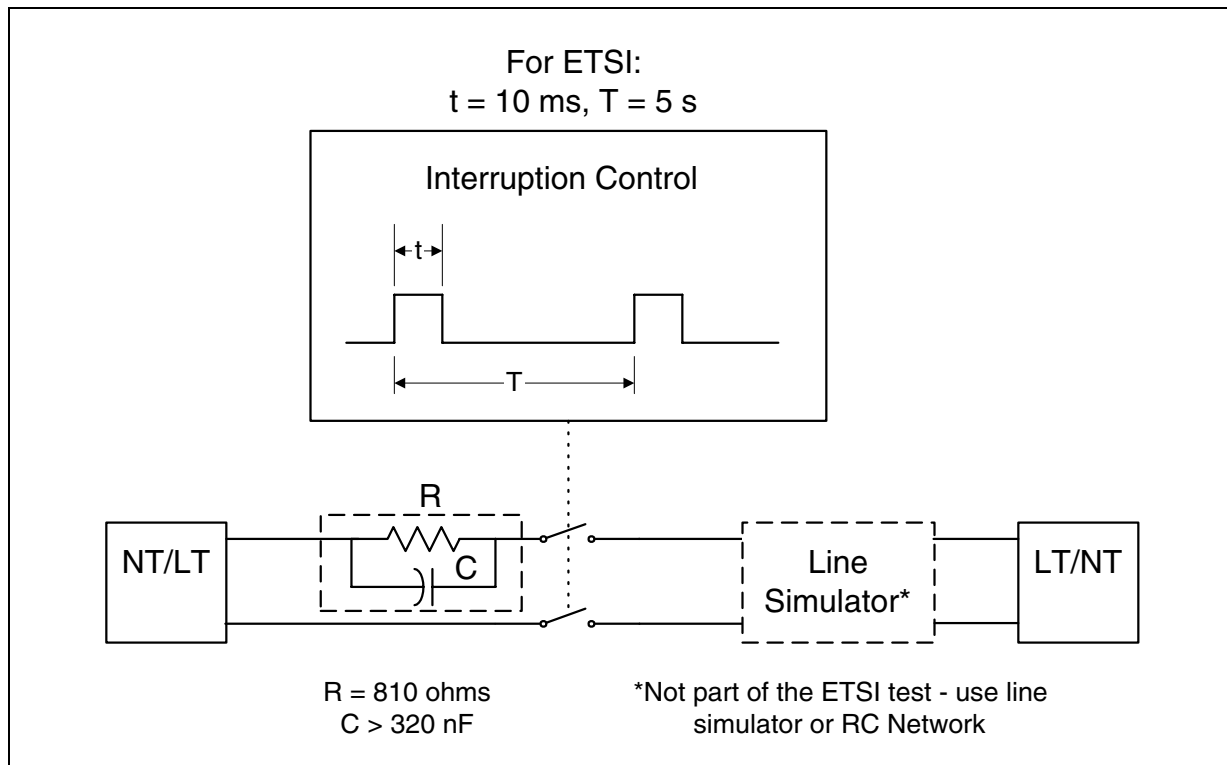


Table 28. MIT Register Setting Example

| Line Rate (kbps) | Baud Period (μsec) | Increment value (msec) | MIT Register Setting which first exceeds the period indicated (decimal) | | | | |
|---------------------|--------------------|------------------------|---|----|----|-----|------|
| | | | 25 | 50 | 75 | 100 | 1000 |
| Desired MIT (msec): | | | | | | | |
| 272 | 7.35 | 15 | 1 | 3 | 4 | 6 | 66 |
| 400 | 5.00 | 10 | 2 | 4 | 7 | 9 | 97 |
| 528 | 3.78 | 8 | 3 | 6 | 9 | 12 | 128 |
| 784 | 2.55 | 5 | 4 | 9 | 14 | 19 | 191 |
| 1,168 | 1.71 | 4 | 7 | 14 | 21 | 28 | N/A |

3.3.2 Loopbacks

The EMDP chip set provides analog and digital loopbacks for system diagnostic purposes. The analog Front End Loopback (FELB) loops the transmitted analog signal back towards the digital interface, while the digital Back End Loop Back (BELB) loops the signal back toward the DSL loop.

In FELB the IAFE receiver input is disabled while the balance network input remains active. The line driver output is normally coupled back into the balance input through external components, looping the transmitted data (TDATA plus any framing signal) back into the receiver and eventually back to RDATA. In FELB the Data Pump receiver activates with its own transmit data and ignores any signal present at the IAFE receiver. Data is transmitted on the line during FELB. The far end (Slave) Data Pump may activate in response to the signal transmitted from the unit under test. FELB is available only at the Master Data Pump. FELB is initiated only from the Inactive state by asserting the FELB and the ACTREQ signals.

BELB is a data loopback inside the EDSP. Data received by the IAFE is processed through the EDSP and then retransmitted on the DSL loop. BELB is available in both Master and Slave mode at any time the Data Pump is Active. In BELB, the received data and framing signals are supplied to the transmitter which ignores the TDATA and TFP inputs. Receive Data is also available on RDATA during BELB. BELB is initiated by asserting BELB control. [Figure 24](#) shows both the FELB and BELB Loopbacks.

3.3.3 TIP/RING Reversal

DSL systems are designed to have the tip and ring leads connected directly, tip at the Master connected to tip at the Slave and ring at the Master connected to the ring at the Slave. In some installations the connection may be reversed, with tip connected to ring and vice versa. If this condition is not detected and corrected, the receiver will improperly sense the sign of the received signal. The EDSP automatically detects and corrects this condition in framed mode by sensing the polarity of the framing signal and performing appropriate corrections.

In Transparent and Independent modes the EDSP is unable to detect the condition of the connection from the received signal since no framing signal is defined. The EDSP allows the application to invert the sense of the received signal by setting bit 7 in the Interrupt Mask and Line Reversal Register (WR2). [Table 9](#) describes the use of this register.

3.3.4 Loop Loss and SNR

In software control mode, EMDP provides information to compute approximate loop loss and SNR. The approximate loop loss (LL) can be calculated as follows:

$$LL = 20 \cdot \log_{10} (\text{DAGC} \cdot \text{AGC tap}) + \text{AAGC} + k \text{ dB.}$$

Where:

k = 24 dB if 6 dB receiver gain is disabled.

k = 30 dB if 6 dB receiver gain is enabled.

The value of DAGC and AAGC are calculated as shown in the description of register RD6. See [Table 20](#).

The value of AGC tap is calculated as shown in the description of register RD1. See [Table 16](#).

The signal levels inside the EDSP are dependent on both the line attenuation, and the circuit components outside the EMDP chip set. System manufacturers should calibrate the line attenuation reading using a null loop and other test arrangements with known attenuation and introduce a correction factor (modify k) appropriate for each system implementation. Note that the EDSP relies most heavily on peak pulse amplitude attenuation in performing this calculation. This attenuation is not the same as the attenuation measured at any particular frequency. In most applications and on most loops, attenuation measurements at 20% of the bit rate (157 kHz for a 784 kbps line rate) give a good approximation of the pulse attenuation.

The SNR is computed as follows:

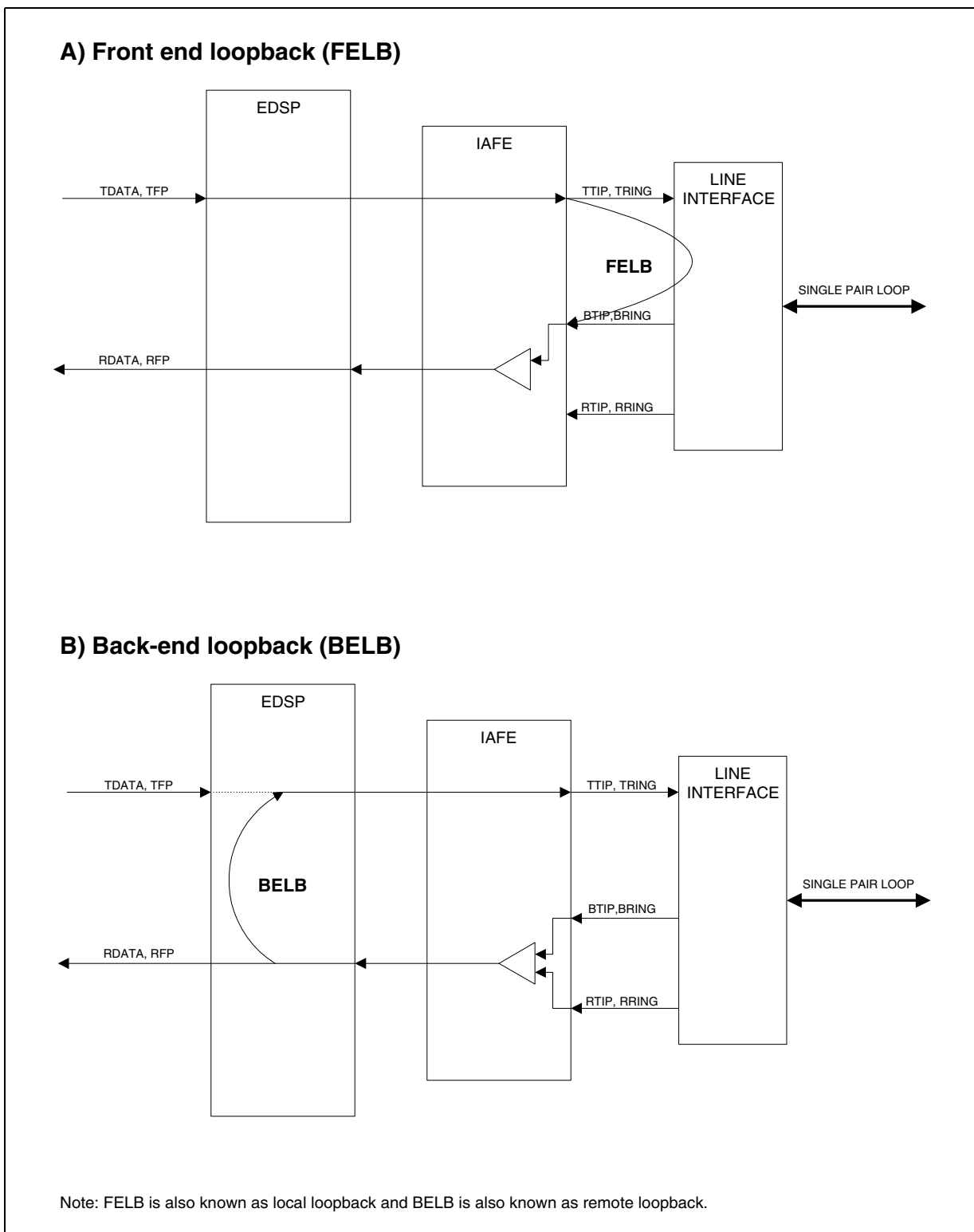
SNR = Noise Margin + 21.5 dB; when WR9 is set to 00h, indicating that receiver gain is set to 0 dB (default).

SNR = Noise Margin + 15.5 dB; when WR9 is set to 0Fh, indicating that receiver gain is set to 6 dB.

Error propagation in the DFE and descrambler may introduce some fractional errors in this formula. The relationship between the SNR and the noise margin remains valid as long as the noise is White Gaussian noise.

Since the period of the noise margin calculation is very short (64 bauds), it is recommended that 1000 samples be averaged for evaluating the operating SNR.

Figure 24. Loopbacks



4.0 Application Information

4.1 PCB Layout

The following are general considerations for PCB layout using the EMDP chip set:

- Refer to [Figure 25](#) & [Figure 26](#), and [Table 29](#).
- Use a four-layer or more PCB layout, with embedded power and ground planes. Bring the digital power and ground planes over to include pins 1-6 and 24-28 of the IAF.
- Break up the power and ground planes into the following regions. Tie these regions together at the common point where power connects to the circuit:
 - Digital Region
 - Analog Region
 - VCXO subregion
 - IAFE, Line I/F, and IBIAS subregion
- Use larger “feed through” (via) and tracks for connecting the power and ground planes to the power and ground pins of the ICs than for signal connections. Place the decoupling capacitors right at the feed-through power/ground plane ties, or on the tracks to the IC power/ground pins as close to the pins as possible.
- On the User Interface Connector, route digital signals to avoid proximity to the TIP, RING, and CT lines.
- Provide at least 100 μF or more of bulk power supply decoupling at the point where power is connected to the Data Pump circuit.

4.1.1 Digital Section

- Keep all digital traces separated from the analog region of the Data Pump layout.
- Provide high frequency decoupling capacitors (0.01 μF ceramic or monolithic) around the EDSP as shown in [Figure 26](#) and [Figure 27](#).

4.1.2 Analog Section

The analog section of the PCB consists of the following subsections:

1. IAFE and power supply decoupling capacitors.
2. Bias Current Generator.
3. Voltage Controlled Crystal Oscillator.
4. Line Interface Circuit.
 - Route digital signals AD0, AD1, SRCTL_FS, SER_CTL, TSGN, TMAG, TX_CLK, and AGC_SET on the solder side of the PCB, and route all analog signals on the component side as much as possible.
 - Route the following signal pairs as adjacent traces but keep the pairs separated from each other as much as possible:

- TTIP/TRING
- BTIP/BRING
- RTIP/RRING
- Do not run the analog ground plane under the transformer line side to maximize high voltage isolation.
- The IAFE should be placed such that pin 1 is near pin 23 of the EDSP and pins 12-18 are near the edge of the PCB, with the line transformer and connector.

4.2 Typical Application

The EMDP can be used in many applications which are shown on page one of this data sheet. Typical Data Pump circuit remains the same in most of the applications. [Figure 26](#) and [27](#) show typical application schematics. [Table 29](#) through [Table 33](#) describe the components used in these typical applications. Circuits shown in [Figure 26](#) and [Figure 27](#) can be used at all the line rates and meet the ITU G.991.1, ANSI Committee T1E1.4-TR28 (T1E1.4/96-006), and ETSI ETR-152 requirements. The circuit shown in [Figure 27](#) has improved performance in noise free environment at line rates below 784 Kbps. Refer to application note 76 for further details. The schematics show two tri-state buffers and one inverter to enable the use of the same circuit for either Master or Slave.

Figure 25. PCB Layout Guidelines (Figure 26 for schematic)

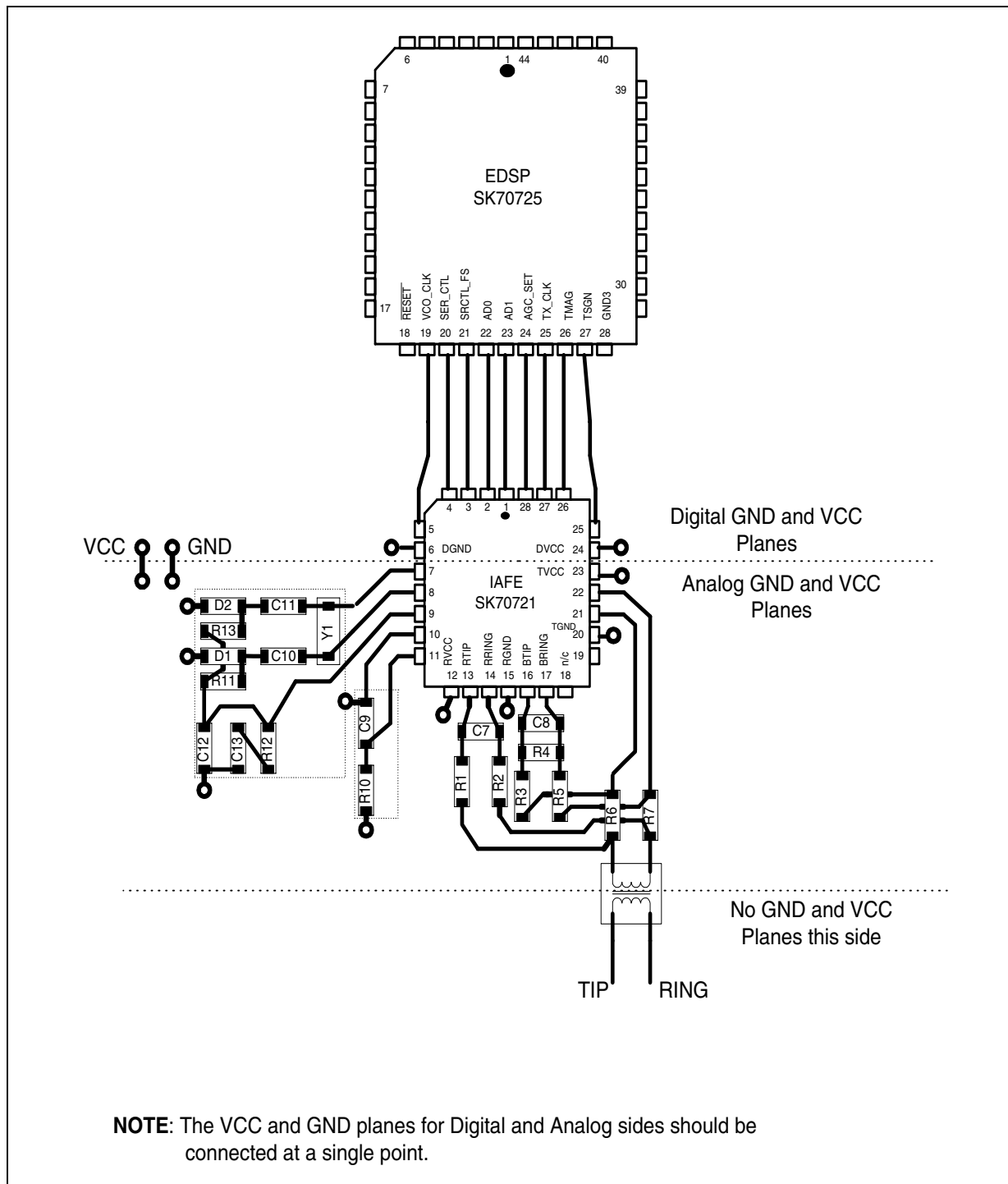
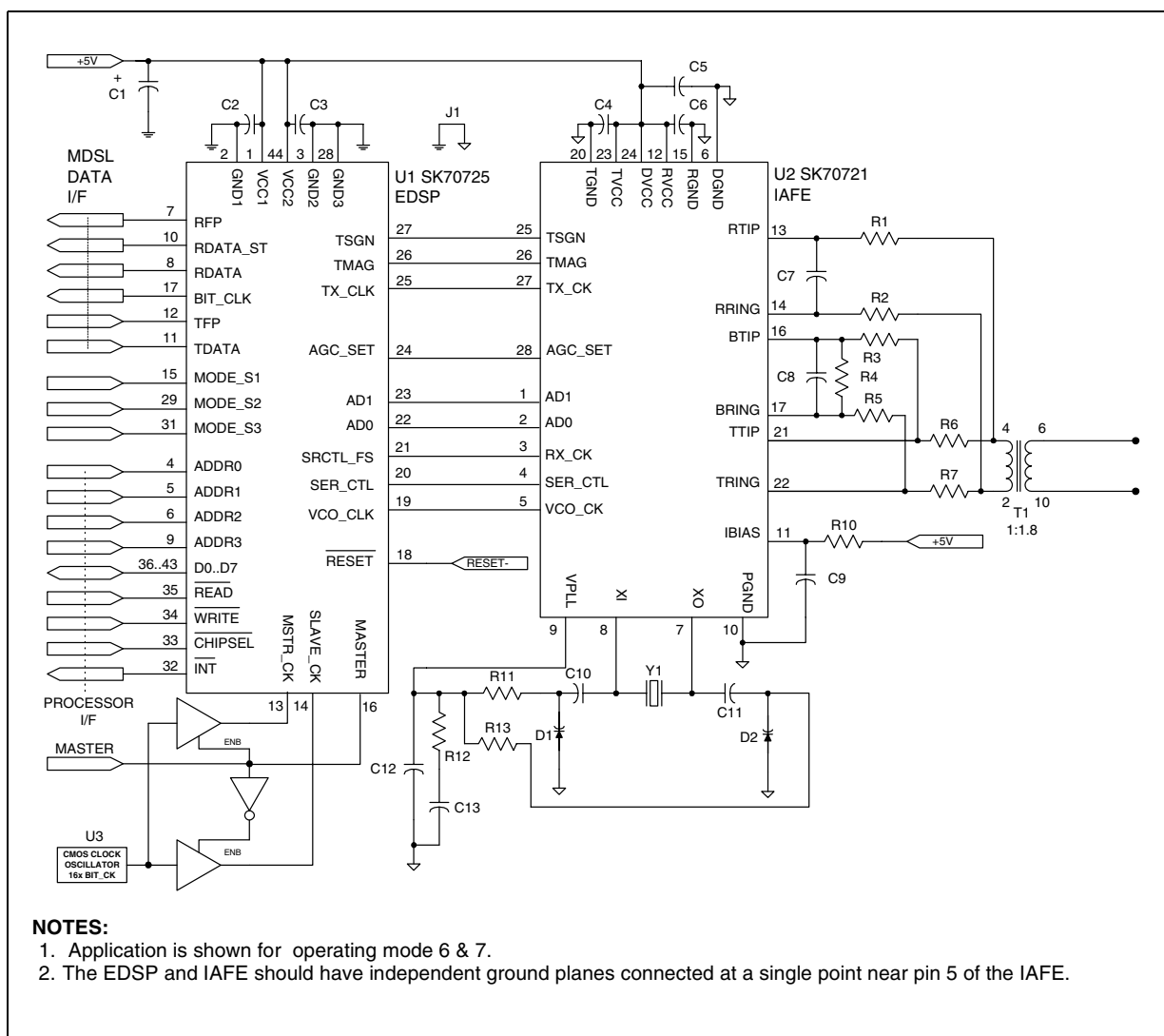


Figure 26. Typical Application (Software Mode)



NOTES:

1. Application is shown for operating mode 6 & 7.
2. The EDSP and IAFE should have independent ground planes connected at a single point near pin 5 of the IAFE.

Table 29. Components for Typical Application (Figure 26)

| Ref | Description | Ref | Description | Ref | Description |
|-----------|---|---------|----------------------|-------|--|
| C2, 3, 12 | 0.01 μ F, ceramic, 10% | R12 | 5.11 k Ω , 1% | D1, 2 | Tuning Diode (Motorola MV209) |
| C13 | 100 μ F, electrolytic, 20% low leakage $\leq 5 \mu$ A @ 25 $^{\circ}$ C | R10 | 35.7 k Ω , 1% | U3 | Clock Oscillator (Comclock, Inc.) 1168 Kbps: p/n - CM31CF - 18.688 MHz 784 Kbps: p/n - CM31CF - 12.544 MHz 528 Kbps: p/n - CM31CF - 8.448 MHz 400 Kbps: p/n - CM31CF - 6.4 MHz 272 Kbps: p/n - CM31CF - 4.352 MHz |
| | | R11, 13 | 20.0 k Ω , 1% | | |
| C10, 11 | 1000 pF, ceramic, 20% | R1, 2 | 301 Ω , 1% | | |

Table 29. Components for Typical Application (Figure 26) (Continued)

| Ref | Description | Ref | Description | Ref | Description |
|---------|---------------------------|--------------------|-------------|-----|---|
| C7, 8 | 470 pF, COG or mica, 10% | R6, 7 ¹ | 20 Ω, 1% | Y1 | Pullable Crystal 1168 kbps: 37.376 MHz (pn:8125611) 784 kbps: 25.088 MHz (pn:80546/1) 528 kbps: 16.896 MHz (pn:81522/1) 400 kbps: 12.800 MHz (pn:80546/5) 272 kbps: 8.704 MHz (pn:81523/1) (Hy-Q International) |
| C4-6, 9 | 0.1 μF, ceramic, 10% | R3, 5 | 604 Ω, 1% | | |
| C1 | 100 μF, electrolytic, 20% | R4 | 909 Ω, 1% | T1 | 1:1.8 Transformer 400 kbps < Line rate < 784 kbps: Midcom 671-7376 or Pulse Engineering PE-68614. Line rate = 1168 kbps: Midcom 671-7671 or Pulse Engineering PE-68650. Line rate < 400 kbps: Midcom 50109. |

Figure 27. Typical Application (Optimized for noise free performance)

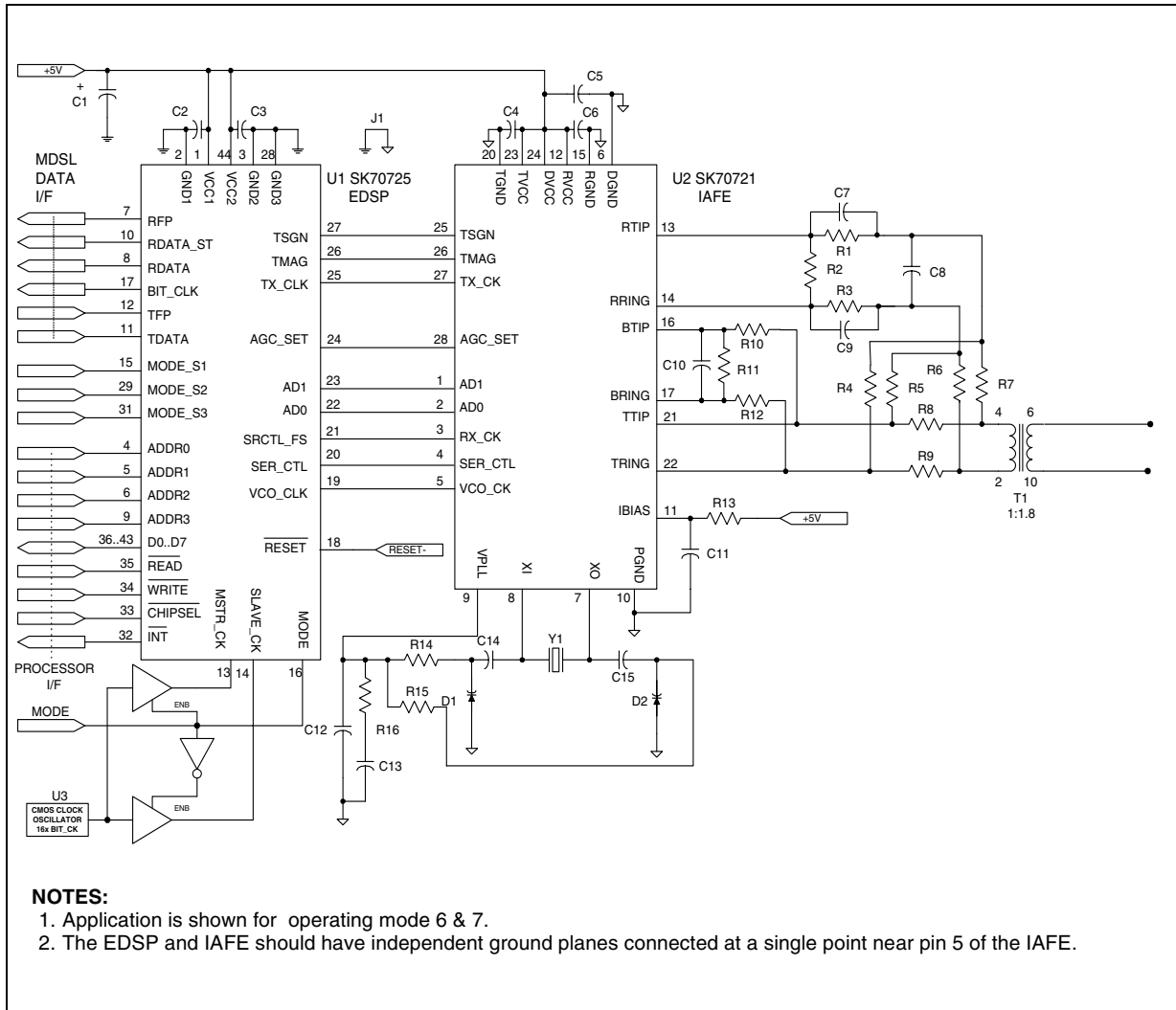


Table 30. Components for Typical Application (Figure 27)

| Ref | Description | Ref | Description | Ref | Description |
|-----------|---|----------|----------------------|-------|---|
| C2, 3, 12 | 0.01 μ F, ceramic, 10% | R16 | 5.11 k Ω , 1% | D1, 2 | Tuning Diode (Motorola MV209) |
| C13 | 100 μ F, electrolytic, 20% low leakage \leq 5 μ A @ 25° C | R13 | 35.7 k Ω , 1% | Y1 | Pullable Crystal 1168 kbps: 37.376 MHz (pn:8125611) 784 kbps: 25.088 MHz (pn:80546/1) 528 kbps: 16.896 MHz (pn:81522/1) 400 kbps: 12.800 MHz (pn:80546/5) 272 kbps: 8.704 MHz (pn:81523/1) (Hy-Q International) |
| | | R14, 15 | 20.0 k Ω , 1% | | |
| C14, 15 | 1000 pF, ceramic, 20% | R1, 2, 3 | 26.1 K Ω , 1% | | |
| C10 | 470 pF, COG or mica, 10% | R8, 9 | 20 Ω , 1% | | |
| C11, 4-6 | 0.1 μ F, ceramic, 10% | R10, 12 | 51.1 K Ω , 1% | U3 | Clock Oscillator (Comclock, Inc.) 1168 Kbps: p/n - CM31CF - 18.688 MHz 784 Kbps: p/n - CM31CF - 12.544 MHz 528 Kbps: p/n - CM31CF - 8.448 MHz 400 Kbps: p/n - CM31CF - 6.4 MHz 272 Kbps: p/n - CM31CF - 4.352 MHz |
| C1 | 100 μ F, electrolytic, 20% | R11 | 7.87 k Ω , 1% | T1 | 1:1.8 Transformer 400 kbps < Line rate < 784 kbps: Midcom 671-7376 or Pulse Engineering PE-68614. Line rate = 1168 kbps: Midcom 671-7671 or Pulse Engineering PE-68650. Line rate < 400 kbps: Midcom 50109. |
| C7, 9 | 1500 pF, COG or mica, 10% | R4, 5 | 2.0 k Ω , 1% | | |
| C8 | 270 pF, COG or mica, 10% | R6, 7 | 1.0 k Ω , 1% | | |

4.2.1 Transformer Specifications

Table 31. Typical Transformer Specifications (Figure 26 and Figure 27)

| Parameter | Line rate 272 kbps | | Line rate 784 kbps | | Line rate 1168 kbps | |
|--------------------------|---------------------|----------------|---------------------|----------------|---------------------|----------------|
| | Value | Test Condition | Value | Test Condition | Value | Test Condition |
| Turns Ratio (IC:Line) | 1:1.8 \pm 1% | | 1:1.8 \pm 1% | | 1:1.8 \pm 1% | |
| Line Side Inductance | 8.8 mH \pm 10% | | 3.0 mH \pm 10% | | 2.0 mH \pm 10% | |
| Leakage Inductance | \leq 30 μ H | 100 kHz | \leq 30 μ H | 100 kHz | \leq 30 μ H | 100 kHz |
| Interwinding Capacitance | \leq 20 pF | | \leq 20 pF | | \leq 20 pF | |
| THD | \leq -70 dB | 5 kHz | \leq -70 dB | 5 kHz | \leq -70 dB | 5 kHz |
| Longitudinal Balance | \geq 50 dB | 5-68 kHz | \geq 50 dB | 5-196 kHz | \geq 50 dB | 5-292 kHz |
| Return Loss | \geq 20 dB | 40-200 kHz | \geq 20 dB | 40-200 kHz | \geq 20 dB | 40-200 kHz |
| Isolation | 1500 VRMS | | 1500 VRMS | | 1500 VRMS | |
| Chip Side DC Resistance | \leq 3.2 Ω | | \leq 3.2 Ω | | \leq 3.2 Ω | |
| Line Side DC Resistance | \leq 6.0 Ω | | \leq 6.0 Ω | | \leq 6.0 Ω | |
| Operating Temperature | -40 to +85° C | | -40 to +85° C | | -40 to +85° C | |

4.2.2 Crystal Specifications

Table 32. Typical Crystal Specifications (Figure 26 and Figure 27)

| Parameter | Line rate 272 kbps | Line rate 784 kbps | Line rate 1168 kbps |
|----------------------------------|---------------------------------|---------------------------------|---------------------------------|
| Frequency @ CL = 20 pF | 8.704 MHz. Offset: -0, +40 ppm | 25.088 MHz. Offset: -0, +40 ppm | 37.376 MHz. Offset: -0, +40 ppm |
| Mode | Fundamental, Parallel Resonance | Fundamental, Parallel Resonance | Fundamental, Parallel Resonance |
| Pullability (CL = 24 pF ⇔ 16 pF) | ≥ +160 ppm | ≥ +160 ppm | ≥ +160 ppm |
| Operating Temperature | -40° to +85° C | -40° to +85° C | -40° to +85° C |
| Temperature Drift | ≤ ±30 ppm | ≤ ±30 ppm | ≤ ±30 ppm |
| Aging Drift | ≤ 5 ppm/year | ≤ 5 ppm/year | ≤ 5 ppm/year |
| Series Resistance | ≤ 20 Ω | ≤ 20 Ω | ≤ 15 Ω |
| Drive Level | 0.5 mW | 0.5 mW | 0.5 mW |

4.2.3 Clock Oscillator Specifications

Table 33. Typical Clock Oscillator Specifications

| Parameter | Line rate 272 kbps | Line rate 784 kbps | Line rate 1168 kbps |
|-----------------------|--------------------|--------------------|---------------------|
| Clock frequency | 4.352 MHz | 12.544 MHz | 18.688 MHz |
| Tolerance | ±32 ppm | ±32 ppm | ±32 ppm |
| Operating temperature | -40° to +85° C | -40° to +85° C | -40° to +85° C |
| Output level | CMOS level | CMOS level | CMOS level |
| Duty Cycle | 40/60% | 40/60% | 40/60% |

5.0 Test Specifications

Note: The minimum and maximum values in Table 34 through Table 44 and Figure 28 through Figure 35 represent the performance specifications of the EMDP and are guaranteed by test, except where noted by design.

Table 34. IAFE Absolute Maximum Ratings

| Parameter | Symbol | Min | Max | Unit |
|---|------------------|-------|-----------|------|
| Supply voltage ¹ (reference to ground ²) | TVCC, RVCC, DVCC | -0.3 | +6.0 | V |
| Input voltage ^{2, 3} , any input pin | TVCC, RVCC, DVCC | - 0.3 | VCC + 0.3 | V |
| Continuous output current, any output pin | – | – | ±25 | mA |
| Storage temperature | TSTOR | -65 | +150 | ° C |

Caution: Operations at the limits shown may result in permanent damage to the Integrated Analog Front End. Normal operation at these limits is neither implied nor guaranteed.

1. No supply input may have a maximum potential of more than ±0.3 V from any other supply input.
2. TGND = 0V; RGND = 0V; DGND = 0V.
3. TVCC = RVCC = DVCC = VCC.

Table 35. IAFE Recommended Operating Conditions

| Parameter | Symbol | Min | Typ | Max | Unit |
|-------------------------------|------------------|------|-----|------|------|
| DC supply | TVCC, DVCC, RVCC | 4.75 | 5.0 | 5.25 | V |
| Ambient operating temperature | TA | -40 | +25 | +85 | ° C |

Table 36. IAFE DC Electrical Characteristics (Over Recommended Range)

| Parameter | Sym | Min | Typ ¹ | Max | Unit | Test Conditions |
|-------------------------------------|-------|-----|------------------|-----|------|-------------------------------------|
| Supply current (full operation) | ICC | – | 80 | 120 | mA | 83 Ω resistor across TTIP and TRING |
| Input low voltage | VIL | – | – | 0.5 | V | |
| Input high voltage | VIH | 4.5 | – | – | V | |
| Output low voltage ² | VOL | – | – | 0.2 | V | IOL < 1.6 mA |
| Output high voltage ³ | VOH | 4.5 | – | – | V | IOH < 40 μA |
| Input leakage current ⁴ | IIL | – | – | ±50 | μA | 0 < VIN < VCC |
| Input capacitance (individual pins) | CIN | – | 12 | – | pF | |
| Load capacitance (VCO_CLK output) | CLREF | – | – | 20 | pF | |

1. Typical values are at 25° C and are for design aid only; not guaranteed and not subject to production testing.
2. IOL is sinking current.
3. IOH is sourcing current.
4. Applies to pins 3, 4, 25, 26 and 27.

Table 37. IAFE Transmitter Electrical Parameters (Over Recommended Range)

| Parameter | Sym | Min | Typ | Max | Unit | Test Conditions |
|--------------------------------------|--------------------|--------|--------|--------|------|---------------------------|
| Isolated pulse height at TTIP, TRING | - | +2.455 | +2.640 | +2.825 | Vp | TDATA high, TFP low (+3) |
| | - | -2.825 | -2.640 | -2.455 | Vp | TDATA low, TFP low (-3) |
| | - | +0.818 | +0.880 | +0.941 | Vp | TDATA high, TFP high (+1) |
| | - | -0.941 | -0.880 | -0.818 | Vp | TDATA low, TFP high (-1) |
| Setup time (TSGN, TMAG) | tTSM _{SU} | 5 | - | - | ns | |
| Hold time (TSGN, TMAG) | tTSM _H | 12 | - | - | ns | |

1. Pulse amplitude measured across a 135 Ω resistor on the line side of the transformer using the application circuit shown in Figure 26 and Table 29.

Figure 28. IAFE Normalized Pulse Amplitude Transmit Template

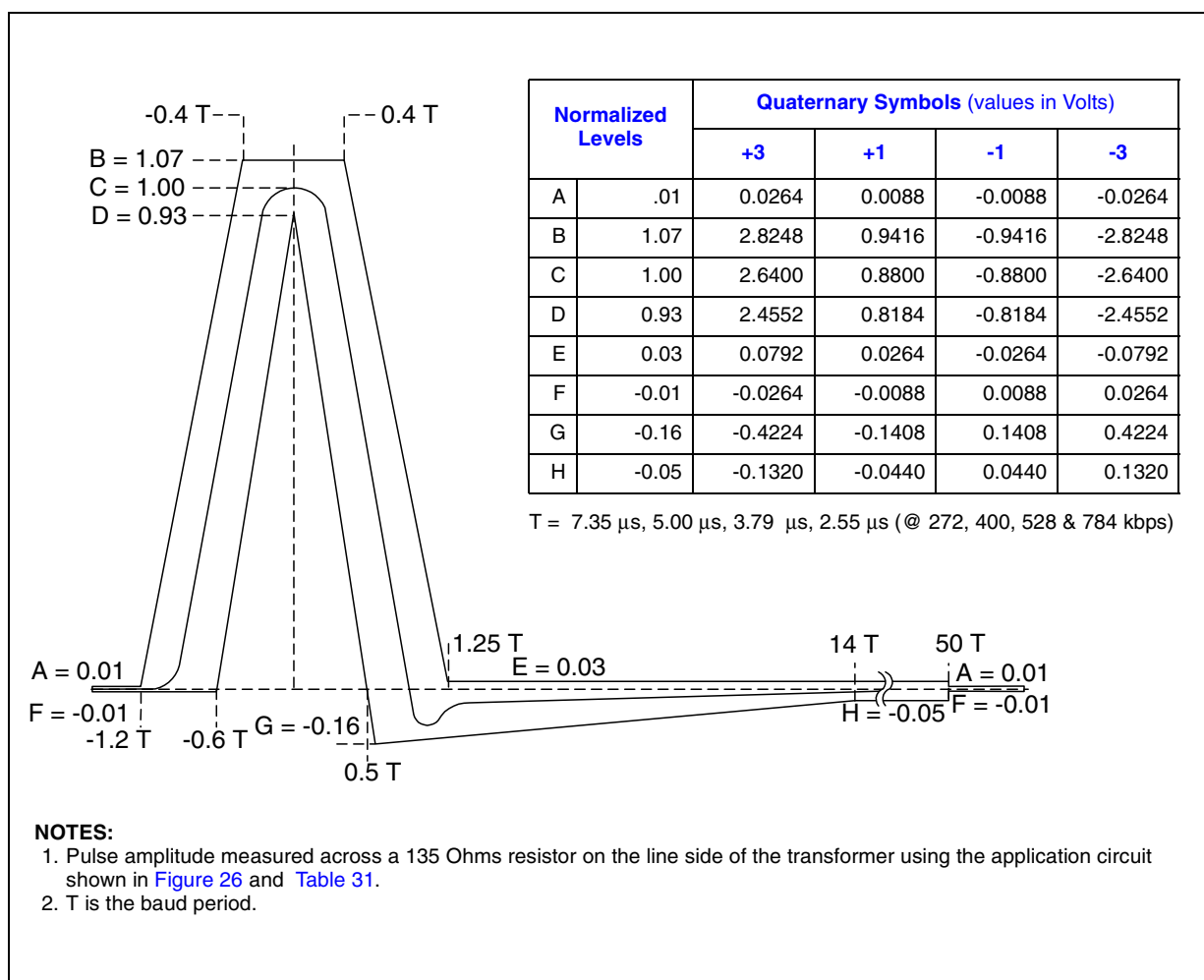


Figure 29. Transmit Power Spectral Density—Upper Bound

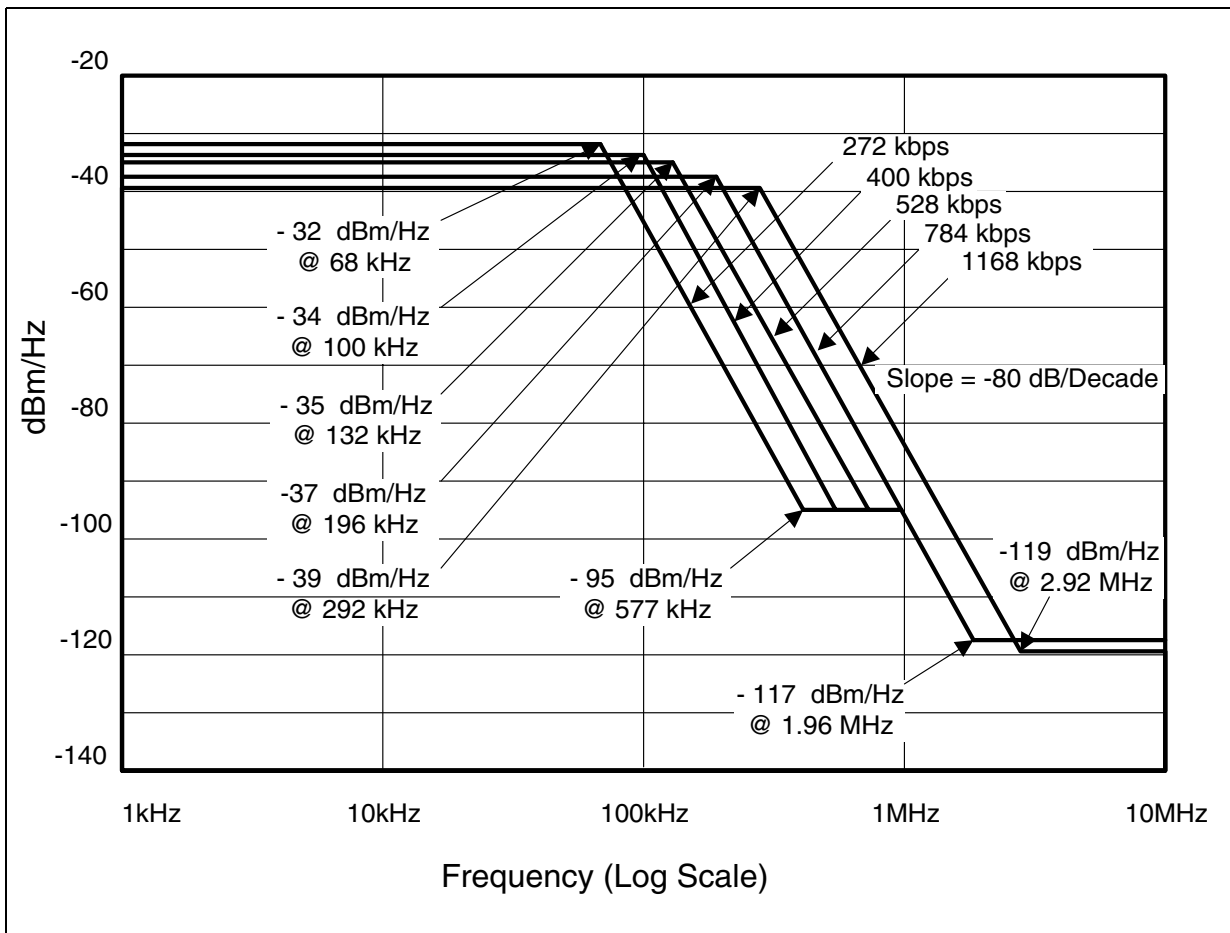
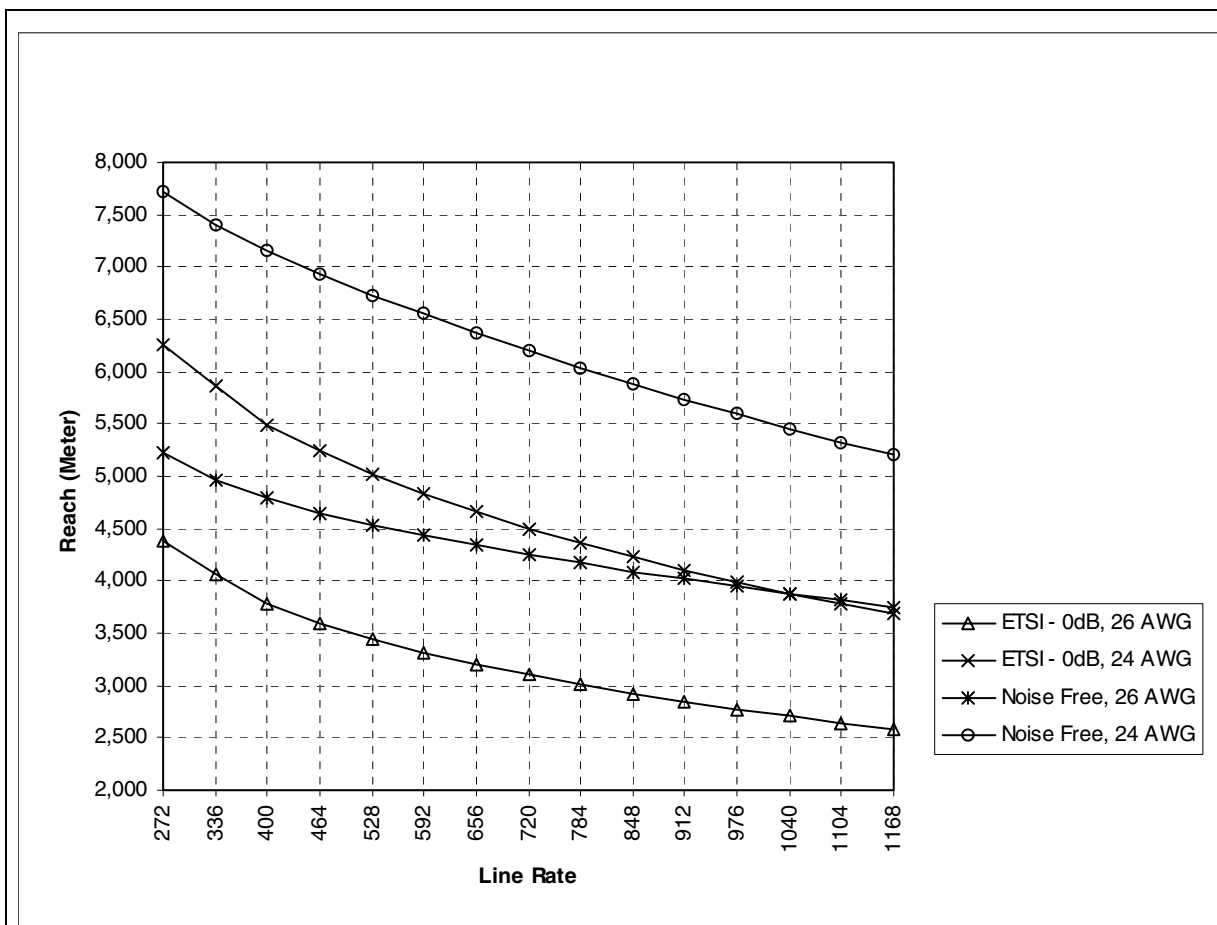


Table 38. IAFE Receiver Electrical Parameters (Over Recommended Range)

| Parameter | Sym | Min | Typ | Max | Unit | Test Conditions |
|--|------------------|------|-----|------|------|---|
| Propagation delay (AD0, AD1) | t _{ADD} | – | – | 25 | ns | |
| Total harmonic distortion | – | – | -80 | – | dB | V(RTIP, RRING) = 3 V _{pp} @ 50 kHz |
| RTIP, RRING, to BTIP, BRING gain ratio | – | 0.99 | 1.0 | 1.01 | V/V | |

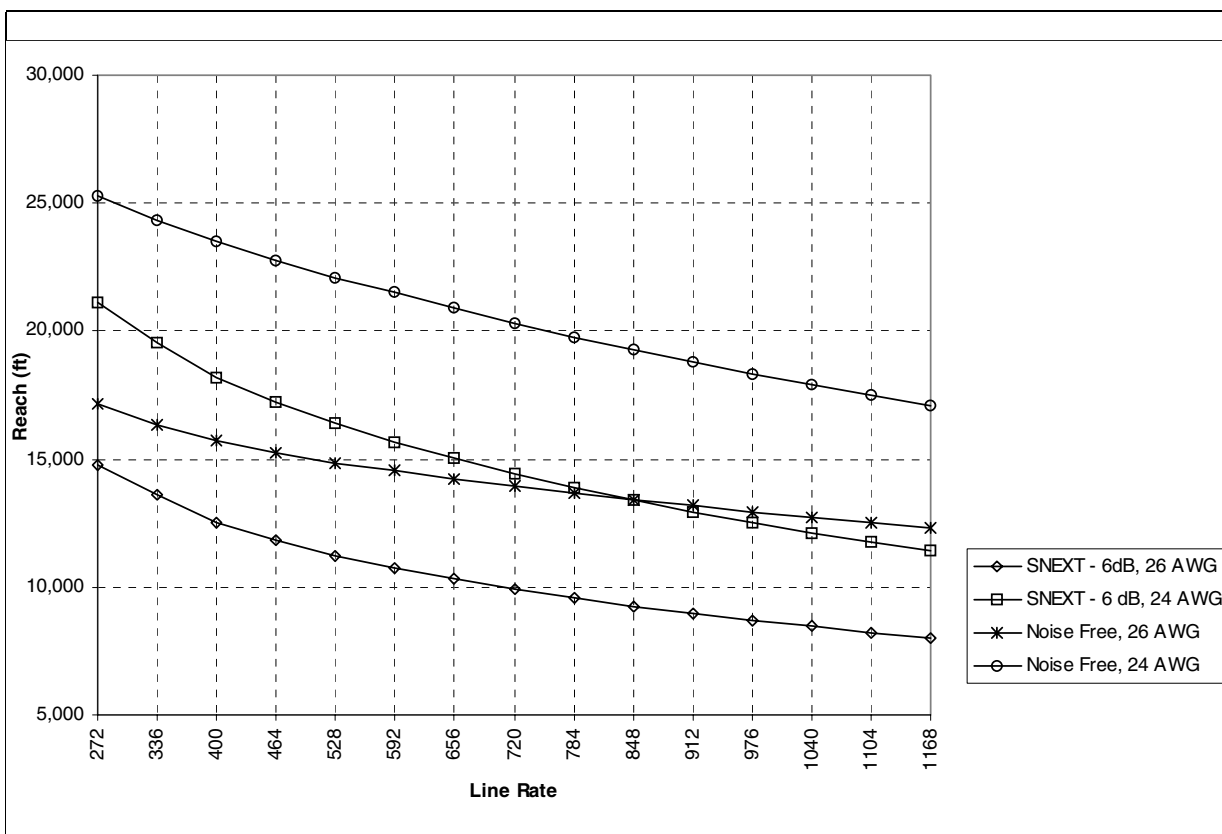
Figure 30. Typical Performance vs. Line Rate and Cable Gauge (Metric)



NOTES:

1. Noise-free range is specified with a Bit Error Ratio (BER) less than or equal to 1.0×10^{-7} .
2. The range with ETSI shaped noise corresponds to a 0 dB margin with a BER less than or equal to 1.0×10^{-7} . The power spectral density for ETSI standard noise is defined in ETSI ETR-152 section 6.3.3.1.

Figure 31. Typical Performance vs. Line Rate and Cable Gauge (English)



NOTE:

- Noise-free range is specified with a BER less than or equal to 1.0×10^{-7} .
- There are no generally accepted noise models for MDSL systems. Performance is shown based upon the simulation done using self NEXT at all the line rates.
- The range with ETSI shaped noise corresponds to a 0 dB margin with a BER less than or equal to 1.0×10^{-7} . The power spectral density for ETSI standard noise is defined in ETSI ETR-152 section 6.3.3.1.

Table 39. EDSP Absolute Maximum Ratings

| Parameter | Symbol | Min | Max | Unit |
|---|------------|-------|------------|------|
| Supply voltage ¹ (reference to ground ²) | VCC2, VCC1 | -0.3 | +6.0 | V |
| Input voltage ² , any input pin | — | - 0.3 | VCC2 + 0.3 | V |
| Continuous output current, any output pin | — | — | ±25 | mA |
| Storage temperature | TSTOR | -65 | +150 | ° C |
| <p>Caution: Operations at the limits shown may result in permanent damage to the MDSL Digital Signal Processor (EDSP). Normal operation at these limits is neither implied nor guaranteed.</p> | | | | |
| <p>1. The maximum potential between VCC2 and VCC1 must never exceed ±1.2 V. 2. GND3 = 0 V; GND2 = 0 V; GND1 = 0 V.</p> | | | | |

Table 40. EDSP Recommended Operating Conditions

| Parameter | Symbol | Min | Typ | Max | Unit |
|-------------------------------|----------------|------|-----|------|------|
| DC supply ¹ | VCC1, VCC2 | 4.75 | 5.0 | 5.25 | V |
| Ambient operating temperature | T _A | -40 | | +85 | °C |

Table 41. EDSP DC Electrical Characteristics (Over Recommended Range)

| Parameter | Sym | Min | Typ ¹ | Max | Unit | Test Conditions | |
|---------------------------------------|------------------|------------|------------------|----------|------|--|------------------------------------|
| Supply current | I _{CC} | 272 kbps | – | 40 | TBD | mA | Room temperature, VCC1, VCC2 = +5V |
| | | 400 kbps | – | 55 | TBD | | |
| | | 528 kbps | – | 72 | TBD | | |
| | | 784 kbps | – | 106 | TBD | | |
| | | 1168 kbps | – | 148 | TBD | | |
| Input low voltage | V _{IL} | – | – | 0.5 | V | | |
| Input high voltage | V _{IH} | 4.0 | – | – | V | | |
| Output low voltage ² | V _{OL} | – | – | GND +0.3 | V | I _{OL} < 1.6 mA | |
| Output high voltage ³ | V _{OH} | VCC2 - 0.5 | – | – | V | I _{OH} < 40 μA | |
| Input leakage current ⁴ | I _{IL} | – | – | ±50 | μA | 0 < V _{IN} < V _{CC2} | |
| Tristate leakage current ⁵ | I _{TOL} | – | – | ±30 | μA | 0 < V < V _{CC2} | |
| Input capacitance (individual pins) | C _{IN} | – | 12 | – | pF | | |
| Load capacitance (MSTR_CLK output) | CLREF | – | – | 15 | pF | | |

1. Typical values are at 25° C and are for design aid only; not guaranteed and not subject to production testing.
2. I_{OL} is sinking current.
3. I_{OH} is sourcing current.
4. Applies to pins 4, 5, 11, 12, 14, 16, 18, 19, 22, 23, 24, 29, 31, 33, 34 and 35. Applies to pins 5, 6, 9, 13, and 36-43, when configured as inputs.
5. Applies to pins 7, 8, 10, 15, 17, 30, 32 and 36-43, when tristated.

Table 42. EMDP Data Interface Timing Specifications

| Parameter | Symbol | Min | Typ ¹ | Max | Unit |
|--|--------------------------|-------|------------------|--------|------------|
| BIT_CLK, TBIT_CLK, and RBIT_CLK frequency | F _{bit_clk} | 272 | – | 1168 | kHz |
| QUAT_CLK, TQUAT_CLK, and RQUAT_CLK frequency | F _{quat_clk} | 136 | – | 584 | kHz |
| MSTR_CLK frequency | F _{mstrclk} | 4.352 | – | 18.688 | MHz |
| MSTR_CLK frequency tolerance | Tol _{mstrclk} | -32 | 0 | +32 | ppm |
| MSTR_CLK duty cycle | Dutymstr_clk | 40% | 50% | | percentage |
| SLAVE_CLK frequency tolerance ² | Tol _{Slave_clk} | -32 | 0 | +32 | ppm |

1. Typical values are at 25° C and are for design aid only; not guaranteed and not subject to production testing.
2. SLAVE_CLK must meet this tolerance about a frequency of 16 times the BIT_CLK frequency.
3. Measured with 15 pF load.

Table 42. EMDP Data Interface Timing Specifications (Continued)

| Parameter | Symbol | Min | Typ ¹ | Max | Unit |
|---|---------|-----|------------------|-----|------|
| BIT_CLK, TBIT_CLK, and RBIT_CLK pulse width (high) ³ | | | | | |
| 272 kbps | Tbpw | – | 1.840 | – | μs |
| 400 kbps | | – | 1.250 | – | |
| 528 kbps | | – | 0.947 | – | |
| 784 kbps | | – | 0.638 | – | |
| 1168 kbps | | – | 0.428 | – | |
| BIT_CLK and TBIT_CLK delay from the MSTR_CLK | Tmbdly | – | – | 50 | ns |
| QUAT_CLK and TQUAT_CLK delay from the BIT_CLK and TBIT_CLK respectively | Tbqdly | – | – | 25 | ns |
| Transition time on any digital output ³ | Tto | – | 5 | 10 | ns |
| Transition time on any digital input | Tti | – | – | 25 | ns |
| TFP setup time to BIT_CLK rising edge | Ttfsb | 50 | – | – | ns |
| TDATA setup time to BIT_CLK rising edge in framed mode 6 and 7. TDATA setup time to BIT_CLK and TBIT_CLK falling edge in Transparent and Independent modes 0,1,2,4, and 5. | Tdasub | 50 | – | – | ns |
| TFP hold time from BIT_CLK rising edge | Ttfhly | 50 | – | – | ns |
| TDATA hold time to BIT_CLK rising edge in framed mode 6 and 7. TDATA setup time to BIT_CLK and TBIT_CLK falling edge in Transparent and Independent modes 0,1,2,4, and 5. | Tdahly | 50 | – | – | ns |
| RDATA delay from BIT_CLK falling edge in framed mode 6 and 7. RDATA delay from BIT_CLK and RBIT_CLK rising edge in Transparent and Independent modes 0,1,2,4, and 5. | Trdbdly | – | – | 50 | ns |
| RFP delay from BIT_CLK falling edge | Trfbdly | – | – | 50 | ns |
| RDATA_ST delay from BIT_CLK falling edge | Tstbdly | – | – | 50 | ns |
| 1. Typical values are at 25° C and are for design aid only; not guaranteed and not subject to production testing. 2. SLAVE_CLK must meet this tolerance about a frequency of 16 times the BIT_CLK frequency. 3. Measured with 15 pF load. | | | | | |

Figure 32. EDSP Clock and Data Interface Timing

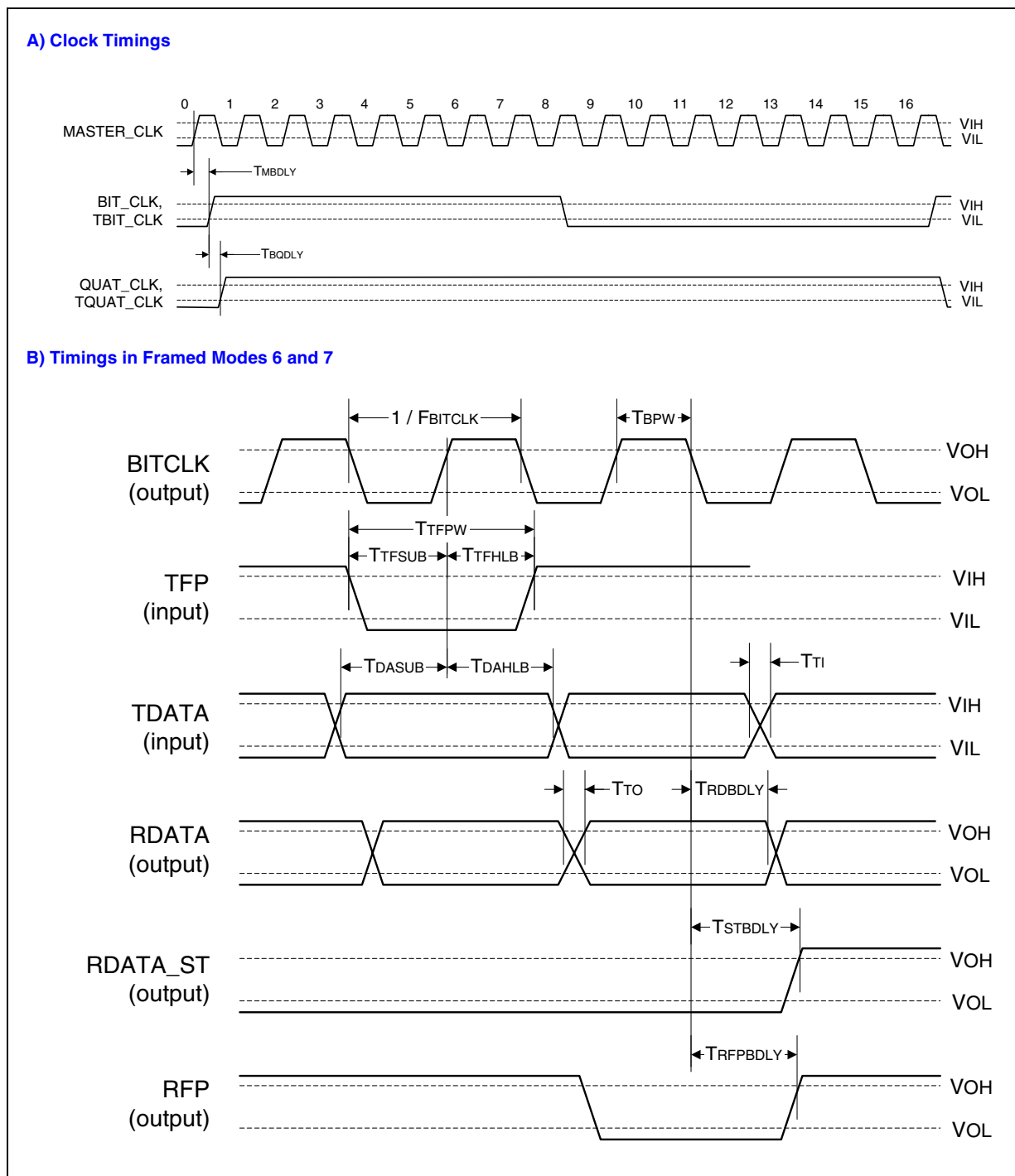


Figure 33. EDSP Data Interface Timing

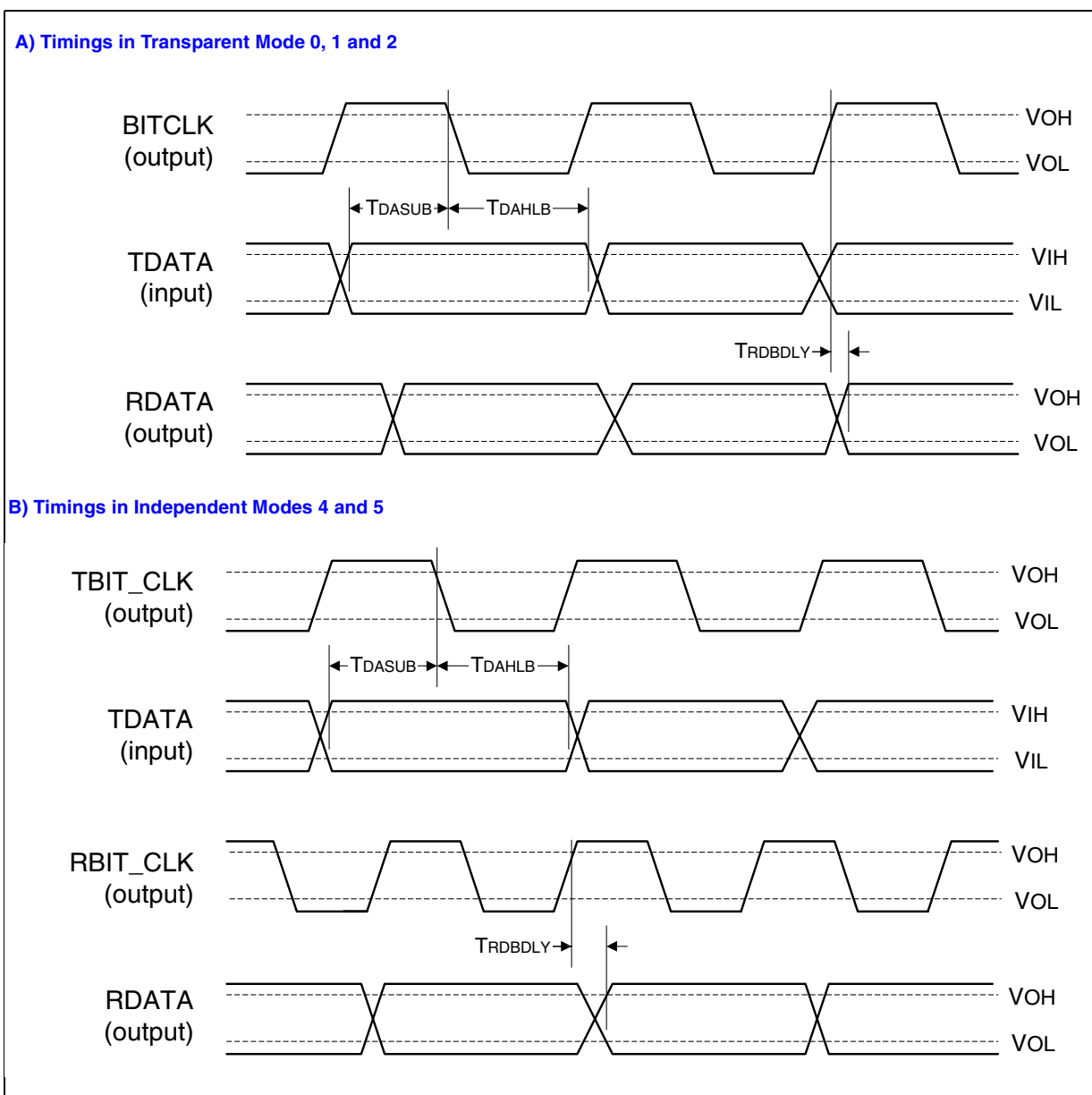


Table 43. EDSP/Microprocessor Interface Timing Specifications

| Parameter | Symbol | Min | Typ | Max | Unit |
|---|--------|-----|-----|-----|------|
| RESET pulse width low. | Trpwl | 500 | – | – | ns |
| RESET to $\overline{\text{INT}}$ clear (10 k Ω resistor from $\overline{\text{INT}}$ to VCC2). | Tinth | – | – | 300 | ns |
| RESET to data tri-state on D0-7. | Tdthz | – | – | 100 | ns |

1. Timing for all outputs assumes a maximum load of 30 pF.
 2. "Address" refers to input signals A0, A1, A2, and A3. "Data" refers to I/O signals D0, D1, D2, D3, D4, D5, D6, and D7.

Table 43. EDSP/Microprocessor Interface Timing Specifications (Continued)

| Parameter | Symbol | Min | Typ | Max | Unit |
|---|--------|-----|-----|-----|------|
| CHIPSEL setup to $\overline{\text{READ}}$ falling edge. | Tcssur | 50 | – | – | ns |
| CHIPSEL hold from $\overline{\text{READ}}$ rising edge. | Tcshlr | 50 | – | – | ns |
| CHIPSEL setup to $\overline{\text{WRITE}}$ rising edge. | Tcssuw | 50 | – | – | ns |
| CHIPSEL hold from $\overline{\text{WRITE}}$ rising edge. | Tcshlw | 50 | – | – | ns |
| CHIPSEL high to data tri-state. | Tcsd | – | – | 50 | ns |
| $\overline{\text{READ}}$ low to data active. | Trdda | – | – | 100 | ns |
| $\overline{\text{READ}}$ high to data valid | Trddt | 80 | – | – | ns |
| $\overline{\text{READ}}$ high to $\overline{\text{INT}}$ clear when reading register RD0. | Trdint | – | – | 200 | ns |
| Data setup to $\overline{\text{WRITE}}$ rising edge. | Tdsuw | 10 | – | – | ns |
| Data hold from $\overline{\text{WRITE}}$ rising edge. | Tdhlw | 10 | – | – | ns |
| Address setup to $\overline{\text{READ}}$ falling edge. | Tadsur | 50 | – | – | ns |
| Address hold from $\overline{\text{READ}}$ rising edge. | Tadhlr | 10 | – | – | ns |
| Address setup to $\overline{\text{WRITE}}$ rising edge | Tadsuw | 50 | – | – | ns |
| Address hold from $\overline{\text{WRITE}}$ rising edge | Tadhlw | 10 | – | – | ns |

1. Timing for all outputs assumes a maximum load of 30 pF.
2. "Address" refers to input signals A0, A1, A2, and A3. "Data" refers to I/O signals D0, D1, D2, D3, D4, D5, D6, and D7.

Figure 34. RESET Timing (Processor Control Mode)

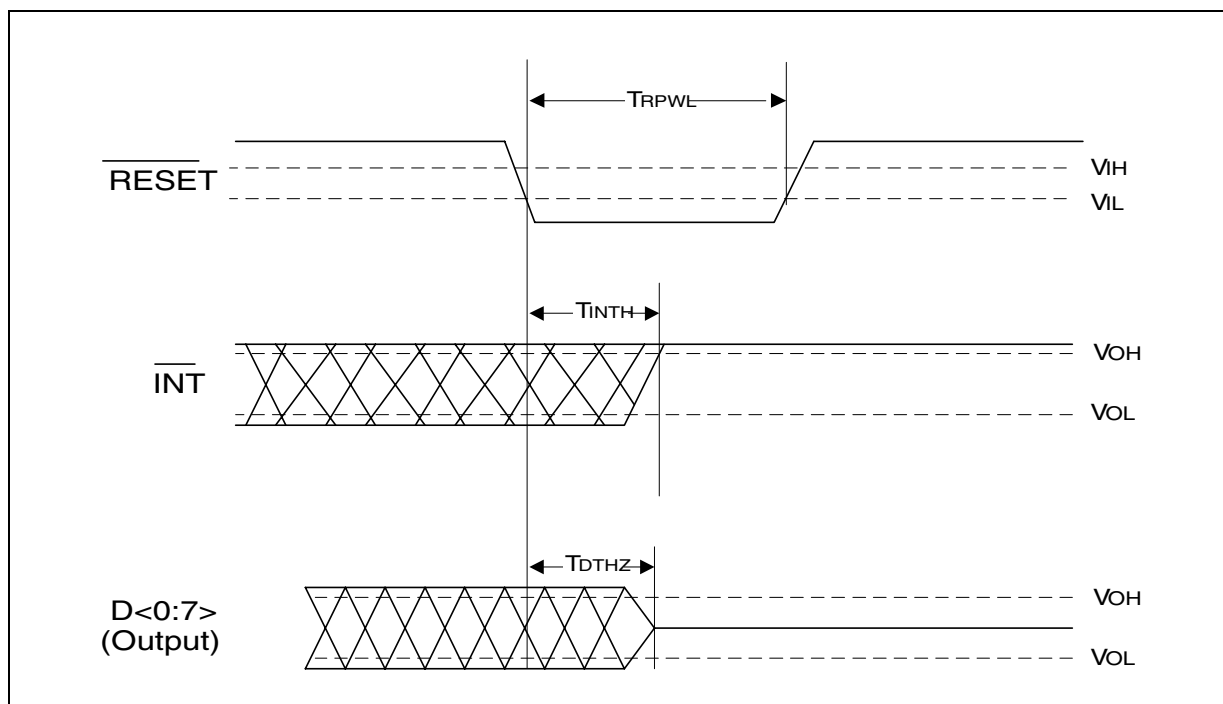


Figure 35. EDSP Read and Write Timing (Processor Control Mode)

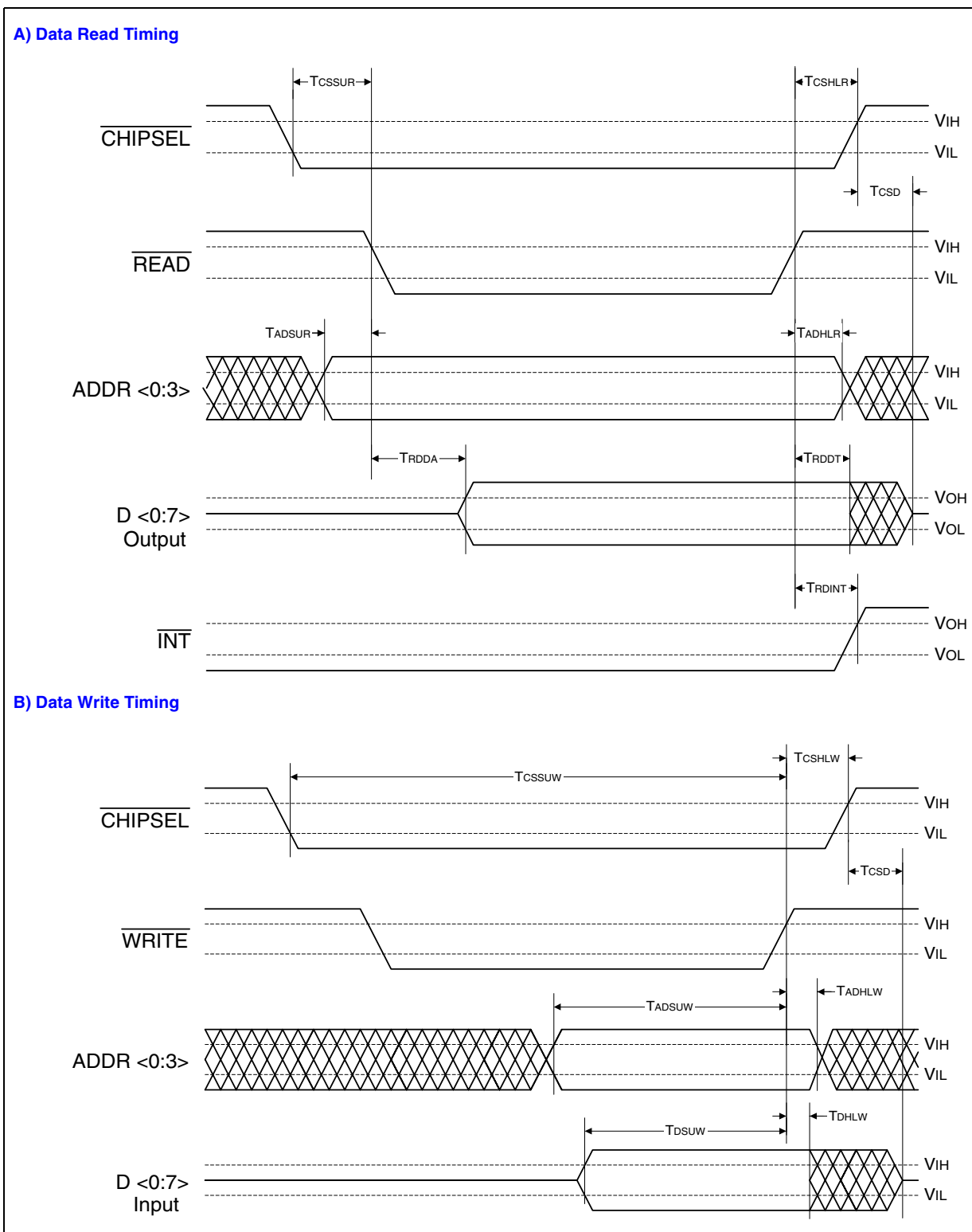


Table 44. General System and Hardware Mode Timing

| Parameter | | Min | Typ ¹ | Max | Unit |
|--|------------------------------------|-------------------|------------------|-----|---------|
| Throughput delay from TFP of Master to RFP of Slave in framed modes 6 and 7. | 272 kbps | – | 221 | TBD | μ s |
| | 400 kbps | – | 151 | | |
| | 528 kbps | – | 114 | | |
| | 784 kbps | – | 77 | | |
| | 1168 kbps | – | 52 | | |
| Throughput delay from TDATA of Master to RDATA of Slave in Transparent modes 0, 1 and 2. | 272 kbps | – | 221 | TBD | μ s |
| | 400 kbps | – | 151 | | |
| | 528 kbps | – | 114 | | |
| | 784 kbps | – | 77 | | |
| | 1168 kbps | – | 52 | | |
| Throughput delay from TDATA of Master to RDATA of Slave in Independent modes 4 and 5. | 272 kbps | – | 215 | TBD | μ s |
| | 400 kbps | – | 146 | | |
| | 528 kbps | – | 111 | | |
| | 784 kbps | – | 75 | | |
| | 1168 kbps | – | 50 | | |
| Hardware mode | “ACTREQ” pulse width (high or low) | $2 \cdot t_{BPW}$ | – | – | μ s |

Figure 36. ACTREQ Signal Timing (Hardware Mode)

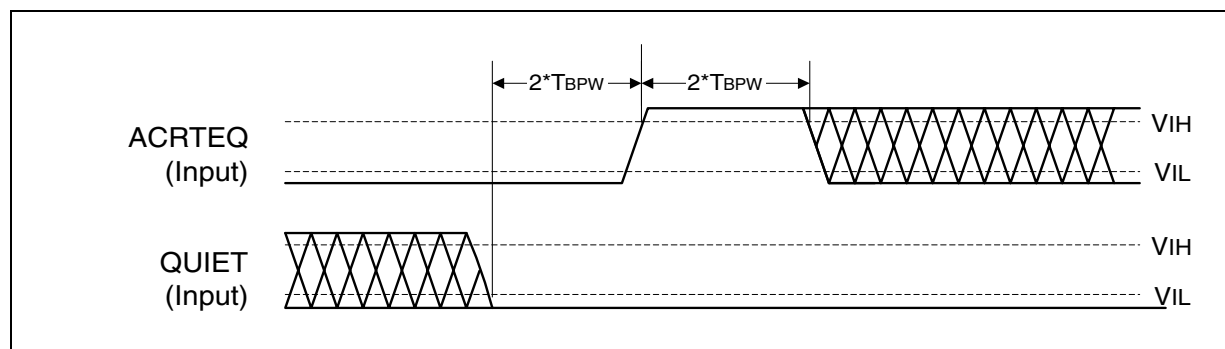
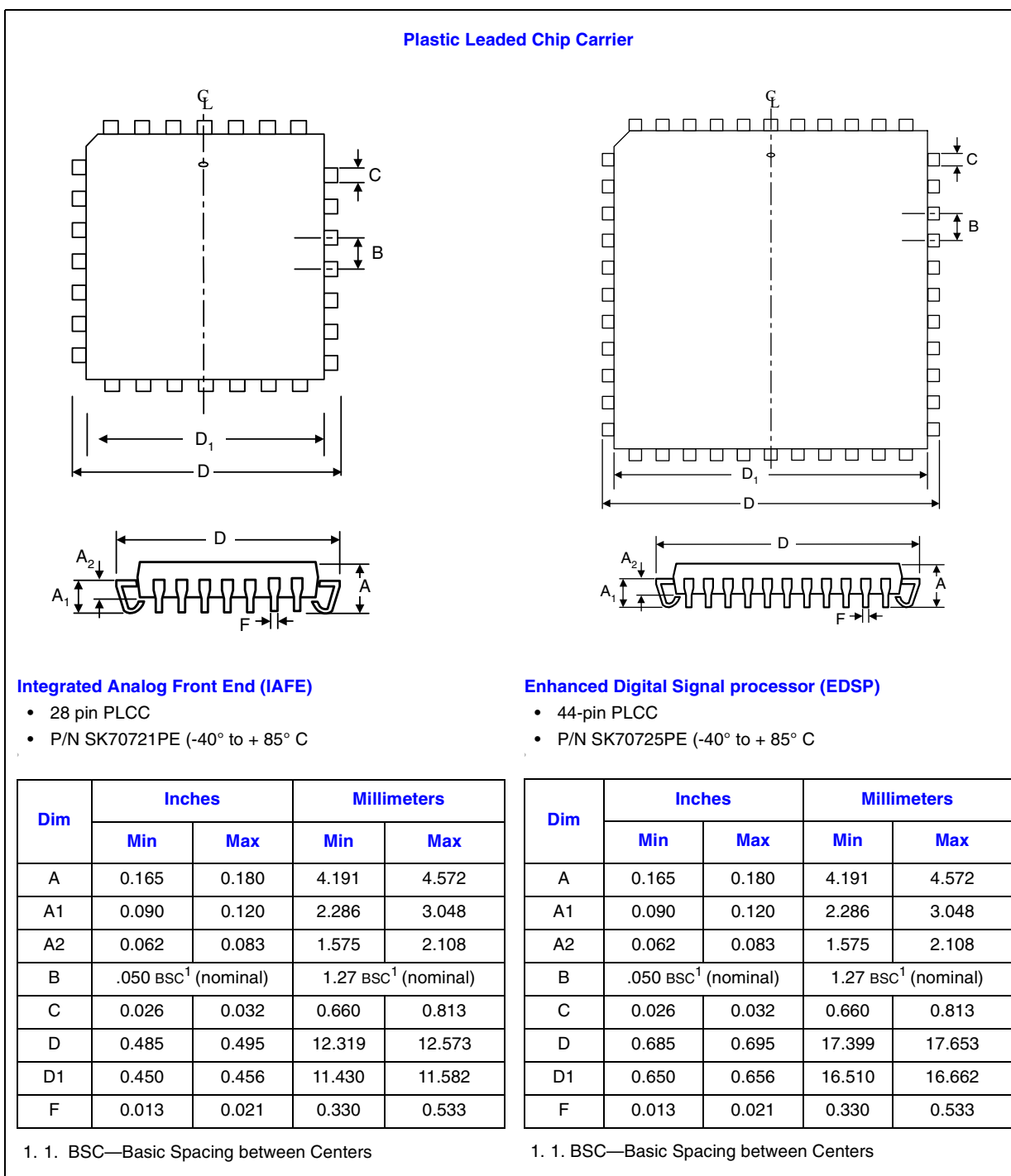


Figure 37. Data Pump Package Specifications



6.0 Acronyms

Table 45. Acronyms

| Acronym | Description |
|---------|-----------------------------------|
| ACTREQ | Activation Request |
| BELB | Back-End Loop Back |
| BER | Bit Error Ratio |
| COFA | Change Of Frame Alignment |
| DFE | Decision Feedback Equalization |
| EC | Echo-Canceller |
| EDSP | Enhanced Digital Signal Processor |
| EMDP | Enhanced Multi-Rate DSL Data Pump |
| FFE | Feed Forward Equalizer |
| FSW | Frame Synchronization Word |
| FELB | Front End Loopback |
| ILMT | Insertion Loss Measurement Test |
| IAFE | Integrated Analog Front-End |
| LL | Loop Loss |
| LOOPID | Loop Number |
| LOS | Loss Of Signal |
| MAT | Master Activation Timer |
| MATC | Master Activation Timer Constant |
| MIT | Micro-Interruption Timer |
| MITR | Micro-Interruption Timer Register |
| MSB | Most Significant Bits |
| PLL | Phase-Locked Loop |
| RFP | Receive Frame Pulse |
| RPTR | Repeater Mode |
| SNR | Signal to Noise Ratio |
| TXTST | Transmit Test Pulse Enable |