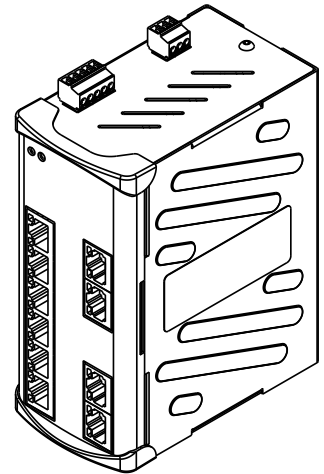
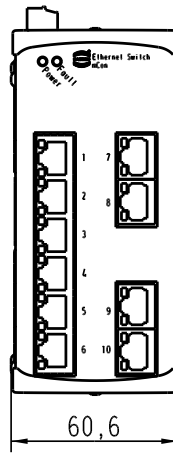
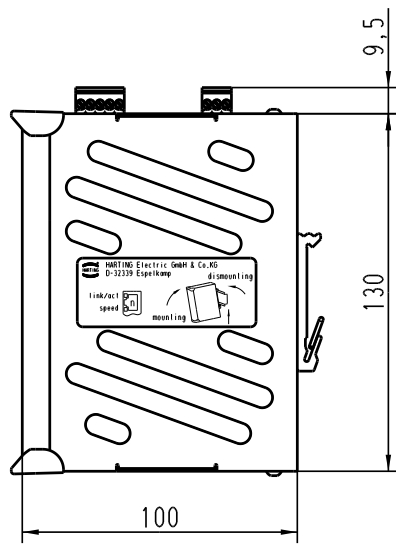


Alle Rechte vorbehalten/ All rights reserved



für Hutschiene nach DIN EN 60715
for caprail acc. to DIN EN 60715

| | | | | | | | | |
|---|----------|------|--------------------------------|----------|------|--|---|-------------|
| All Dimensions in mm Original Size DIN A 4 | | | Techn. Character. | | | Nicht tolerierte Masse! Free size tolerances | | |
| | | | | Dat. | Name | Massestab/Scale | mCon 3100-A Ethernet Switch Management | |
| | | | Detail. | 15.09.06 | Loe. | | | |
| | | | Insp. | | Fer | | | |
| | | | Stand. | | | | | |
| 412534 | 13.11.06 | Loe. | HARTING Electric GmbH & Co. KG | | | | TB 20 76 110 4000 | |
| 412452 | | | D-32339 Espelkamp | | | | | |
| Mod. | Dat. | Name | | | | | | |
| | | | | | | | Sub. | Blatt/ page |