



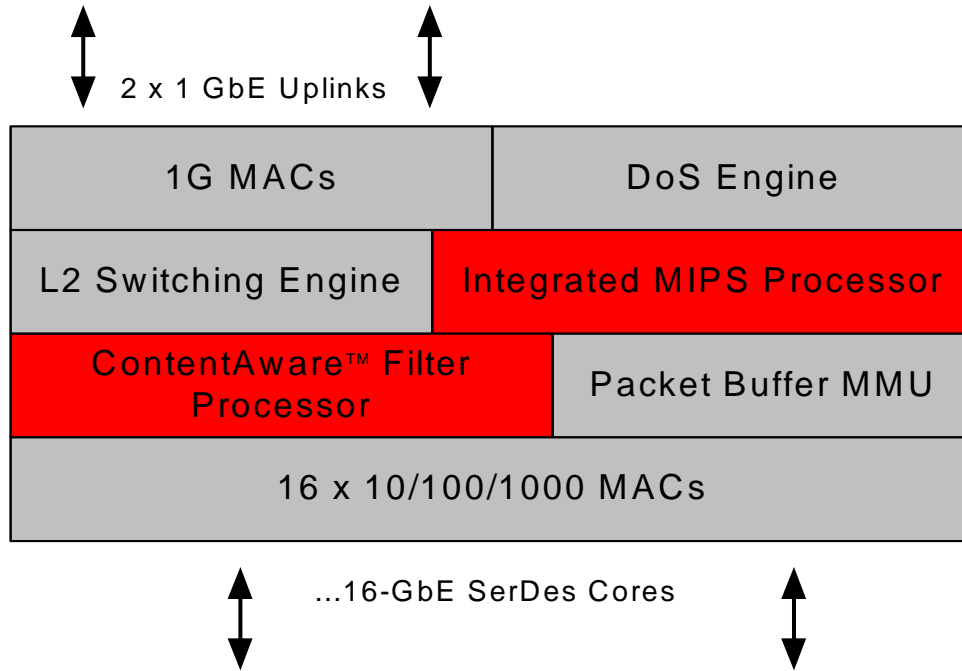
16-PORT GBE HIGHLY INTEGRATED MULTILAYER SWITCH SOC

FEATURES

- Highest silicon integration level achieved for a 16-port, 10/100/1000-Mbps Ethernet switch device
- Tenth-generation System-on-a-Chip (SoC)
- Integrated MACs (IEEE 802.x compliant) with support for 9216-byte jumbo frames
- Integrated SGMII/SerDes interfaces
- Non-blocking Gigabit Ethernet fully integrated switch fabric with 512-KB packet buffer memory
- Integrated high-performance MIPS® processor with option to support external CPU
- Optional two 1 GbE uplink ports
- Packet classification using four IEEE 802.1p quality of service (QoS) or DiffServ/TOS priority queues
- Supports 4K IEEE 802.1Q VLAN
- Supports up to 8K unicast MAC addresses
- Supports MAC-based port aggregation (trunking)
- Supports access control list (ACL) host table
- Full- (IEEE 802.3x) and half-duplex flow control
- Supports automatic address learning and aging
- Supports spanning tree and rapid spanning tree
- Supports IEEE 802.1x MAC security
- Port-based rate control with 1-Mbps granularity
- Low-power 65 nm CMOS core
- 1152-pin ball grid array (BGA) package

SUMMARY OF BENEFITS

- SoC optimized for the value driven small and medium-size business (SMB) market
- Bill of material (BOM) optimized with integrated CPU
- Wirespeed performance
- Four flexible Class of Service (CoS) queues per port assure the lowest latency to high-priority traffic. This supports a wide variety of delay-sensitive video and audio multicast applications.
- IEEE 802.3ad link aggregation increases effective bandwidth and provides link redundancy.
- Storm and bandwidth/rate control provide improved traffic profile management.
- Internet Protocol Version (IPv6) support provides future-proofing.
- Supports essential features for access applications
- Includes advanced security and ease-of-use features such as auto-DoS, auto-VoIP, and auto-ACL



16-Port Gigabit Ethernet Multilayer Switch

The BCM53726 series is a complete L2 SoC solution for easy and rapid development of Gigabit switching applications. The BCM53726 integrates 16 configurable 1-Gbps ports or 10-Mbps/100-Mbps Ethernet ports.

The BCM53726 series is a highly integrated solution ideally suited for stand-alone Gigabit Ethernet switches. It combines all the functions of a high-speed switch system, including packet buffers, SerDes, media access controllers, address management, a non-blocking switch fabric, and integrated high-performance CPU into a single 65 nm CMOS device. The BCM53726 series supports auto-DoS attack prevention and SNMP, IEEE 802.1x, spanning tree, and rapid spanning tree protocols.

The BCM53726 switch:

- Integrates internal memory in the common buffer pool (CBP) for packet buffering.
- Provides 16-full-duplex GbE ports that interface to external physical layer devices via the SerDes or SGMII interface. The GbE ports support both copper and fiber media.
- Supports a Broadcom Serial Control (BSC) controller for

communicating with external devices such as serial EEPROM, flash PROM memories, and parallel port devices.

- Supports a serial interface for the MII management of physical layer devices.
- Supports an integrated MIPS processor for management functions with a DDR memory controller, a CMIC for switch access, parallel flash interface for booting, two serial UART interfaces, and eight GPIO pins.
- Contains memory required to host L2 switching tables.
- Supports VLAN double tagging via Gigabit ports.
- Supports advanced QoS shaping for service provider networks.
- Integrates sophisticated metering, statistics, and traffic management features, optimizing the QoS for voice, video, and data convergence.

Ordering information:

- BCM53726 (16 GbE + 2 GbE uplinks + integrated CPU)

For additional ordering information, contact your Broadcom sales representative.

Broadcom®, the pulse logo, Connecting everything®, the Connecting everything logo, and ContentAware™ are among the trademarks of Broadcom Corporation and/or its affiliates in the United States, certain other countries and/or the EU. Any other trademarks or trade names mentioned are the property of their respective owners.

Connecting
everything®



BROADCOM CORPORATION

5300 California Avenue,
Irvine, California 92617

© 2007 by BROADCOM CORPORATION. All rights reserved.

53726-PB00-R 06/11/07

Phone: 949-926-5000

Fax: 949-926-5203

E-mail: info@broadcom.com

Web: www.broadcom.com