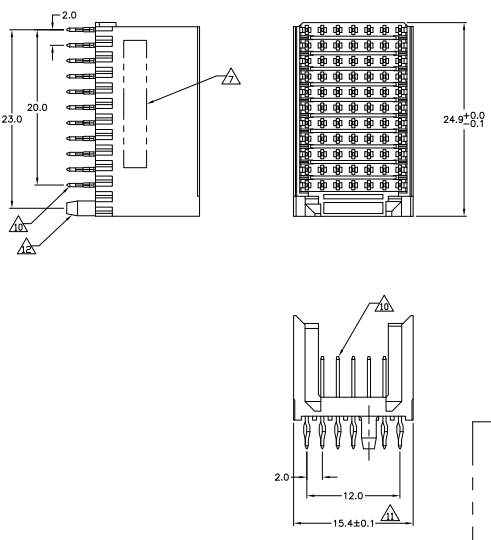


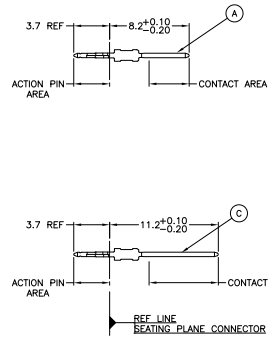
THIS DRAWING IS UNPUBLISHED  
 ALL RIGHTS RESERVED

REV	DATE	DESCRIPTION	BY	CHK
00				
D1		REVISED PER EDD-11-005033	28MAR11	RK HMR

**CONNECTOR ASSEMBLY  
 EXAMPLARY LOADED**



**CONTACT DIMENSIONS**  
 SCALE 5:1

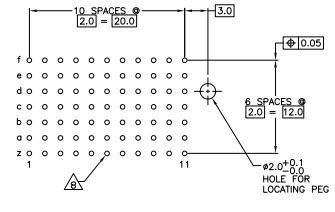


**CONTACT LAYOUT**

	z	a	b	c	d	e	f
1	C	A	A	A	A	A	C
2	C	A	A	A	A	A	C
3	C	A	A	A	A	A	C
4	C	A	A	A	A	A	C
5	C	A	A	A	A	A	C
6	C	A	A	A	A	A	C
7	C	A	A	A	A	A	C
8	C	A	A	A	A	A	C
9	C	A	A	A	A	A	C
10	C	A	A	A	A	A	C
11	C	A	A	A	A	A	C

GUIDING

**RECOMMENDED PCB-HOLE LAYOUT  
 COMPONENT SIDE SHOWN**



**PLATED THRU HOLES PARAMETERS**

REFERENCE APPLICATION SPECIFICATION

FINISH	PART NUMBER
△△△	3-5106081-0
△△△	1-5106081-9
△△△	5106081-9
△△△	5106081-4
△△△	5106081-1

THIS DRAWING IS A CONTROLLED DOCUMENT.

DESIGNED BY	DESIGNED DATE	REVISED BY	REVISED DATE
108-19082	108-19082		
114-19029			

TE Connectivity  
 MALE ASSEMBLY, 2-PACK 2mm HM, TYPE C

SIZE: A1 00779 ©=5106081

CUSTOMER DRAWING

