

4

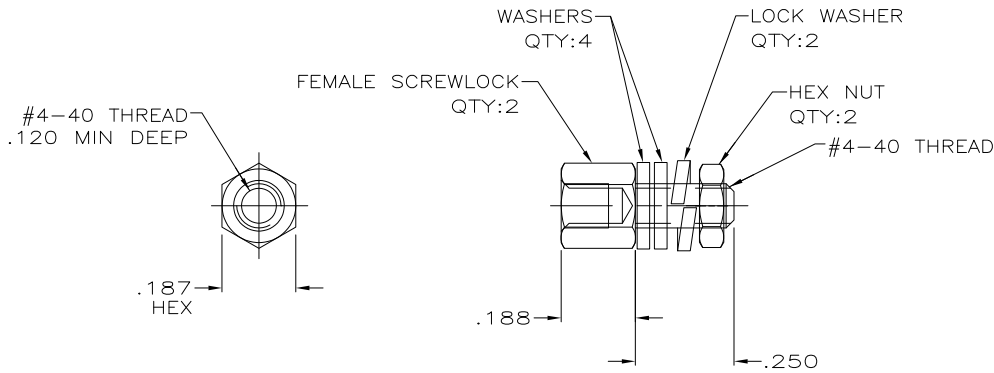
3

2

1

THIS DRAWING IS UNPUBLISHED. RELEASED FOR PUBLICATION  
 © COPYRIGHT - By - ALL RIGHTS RESERVED.

LOC	DIST	REVISIONS			
P	LTR	DESCRIPTION	DATE	DWN	APVD
GP	00				
	P	REVISED PER ECO-11-004835	11MAR11	RK	HMR



- ① ZINC PLATED .000200-.000400 THICK, YELLOW CHROMATE COATING.
- ② ZINC PLATED .000200-.000400 THICK, CLEAR CHROMATE COATING.
- 3. PARTS PACKAGED UNASSEMBLED.
- ④ PARTS PACKAGED AS A UNIT KIT.
- ⑤ PARTS INDIVIDUALLY BULK PACKED & SHIPPED AS A UNIT PACKAGE.

⑤	②	5745563-4
④	②	5745563-3
④	①	5745563-1
PACKAGING	FINISH	PART NUMBER

THIS DRAWING IS A CONTROLLED DOCUMENT.		DWN S. WAITMAN 30JUN05	TE Connectivity	
DIMENSIONS: INCHES		CHK C. RÖHDE 30JUN05		
TOLERANCES UNLESS OTHERWISE SPECIFIED:		APVD M. WALMSLEY 30JUN05	NAME	
0 PLC ± -		PRODUCT SPEC	KIT, SCREWLOCK, FEMALE, PLASTIC OR METAL SERIES, SHORT, AMPLIMITE HDE	
1 PLC ± -		APPLICATION SPEC	SIZE A3	RESTRICTED TO
2 PLC ± -		WEIGHT -	CAGE CODE 00779	DRAWING NO C-5745563
3 PLC ± .005		MATERIAL STEEL	CUSTOMER DRAWING	
4 PLC ± -		FINISH SEE TABLE	SCALE 4:1	SHEET 1 of 1
ANGLES ± -			REV P	