

4

3

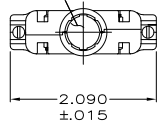
2

1

THIS DRAWING IS UNPUBLISHED. RELEASED FOR PUBLICATION. ALL RIGHTS RESERVED.

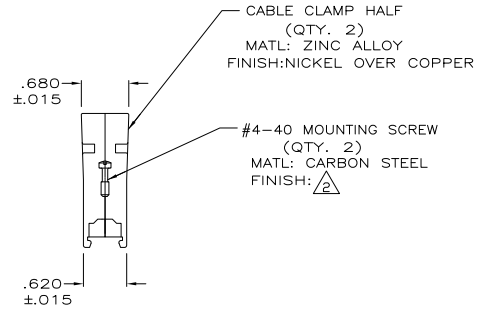
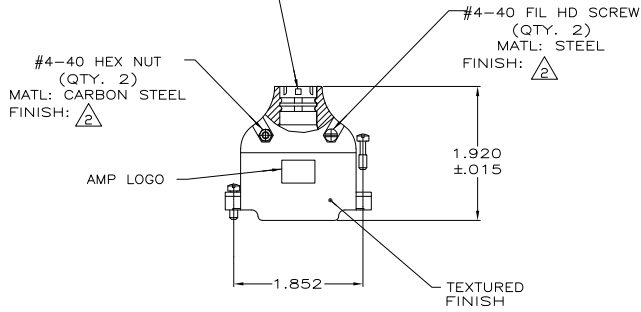
LOC	DIST	REVISIONS		
P	LTR	DESCRIPTION	DATE	BY
GP	00			
P		REVISED PER ECO-11-004835	11MAR11	RK HMR

OPENING FOR CABLE  
(SEE DASH NO. FOR DIA.)



- PARTS PACKAGED UNASSEMBLED, AS A UNIT KIT.
- △ ZINC PLATED .000200-.000400 THICK, CLEAR CHROMATE COATING.

SIZE IDENTIFICATION LETTER  
MOLDED IN APPROXIMATE AREA  
SHOWN, SEE TABLE



D	.280	5745173-5
G	.350	5745173-4
K	.430	5745173-3
M	.480	5745173-2
P	.530	5745173-1
NECK SIZE IDENT	MAX CABLE DIA	PART NUMBER

THIS DRAWING IS A CONTROLLED DOCUMENT.		DR	12AJ005	TE Connectivity
DIMENSIONS: INCHES		DR	12AJ005	CABLE CLAMP KIT, SIZE 3, 180 DEGREE, AMPLIMITE
OTHER DIMENSIONS: MILLIMETERS		DR	12AJ005	
MATERIAL: SEE CALLOUTS		FINISH	SEE CALLOUTS	RESTRICTED TO: -
FINISH: SEE CALLOUTS		APPROVED	M. WALMSLEY	SIZE: A2
APPLICATION SPEC: -		PRODUCT SPEC: -	NAME: M. WALMSLEY	CAGE CODE: 00779
WEIGHT: -		DATE: -	DATE: -	DRAWING NO: C-5745173
CUSTOMER DRAWING		SCALE: 1:1		SHEET: 1 of 1