

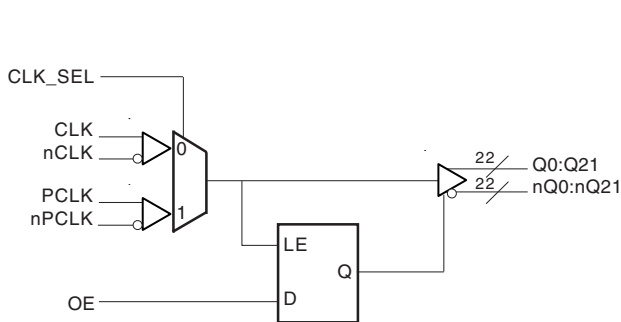
GENERAL DESCRIPTION

The ICS8524 is a low skew, 1-to-22 Differential-to-HSTL Fanout Buffer. The ICS8524 has two selectable clock inputs. The CLK, nCLK pair can accept most standard differential input levels. The PCLK, nPCLK pair can accept LVPECL, CML, or SSTL input levels. The device is internally synchronized to eliminate runt pulses on the outputs during asynchronous assertion/deassertion of the OE pin. The ICS8524's low output and part-to-part skew characteristics make it ideal for workstation, server, and other high performance clock distribution applications.

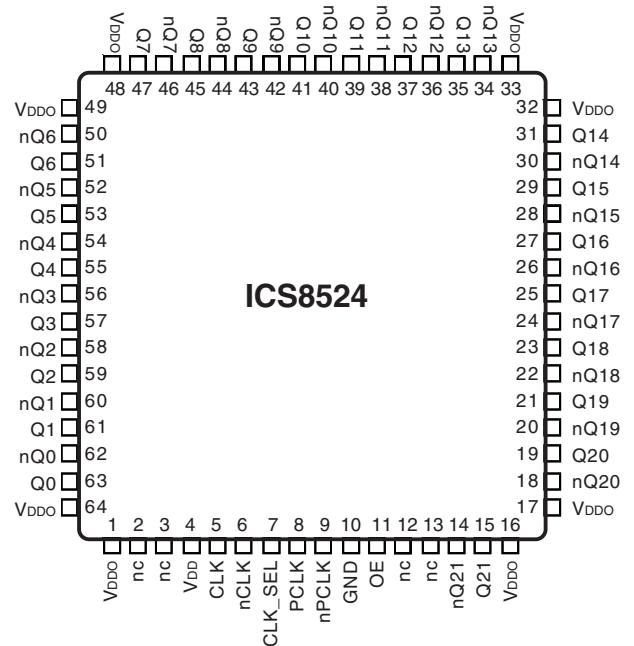
FEATURES

- Twenty-two differential HSTL outputs each with the ability to drive 50Ω to ground
- Selectable differential CLK, nCLK or LVPECL clock inputs
- CLK, nCLK pair can accept the following differential input levels: LVPECL, LVDS, HSTL, SSTL, HCSL
- PCLK, nPCLK supports the following input types: LVPECL, CML, SSTL
- Maximum output frequency: 500MHz
- Translates any single-ended input signal (LVCMOS, LVTTTL, GTL) to HSTL levels with resistor bias on nCLK input
- Output skew: 80ps (maximum)
- Part-to-part skew: 700ps (maximum)
- Jitter, RMS: 0.04ps (typical)
- LVPECL and HSTL mode operating voltage supply range: $V_{DD} = 3.3V \pm 5\%$, $V_{DDO} = 1.6V$ to $2V$, $GND = 0V$
- 0°C to 85°C ambient operating temperature

BLOCK DIAGRAM



PIN ASSIGNMENT



64-Lead TQFP E-Pad
10mm x 10mm x 1.0mm package body
Y package
Top View



ICS8524

LOW SKEW, 1-TO-22 DIFFERENTIAL-TO-HSTL FANOUT BUFFER

TABLE 1. PIN DESCRIPTIONS

| Number | Name | Type | | Description |
|-------------------------------|------------------|--------|---------------------|--|
| 1, 16, 17, 32, 33, 48, 49, 64 | V _{DDO} | Power | | Output supply pins. |
| 2, 3, 12, 13 | nc | Unused | | No connect. |
| 4 | V _{DD} | Power | | Core supply pin. |
| 5 | CLK | Input | Pulldown | Non-inverting differential clock input pair. |
| 6 | nCLK | Input | Pullup/ Pulldown | Inverting differential clock input pair. Biased to $\frac{2}{3} V_{CC}$. |
| 7 | CLK_SEL | Input | Pullup | Clock select input. When HIGH, selects PCLK, nPCLK inputs. When LOW, selects CLK, nCLK inputs. LVCMOS / LVTTTL interface levels. |
| 8 | PCLK | Input | Pulldown | Non-inverting differential LVPECL clock input pair. |
| 9 | nPCLK | Input | Pullup/ Pulldown | Inverting differential LVPECL clock input pair. Biased to $\frac{2}{3} V_{CC}$. |
| 10 | GND | Power | | Power supply ground. |
| 11 | OE | Input | Pullup | Output enable. Controls enabling and disabling of outputs Q0:Q21, nQ0:nQ21. LVCMOS / LVTTTL interface levels. |
| 14, 15 | nQ21, Q21 | Output | | Differential clock outputs. HSTL interface levels. |
| 18, 19 | nQ20, Q20 | Output | | Differential clock outputs. HSTL interface levels. |
| 20, 21 | nQ19, Q19 | Output | | Differential clock outputs. HSTL interface levels. |
| 22, 23 | nQ18, Q18 | Output | | Differential clock outputs. HSTL interface levels. |
| 24, 25 | nQ17, Q17 | Output | | Differential clock outputs. HSTL interface levels. |
| 26, 27 | nQ16, Q16 | Output | | Differential clock outputs. HSTL interface levels. |
| 28, 29 | nQ15, Q15 | Output | | Differential clock outputs. HSTL interface levels. |
| 30, 31 | nQ14, Q14 | Output | | Differential clock outputs. HSTL interface levels. |
| 34, 35 | nQ13, Q13 | Output | | Differential clock outputs. HSTL interface levels. |
| 36, 37 | nQ12, Q12 | Output | | Differential clock outputs. HSTL interface levels. |
| 38, 39 | nQ11, Q11 | Output | | Differential clock outputs. HSTL interface levels. |
| 40, 41 | nQ10, Q10 | Output | | Differential clock outputs. HSTL interface levels. |
| 42, 43 | nQ9, Q9 | Output | | Differential clock outputs. HSTL interface levels. |
| 44, 45 | nQ8, Q8 | Output | | Differential clock outputs. HSTL interface levels. |
| 46, 47 | nQ7, Q7 | Output | | Differential clock outputs. HSTL interface levels. |
| 50, 51 | nQ6, Q6 | Output | | Differential clock outputs. HSTL interface levels. |
| 52, 53 | nQ5, Q5 | Output | | Differential clock outputs. HSTL interface levels. |
| 54, 55 | nQ4, Q4 | Output | | Differential clock outputs. HSTL interface levels. |
| 56, 57 | nQ3, Q3 | Output | | Differential clock outputs. HSTL interface levels. |
| 58, 59 | nQ2, Q2 | Output | | Differential clock outputs. HSTL interface levels. |
| 60, 61 | nQ1, Q1 | Output | | Differential clock outputs. HSTL interface levels. |
| 62, 63 | nQ0, Q0 | Output | | Differential clock outputs. HSTL interface levels. |

NOTE: *Pullup* and *Pulldown* refer to internal input resistors. See Table 2, Pin Characteristics, for typical values.

TABLE 2. PIN CHARACTERISTICS

| Symbol | Parameter | Test Conditions | Minimum | Typical | Maximum | Units |
|----------------|-------------------------|-----------------|---------|---------|---------|-----------|
| C_{IN} | Input Capacitance | | | 4 | | pF |
| R_{PULLUP} | Input Pullup Resistor | | | 37 | | $K\Omega$ |
| $R_{PULLDOWN}$ | Input Pulldown Resistor | | | 75 | | $K\Omega$ |

TABLE 3A. CONTROL INPUT FUNCTION TABLE

| Inputs | | Outputs | |
|--------|---------|---------|----------|
| OE | CLK_SEL | Q0:Q21 | nQ0:nQ21 |
| 0 | 0 | LOW | HIGH |
| 0 | 1 | LOW | HIGH |
| 1 | 0 | CLK | nCLK |
| 1 | 1 | PCLK | nPCLK |

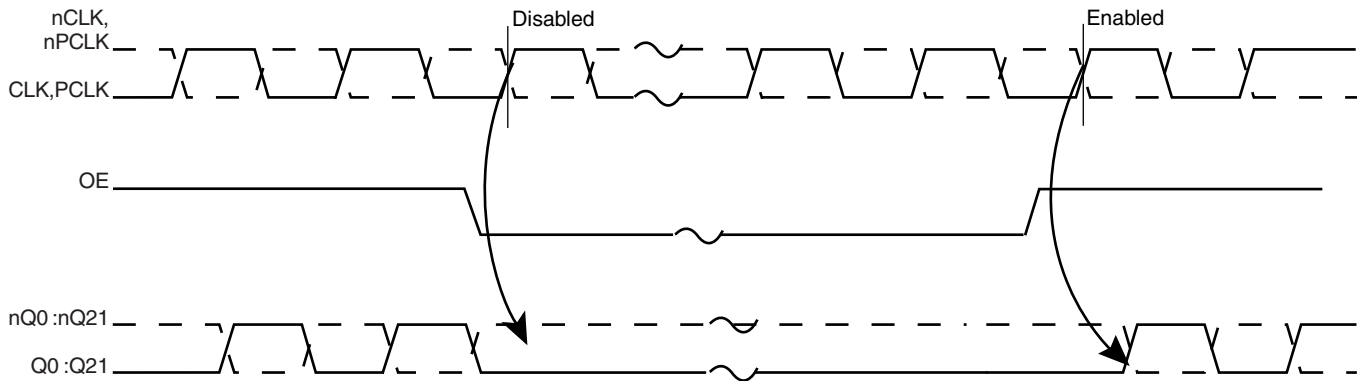


FIGURE 1. OE TIMING DIAGRAM



ICS8524

LOW SKEW, 1-TO-22 DIFFERENTIAL-TO-HSTL FANOUT BUFFER

ABSOLUTE MAXIMUM RATINGS

| | |
|--|--------------------------|
| Supply Voltage, V_{DD} | 4.6V |
| Inputs, V_I | -0.5V to $V_{DD} + 0.5V$ |
| Outputs, I_O | |
| Continuous Current | 50mA |
| Surge Current | 100mA |
| Package Thermal Impedance, θ_{JA} | 22.3°C/W (0 lfpm) |
| Storage Temperature, T_{STG} | -65°C to 150°C |

NOTE: Stresses beyond those listed under Absolute Maximum Ratings may cause permanent damage to the device. These ratings are stress specifications only. Functional operation of product at these conditions or any conditions beyond those listed in the *DC Characteristics* or *AC Characteristics* is not implied. Exposure to absolute maximum rating conditions for extended periods may affect product reliability.

TABLE 4A. POWER SUPPLY DC CHARACTERISTICS, $V_{DD} = 3.3V \pm 5\%$, $V_{DDO} = 1.8V \pm 0.2V$, $T_A = 0^\circ C$ TO $85^\circ C$

| Symbol | Parameter | Test Conditions | Minimum | Typical | Maximum | Units |
|-----------|-----------------------------|-----------------|---------|---------|---------|-------|
| V_{DD} | Core Supply Voltage | | 3.135 | 3.3 | 3.465 | V |
| V_{DDO} | Output Power Supply Voltage | | 1.6 | 1.8 | 2.0 | V |
| I_{DD} | Power Supply Current | | | | 220 | mA |
| I_{DDO} | Output Supply Current | No Load | | 1 | | mA |

TABLE 4B. LVCMOS / LVTTTL DC CHARACTERISTICS, $V_{DD} = 3.3V \pm 5\%$, $V_{DDO} = 1.8V \pm 0.2V$, $T_A = 0^\circ C$ TO $85^\circ C$

| Symbol | Parameter | Test Conditions | Minimum | Typical | Maximum | Units |
|----------|--------------------|-----------------|---------|---------|----------------|---------|
| V_{IH} | Input High Voltage | | 2 | | $V_{DD} + 0.3$ | V |
| V_{IL} | Input Low Voltage | | -0.3 | | 0.8 | V |
| I_{IH} | Input High Current | OE, CLK_SEL | | | 5 | μA |
| I_{IL} | Input Low Current | OE, CLK_SEL | -150 | | | μA |

TABLE 4C. DIFFERENTIAL DC CHARACTERISTICS, $V_{DD} = 3.3V \pm 5\%$, $V_{DDO} = 1.8V \pm 0.2V$, $T_A = 0^\circ C$ TO $85^\circ C$

| Symbol | Parameter | Test Conditions | Minimum | Typical | Maximum | Units |
|-----------|--------------------------------------|---|-----------|---------|-----------------|---------|
| I_{IH} | Input High Current | CLK, nCLK $V_{DD} = V_{IN} = 3.465V$ | | | 150 | μA |
| I_{IL} | Input Low Current | CLK, nCLK $V_{DD} = 3.465V, V_{IN} = 0V$ | -150 | | | μA |
| V_{PP} | Peak-to-Peak Input Voltage | | 0.15 | | 1.3 | V |
| V_{CMR} | Common Mode Input Voltage; NOTE 1, 2 | | GND + 0.5 | | $V_{DD} - 0.85$ | V |

NOTE 1: Common mode voltage is defined as V_{IH} .

NOTE 2: For single ended applications, the maximum input voltage for CLK and nCLK is $V_{DD} + 0.3V$.



TABLE 4D. LVPECL DC CHARACTERISTICS, $V_{DD} = 3.3V \pm 5\%$, $V_{DDO} = 1.8V \pm 0.2V$, $T_A = 0^\circ C$ TO $85^\circ C$

| Symbol | Parameter | Test Conditions | Minimum | Typical | Maximum | Units |
|-----------|--------------------------------------|---|-----------|---------|----------|---------|
| I_{IH} | Input High Current | PCLK, nPCLK $V_{DD} = V_{IN} = 3.465V$ | | | 150 | μA |
| I_{IL} | Input Low Current | PCLK, nPCLK $V_{DD} = 3.465V, V_{IN} = 0V$ | -150 | | | μA |
| V_{PP} | Peak-to-Peak Input Voltage | | 0.3 | | 1 | V |
| V_{CMR} | Common Mode Input Voltage; NOTE 1, 2 | | GND + 1.5 | | V_{DD} | V |

NOTE 1: Common mode voltage is defined as V_{IH} .

NOTE 2: For single ended applications, the maximum input voltage for PCLK and nPCLK is $V_{DD} + 0.3V$.

TABLE 4E. HSTL DC CHARACTERISTICS, $V_{DD} = 3.3V \pm 5\%$, $V_{DDO} = 1.8V \pm 0.2V$, $T_A = 0^\circ C$ TO $85^\circ C$

| Symbol | Parameter | Test Conditions | Minimum | Typical | Maximum | Units |
|-------------|-----------------------------------|-----------------|---------|---------|---------|-------|
| V_{OH} | Output High Voltage; NOTE 1 | | 1.0 | | 1.4 | V |
| V_{OL} | Output Low Voltage; NOTE 1 | | 0 | | 0.4 | V |
| V_{OX} | Output Crossover Voltage; NOTE 2 | | 40 | | 60 | % |
| V_{SWING} | Peak-to-Peak Output Voltage Swing | | 0.6 | | 1.1 | V |

NOTE 1: Outputs terminated with 50Ω to ground.

NOTE 2: Defined with respect to output voltage swing at a given condition.

TABLE 5. AC CHARACTERISTICS, $V_{DD} = 3.3V \pm 5\%$, $V_{DDO} = 1.8V \pm 0.2V$, $T_A = 0^\circ C$ TO $85^\circ C$

| Symbol | Parameter | Test Conditions | Minimum | Typical | Maximum | Units |
|--------------|---|-----------------------|---------|---------|---------|-------|
| f_{MAX} | Output Frequency | | | | 500 | MHz |
| t_{PD} | Propagation Delay; NOTE 1 | | 1.7 | | 2.7 | ns |
| $t_{sk(o)}$ | Output Skew; NOTE 2, 4 | | | | 80 | ps |
| $t_{sk(pp)}$ | Part-to-Part Skew; NOTE 3, 4 | | | | 700 | ps |
| f_{jit} | Buffer Additive Phase Jitter, RMS; refer to Additive Phase Jitter section | | | 0.04 | | ps |
| t_R / t_F | Output Rise/Fall Time | 20% to 80% | 300 | | 700 | ps |
| t_S | Setup Time | | 1.0 | | | ns |
| t_H | Hold Time | | 0.5 | | | ns |
| odc | Output Duty Cycle | $f \leq 133MHz$ | 49 | | 51 | % |
| | | $133 < f \leq 266MHz$ | 48 | | 52 | % |

NOTE 1: Measured from the differential input crossing point to the differential output crossing point.

NOTE 2: Defined as skew between outputs at the same supply voltage and with equal load conditions. Measured at the output differential cross points.

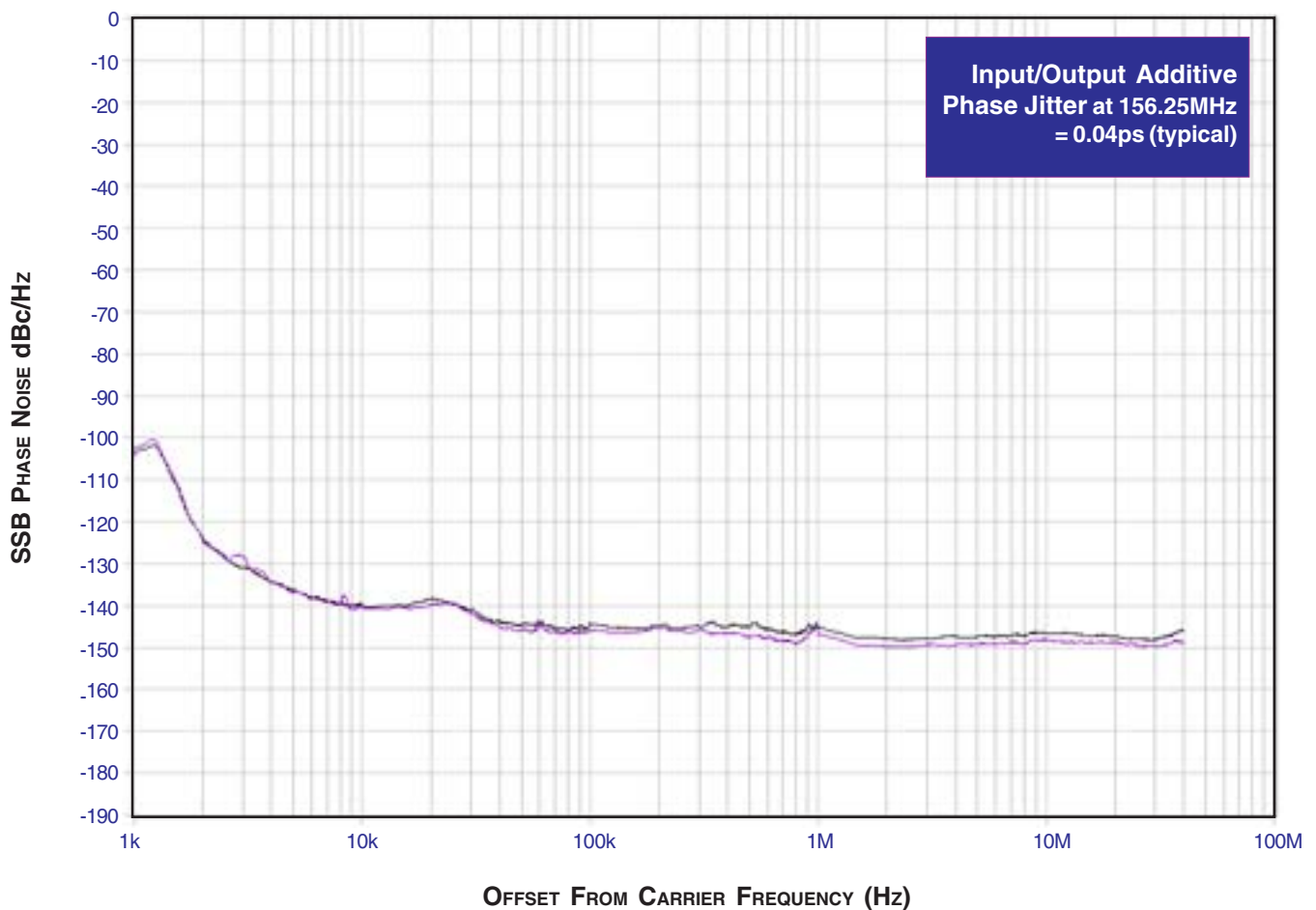
NOTE 3: Defined as skew between outputs on different devices operating at the same supply voltages and with equal load conditions at the same temperature. Using the same type of inputs on each device, the outputs are measured at the differential cross points.

NOTE 4: This parameter is defined in accordance with JEDEC Standard 65.

ADDITIVE PHASE JITTER

The spectral purity in a band at a specific offset from the fundamental compared to the power of the fundamental is called the **dBc Phase Noise**. This value is normally expressed using a Phase noise plot and is most often the specified plot in many applications. Phase noise is defined as the ratio of the noise power present in a 1Hz band at a specified offset from the fundamental frequency to the power value of the fundamental. This ratio is expressed in decibels (dBm) or a ratio of the power in

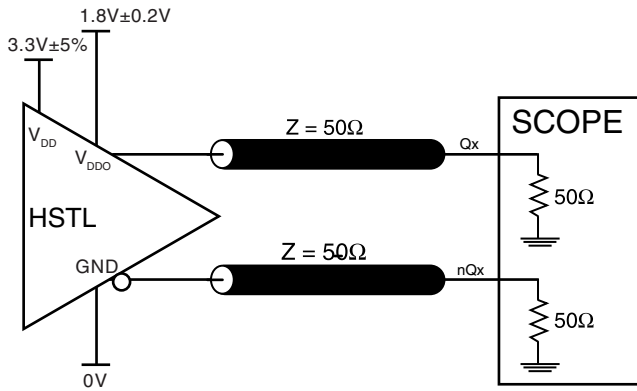
the 1Hz band to the power in the fundamental. When the required offset is specified, the phase noise is called a **dBc** value, which simply means dBm at a specified offset from the fundamental. By investigating jitter in the frequency domain, we get a better understanding of its effects on the desired application over the entire time record of the signal. It is mathematically possible to calculate an expected bit error rate given a phase noise plot.



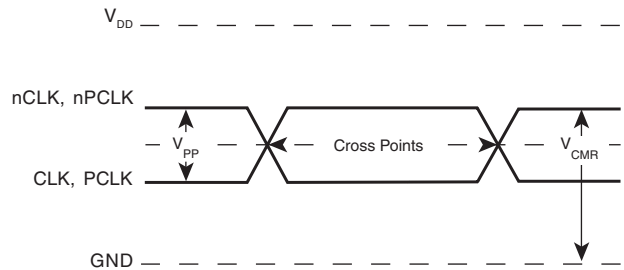
As with most timing specifications, phase noise measurements have issues. The primary issue relates to the limitations of the equipment. Often the noise floor of the equipment is higher than the noise floor of the device. This is illustrated above. The de-

vice meets the noise floor of what is shown, but can actually be lower. The phase noise is dependant on the input source and measurement equipment.

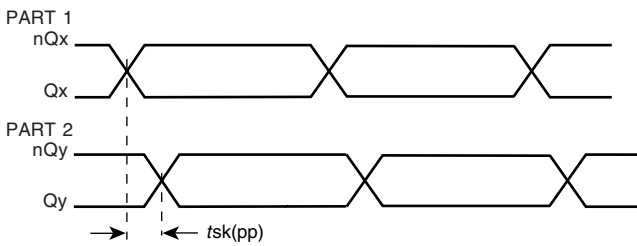
PARAMETER MEASUREMENT INFORMATION



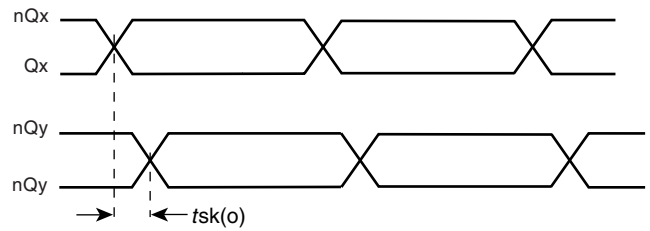
3.3V CORE/1.8V OUTPUT LOAD AC TEST CIRCUIT



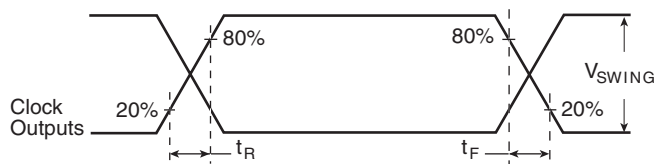
DIFFERENTIAL INPUT LEVEL



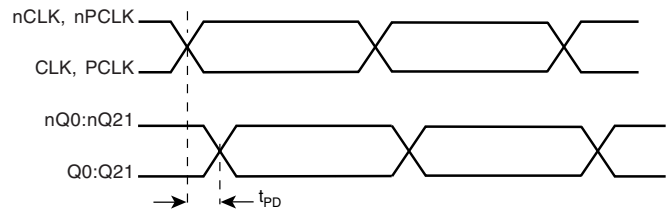
PART-TO-PART SKEW



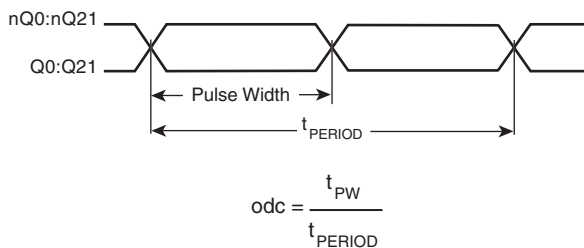
OUTPUT SKEW



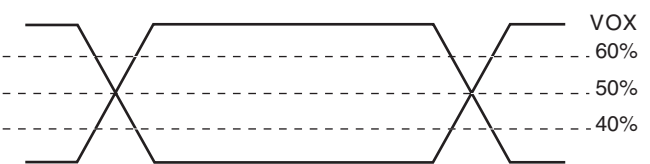
OUTPUT RISE/FALL TIME



PROPAGATION DELAY



OUTPUT DUTY CYCLE/PULSE WIDTH/PERIOD



OUTPUT CROSSOVER VOLTAGE

APPLICATION INFORMATION

WIRING THE DIFFERENTIAL INPUT TO ACCEPT SINGLE ENDED LEVELS

Figure 2 shows how the differential input can be wired to accept single ended levels. The reference voltage $V_{REF} = V_{DD}/2$ is generated by the bias resistors R1, R2 and C1. This bias circuit should be located as close as possible to the input pin.

of R1 and R2 might need to be adjusted to position the V_{REF} in the center of the input voltage swing. For example, if the input clock swing is only 2.5V and $V_{DD} = 3.3V$, V_{REF} should be 1.25V and $R2/R1 = 0.609$.

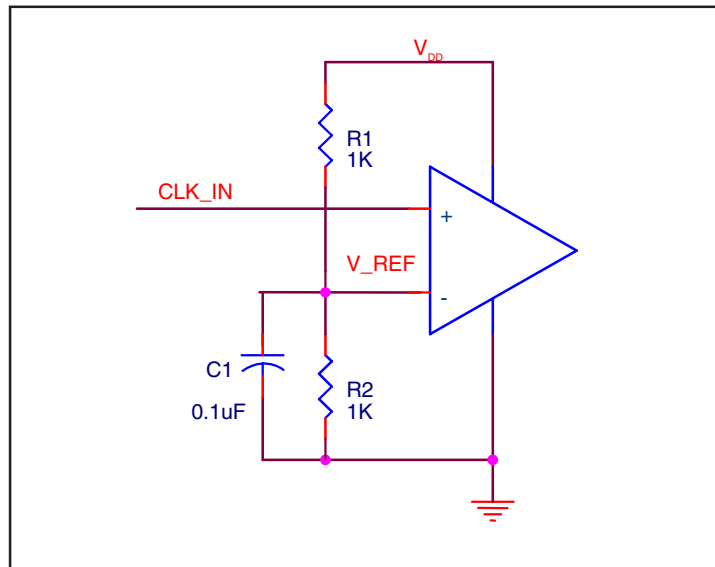


FIGURE 2. SINGLE ENDED SIGNAL DRIVING DIFFERENTIAL INPUT

DIFFERENTIAL CLOCK INPUT INTERFACE

The CLK /nCLK accepts LVDS, LVPECL, HSTL, SSTL, HCSL and other differential signals. Both V_{SWING} and V_{OH} must meet the V_{PP} and V_{CMR} input requirements. Figures 3A to 3E show interface examples for the CLK/nCLK input driven by the most common driver types. The input inter-

faces suggested here are examples only. Please consult with the vendor of the driver component to confirm the driver termination requirements. For example in *Figure 4A*, the input termination applies for HSTL drivers. If you are using an LVHSTL driver from another vendor, use their termination recommendation.

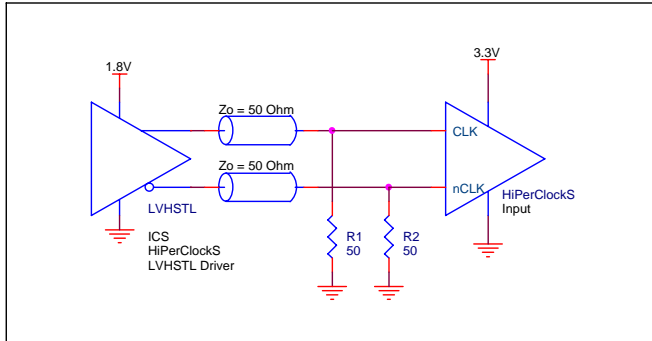


FIGURE 3A. CLK/nCLK INPUT DRIVEN BY HSTL DRIVER

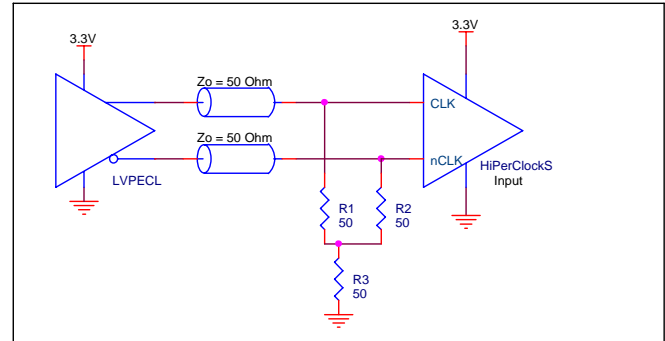


FIGURE 3B. CLK/nCLK INPUT DRIVEN BY 3.3V LVPECL DRIVER

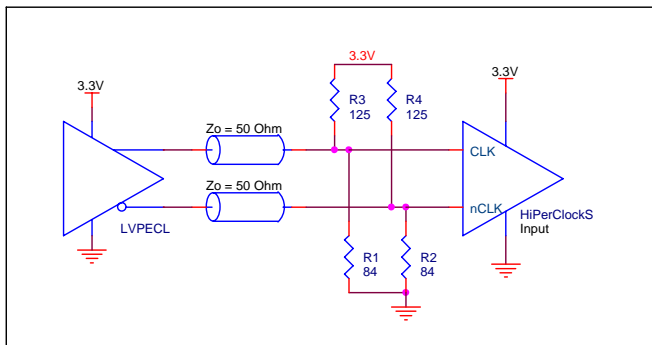


FIGURE 3C. CLK/nCLK INPUT DRIVEN BY 3.3V LVPECL DRIVER

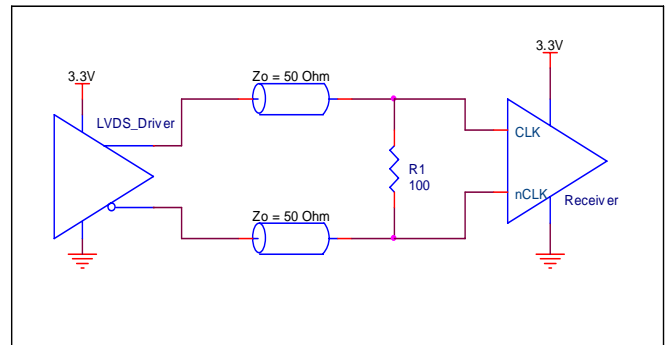


FIGURE 3D. CLK/nCLK INPUT DRIVEN BY 3.3V LVDS DRIVER

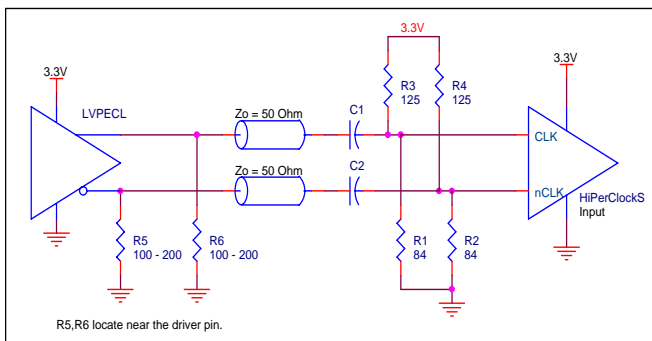


FIGURE 3E. CLK/nCLK INPUT DRIVEN BY 3.3V LVPECL DRIVER WITH AC COUPLE

LVPECL CLOCK INPUT INTERFACE

The PCLK /nPCLK accepts LVPECL, CML, SSTL and other differential signals. Both V_{SWING} and V_{OH} must meet the V_{PP} and V_{CMR} input requirements. Figures 4A to 4E show interface examples for the PCLK/nPCLK input driven by the most common driver types. The input interfaces sug-

gested here are examples only. If the driver is from another vendor, use their termination recommendation. Please consult with the vendor of the driver component to confirm the driver termination requirements.

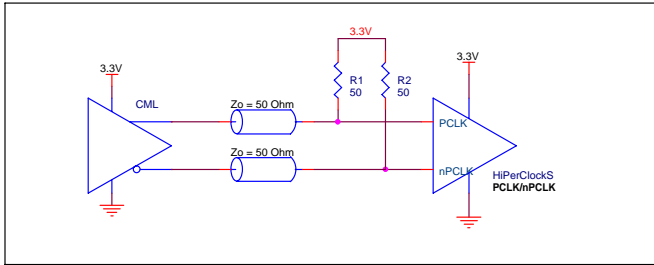


FIGURE 4A. PCLK/nPCLK INPUT DRIVEN BY A CML DRIVER

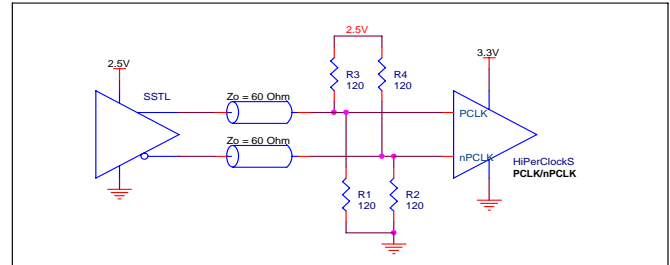


FIGURE 4B. PCLK/nPCLK INPUT DRIVEN BY AN SSTL DRIVER

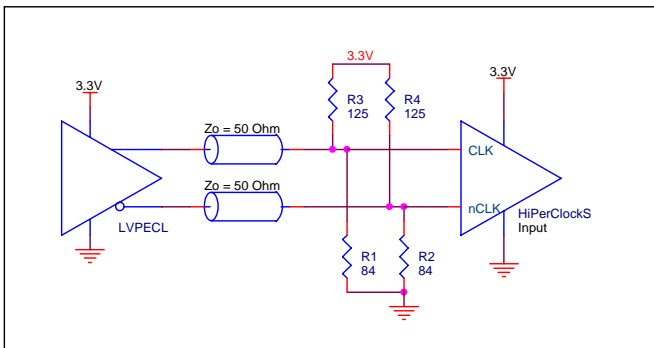


FIGURE 4C. PCLK/nPCLK INPUT DRIVEN BY A 3.3V LVPECL DRIVER

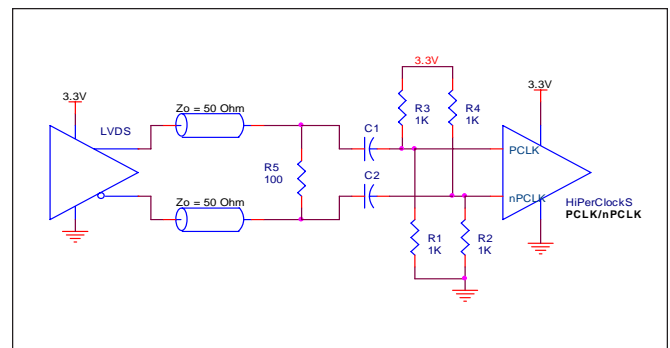


FIGURE 4D. PCLK/nPCLK INPUT DRIVEN BY A 3.3V LVDS DRIVER

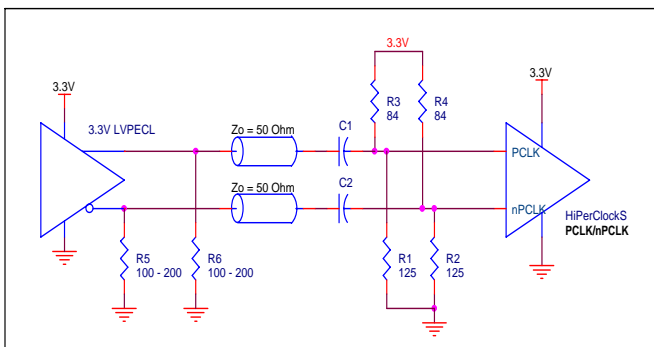


FIGURE 4E. PCLK/nPCLK INPUT DRIVEN BY A 3.3V LVPECL DRIVER WITH AC COUPLE

SCHEMATIC EXAMPLE

Figure 5 shows a schematic example of the ICS8524. In this example, the input is driven by a HSTL driver. The decoupling

capacitors should be physically located near the power pin. For ICS8524, the unused clock outputs can be left floating.

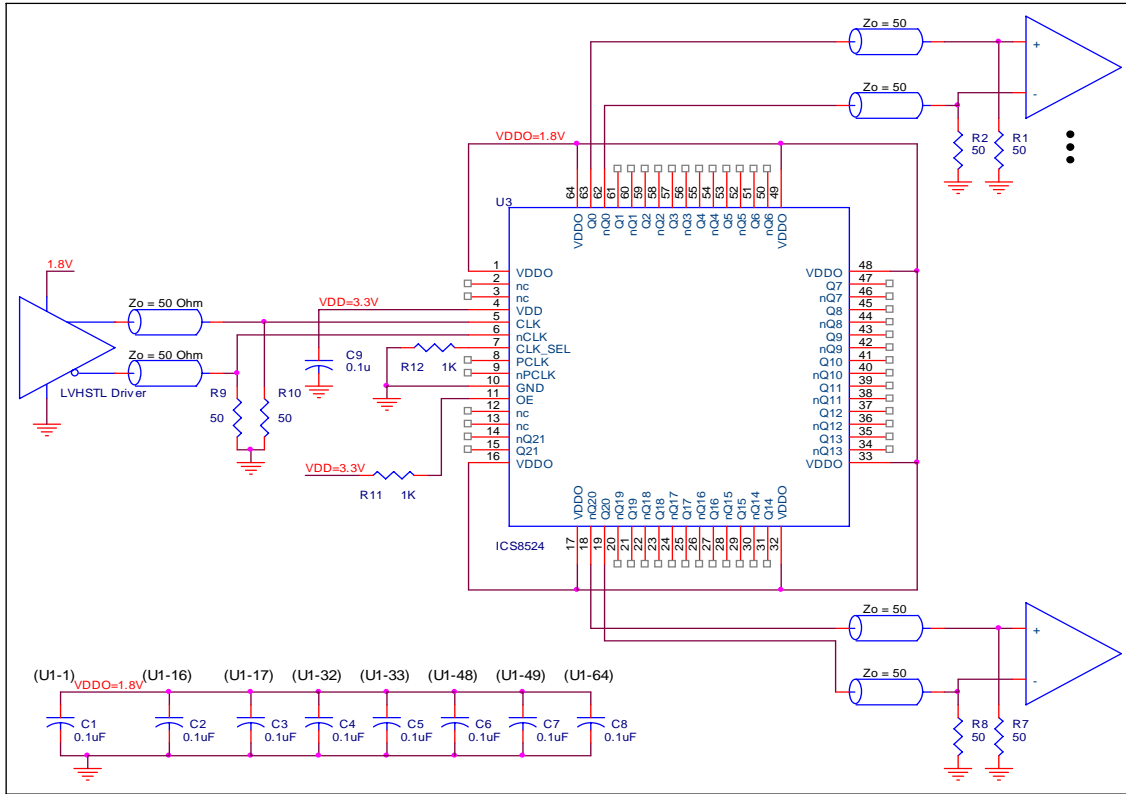


FIGURE 5. ICS8524 HSTL BUFFER SCHEMATIC EXAMPLE

THERMAL RELEASE PATH

The expose metal pad provides heat transfer from the device to the P.C. board. The expose metal pad is ground pad connected to ground plane through thermal via. The exposed pad on the device to the exposed metal pad on the PCB is contacted through

solder as shown in Figure 6. For further information, please refer to the Application Note on Surface Mount Assembly of Amkor's Thermally /Electrically Enhance Leadframe Base Package, Amkor Technology.

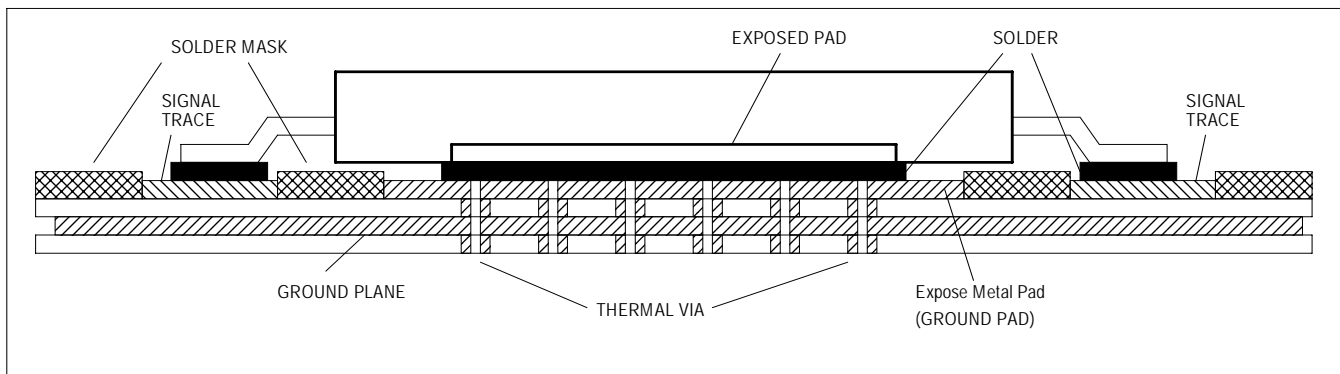


FIGURE 6. P.C. BOARD FOR EXPOSED PAD THERMAL RELEASE PATH EXAMPLE

POWER CONSIDERATIONS

This section provides information on power dissipation and junction temperature for the ICS8524. Equations and example calculations are also provided.

1. Power Dissipation.

The total power dissipation for the ICS8524 is the sum of the core power plus the power dissipated in the load(s). The following is the power dissipation for $V_{DD} = 3.3V + 5\% = 3.465V$, which gives worst case results.

NOTE: Please refer to Section 3 for details on calculating power dissipated in the load.

- Power (core)_{MAX} = $V_{DD_MAX} * I_{DD_MAX} = 3.465V * 220mA = 762.3mW$
- Power (outputs)_{MAX} = **32.8mW/Loaded Output pair**
 If all outputs are loaded, the total power is $22 * 32.8mW = 721.6mW$

Total Power_{MAX} (3.465V, with all outputs switching) = $762.3mW + 721.6mW = 1483.9mW$

2. Junction Temperature.

Junction temperature, T_j , is the temperature at the junction of the bond wire and bond pad and directly affects the reliability of the device. The maximum recommended junction temperature for the devices is 125°C.

The equation for T_j is as follows: $T_j = \theta_{JA} * Pd_total + T_A$

T_j = Junction Temperature

θ_{JA} = Junction-to-Ambient Thermal Resistance

Pd_total = Total Device Power Dissipation (example calculation is in section 1 above)

T_A = Ambient Temperature

In order to calculate junction temperature, the appropriate junction-to-ambient thermal resistance θ_{JA} must be used. Assuming an air flow of 500 linear feet per minute and a multi-layer board, the appropriate value is 15.1°C/W per Table 6 below.

Therefore, T_j for an ambient temperature of 85°C with all outputs switching is:

$85^\circ C + 1.484W * 15.1^\circ C/W = 107.4^\circ C$. This is well below the limit of 125°C.

This calculation is only an example. T_j will obviously vary depending on the number of loaded outputs, supply voltage, air flow, and the type of board (single layer or multi-layer).

TABLE 6. THERMAL RESISTANCE θ_{JA} FOR 64-PIN TQFP, E-PAD FORCED CONVECTION

| θ_{JA} by Velocity (Linear Feet per Minute) | | | |
|---|----------|------------|------------|
| | 0 | 200 | 500 |
| Multi-Layer PCB, JEDEC Standard Test Boards | 22.3°C/W | 17.2°C/W | 15.1°C/W |
| NOTE: Most modern PCB designs use multi-layered boards. The data in the second row pertains to most designs. | | | |

3. Calculations and Equations.

The purpose of this section is to derive the power dissipated into the load.

HSTL output driver circuit and termination are shown in *Figure 7*.

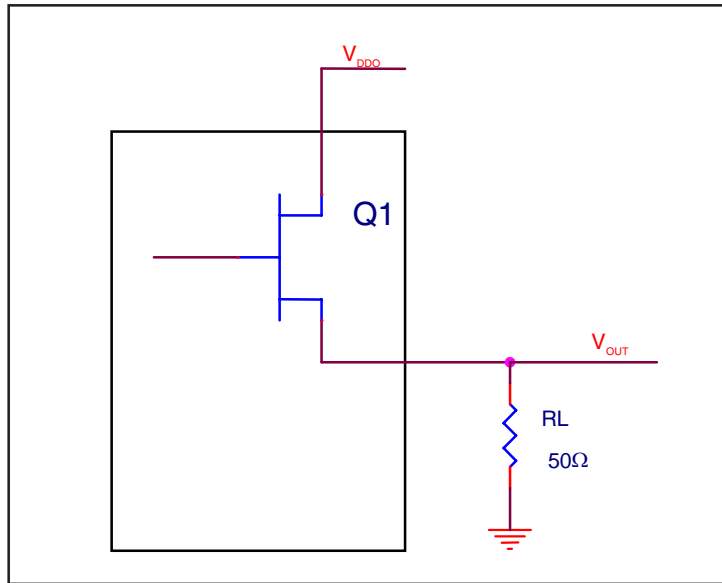


FIGURE 7. HSTL DRIVER CIRCUIT AND TERMINATION

To calculate worst case power dissipation into the load, use the following equations which assume a 50Ω load.

Pd_H is power dissipation when the output drives high.

Pd_L is the power dissipation when the output drives low.

$$Pd_H = (V_{OH_MIN} / R_L) * (V_{DDO_MAX} - V_{OH_MIN})$$

$$Pd_L = (V_{OL_MAX} / R_L) * (V_{DDO_MAX} - V_{OL_MAX})$$

$$Pd_H = (1V/50\Omega) * (2V - 1V) = \mathbf{20mW}$$

$$Pd_L = (0.4V/50\Omega) * (2V - 0.4V) = \mathbf{12.8mW}$$

$$\text{Total Power Dissipation per output pair} = Pd_H + Pd_L = \mathbf{32.8mW}$$



RELIABILITY INFORMATION

TABLE 7. θ_{JA} VS. AIR FLOW TABLE FOR 64 LEAD TQFP, E-PAD

| θ_{JA} by Velocity (Linear Feet per Minute) | | | |
|--|----------|----------|----------|
| | 0 | 200 | 500 |
| Multi-Layer PCB, JEDEC Standard Test Boards | 22.3°C/W | 17.2°C/W | 15.1°C/W |

NOTE: Most modern PCB designs use multi-layered boards. The data in the second row pertains to most designs.

TRANSISTOR COUNT

The transistor count for ICS8524 is: 1474

PACKAGE OUTLINE - Y SUFFIX FOR 64 LEAD TQFP, E-PAD

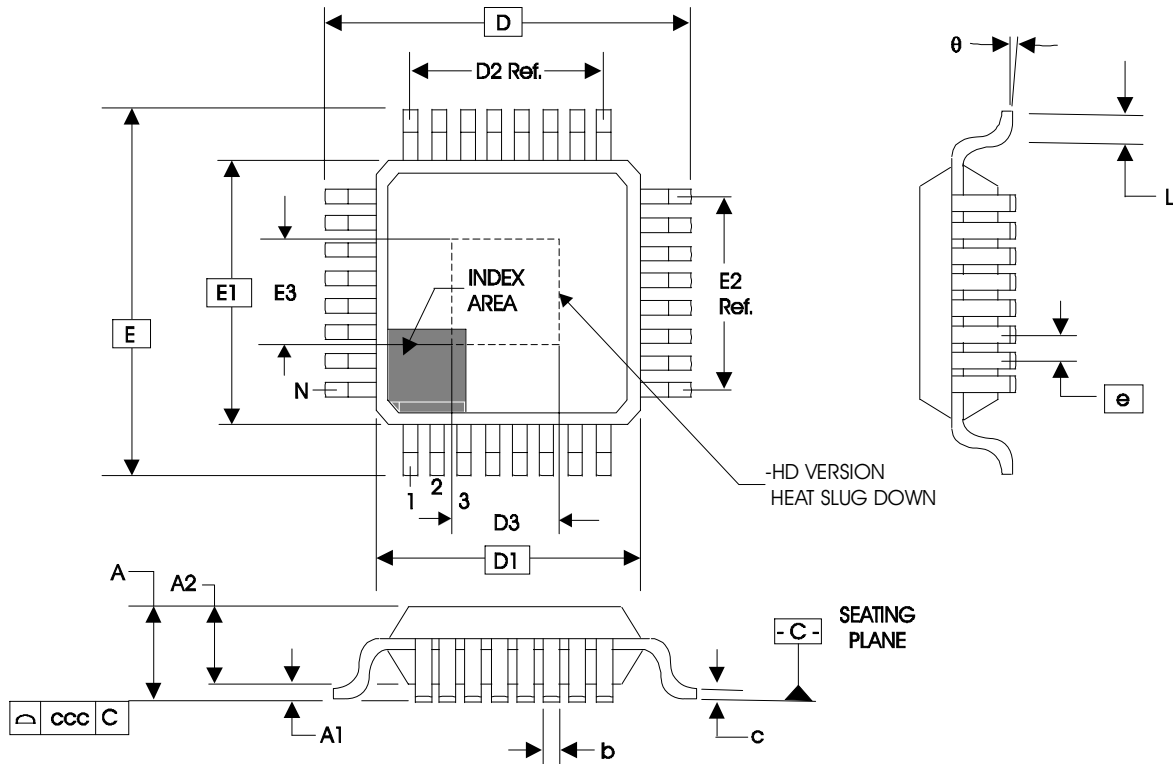


TABLE 8. PACKAGE DIMENSIONS

| JEDEC VARIATION ALL DIMENSIONS IN MILLIMETERS | | | |
|--|-------------|---------|---------|
| SYMBOL | ACD-HD | | |
| | MINIMUM | NOMINAL | MAXIMUM |
| N | 64 | | |
| A | -- | -- | 1.20 |
| A1 | 0.05 | 0.10 | 0.15 |
| A2 | 0.95 | 1.0 | 1.05 |
| b | 0.17 | 0.22 | 0.27 |
| c | 0.09 | -- | 0.20 |
| D | 12.00 BASIC | | |
| D1 | 10.00 BASIC | | |
| D2 | 7.50 Ref. | | |
| E | 12.00 BASIC | | |
| E1 | 10.00 BASIC | | |
| E2 | 7.50 Ref. | | |
| e | 0.50 BASIC | | |
| L | 0.45 | 0.60 | 0.75 |
| theta | 0° | -- | 7° |
| ccc | -- | -- | 0.08 |
| D3 & E3 | 2.0 | -- | 10.0 |

Reference Document: JEDEC Publication 95, MS-026



ICS8524
LOW SKEW, 1-TO-22
DIFFERENTIAL-TO-HSTL FANOUT BUFFER

TABLE 9. ORDERING INFORMATION

| Part/Order Number | Marking | Package | Shipping Packaging | Temperature |
|-------------------|-------------|--------------------------------------|--------------------|-------------|
| 8524AY | ICS8524AY | 64 lead TQFP, E-Pad | tray | 0°C to 85°C |
| 8524AYT | ICS8524AY | 64 lead TQFP, E-Pad on Tape and Reel | 500 | 0°C to 85°C |
| 8524AYLF | ICS8524AYLF | 64 lead TQFP, E-Pad | tray | 0°C to 85°C |
| 8524AYLFT | ICS8524AYLF | 64 lead TQFP, E-Pad on Tape and Reel | 500 | 0°C to 85°C |

NOTE: Parts that are ordered with an "LF" suffix to the part number are the Pb-Free configuration and are RoHS com

While the information presented herein has been checked for both accuracy and reliability, Integrated Device Technology, Inc. (IDT) assumes no responsibility for either its use or for infringement of any patents or other rights of third parties, which would result from its use. No other circuits, patents, or licenses are implied. This product is intended for use in normal commercial and industrial applications. Any other applications such as those requiring high reliability, or other extraordinary environmental requirements are not recommended without additional processing by IDT. IDT reserves the right to change any circuitry or specifications without notice. IDT does not authorize or warrant any IDT product for use in life support devices or critical medical instruments.



| REVISION HISTORY SHEET | | | | |
|------------------------|-------|------|--|----------|
| Rev | Table | Page | Description of Change | Date |
| B | T5 | 1 | Added Phase Jitter to Features section. | 9/18/03 |
| | | 5 | AC Characteristics Table - added Phase Jitter row. | |
| | | 6 | Added Additive Phase Jitter section. | |
| B | | 15 | Updated Package Outline and Package Dimensions Table. | 11/19/04 |
| B | T9 | 16 | Ordering Information Table - Added LF Marking and note | 8/1/07 |
| B | T9 | 10 | Updated datasheet's header/footer with IDT from ICS. | 12/6/10 |
| | | | Removed ICS prefix from Part/Order Number column. | |
| | | 12 | Added Contact Page. | |



ICS8524
LOW SKEW, 1-TO-22
DIFFERENTIAL-TO-HSTL FANOUT BUFFER

We've Got Your Timing Solution.



6024 Silver Creek Valley Road
San Jose, CA 95138

Sales
800-345-7015 (inside USA)
+408-284-8200 (outside USA)
Fax: 408-284-2775

Tech Support
netcom@idt.com

© 2010 Integrated Device Technology, Inc. All rights reserved. Product specifications subject to change without notice. IDT, the IDT logo, ICS and HiPerClockS are trademarks of Integrated Device Technology, Inc. Accelerated Thinking is a service mark of Integrated Device Technology, Inc. All other brands, product names and marks are or may be trademarks or registered trademarks used to identify products or services of their respective owners.
Printed in USA