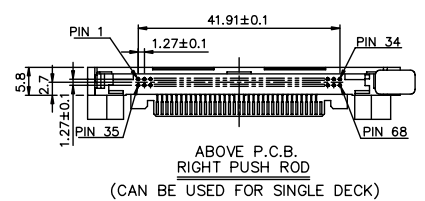
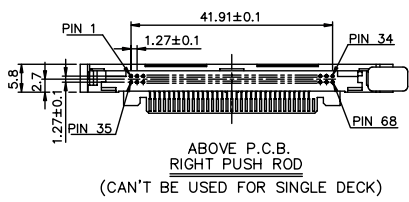
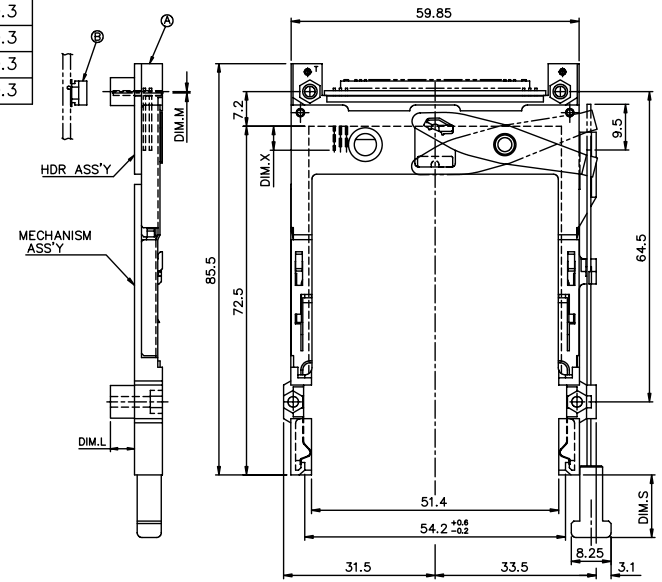
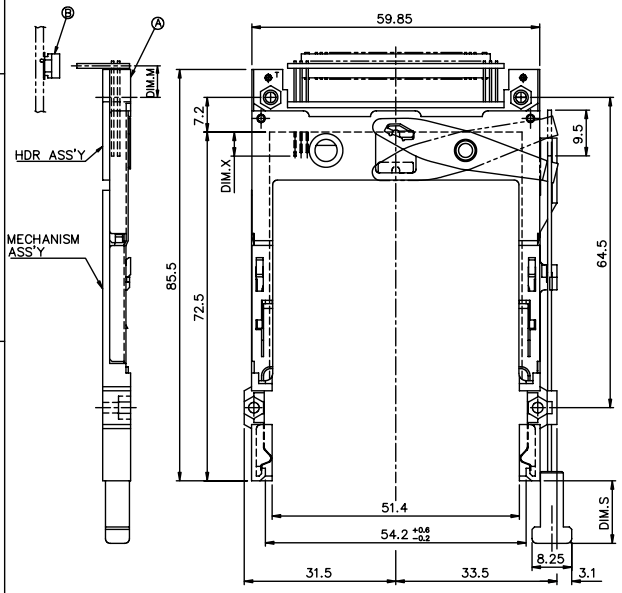


Tous droits strictement réservés. Reproduction ou communication à des tiers sans autorisation écrite du propriétaire.
 All rights strictly reserved. Reproduction or communication to third parties without written authority from the proprietor.
 Copyright BERG ELECTRONICS S.p.A.
 Droits de reproduction BERG ELECTRONICS S.p.A.

All rights strictly reserved. Reproduction or communication to third parties without written authority from the proprietor.
 Copyright BERG ELECTRONICS S.p.A.

PRODUCT NO.	DIM.M
95547-005**	10.0
95547-025**	9.0
95547-045**	6.55
95547-055**	6.55

PRODUCT NO.	DIM.M
95547-020**	2.15
95547-040**	-0.3
95547-050**	-0.3
95547-050**H	-0.3
95547-250**	-0.3



mat'l code		tolerance unless otherwise specified		CUSTOMER COPY		FCI		www.fci.com		
rev.	ecm no.	dr	date	linear	±0.30	projection	title			
N	N06-0034	M	Z 02/14/06				EJECTOR HEADER ASS'Y			
H	T00234	WL	07/28/04	angles	± 2°		5.0V, SMT TYPE 1/2/3			
J	T00374	WL	12/26/03	dr	WENDY CHEN 01/27/99	unit	product family			
K	T10149	WL	05/18/01	enrg	JOSEPH HSIA 01/27/99	mm/inch	size		code	
L	T03-0209	WL	06/02/03	chr	JOSEPH HSIA 01/27/99	scale	A3	95547	sheet	
M	N04-0092	WB	12/01/04	appd	JENN TSAO 01/27/99				1 of 12	
sheet	revision	L	M	L	N	L	M	M	N	L
index	sheet	1	2	3	4	5	6	7	8	9

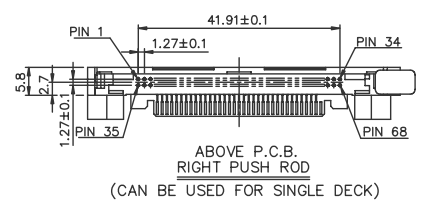
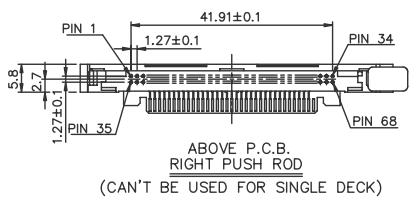
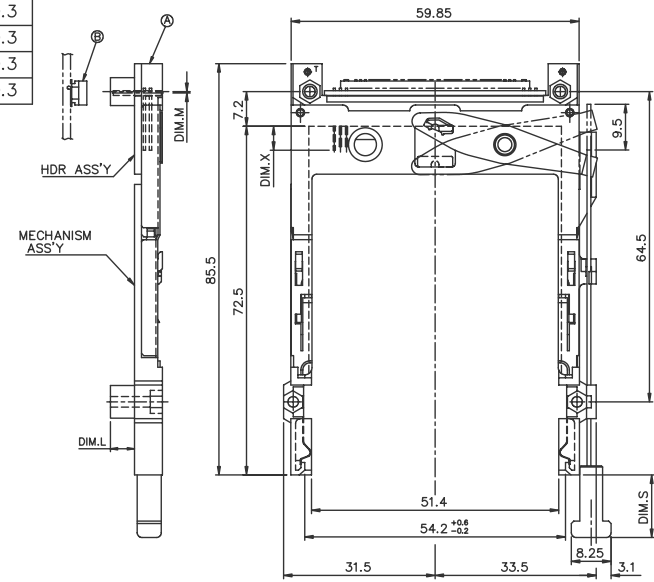
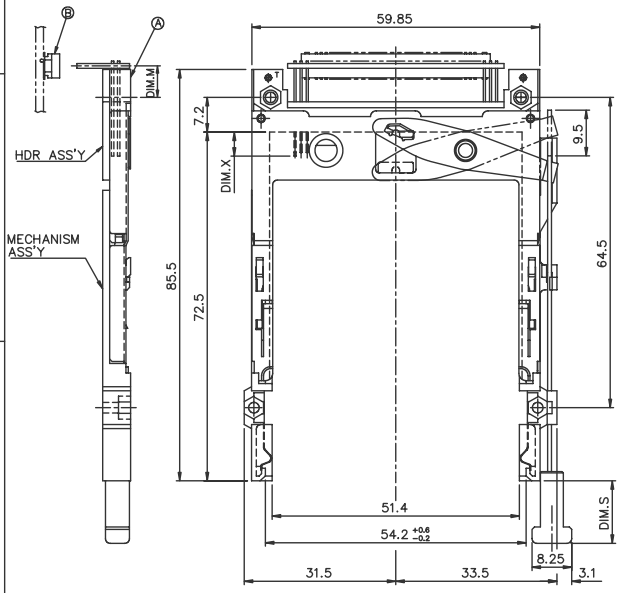
PDM: Rev:N STATUS:Released Printed: Oct 12, 2010

Tous droits strictement réservés. Reproduction ou communication à des tiers sans autorisation écrite du propriétaire.
 All rights strictly reserved. Reproduction or communication to third parties in any form without written authority from the proprietor.
 Copyright BERG ELECTRONICS S.A.

All rights strictly reserved. Reproduction or communication to third parties in any form without written authority from the proprietor.
 Copyright BERG ELECTRONICS S.A.

PRODUCT NO.	DIM.M
95547-005**LF	10.0
95547-025**LF	9.0
95547-045**LF	6.55
95547-055**LF	6.55

PRODUCT NO.	DIM.M
95547-020**LF	2.15
95547-040**LF	-0.3
95547-050**LF	-0.3
95547-050**HLF	-0.3
95547-250**LF	-0.3



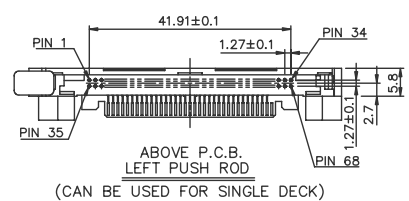
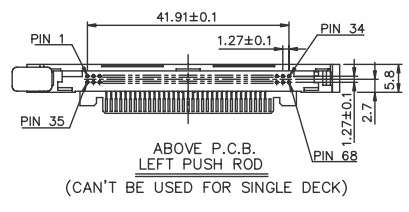
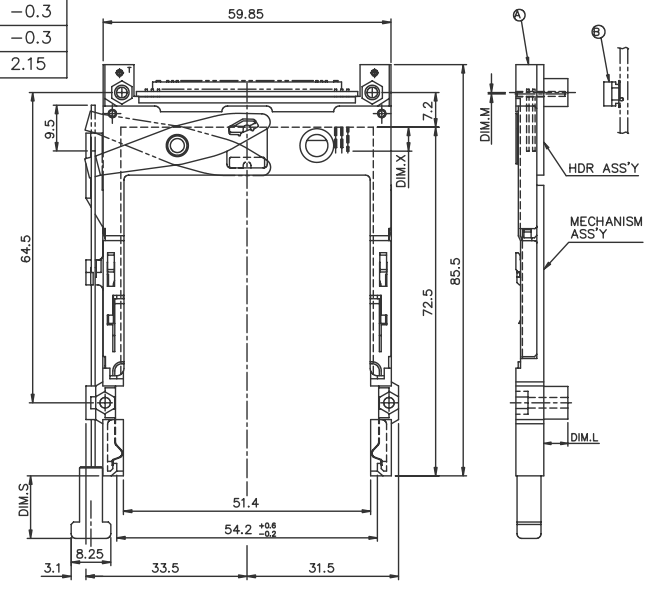
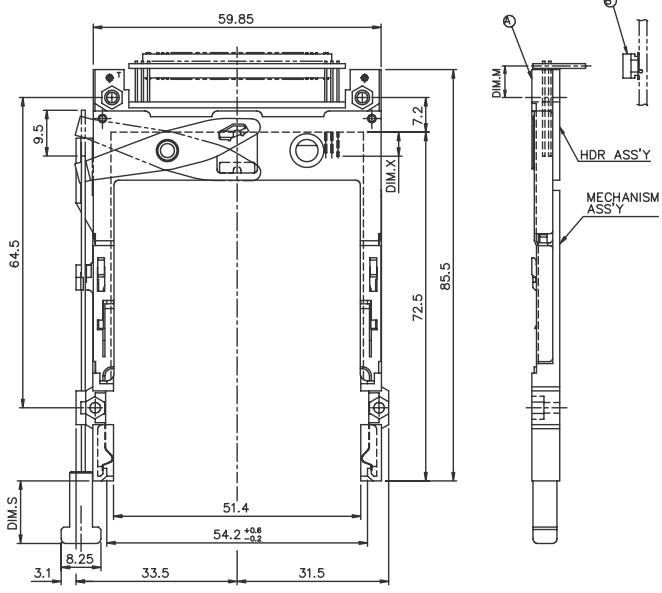
mat'l code				tolerance unless otherwise specified		CUSTOMER COPY		 www.fciconnect.com	
rev.	ecn	no.	dr	date	linear	± 0.30	projection	title	
M					angles	± 2°		EJECTOR HEADER ASS'Y	
					dr	WENDY CHEN 01/27/98	unit	product family	part no.
					engr	JOSEPH HSIA 01/27/98	mm/inch	size	dwg no.
					chr	JOSEPH HSIA 01/27/98	scale	A3	95547
					appd	JENN TSAO 01/27/98			sheet
sheet	revision								2 of
index	sheet								

PDM: Rev:N STATUS:Released Printed: Oct 12, 2010

Tous droits strictement réservés. Reproduction ou communication à des tiers sans autorisation écrite du propriétaire.
 All rights strictly reserved. Reproduction or communication to third parties in any form without written authority from the proprietor.
 Copyright BERG ELECTRONICS S.p.A. / FCI

PRODUCT NO.	DIM.M
95547-105**	10.0
95547-125**	9.0
95547-145**	6.55
95547-155**	6.55

PRODUCT NO.	DIM.M
95547-120**	2.15
95547-140**	-0.3
95547-150**	-0.3
95547-322**	2.15



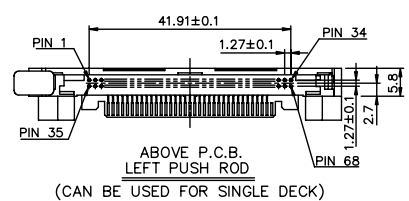
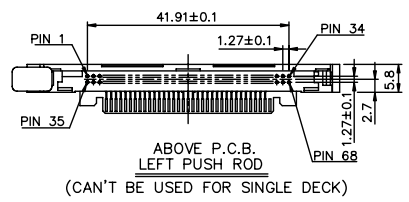
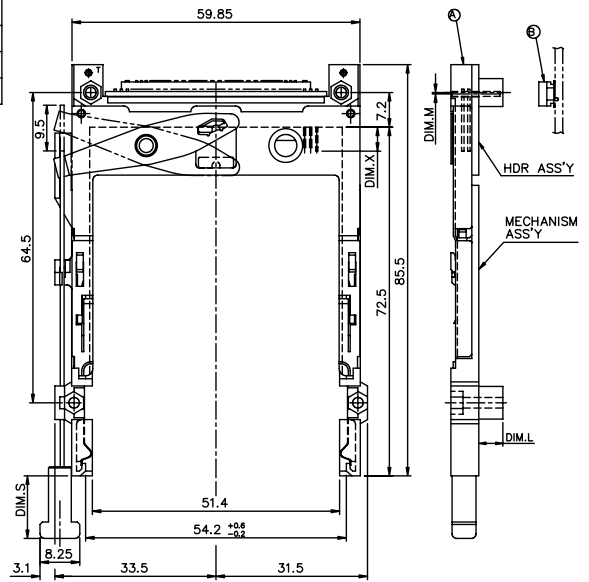
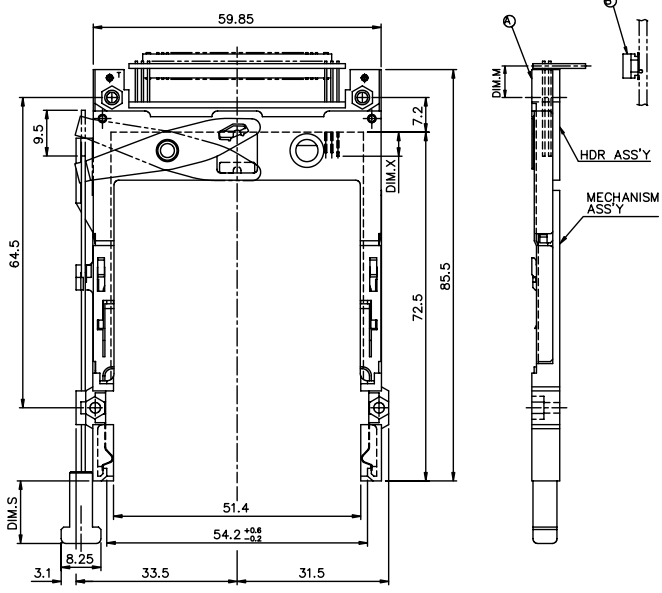
mat'l code				tolerance unless otherwise specified		CUSTOMER COPY		 www.fciconnect.com	
rev.	ecn no.	dr	date	linear	± 0.30	projection	title EJECTOR HEADER ASS'Y		
L				angles	± 2°		5.0V, SMT TYPE 1/2/3		
				dr	WENDY CHEN 01/27/99	unit	product family	PCBGA	code
				engr	JOSEPH HSIA 01/27/99	mm/inch	size	dwg no.	sheet
				chr	JOSEPH HSIA 01/27/99	scale	A3	95547	3 of
				appd	JENN TSAO 01/27/99				
sheet	revision								
index	sheet								

PDM: Rev:N STATUS:Released Printed: Oct 12, 2010

All rights strictly reserved. Reproduction or issue to third parties in any form or by any means, electronic or mechanical, including photocopying, recording, or by any information storage and retrieval system, without written authority from the proprietor. Copyright © BERG ELECTRONICS S.p.A.

PRODUCT NO.	DIM.M
95547-105**LF	10.0
95547-125**LF	9.0
95547-145**LF	6.55
95547-155**LF	6.55

PRODUCT NO.	DIM.M
95547-120**LF	2.15
95547-140**LF	-0.3
95547-150**LF	-0.3
95547-150**HLF	-0.3
95547-322**LF	2.15



mat'l code	tolerance unless otherwise specified	CUSTOMER COPY	 www.fciconnect.com	
rev. N	linear ±0.30	projection	title EJECTOR HEADER ASS'Y	
ecn no.	angles ± 2°	unit	5.0V, SMT TYPE 1/2/3	
dr	enr JOSEPH HSIA 01/27/99	mm/inch	product family	code
chr	chr JOSEPH HSIA 01/27/99	scale	size	dwg no.
appd	appd JENN TSAO 01/27/99	A3	95547	sheet 4 of
sheet index	revision sheet			

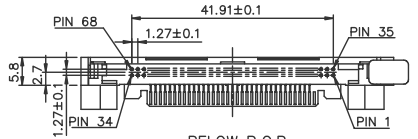
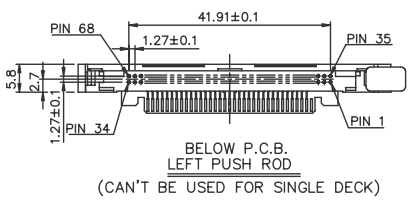
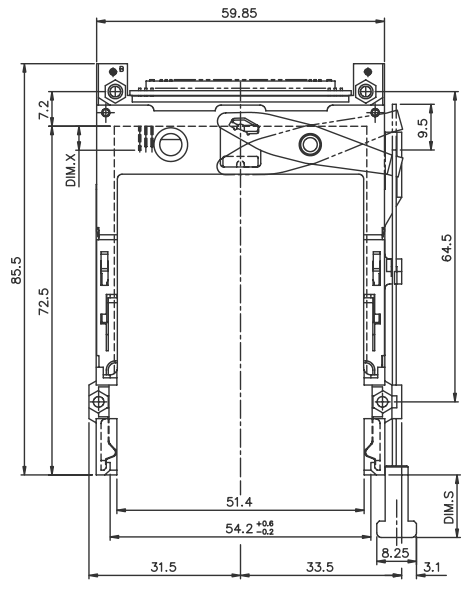
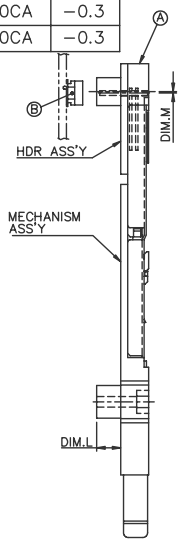
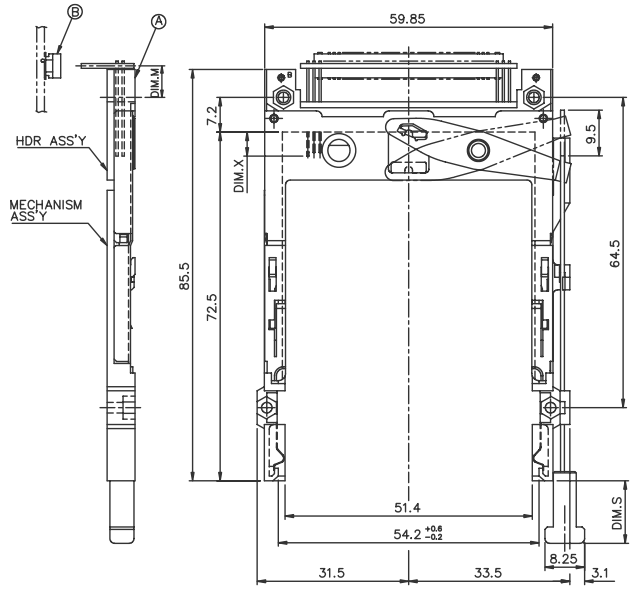
PDM: Rev:N STATUS:Released Printed: Oct 12, 2010

Tous droits strictement réservés. Reproduction ou communication à des tiers sans autorisation écrite du propriétaire.
 All rights strictly reserved. Reproduction or issue to third parties in any form without written authority from the proprietor.
 Copyright BERG ELECTRONICS S.A.
 Droits de reproduction BERG ELECTRONICS S.A.

All rights strictly reserved. Reproduction or issue to third parties in any form without written authority from the proprietor.
 Copyright BERG ELECTRONICS S.A.

PRODUCT NO.	DIM.M
95547-605CA	10.0
95547-625CA	9.0
95547-645CA	6.55
95547-655CA	6.55

PRODUCT NO.	DIM.M
95547-620CA	2.15
95547-640CA	-0.3
95547-650CA	-0.3



mat'l code				tolerance unless otherwise specified		CUSTOMER COPY		 www.fciconnect.com	
rev.	ecn	no.	dr	date	linear	± 0.3	projection	title	
L					angles	± 2°		EJECTOR HEADER ASS'Y	
M					dr	WENDY CHEN 01/27/95		5.0V, SMT TYPE 1/2/3	
					enrg	JOSEPH HSIA 01/27/95	unit	product family	PCBGA
					chr	JOSEPH HSIA 01/27/95	mm/inch	size	dwg no.
					appd	JENN TSAO 01/27/95	scale	A3	95547
sheet	revision								code
index	sheet								sheet 5 of

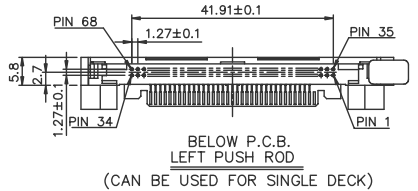
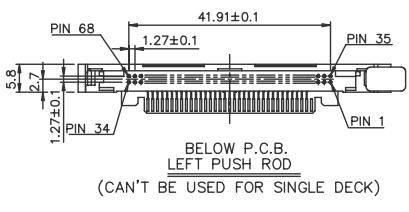
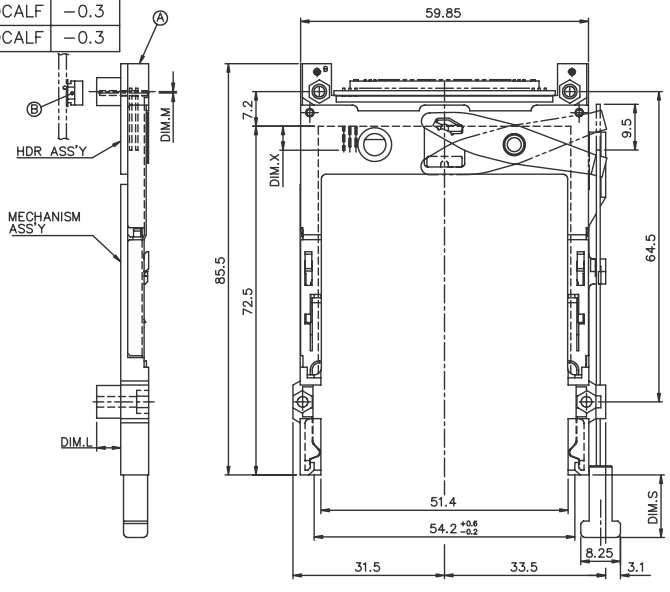
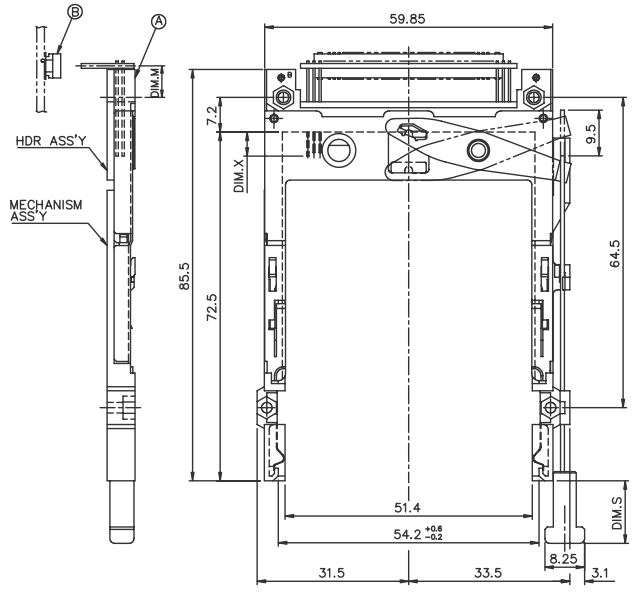
PDM: Rev:N STATUS:Released Printed: Oct 12, 2010

Tous droits strictement réservés. Reproduction ou communication à des tiers sans autorisation écrite du propriétaire.
 All rights strictly reserved. Reproduction or communication to third parties in any form without written authority from the proprietor.
 Copyright BERG ELECTRONICS S.A.
 Droits de reproduction BERG ELECTRONICS S.A.

All rights strictly reserved. Reproduction or communication to third parties in any form without written authority from the proprietor.
 Copyright BERG ELECTRONICS S.A.

PRODUCT NO.	DIM.M
95547-605CALF	10.0
95547-625CALF	9.0
95547-645CALF	6.55
95547-655CALF	6.55

PRODUCT NO.	DIM.M
95547-620CALF	2.15
95547-640CALF	-0.3
95547-650CALF	-0.3



mat'l code				tolerance unless otherwise specified		CUSTOMER COPY		 www.fciconnect.com	
rev.	ecn no.	dr	date	linear	±0.3	projection	title		
L				angles	± 2°		EJECTOR HEADER ASS'Y		
M				dr	WENDY CHEN 01/27/95	unit	product family		code
				enrg	JOSEPH HSIA 01/27/95	mm/inch	5.0V, SMT TYPE 1/2/3		
				chr	JOSEPH HSIA 01/27/95	scale	size	dwg no.	sheet
				appd	JENN TSAO 01/27/95	A3	95547	6 of	
sheet	revision								
index	sheet								

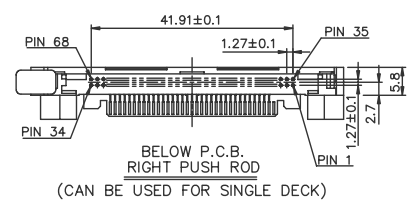
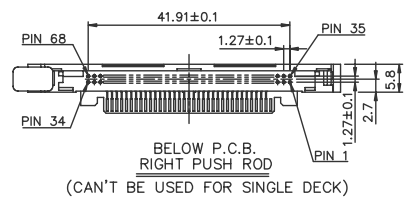
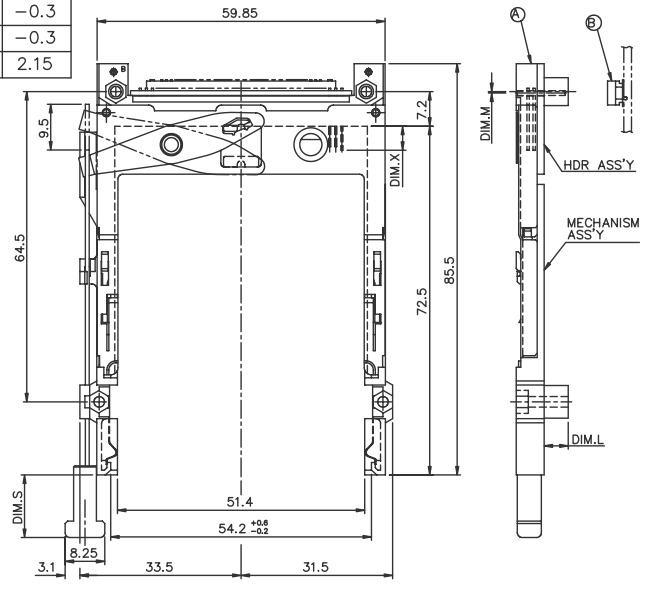
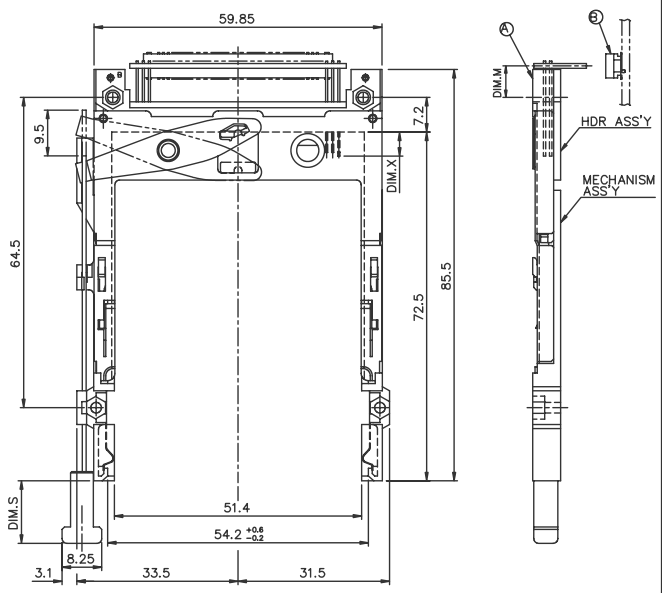
PDM: Rev:N STATUS:Released Printed: Oct 12, 2010

Tous droits strictement réservés. Reproduction ou communication à des tiers sans autorisation écrite du propriétaire. FCI ELECTRONICS INC. Droits de reproduction BERG ELECTRONICS bv

All rights strictly reserved. Reproduction or issue to third parties in any form or by any means without written authority from the proprietor. FCI ELECTRONICS INC. Copyright BERG ELECTRONICS bv

PRODUCT NO.	DIM.M
95547-505CA	10.0
95547-525CA	9.0
95547-545CA	6.55
95547-555CA	6.55

PRODUCT NO.	DIM.M
95547-520CA	2.15
95547-540CA	-0.3
95547-550CA	-0.3
95547-750CA	2.15



mat'l code	tolerance unless otherwise specified	CUSTOMER COPY	 www.fciconnect.com
rev. L M	linear ±0.30	projection	
ecn no.	angles ± 2°	title	EJECTOR HEADER ASS'Y
dr	dr WENDY CHEN 01/27/95	product family	5.0V, SMT TYPE 1/2/3
enrg	enrg JOSEPH HSIA 01/27/95	product family	5.0V, SMT TYPE 1/2/3
chr	chr JOSEPH HSIA 01/27/95	size	A3
appd	appd JENN TSAO 01/27/95	scale	95547
sheet index	revision sheet	unit	code
		mm/inch	7 of

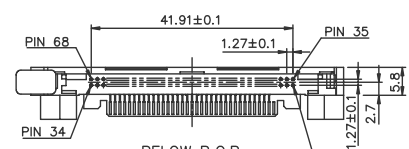
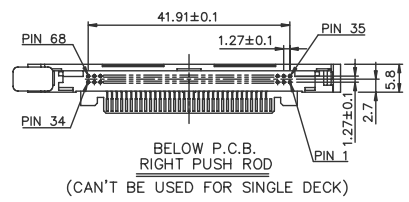
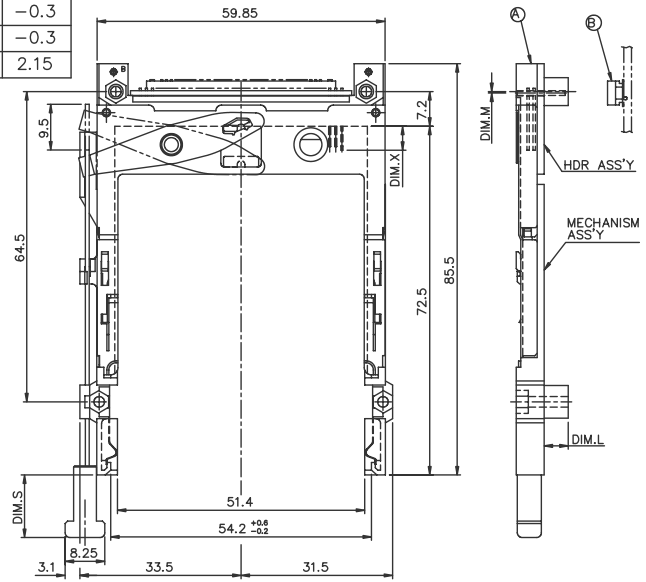
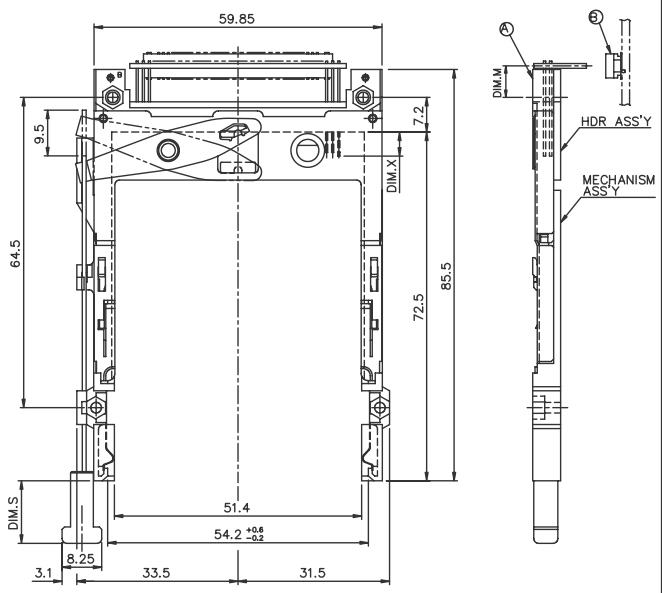
PDM: Rev:N STATUS:Released Printed: Oct 12, 2010

Tous droits strictement réservés. Reproduction ou communication à des tiers sans autorisation écrite du propriétaire. FCI ELECTRONICS INC. Droits de reproduction BERG ELECTRONICS bv

All rights strictly reserved. Reproduction or issue to third parties in any form or by any means without written authority from the proprietor. FCI ELECTRONICS INC. Copyright BERG ELECTRONICS bv

PRODUCT NO.	DIM.M
95547-505CALF	10.0
95547-525CALF	9.0
95547-545CALF	6.55
95547-555CALF	6.55

PRODUCT NO.	DIM.M
95547-520CALF	2.15
95547-540CALF	-0.3
95547-550CALF	-0.3
95547-750CALF	2.15



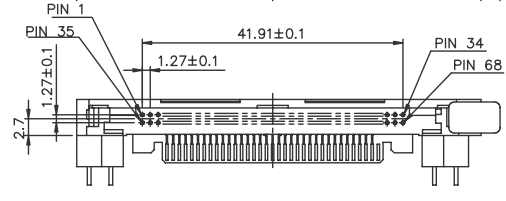
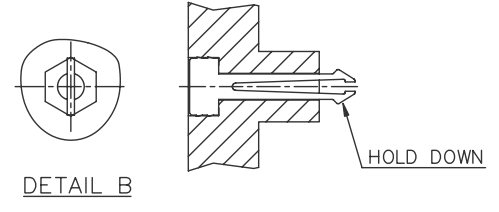
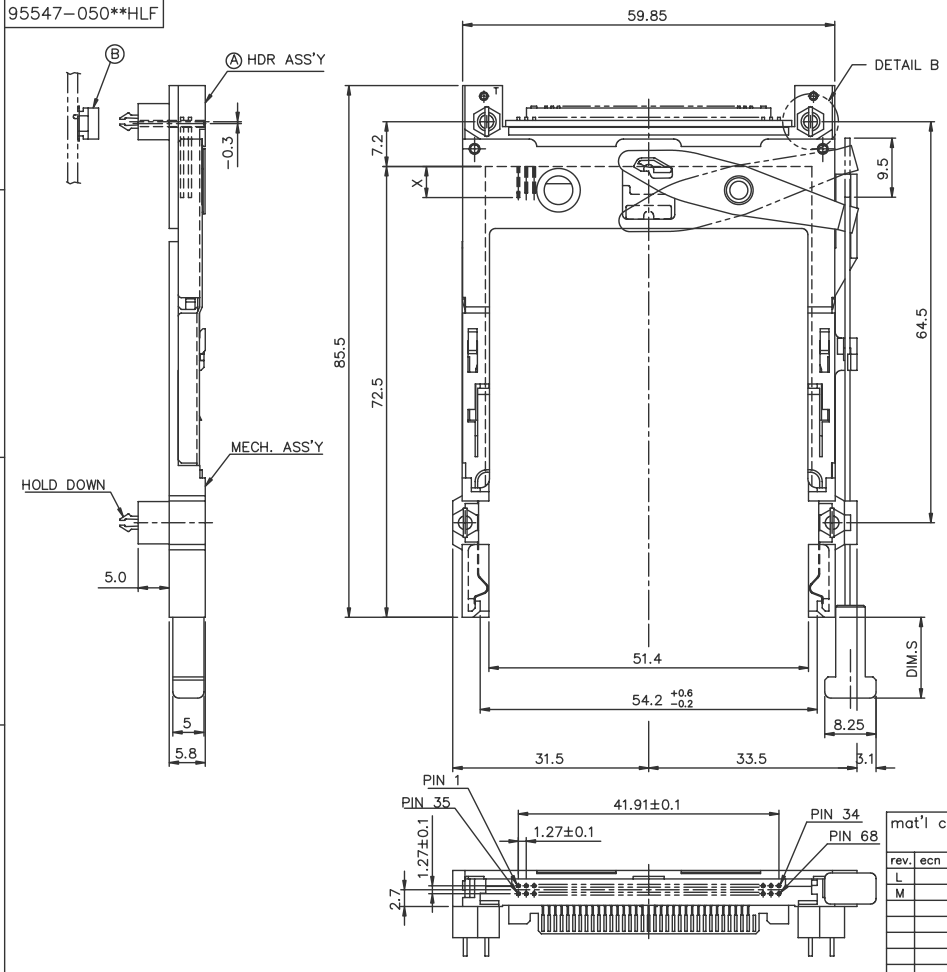
BELOW P.C.B. RIGHT PUSH ROD (CAN BE USED FOR SINGLE DECK)

mat'l code				tolerance unless otherwise specified		CUSTOMER COPY		FCI		www.fciconnect.com	
rev.	ecn	no.	dr	date	linear	±0.30	projection	title EJECTOR HEADER ASS'Y			
L					angles	± 2°		5.0V, SMT TYPE 1/2/3			
M					dr	WENDY CHEN 01/27/95	unit	product family		PCBGA	code
					enrg	JOSEPH HSIA 01/27/95	mm/inch	size		dwg no.	sheet
					chr	JOSEPH HSIA 01/27/95	scale	A3		95547	8 of
					appd	JENN TSAO 01/27/95					
sheet	revision										
index	sheet										

Tous droits strictement réservés. Reproduction ou communication à des tiers sans autorisation écrite du propriétaire.
 All rights strictly reserved. Reproduction or communication to third parties without written authority from the proprietor.
 Copyright BERG ELECTRONICS S.p.A.

All rights strictly reserved. Reproduction or issue to third parties in any form or by any means without written authority from the proprietor.
 Copyright BERG ELECTRONICS S.p.A.

PRODUCT NO.
 95547-050**H
 95547-050**HLF



mat'l code		tolerance unless otherwise specified		CUSTOMER COPY		 www.fciconnect.com	
rev.	ecn no.	dr	date	linear	±0.3	projection	title
L				angles	± 2°		EJECTOR HEADER ASS'Y
M				dr	WENDY CHEN 12/19/00	unit	5.0V, SMT TYPE 1/2/3
				enrg	JOSEPH HSIA 12/19/00	mm/inch	product family
				chr	JOSEPH HSIA 12/19/00	scale	size
				appd	JOSEPH HSIA 12/19/00	1.4:1	dwg no.
sheet	revision						95547
index	sheet						code
							sheet
							9 of

PDM: Rev:N STATUS:Released Printed: Oct 12, 2010

All rights strictly reserved. Reproduction or issue to third parties in any form or by any means, without written authority from the proprietor.
 Tous droits strictement réservés. Reproduction ou communication à des tiers, en tout ou en partie, sans autorisation écrite du propriétaire.
 Copyright BERG ELECTRONICS S.A.
 Droits de reproduction BERG ELECTRONICS S.A.

DESCRIPTION : ABOVE PCB, DECK AND PUSH ROD LOCATION ARE AS VIEW BY USER.

LOWER DECK						
① PRODUCT NO.	STAND-OFF HIGH DIM. L	PUSH ROD LOCATION ②	P.C.B. SIDE ③	P.C.B LAYOUT RECOMMENDED	④ MATING RECEPTACLE	MOUNT STYLE TO PCB AND PUSH ROD SIDE
95547-020**	2.2	RIGHT	ABOVE	SEE DRAWING P/N: TA-1052	↑ RECEPTACLE PART NUMBER: 91931-31169 ↓	
95547-040**	4.3					
95547-050**	5.0					
95547-050**H	5.0					
95547-250**	5.0					
95547-120**	2.2	LEFT	ABOVE	SEE DRAWING P/N: TA-1052		
95547-140**	4.3					
95547-150**	5.0					
95547-322**	2.2					
95547-520**	2.2					
95547-540**	4.3	RIGHT	BELOW	SEE DRAWING P/N: TA-1052		
95547-550**	5.0					
95547-750**	5.0					
95547-620**	2.2					
95547-640**	4.3					
95547-650**	5.0	LEFT	BELOW	SEE DRAWING P/N: TA-1052		

UPPER DECK					
① PRODUCT NO.	JOINT WITH LOWER DECK STAND-OFF HIGH(DIM. L)	PUSH ROD LOCATION ②	P.C.B. SIDE ③	④ MATING RECEPTACLE	MOUNT STYLE TO PCB AND PUSH ROD SIDE
95547-005**	0.0	RIGHT	ABOVE	↑ RECEPTACLE PART NUMBER: 91931-31169 ↓	
95547-025**	2.2				
95547-045**	4.3				
95547-055**	5.0				
95547-105**	0.0				
95547-125**	2.2	LEFT	ABOVE		
95547-145**	4.3				
95547-155**	5.0				
95547-505**	0.0				
95547-525**	2.2				
95547-545**	4.3	RIGHT	BELOW		
95547-555**	5.0				
95547-605**	0.0				
95547-625**	2.2				
95547-645**	4.3				
95547-655**	5.0	LEFT	BELOW		

NOTES:
 1. IT CAN'T BE USED FOR SINGLE DECK.
 2. IT MUST BE ASSEMBLED BY USER FOR DOUBLE DECK APPLICATION.(PLEASE REFER TO P/N 95562)
 3. ** : SEE TABLE J

- NOTES:
- 8mm MIN. CARD EJECT.
 - EJECT TRAVEL: 9.5mm
 - PUSH ROD LOCATION AND P.C.B. SIDE ARE AS APPEARS INSTALLED.
 - MATERIAL
 - HEADER ASS'Y:
 PLASTIC : HOUSING ...LCP UL94V-0 BLACK
 PIN : COPPER ALLOY
 PCB : FR4
 - EJECT MECHANISM ASS'Y:
 PLASTIC : GUIDE: POLYPHTHARAMID UL94V-0 BLACK
 : PUSH ROD CAP: POLYPHTHARAMID UL94V-0
 ,BLACK
 PLATE AND PUSH ROD : STAINLESS
 EMI CONTACT: PHOSPHOR BRONZE
 - FINISH (PIN)
 UNDER PLATING : 0.5 um MIN. Ni
 CONTACT AREA : 0.1 um MIN. GOLD OVER
 0.5 um MIN. Pd-Ni(OTHER VERSIONS),
 0.1 um MIN. GOLD OVER 0.8um MIN. Pd-Ni
 (FOR 95547-250** AND 95547-250**LF ONLY)
 SOLDER TAIL : TIN LEAD PLATING: 2.5 um MIN. Sn-Pb
 LEAD FREE PLATING: 2.5 um MIN. PURE TIN

4.25±0.1	3.5±0.1	5.0±0.1
OTHERS	36,67	1,17,34,35,51,68

7. TABLE J
- | |
|----------|
| ** DIM.S |
| CA 13.0 |
| DA 15.6 |
- ADD "H" TO PART NUMBER FOR OPTIONAL HOLD DOWN (4 PER ASSEMBLY).
 - IF LEAD FREE P/N, THE HOUSING WILL WITHSTAND EXPOSURE TO 260°C PEAK TEMPERATURE FOR 10 SECONDS IN A WAVE SOLDER APPLICATION WITH A 1.00MM MINIMUM THICK CIRCUIT BOARD.
 - LEAD FREE PRODUCT MEETS EUROPEAN UNION DIRECTIVES AND OTHER COUNTRY REGULATIONS AS DISCRIBED IN GS-22-008
 - IF LEAD FREE P/N, PACKAGING MEETS GS-14-920 SPECIFICATION

TIN LEAD ORDERING INFORMATION		
NAME	PART NO.	Q'TY
① EJECT HEADER ASS'Y	95547-*****	1
② MATING RECEPTACLE	91931-31169	1

mat'l code	tolerance unless otherwise specified	CUSTOMER COPY		www.fciconnect.com
rev. L	linear	projection	title EJECTOR HEADER ASS'Y 5.0V, SMT TYPE 1/2/3	
ecn no.	angles	unit	product family	PCWGA
dr	dr WENDY CHEN 01/27/95	mm/inch	size	dwg no.
enrg	enrg JOSEPH HSIA 01/27/95	scale	A3	95547
chr	chr JOSEPH HSIA 01/27/95	1:1	sheet	100r
appd	appd JENN TSAO 01/27/95			
sheet index	revision sheet			

Tous droits strictement réservés. Reproduction ou communication à des tiers sans autorisation écrite du propriétaire.
 All rights strictly reserved. Reproduction or communication to third parties in any form without written authority from the proprietor.
 Copyright BERG ELECTRONICS S.p.A.
 Droits de reproduction BERG ELECTRONICS S.p.A.

All rights strictly reserved. Reproduction or communication to third parties in any form without written authority from the proprietor.
 Copyright BERG ELECTRONICS S.p.A.

DESCRIPTION : ABOVE PCB, DECK AND PUSH ROD LOCATION ARE AS VIEW BY USER.

LOWER DECK						
① PRODUCT NO.	STAND-OFF HIGH DIM. L	PUSH ROD LOCATION ②	P.C.B. SIDE ③	P.C.B LAYOUT RECOMMENDED	④ MATING RECEPTACLE	MOUNT STYLE TO PCB AND PUSH ROD SIDE
95547-020**LF	2.2	RIGHT	ABOVE	SEE DRAWING P/N: TA-1052	↑	
95547-040**LF	4.3					
95547-050**LF	5.0					
95547-050**HLF	5.0					
95547-250**LF	5.0					
95547-120**LF	2.2	LEFT	ABOVE	SEE DRAWING P/N: TA-1052	↑	
95547-140**LF	4.3					
95547-150**LF	5.0					
⚠ 95547-150**HLF	5.0					
95547-322**LF	2.2					
95547-520**LF	2.2	RIGHT	BELOW	SEE DRAWING P/N: TA-1052	↓	
95547-540**LF	4.3					
95547-550**LF	5.0					
95547-750**LF	5.0					
95547-620**LF	2.2					
95547-640**LF	4.3	LEFT	BELOW	SEE DRAWING P/N: TA-1052	↓	
95547-650**LF	5.0					

UPPER DECK						
① PRODUCT NO.	JOINT WITH LOWER DECK STAND-OFF HIGH(DIM. L)	PUSH ROD LOCATION ②	P.C.B. SIDE ③	P.C.B LAYOUT RECOMMENDED	④ MATING RECEPTACLE	MOUNT STYLE TO PCB AND PUSH ROD SIDE
95547-005**LF	0.0	RIGHT	ABOVE		↑	
95547-025**LF	2.2					
95547-045**LF	4.3					
95547-055**LF	5.0					
95547-105**LF	0.0					
95547-125**LF	2.2	LEFT	ABOVE		↑	
95547-145**LF	4.3					
95547-155**LF	5.0					
95547-505**LF	0.0					
95547-525**LF	2.2					
95547-545**LF	4.3	RIGHT	BELOW		↓	
95547-555**LF	5.0					
95547-605**LF	0.0					
95547-625**LF	2.2					
95547-645**LF	4.3					
95547-655**LF	5.0	LEFT	BELOW		↓	
95547-655**LF	5.0					

NOTES:
 1. IT CAN'T BE USED FOR SINGLE DECK.
 2. IT MUST BE ASSEMBLED BY USER FOR DOUBLE DECK APPLICATION.(PLEASE REFER TO P/N 95562)
 3. ** : SEE TABLE J

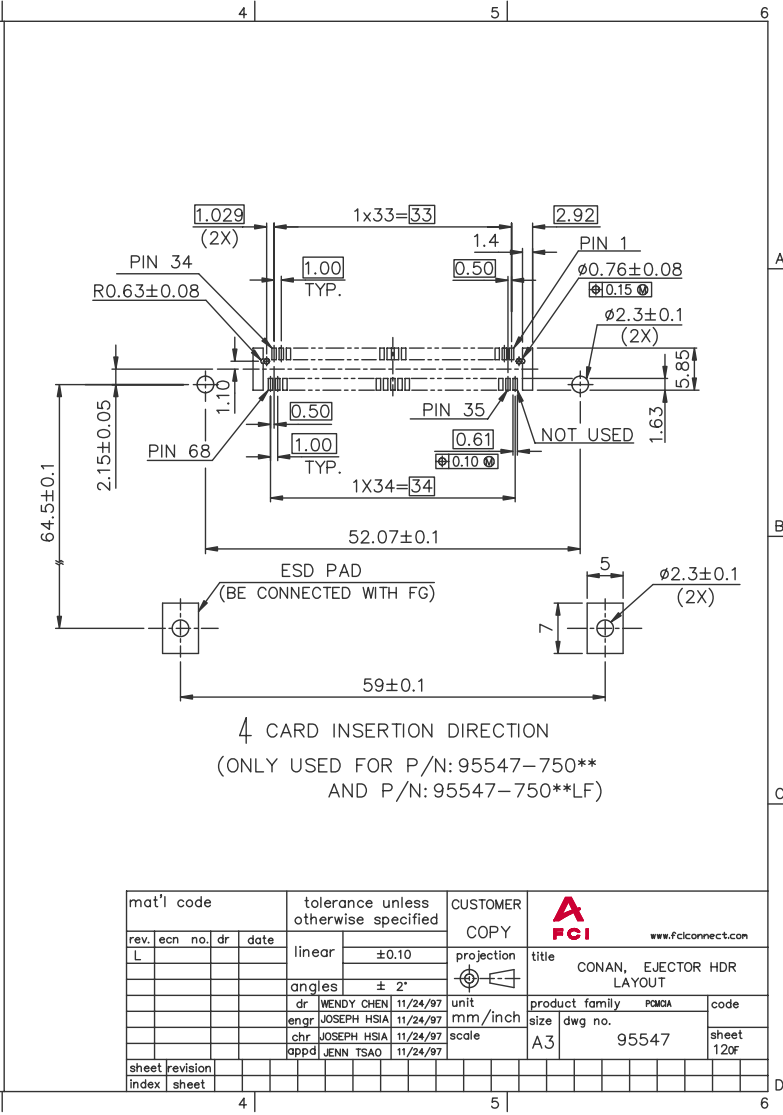
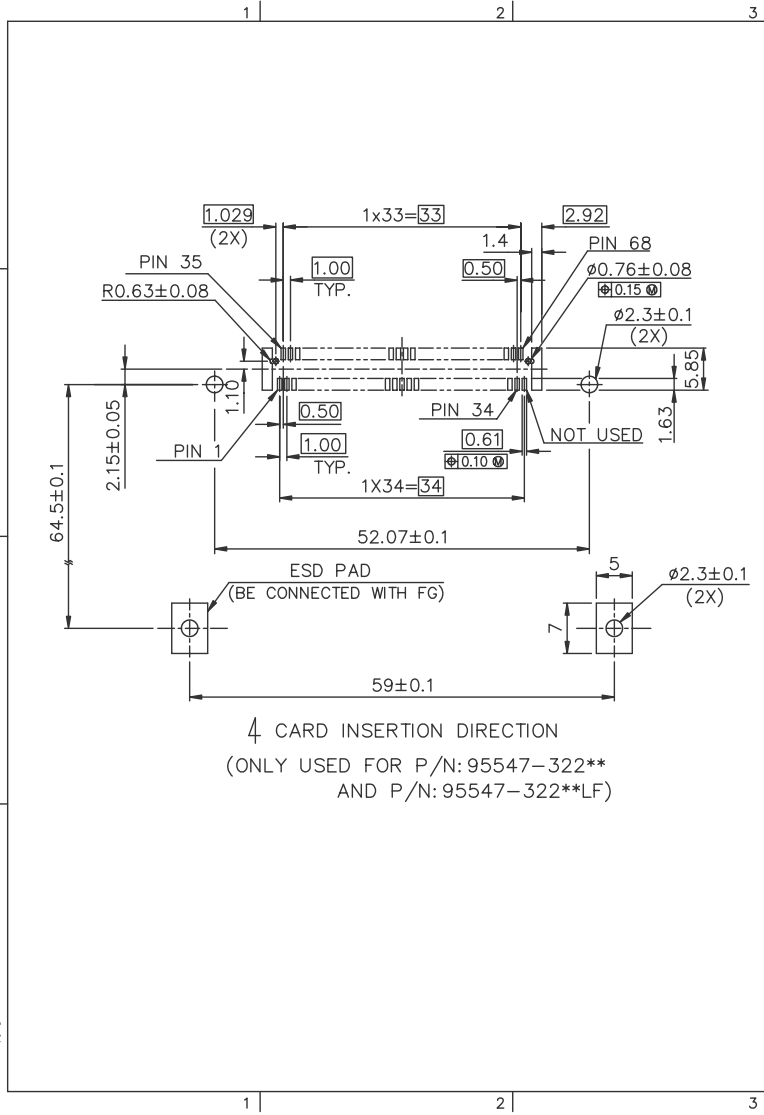
LEAD FREE ORDERING INFORMATION		
NAME	PART NO.	Q'TY
① EJECT HEADER ASS'Y	95547-****LF	1
② MATING RECEPTACLE	91931-31169LF	1

mat'l code	tolerance unless otherwise specified	CUSTOMER COPY	FCI www.fciconnect.com
rev. N	linear	projection	title EJECTOR HEADER ASS'Y 5.0V, SMT TYPE 1/2/3
ecn	angles	unit	product family PAKA code
no. dr	dr WENDY CHEN 01/27/95	mm/inch	size dwg no. 95547 sheet 11 of
date	enrg JOSEPH HSIA 01/27/95	scale	
	chr JOSEPH HSIA 01/27/95	1:1	
	appd JENN TSAO 01/27/95		
sheet index	revision sheet		

Tous droits strictement réservés. Reproduction ou communication, o des tiers int
 propreté de BERG ELECTRONICS.
 droits de reproduction BERG ELECTRONICS by



All rights strictly reserved. Reproduction or issue to third parties in any for
 as not permitted without written authority from the proprietor.
 Copyright BERG ELECTRONICS by



mat'l code				tolerance unless otherwise specified		CUSTOMER COPY		 www.fciconnect.com	
rev.	ecn no.	dr	date	linear	±0.10	projection	title CONAN, EJECTOR HDR LAYOUT		
L				angles	± 2°				
				dr	WENDY CHEN 11/24/97	unit	product family PAMGA		code
				enrg	JOSEPH HSIA 11/24/97	mm/inch	size dwg no.		sheet
				chr	JOSEPH HSIA 11/24/97	scale	A3 95547		120f
				appd	JENN TSAO 11/24/97				
sheet	revision								
index	sheet								

PDM: Rev:N STATUS:Released Printed: Oct 12, 2010