

Features

- IEEE802 3af/ANSI X3.263
- RoHS compliant*

Applications

- VoIP
- PoE

SM51524L 10/100 Base Tx VoIP Modules (Power over Ethernet - PoE)

Electrical Specifications

Inductance - Open Circuit.. 350 μ H min.
 (100 KHz, 0.1 V with 8 mA DC bias)
 Turns Ratio TX 1CT : 1; RX 1CT : 1CT
 Insertion Loss
 1-100 MHz, -1.2 dB max.
 Return Loss (@ 100 ohms)
 1-30 MHz -16 dB min.
 40 MHz -14 dB min.
 50 MHz -13 dB min.
 60-80 MHz -12 dB min.
 Cross Talk
 60 MHz -40 dB min.
 100 MHz -35 dB min.
 DCMRR
 30 MHz -43 dB min.
 60 MHz -37 dB min.
 100 MHz -33 dB min.
 Isolation 1500 VAC
 Operating Temperature
 -40 °C to +85 °C

Packaging Specifications

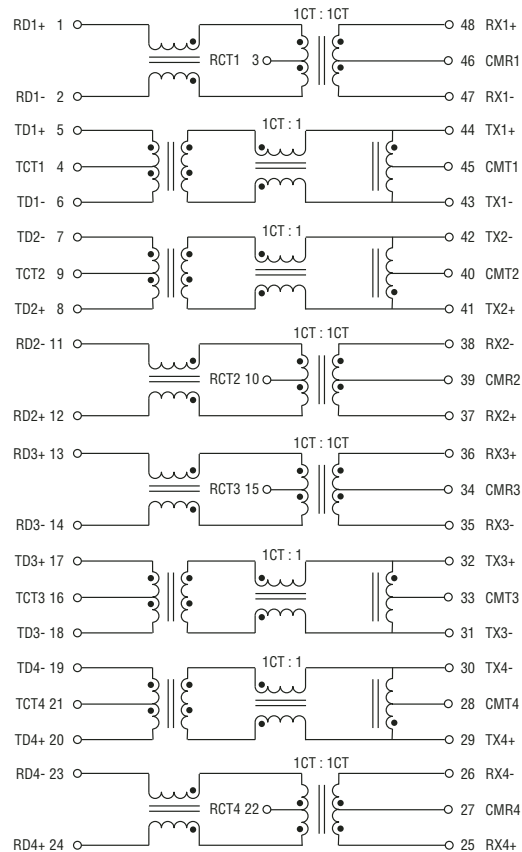
Tube 18 pcs./tube

How To Order

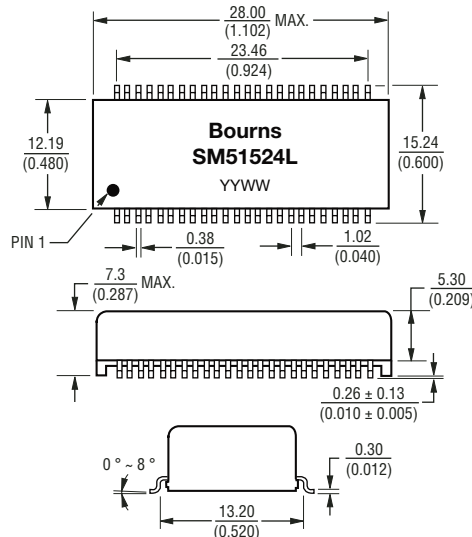
SM51524 L

Model _____
 Termination _____
 L = Tin only (lead free)

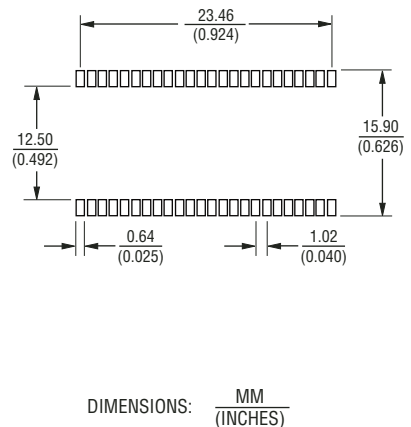
Electrical Schematic



Product Dimensions



Recommended Layout



REV. 09/08

*RoHS Directive 2002/95/EC Jan 27 2003 including Annex.
 Specifications are subject to change without notice.
 Customers should verify actual device performance in their specific applications