

# SMT Power Inductors

## Special Features

- Very high current capacity
- High reliability
- Low DCR
- Ferrite bobbin core
- Compact size
- Test frequency 100 KHz
- Operating temperature -40 to +85 °C
- Tape & reel packaged 500/reel

## Typical Applications

- High current, low voltage converters
- High-speed computers
- Video game machines
- Output chokes
- EMI filters

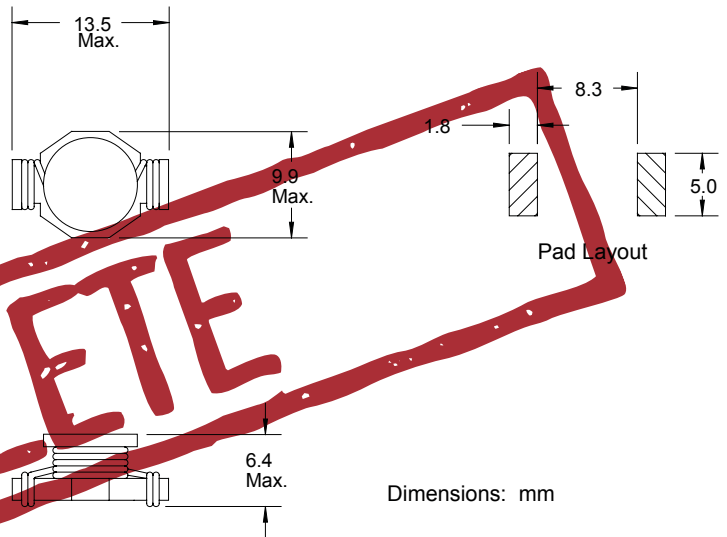
## Notes

- \* Saturation current to cause 10 % inductance drop
- \*\* Rms current to cause 40 °C temperature rise

† RoHS Directive 2002/95/EC Jan 27 2003 including Annex.

PM3316H Series				
Part Number	L (μH) ±20 %	DCR	I <sub>sat</sub> * (A)	I <sub>rms</sub> ** (A)
		(Ω) Max.		
PM3316H-R33M-RC	0.33	0.002	20	16
PM3316H-R68M-RC	0.68	0.005	13	12
PM3316H-1R0M-RC	1.0 0.	006	11	10
PM3316H-1R5M-RC	1.5 0.	008	9	9
PM3316H-2R2M-RC	2.2 0.	011	7.8	7.4
PM3316H-2R7M-RC	2.7	0.012	7	6.6
PM3316H-3R3M-RC	3.3	0.014	6.4	5.9
PM3316H-4R7M-RC	4.7	0.018	5.4	4.8

"-RC" suffix indicates RoHS compliance.



Dimensions: mm

**BOURNS®**

Tel. (877) 426-8767 • Fax (951) 781-5006

[www.bourns.com](http://www.bourns.com)