

Power Choke Coil

Series: **PCC-M104L (MC)**
Low DCR Type

Small mounting size for multi-phase DC-DC converter circuits



■ Features

- Small type (11.7×10.0×H4.0 mm)
- High power (21 A to 30 A)
- Low loss (R_{DC} : 0.76 to 1.58 mΩ)
- Tighter DCR tolerance (±5 %)
- Suitable for high frequency circuit (up to 1 MHz)
- Low buzz noise due to its gap-less structure

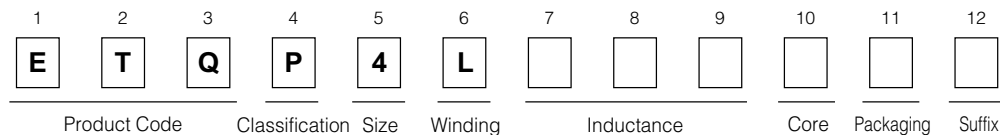
■ Recommended Applications

- Notebook PC power supply modules
- Servers, Routers, DC-DC converters for driving CPUs

■ Standard Packing Quantity

- 1000 pcs./Reel

■ Explanation of Part Numbers



■ Standard Parts

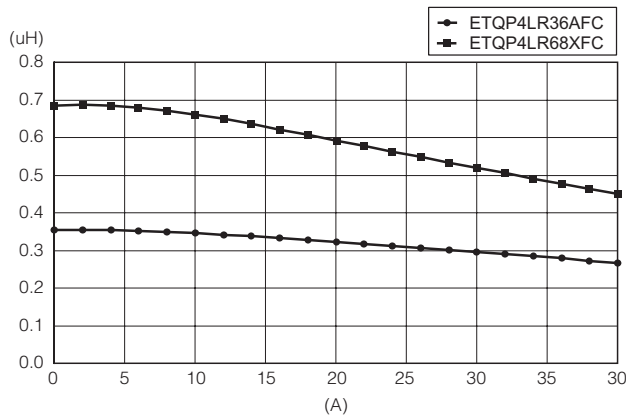
Part No.	Inductance (at 20 °C)*1			Rated current (A)*2	DC resistance (at 20 °C) (mΩ)
	L0 at 0A	L1			
	(μH)	(μH)	Measurement current (A)		
ETQP4LR36AFC	0.36±20 %	(0.29)	30	30	0.76±5 %
ETQP4LR68XFC	0.68±20 %	(0.59)	21	21	1.58±5 %

(*1) Inductance is measured at 100 kHz.

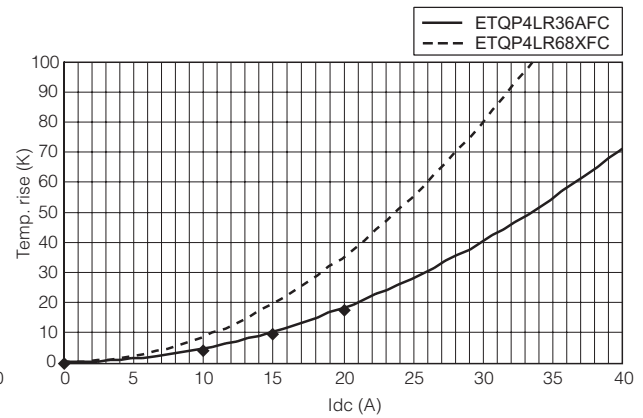
(*2) Rated current defines actual value of DC current, when temperature rise of coil becomes 40 K.

■ Performance Characteristics (Reference)

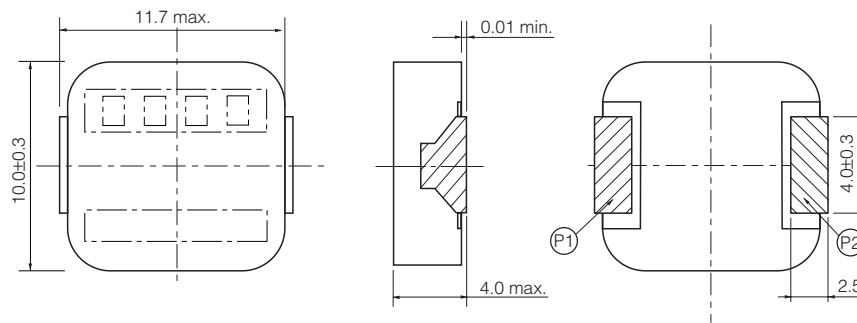
Inductance vs DC Current



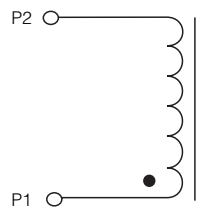
Case Temperature vs DC Current



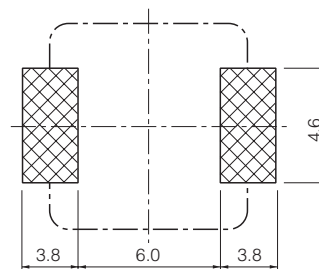
■ Dimensions in mm (not to scale)



■ Connection



■ Recommended Land Pattern in mm (not to scale)



■ Packaging Methods Please see Pages 202 to 203

■ Soldering Conditions Please see Page 204

■ Safety Precautions Please see Page 205

Design and specifications are each subject to change without notice. Ask factory for the current technical specifications before purchase and/or use. Should a safety concern arise regarding this product, please be sure to contact us immediately.

00 Sep. 2010