

## Introducing IP67 Common Core Connector

 **Tyco Electronics**  
Our commitment. Your advantage.

# IP67 Common Core Connector

## KEY FEATURES

- Compliant to IEC 61076-3-106 - Variant 1
- Positive lock coupling ring provides reliable connections in harsh environments
- Tool-less connector
- For use with Cat 5e cable
- IP67 sealing performance
- Protective covers available for both the plug and receptacle

## DESCRIPTIONS

Tyco Electronics now offers an IP67 field installable RJ45 connector. Utilizing our already existing “common core” design, the product can be applied in the field without the use of a tool. Designed for use in harsh environments, the connector features a quick-connect bayonet coupling mechanism.

## APPLICATIONS

Industrial machinery, diagnostic equipment, communications equipment, industrial printers

## ELECTRICAL

Meets TIA/EIA 568 Category 5e requirements

## MATERIALS

Housing : UL94V-0

Pass Through Modular Jack : UL94V-0

Gasket, Seal : UL94 HBF

UV Resistant Housing Material

## MECHANICAL

Positive lock coupling ring

Polarized for proper mating

Temperature Range : -40°C to +85°C [-40F to 185F]

## STANDARDS & SPECIFICATIONS

**108-2198** : Product Specification

**114-13136** : Application Specification

**408-8933** : Instruction Sheet

Compliant to IEC 61076-3-106 - Variant 1

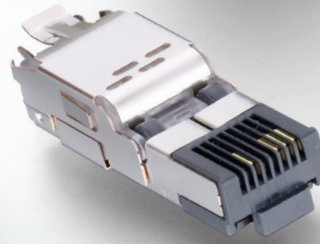
Compliant to IEC 60603-7, A8F - Variant 3

## PRODUCT OFFERING

**PN 1954656-1** : 4 position Plug Kit

**PN 1954656-2** : 8 position Plug Kit

**PN 1811689-1** : Shielded receptacle Kit



# IP67 Common Core Connector

## OPTIONAL ACCESSORIES

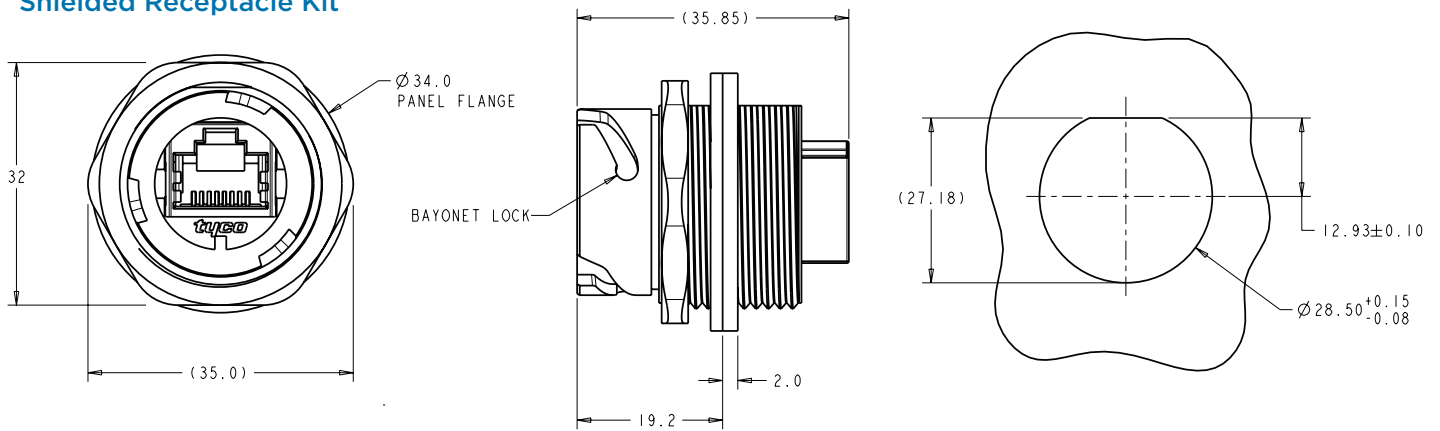
PN 1738611-1 : Receptacle Cover

PN 1981944-1 : Cable Stripper

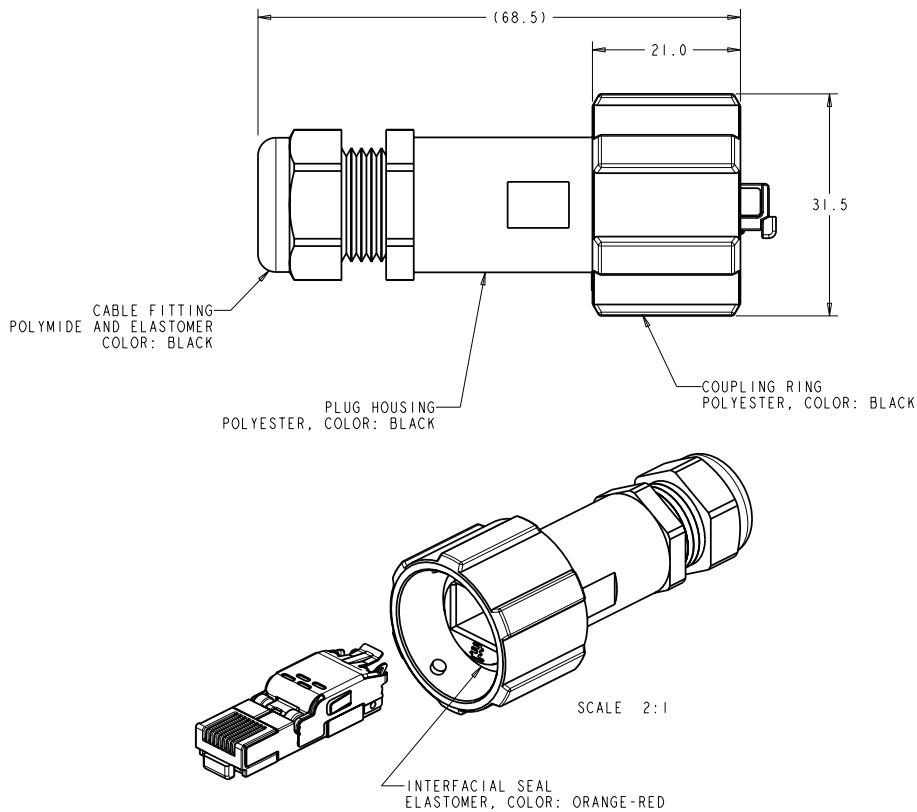
PN 1828740-1 : Plug Cover

PN 1939708-1 : Cable

### Shielded Receptacle Kit



### Plug Assembly



## FOR MORE INFORMATION

[www.tycoelectronics.com/industrial](http://www.tycoelectronics.com/industrial)

### Technical Support

Internet :	<a href="http://www.tycoelectronics.com/help">www.tycoelectronics.com/help</a>
USA:	+1 (800) 522-6752
Canada:	+1 (905) 470-4425
Mexico & Central America:	+52(0) 55-1106-0814
South America:	+55 (0) 11-2103-6000
Germany:	+49 (0) 6251-133-1999
UK:	+44 (0) 8706-080208
France:	+33 (0) 1-3420-8686
Netherlands:	+31 (0) 73-6246-999
China:	+86 (0) 400-820-6015

**Tyco Electronics Corporation**  
Harrisburg, PA

**[tycoelectronics.com](http://tycoelectronics.com)**

Copyright 2008 Tyco Electronics Corporation  
7-1773453-3 2.5M FP 12/2008  
TE logo and Tyco Electronics are trademarks.

