

4

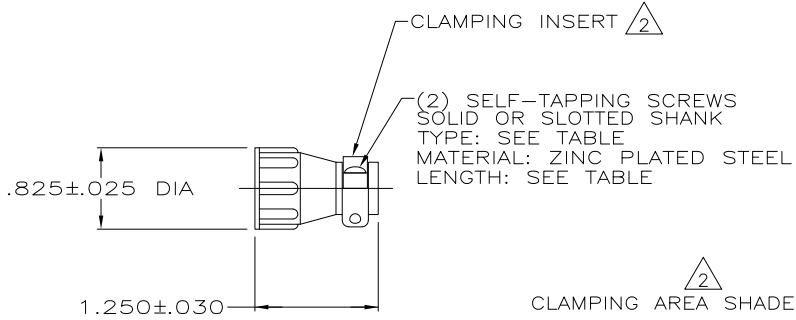
3

2

1

THIS DRAWING IS UNPUBLISHED. RELEASED FOR PUBLICATION  
 © COPYRIGHT - By - ALL RIGHTS RESERVED.

LOC	DIST	REVISIONS			
P	LTR	DESCRIPTION	DATE	DWN	APVD
U4		REVISED PER ECO-11-004587	11MAR11	RK	HMR



- 1 PARTS PACKAGED UNASSEMBLED.
- 2 CABLE CLAMPING AREA ADJUSTABLE FROM .004 TO .055 SQ IN BY REVERSING CLAMPING INSERTS.
- 3 .329 MAXIMUM CABLE OUTSIDE DIAMETER.
- 4 BULK PACKAGED KITS TO BE ORDERED IN MULTIPLES OF 400 ONLY.
- 5 OBSOLETE PART NUMBER.
- 6 STAINLESS STEEL (NON MAGNETIC).
- 7 CABLE CLAMP WITH NON-MAGNETIC STAINLESS STEEL SCREWS.
- 8 ZINC PLATED STEEL, NON-HEXAVALENT CHROMATE.
- 9 OBSOLETE PARTS: OBSOLETE CIS STREAMLINING PER D.RENAUD/D.SINISI

4 BULK	6	.50 <sup>+</sup> .00	#5-20	1-206062-7
INDIVIDUAL	8	.38 <sup>+</sup> .05	#5-20	1-206062-6
4 BULK	8	.38 <sup>+</sup> .05	#5-20	1-206062-5
INDIVIDUAL	8	.50 <sup>+</sup> .05	#5-20	1-206062-4
INDIVIDUAL	8	.62 <sup>+</sup> .05	#5-20	1-206062-3
INDIVIDUAL	6	.50 <sup>+</sup> .05	#5-20	1-206062-2
SUPERSEDED BY 1-206062-3	8	.62 <sup>+</sup> .05	#5-20	1-206062-1
9 OBSOLETE	8	.38 <sup>+</sup> .05	#5-20	1-206062-0
AMP BRAZIL USE ONLY		12mm <sup>+</sup> .8	3mm-20	5 206062-9
AMP BRAZIL USE ONLY		10mm <sup>+</sup> .8	3mm-20	5 206062-8
SUPERSEDED BY 1-206062-7	4 BULK	.50 <sup>+</sup> .05	#5-20	206062-4
SUPERSEDED BY 1-206062-4	INDIVIDUAL	.50 <sup>+</sup> .05	#5-20	206062-3
SUPERSEDED BY 1-206062-5	4 BULK	.38 <sup>+</sup> .05	#5-20	206062-2
SUPERSEDED BY 1-206062-6	INDIVIDUAL	.38 <sup>+</sup> .05	#5-20	206062-1

PACKAGING	SCREW FINISH	SCREW LENGTH	SCREW TYPE	PART NUMBER

THIS DRAWING IS A CONTROLLED DOCUMENT.		DWN A GRAFF 4/28/91	TE Connectivity	
DIMENSIONS: INCHES		CHK W.G.LENKER 7-22-92	CABLE CLAMP KIT, STANDARD, SHELL SIZE 11, CPC	
TOLERANCES UNLESS OTHERWISE SPECIFIED:		APVD	RESTRICTED TO	
0 PLC	± -	PRODUCT SPEC	-	
1 PLC	± -	APPLICATION SPEC	-	
2 PLC	± -	WEIGHT	-	
3 PLC	± -	SIZE	A3	00779
4 PLC	± -	DRAWING NO	C-206062	
ANGLES	± -	SCALE	NTS	
MATERIAL THERMOPLASTIC	FINISH -	CUSTOMER DRAWING	SHEET	1 OF 1
			REV	U4