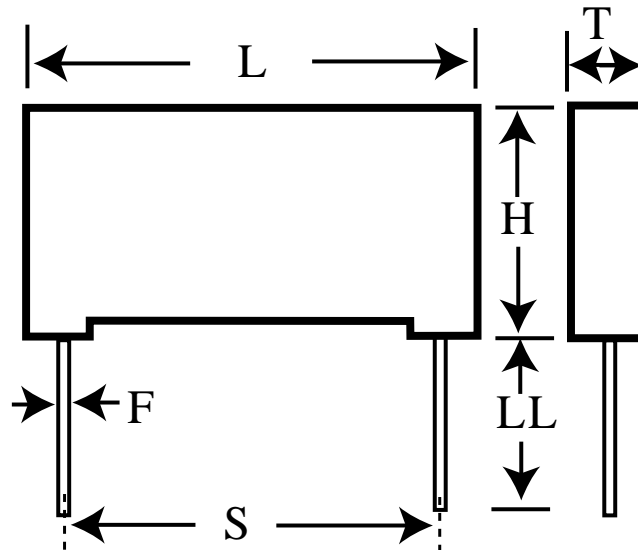


PHE448RB4470JR06

aka F448BJ472J1K6C

Capacitor, film, 4700 pF, +/-5% Tol, -55/+105C, Pulse, 1600V@85C,
Lead Spacing=15 mm



Dimensions (mm)

ID	Dimension	Tolerance
L	18	max
H	12.5	max
T	6.5	max
S	15	+/-0.4
LL	6	nom
F	0.8	nom

Specifications

Manufacturer:	KEMET
Brand:	Rifa
Capacitance:	4700 pF
Temperature Range:	-55/+105C
Rated Temperature:	85C
Voltage @ rated temp:	1600V
Voltage AC:	650VAC
Tolerance:	+/-5%
Body Type:	Radial Box
Construction:	Non-inductive
Application:	Pulse
Dielectric:	Film-Foil Polyester
Dissipation Factor @ 1 kHz:	0.03%
Dissipation Factor @ 10 kHz:	0.05%
Dissipation Factor @ 100kHz:	0.1%
Insulation Resistance:	100 GOhm
Maximum dVdT:	15000v/us
Miscellaneous Electrical:	IEC 60062; Rthha [85C/2.m/s] = 82 C/W series(PHE448)
Package Kind:	Bulk
Package Quantity:	1000