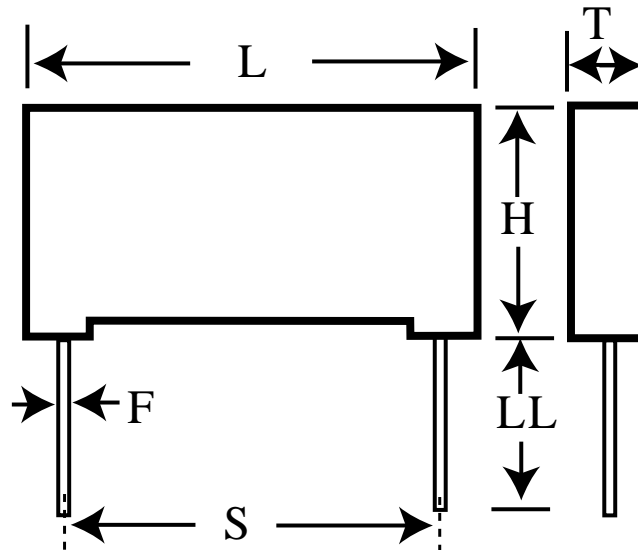


# PHE426HB6220JR06

aka F426BD224J250C PHE426HB6220JB04R06

Capacitor, film, 0.22  $\mu$ F, +/-5% Tol, -55/+105C, Pulse, 250V@85C,  
Lead Spacing=15 mm



## Dimensions (mm)

ID	Dimension	Tolerance
L	18	max
H	10.5	max
T	5.5	max
S	15	+/-0.4
LL	6	nom
F	0.8	nom

## Specifications

Manufacturer:	KEMET
Brand:	Rifa
Capacitance:	0.22 $\mu$ F
Temperature Range:	-55/+105C
Rated Temperature:	85C
Voltage @ rated temp:	250V
Voltage AC:	160VAC
Tolerance:	+/-5%
Body Type:	Radial Box
Construction:	Non-inductive
Application:	Pulse
Sub Application:	HighFrequency
Dielectric:	Metallized Polypropylene
Dissipation Factor @ 1 kHz:	0.05%
Dissipation Factor @ 10 kHz:	0.1%
Insulation Resistance:	100 GOhm
Inductance:	6 nH
Maximum dVdT:	120v/us
Miscellaneous Electrical:	IEC 60384-16, 1.1; Rthha [85C/2.m/s] = 99 C/W series(PHE426)
Package Kind:	Bulk
Package Quantity:	1000