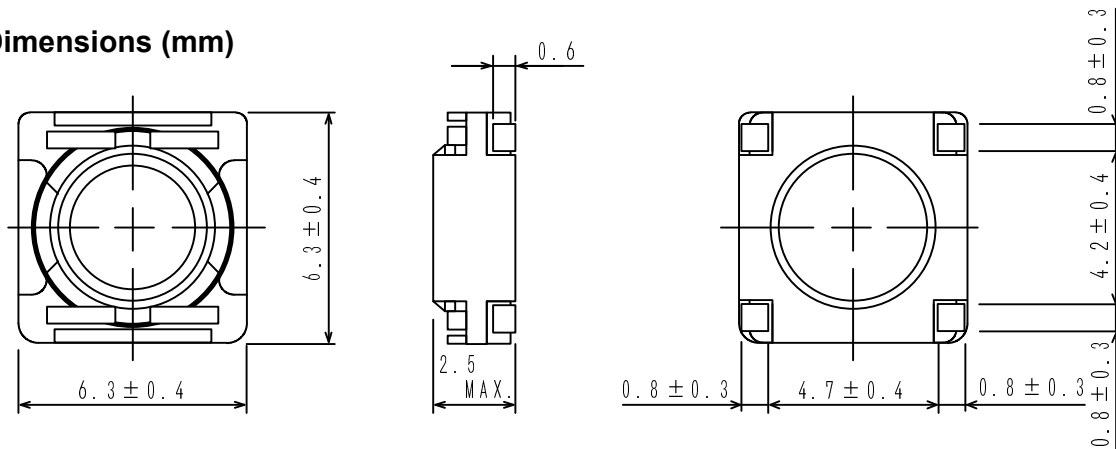
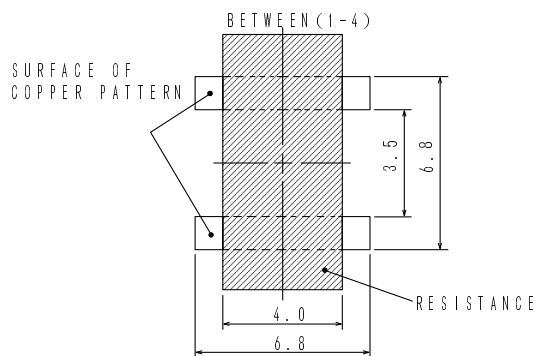
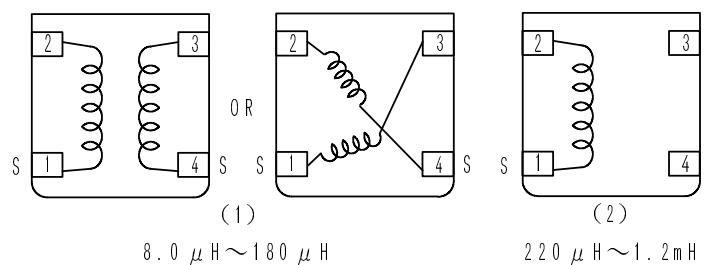


**Type: CDRC62**
**◆ Product Description**

- 6.7×6.7mm Max.(L×W), 2.5mm Max. Height.
- Inductance range: 8μH~1.2mH.
- Rated current range: 62mA~764mA.
- 4 terminal pins' type gives a flexible design as inductors or transformers (SEPIC,ZETA circuit).


**◆ Feature**

- Magnetically shielded construction.
- Storage temperature range: -40°C~+100°C.
- Operating temperature range: -40°C~+100°C (Including coil's self temperature rise).
- Ideally used in portable devices such as DVD,DSC/DVC,MP3,PDA,HDD etc as DC-DC converter inductors.
- RoHS compliance.


**◆ Dimensions (mm)**

**◆ Land Pattern (mm)**

**◆ Schematics(Bottom)**


**Type: CDRC62**
**◆ Specification(Used as inductors)**

Part Name ※	Stamp	Inductance ( $\mu$ H) ※ 1	D.C.R.( $\Omega$ ) Max.(Typ.) (at 20°C)	Rated Current (mA) ※2	S.R.F. (MHz) [Typ.]
CDRC62NP-8R0N□	8R0	8±25%	0.077 (0.062)	764	38.6
CDRC62NP-100N□	100	10±25%	0.104 (0.083)	712	33.9
CDRC62NP-150N□	150	15±25%	0.131 (0.105)	556	27.6
CDRC62NP-220N□	220	22±25%	0.200 (0.160)	467	23.0
CDRC62NP-330N□	330	33±25%	0.264 (0.211)	374	18.9
CDRC62NP-390N□	390	39±25%	0.381 (0.305)	354	16.9
CDRC62NP-470N□	470	47±25%	0.430 (0.344)	320	15.0
CDRC62NP-560N□	560	56±25%	0.480 (0.384)	290	14.0
CDRC62NP-680N□	680	68±25%	0.624 (0.499)	248	12.2
CDRC62NP-820N□	820	82±25%	0.671 (0.537)	237	11.4
CDRC62NP-101M□	101	100±20%	0.769 (0.615)	212	10.2
CDRC62NP-121M□	121	120±20%	1.02 (0.816)	194	9.4
CDRC62NP-151M□	151	150±20%	1.43 (1.14)	174	8.6
CDRC62NP-181M□	181	180±20%	1.60 (1.28)	160	7.5
CDRC62NP-221M□	221	220±20%	1.77 (1.42)	142	7.2
CDRC62NP-271M□	271	270±20%	2.30 (1.84)	130	6.5
CDRC62NP-331M□	331	330±20%	2.71 (2.16)	117	5.8
CDRC62NP-391M□	391	390±20%	3.02 (2.42)	108	5.3
CDRC62NP-471M□	471	470±20%	3.93 (3.14)	98	4.8
CDRC62NP-561M□	561	560±20%	4.46 (3.57)	91	4.4
CDRC62NP-681M□	681	680±20%	6.05 (4.84)	83	4.0
CDRC62NP-821M□	821	820±20%	6.79 (5.43)	75	3.7
CDRC62NP-102M□	102	1000±20%	9.98 (7.98)	66	3.3
CDRC62NP-122M□	122	12 00±20%	11.8 (9.44)	62	3.0

**※ Description of part name**

CDRC62NP-8R0N□


 B Box  
 C Carrier Tape

 ※1: Measuring frequency: 8.0  $\mu$  H ~ 82  $\mu$  H ; at 100kHz  
 100  $\mu$  H ~ 1.2mH ; at 1kHz

 ※2: Rated current: The D.C. current at which the inductance decreases to 75% of it's nominal value or when  $\Delta t=40^{\circ}\text{C}$ , whichever is lower( $T_a=20^{\circ}\text{C}$ ).