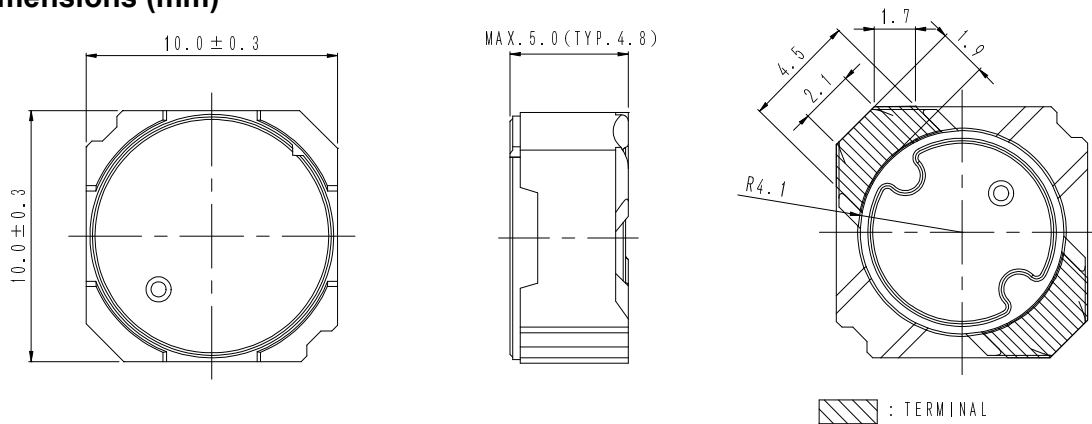
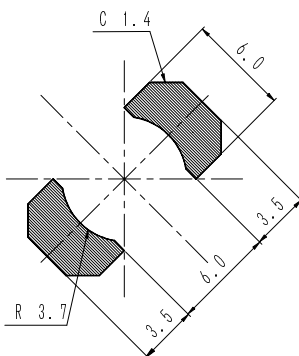


Type: CDR10D48MN
◆ Product Description

- 10.3×10.3mm Max.(L×W), 5.0mm Max. Height.
- Inductance Range: 2.4~120 μ H.
- Rated current range: 1.0~9.6A.
- In addition to the standard versions of inductors shown here, custom inductors are available to meet your exact requirements.


◆ Feature

- Magnetically shielded construction.
- Hybrid power inductors use Mn-Zn D.core & Ni-Zn R.core, used as general power inductors.
- Higher saturation current characteristics than that of Ni-Zn inductors.
- Usually used in LCD driver,DSC/DVC,Notebook PC or the other portable equipment.
- RoHS Compliance and Halogen free.

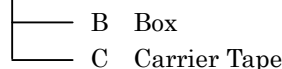
◆ Dimensions (mm)

◆ Land Pattern (mm)


Type: CDR10D48MN
◆ Specification

Part Name ※	Stamp	Inductance (μ H) (100kHz/1V)	D.C.R.(m Ω) Max.(Typ.) (at 20°C)	Saturation Current (A) ※1		Temperature Rise Current (A) ※2
				at 20°C	at 105°C	
CDR10D48MNNP-2R4N□	2R4	2.4 \pm 25%	12.5(10.0)	11.5	9.2	9.6
CDR10D48MNNP-3R6N□	3R6	3.6 \pm 25%	15.0(12.0)	9.4	7.7	8.2
CDR10D48MNNP-5R0N□	5R0	5.0 \pm 25%	16.9(13.5)	8.0	6.5	6.8
CDR10D48MNNP-6R6N□	6R6	6.6 \pm 25%	22.5(18.0)	7.1	5.7	5.7
CDR10D48MNNP-8R5N□	8R5	8.5 \pm 25%	28.8(23.0)	6.3	5.1	4.8
CDR10D48MNNP-100N□	100	10 \pm 25%	40.0(32.0)	5.5	4.4	4.3
CDR10D48MNNP-120N□	120	12 \pm 25%	42.5(34.0)	4.9	4.1	3.6
CDR10D48MNNP-150N□	150	15 \pm 25%	46.0(37.0)	4.5	3.6	3.4
CDR10D48MNNP-180N□	180	18 \pm 25%	50.0(40.0)	4.1	3.4	3.2
CDR10D48MNNP-220N□	220	22 \pm 25%	56.0(45.0)	4.0	3.2	2.8
CDR10D48MNNP-270N□	270	27 \pm 25%	63.0(50.0)	3.6	2.9	2.7
CDR10D48MNNP-330N□	330	33 \pm 25%	90.0(70.0)	3.1	2.5	2.1
CDR10D48MNNP-390N□	390	39 \pm 25%	105.0(85.0)	3.0	2.4	1.9
CDR10D48MNNP-470N□	470	47 \pm 25%	120.0(95.0)	2.6	2.1	1.8
CDR10D48MNNP-560N□	560	56 \pm 25%	150.0(120)	2.4	2.0	1.6
CDR10D48MNNP-680N□	680	68 \pm 25%	175.0(140)	2.1	1.8	1.5
CDR10D48MNNP-820N□	820	82 \pm 25%	220.0(175)	2.0	1.6	1.3
CDR10D48MNNP-101N□	101	100 \pm 25%	275.0(220)	1.8	1.5	1.1
CDR10D48MNNP-121N□	121	120 \pm 25%	312.5(250)	1.6	1.3	1.0

※ Description of part name

CDR10D48MNNP-2R4N□



- ※1. Saturation current: The DC current at which the inductance decreases to 65% of its nominal value.
 ※2. Temperature rise current: The DC current at which the temperature rise is $\Delta t=40^{\circ}\text{C}$. ($T_a=20^{\circ}\text{C}$).