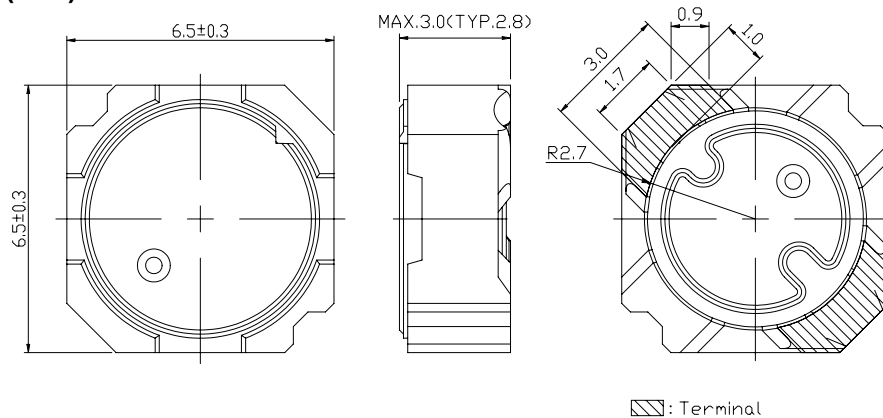
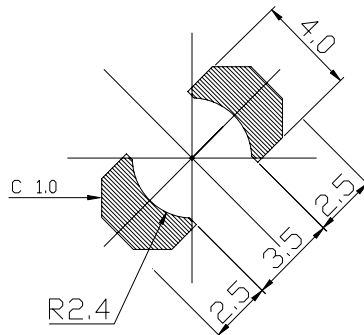


Type: CDR6D28MN
◆ Product Description

- 6.8×6.8mm Max.(L×W), 3.0mm Max. Height.
- Inductance range:1.5~120 μ H
- Rated current range:0.46~3.0A
- In addition to the standard versions of inductors shown here, custom inductors are available to meet your exact requirements.


◆ Feature

- Magnetically shielded construction.
- Hybrid power inductors use Mn-Zn D.core & Ni-Zn R.core, used as general power inductors.
- Higher saturation current characteristics than that of Ni-Zn inductors.
- Usually used in LCD driver,DSC/DVC,Notebook PC or the other portable equipment.
- RoHS Compliance.

◆ Dimensions (mm)

◆ Land Pattern (mm)


Please refer to the sales offices on our website for a representative near you

www.sumida.com

Type: CDR6D28MN
◆ Specification

Part Name ※	Stamp	Inductance (100kHz/1V)	D.C.R.(mΩ) Max.(Typ.) (20°C)	Saturation Current (A)※1		Temperature Rise Current (A)※2
				(20°C)	(105°C)	
CDR6D28MNNP-1R5N□	1R5	1.5 μH ±25%	31.5(25)	5.90	4.55	3.0
CDR6D28MNNP-2R0N□	2R0	2.0 μH ±25%	37.5(30)	4.75	3.90	2.9
CDR6D28MNNP-2R7N□	2R7	2.7 μH ±25%	43.8(35)	4.30	3.45	2.7
CDR6D28MNNP-3R6N□	3R6	3.6 μH ±25%	50.0(40)	3.90	3.05	2.5
CDR6D28MNNP-4R5N□	4R5	4.5 μH ±25%	57.5(46)	3.55	2.75	2.4
CDR6D28MNNP-5R5N□	5R5	5.5 μH ±25%	63.8(51)	3.15	2.50	2.2
CDR6D28MNNP-6R5N□	6R5	6.5 μH ±25%	70.0(56)	3.05	2.40	2.1
CDR6D28MNNP-7R7N□	7R7	7.7 μH ±25%	76.3(61)	2.85	2.30	2.0
CDR6D28MNNP-9R0N□	9R0	9.0 μH ±25%	82.5(66)	2.60	2.10	1.9
CDR6D28MNNP-100N□	100	10 μH ±25%	88.8(71)	2.50	2.00	1.8
CDR6D28MNNP-120N□	120	12 μH ±25%	120.0(96)	2.30	1.75	1.5
CDR6D28MNNP-150N□	150	15 μH ±25%	135.0(108)	2.10	1.55	1.4
CDR6D28MNNP-180N□	180	18 μH ±25%	150.0(121)	1.75	1.45	1.3
CDR6D28MNNP-220N□	220	22 μH ±25%	198.8(159)	1.65	1.25	1.1
CDR6D28MNNP-270N□	270	27 μH ±25%	231.2(185)	1.45	1.15	0.98
CDR6D28MNNP-330N□	330	33 μH ±25%	308.8(247)	1.25	1.05	0.94
CDR6D28MNNP-390N□	390	39 μH ±25%	335.0(268)	1.15	0.95	0.90
CDR6D28MNNP-470N□	470	47 μH ±25%	458.8(367)	1.05	0.90	0.72
CDR6D28MNNP-560N□	560	56 μH ±25%	501.3(401)	1.00	0.80	0.68
CDR6D28MNNP-680N□	680	68 μH ±25%	561.3(449)	0.90	0.75	0.65
CDR6D28MNNP-820N□	820	82 μH ±25%	837.5(670)	0.80	0.65	0.53
CDR6D28MNNP-101N□	101	100 μH ±25%	936.3(749)	0.75	0.60	0.50
CDR6D28MNNP-121N□	121	120 μH ±25%	1028.8(823)	0.70	0.55	0.46

※ Description of part name

CDR6D28MNNP-1R5N□

- B Box
- C Carrier Tape

※1. Saturation current: The DC current at which the inductance decreases to 65% of its nominal value.

※2. Temperature rise current: The DC current at which the temperature rise is $\Delta t = 40^\circ\text{C}$. ($T_a = 20^\circ\text{C}$).