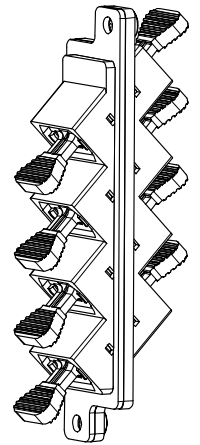
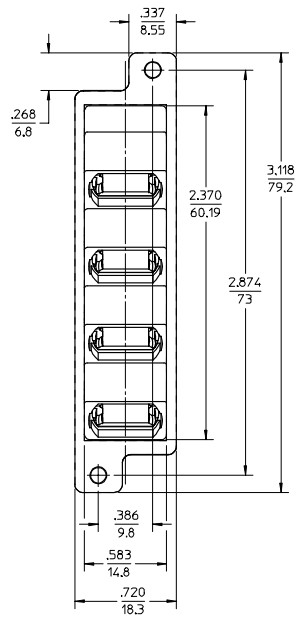
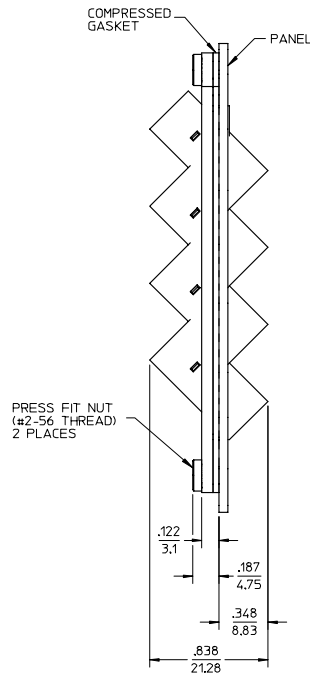


PANEL CUTOUT



- NOTES:
- PART IS SUPPLIED WITH PRESS FIT NUT (#2-56 THREADS) AND SILICONE GASKET WITH CONDUCTIVE FILLER (SHOWN COMPRESSED).
  - OUTER SHELL OF PART IS DIECAST.
  - DUST CAPS SHOWN IN ISOMETRIC VIEW ONLY.

ENTER DESCRIPTION EC NO: MF2006-0349 DRAWN: PGIBLIN 2005/11/02 CHKD: 2005/11/02 APPR: GIBLIN 2005/11/02 REV: A	QUALITY SYMBOLS ▽=0 ▽=0	GENERAL TOLERANCES (UNLESS SPECIFIED) mm INCH 4 PLACES ± --- ± --- 3 PLACES ± --- ± --- 2 PLACES ± 0.10 ± --- 1 PLACE ± 0.10 ± --- ANGULAR ±1/2°	DIMENSION STYLE INCH ONLY DRAWN BY: PGIBLIN CHECKED BY: DATE: 2005/11/17 APPROVED BY: DATE:	SCALE: 1.5:1 DESIGN UNITS: INCH THIRD ANGLE PROJECTION	TITLE: MPO EMI ADAPTER QUAD, 45 DEGREE MOLEX INCORPORATED MATERIAL NO. 106114-3200 DOCUMENT NO. SD-106114-3200	SHEET NO. 1 OF 1
	DRAFT WHERE APPLICABLE MUST REMAIN WITHIN DIMENSIONS		MOLEX INCORPORATED	MOLEX INCORPORATED	MOLEX INCORPORATED	
	THIS DRAWING CONTAINS INFORMATION THAT IS PROPRIETARY TO MOLEX INCORPORATED AND SHOULD NOT BE USED WITHOUT WRITTEN PERMISSION		MOLEX INCORPORATED	MOLEX INCORPORATED	MOLEX INCORPORATED	
	THIS DRAWING CONTAINS INFORMATION THAT IS PROPRIETARY TO MOLEX INCORPORATED AND SHOULD NOT BE USED WITHOUT WRITTEN PERMISSION		MOLEX INCORPORATED	MOLEX INCORPORATED	MOLEX INCORPORATED	