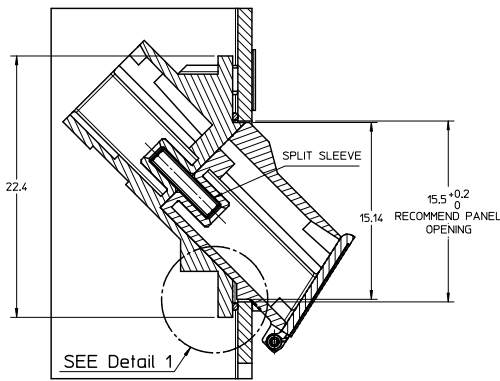
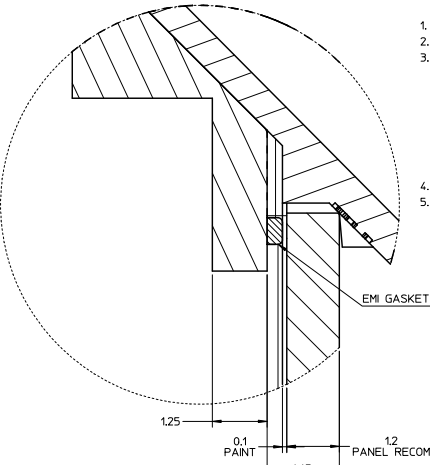
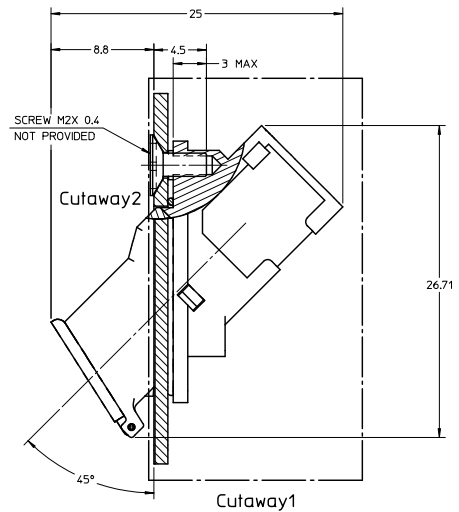
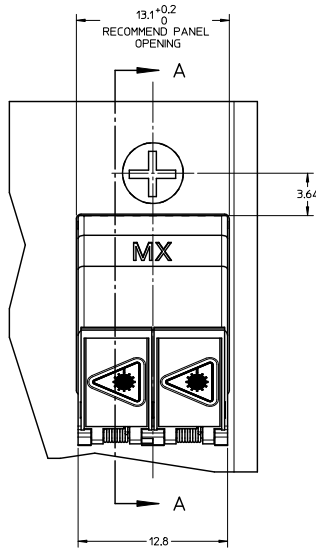


ADAPTER P/N	PLASTIC RECEPTACLE COLOR	SPLIT SLEEVE MATERIAL	SHUTTER DOORS MATERIAL
106115-3200	BLUE	Zr	METAL
106115-3201	GREEN		
106115-3206	BLUE	Ph. Bronze	PLASTIC, COLOR - BLUE
106115-3205	BLUE	Zr	



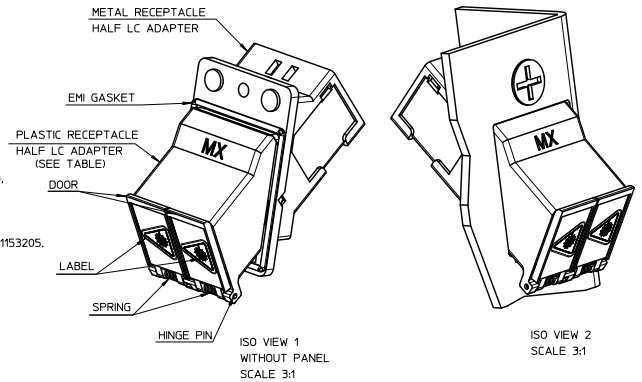
SECTION A-A



Detail 1
SCALE 15:1

NOTES:

- ALL DIMENSIONS ARE FOR REFERENCE ONLY.
- PARTS SHOWN ASSEMBLED FOR CUSTOMER REFERENCE ONLY.
- MATERIAL AND PLATING:
 - METAL RECEPTACLE HALF LC ADAPTER-ZINC DIE CAST PLATING-NICKEL.
 - PLASTIC RECEPTACLE HALF LC ADAPTER-POLYETHER IMIDE (PEI)UL94 V-0.
 - GASKET-SILICONE CONDUCTIVE ELASTOMER SNN 45.
 - SPLIT SLEEVE-ZIRCONIA.
 - LABEL-POLYESTER,(UL 969)
- ALL OTHER PARTS-METAL, EXCEPT PLASTIC SHUTTER DOORS FOR P/N 1061153205.
- LC DUPLEX WASH CAP (DUST CAP) NOT SHOWN-TPV UL94 V-0
- ADAPTERS SHALL BE PACKED IN TRAYS.



ENTER DESCRIPTION EIC NO.: ME2014-0100 DRAWN BY: BENDYAK CHECKED BY: WCHEN APPROVED BY: WCHEN DATE: 2010/08/30 DATE: 2010/08/30 DATE: 2010/08/30	QUALITY SYMBOLS ▽=0 ▽=0	GENERAL TOLERANCES (UNLESS SPECIFIED)		DIMENSION STYLE		SCALE	DESIGN UNITS	THIRD ANGLE PROJECTION	
				MM ONLY		4:1	METRIC		
				DRAWN BY: RPACIFIC1		DATE: 2006/01/31	TITLE: LC ADAPTER (EMI) 45 DEG SCREW MOUNT		
				CHECKED BY: WCHEN		DATE: 2010/08/30	APPROVED BY: WCHEN		
		ANGULAR ±1/2°		MATERIAL NO. SEE TABLE		DOCUMENT NO. SD-106115-3200		SHEET NO. 1 OF 1	
		DRAFT WHERE APPLICABLE MUST REMAIN WITHIN DIMENSIONS		SIZE C		THIS DRAWING CONTAINS INFORMATION THAT IS PROPRIETARY TO MOLEX INCORPORATED AND SHOULD NOT BE USED WITHOUT WRITTEN PERMISSION			