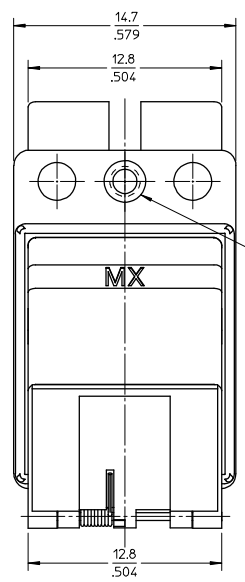
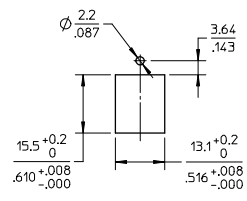
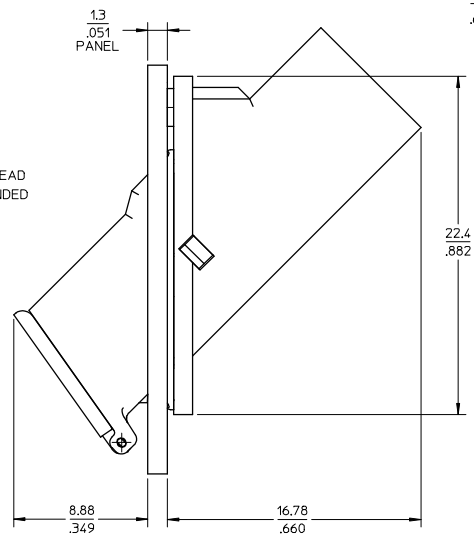


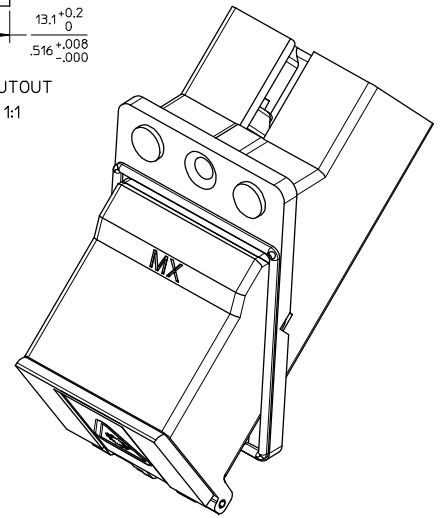
ADAPTER P/N	ADAPTER TYPE	HOUSING COLOR
1061164500	SINGLE MODE	BLUE
1061164510	MULTIMODE	BEIGE
1061164520	APC	GREEN



M2x0.4
4mm LONG FLATHEAD
SCREW RECOMMENDED



PANEL CUTOUT
SCALE 1:1



NOTE:
ALL ADAPTER DIMENSIONS ARE FOR REFERENCE ONLY

ENTER DESCRIPTION EC NO: MF2008-0308 DRAWN BY: DRW:WAP/ZNER CHKD: 2008/02/07 APPR: LGUMIN 2008/02/14	QUALITY SYMBOLS ▽=0 ▽=0	GENERAL TOLERANCES (UNLESS SPECIFIED)		DIMENSION STYLE MM/IN	SCALE 4:1	DESIGN UNITS METRIC	THIRD ANGLE PROJECTION		
		4 PLACES ± --- ± ---	3 PLACES ± --- ± ---	2 PLACES ± --- ± ---	1 PLACE ± --- ± ---	DRAWN BY SERNST	DATE 2006/06/23	TITLE SC 45 DEGREE EMI ADAPTER SCREW MOUNT VERSION	
		ANGULAR ± 1 °				CHECKED BY DSZILAGYI	DATE 2006/07/12	MOLEX INCORPORATED	
		DRAFT WHERE APPLICABLE MUST REMAIN WITHIN DIMENSIONS				APPROVED BY SMIGO	DATE 2006/07/12	MATERIAL NO. SEE TABLE	DOCUMENT NO. SD-106116-4500
A3		SIZE B		THIS DRAWING CONTAINS INFORMATION THAT IS PROPRIETARY TO MOLEX INCORPORATED AND SHOULD NOT BE USED WITHOUT WRITTEN PERMISSION				SHEET NO. 1 OF 1	