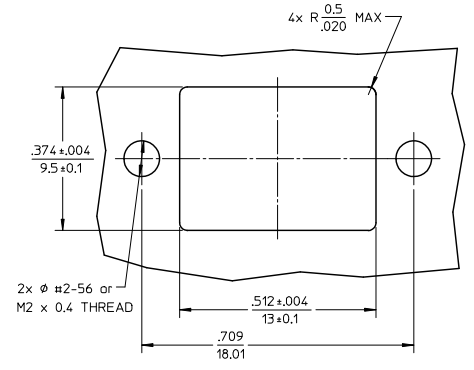
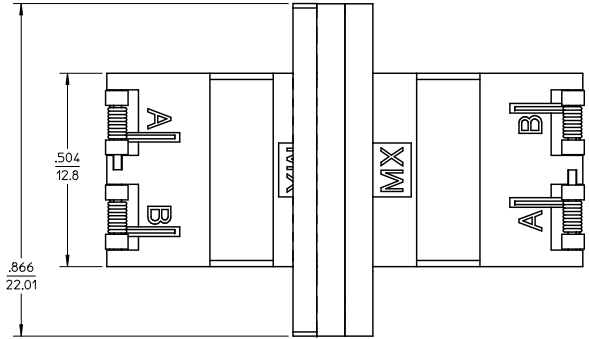
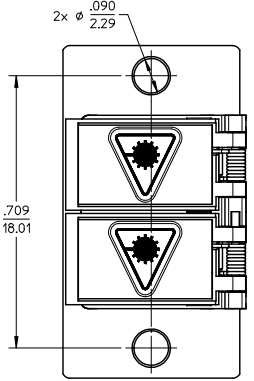
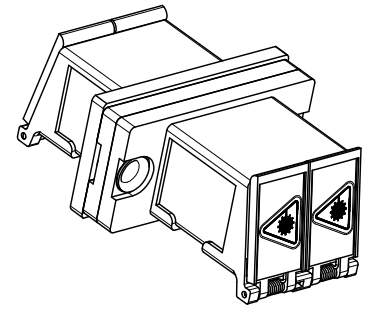
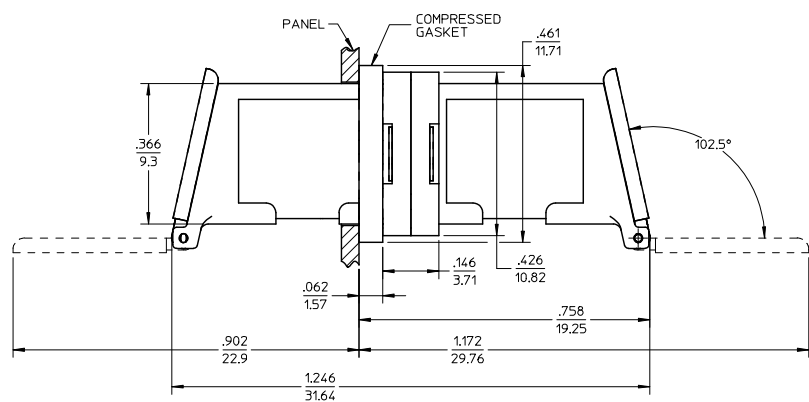


10 9 8 7 6 5 4 3 2 106115

ADAPTER P/N	SPLIT SLEEVE MATERIAL
106115-1120	Zr
106115-1126	Ph. Bronze



- NOTES:
1. ALL DIMENSIONS ARE FOR REFERENCE ONLY.
 2. CONDUCTIVE SILICONE GASKET WITH FILLER IS SUPPLIED WITH PART.
 3. PART IS DIECAST.
 4. ADAPTERS TO BE PACKAGED IN TRAY.

ENTER DESCRIPTION EC NO: MF2010-0005 DRAWN BY: DRW/ANPELZNER CHKD: 2009/07/22 APPR: LG/UMIN 2009/07/17 2009/07/22 2009/07/23	QUALITY SYMBOLS ▽=0 ▽=0	GENERAL TOLERANCES (UNLESS SPECIFIED)		DIMENSION STYLE IN/MM	SCALE 4:1	DESIGN UNITS INCH	THIRD ANGLE PROJECTION	
		4 PLACES ± --- ± --- 3 PLACES ± --- ± --- 2 PLACES ± --- ± --- 1 PLACE ± --- ± ---	mm INCH	DRAWN BY: PGIBLIN DATE: 2005/12/08	TITLE LC-D EMI ADAPTER, (SCREW MOUNT,W/SHUTTERS)			
		ANGULAR ±1/2°	DRAFT WHERE APPLICABLE MUST REMAIN WITHIN DIMENSIONS	CHECKED BY: DATE: APPROVED BY: DATE:	MATERIAL NO. SEE TABLE			
		MOLEX INCORPORATED	DOCUMENT NO. SD-106115-112X	SHEET NO. 1 OF 1				