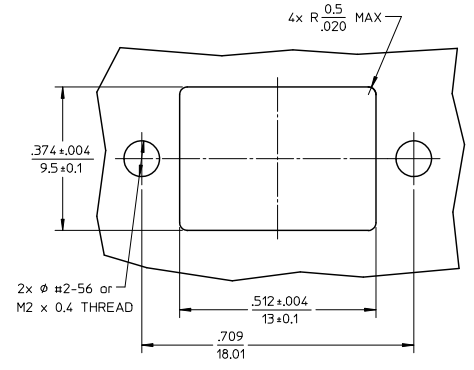
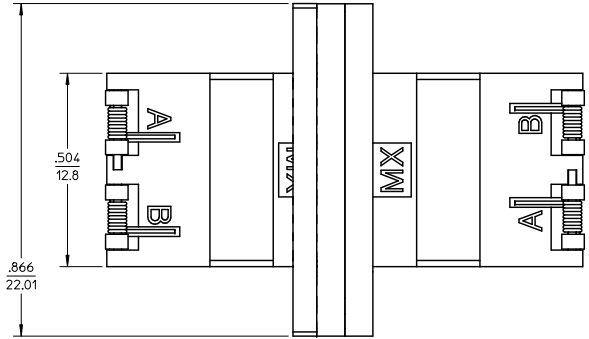
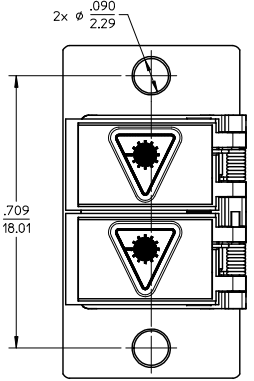
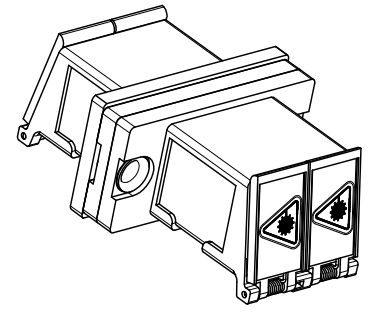
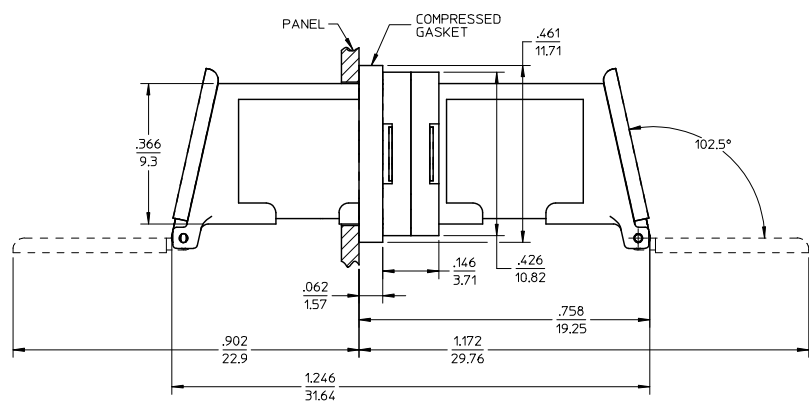


10 9 8 7 6 5 4 3 2 106115

ADAPTER P/N	SPLIT SLEEVE MATERIAL
106115-1120	Zr
106115-1126	Ph. Bronze



- NOTES:
1. ALL DIMENSIONS ARE FOR REFERENCE ONLY.
 2. CONDUCTIVE SILICONE GASKET WITH FILLER IS SUPPLIED WITH PART.
 3. PART IS DIECAST.
 4. ADAPTERS TO BE PACKAGED IN TRAY.

ENTER DESCRIPTION EC NO: MF2010-0005 DRAWN BY: PGIBLIN CHKD: 2009/07/22 APPR: LGJMIN 2009/07/23	QUALITY SYMBOLS ▽=0 ▽=0	GENERAL TOLERANCES (UNLESS SPECIFIED)		DIMENSION STYLE IN/MM	SCALE 4:1	DESIGN UNITS INCH	THIRD ANGLE PROJECTION
		4 PLACES ± --- ± --- 3 PLACES ± --- ± --- 2 PLACES ± --- ± --- 1 PLACE ± --- ± ---	mm INCH	DRAWN BY: PGIBLIN DATE: 2005/12/08 CHECKED BY: DATE:	TITLE LC-D EMI ADAPTER, (SCREW MOUNT,W/SHUTTERS)		
		ANGULAR ±1/2°	DRAFT WHERE APPLICABLE MUST REMAIN WITHIN DIMENSIONS	APPROVED BY: DATE:	MOLEX INCORPORATED		
		MATERIAL NO. DOCUMENT NO. SHEET NO.	SEE TABLE SD-106115-112X 1 OF 1	THIS DRAWING CONTAINS INFORMATION THAT IS PROPRIETARY TO MOLEX INCORPORATED AND SHOULD NOT BE USED WITHOUT WRITTEN PERMISSION			