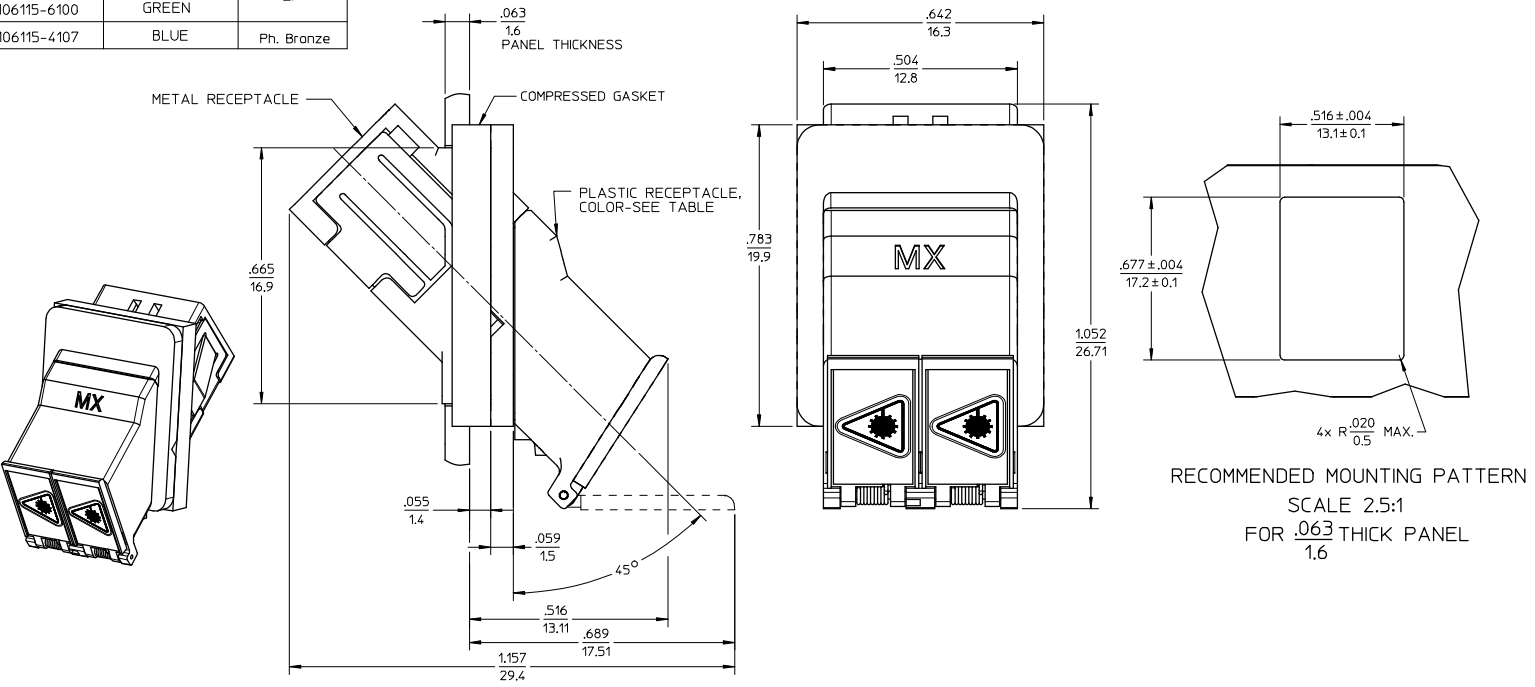


10 9 8 7 6 5 4 3 2 106115

ADAPTER P/N	PLASTIC RECEPTACLE COLOR	SPLIT SLEEVE MATERIAL
106115-4100	BLUE	Zr
106115-6100	GREEN	
106115-4107	BLUE	Ph. Bronze



- NOTES:
1. DIMENSIONS SHOWN ARE FOR REFERENCE ONLY.
 2. CONDUCTIVE FABRIC OVER FOAM GASKET (SHOWN COMPRESSED) IS SUPPLIED WITH THE PART.
 3. LC DUPLEX WASH CAP NOT SHOWN.
 4. ADAPTERS TO BE PACKAGED IN TRAY.

ENTER DESCRIPTION EC NO: MF2008-0344 DRAWN BY: DRW/HAPELZNER CHKD: 2008/02/27 APPR: LGUMIN 2008/02/27 A1	QUALITY SYMBOLS ▽=0 ▽=0	GENERAL TOLERANCES (UNLESS SPECIFIED) <table border="1"> <thead> <tr> <th></th> <th>mm</th> <th>INCH</th> </tr> </thead> <tbody> <tr> <td>4 PLACES</td> <td>± .---</td> <td>± .---</td> </tr> <tr> <td>3 PLACES</td> <td>± .---</td> <td>± .---</td> </tr> <tr> <td>2 PLACES</td> <td>± .---</td> <td>± .---</td> </tr> <tr> <td>1 PLACE</td> <td>± .---</td> <td>± .---</td> </tr> </tbody> </table> ANGULAR ±1/2°		mm	INCH	4 PLACES	± .---	± .---	3 PLACES	± .---	± .---	2 PLACES	± .---	± .---	1 PLACE	± .---	± .---	DIMENSION STYLE IN/MM DRAWN BY: PGIBLIN DATE: 2005/12/09 CHECKED BY: DATE:	SCALE: 4:1 DESIGN UNITS: INCH THIRD ANGLE PROJECTION	TITLE: LC-D EMI ADAPTER, 45 DEGREE (SNAP MOUNT) MOLEX INCORPORATED
		mm	INCH																	
	4 PLACES	± .---	± .---																	
	3 PLACES	± .---	± .---																	
2 PLACES	± .---	± .---																		
1 PLACE	± .---	± .---																		
DRAFT WHERE APPLICABLE MUST REMAIN WITHIN DIMENSIONS	MATERIAL NO. SEE TABLE SIZE B	DOCUMENT NO. SD-106115-Y10Y SHEET NO. 1 OF 1	THIS DRAWING CONTAINS INFORMATION THAT IS PROPRIETARY TO MOLEX INCORPORATED AND SHOULD NOT BE USED WITHOUT WRITTEN PERMISSION																	

lb_frame_B_P_AM_1
Rev. D 2004/06/28