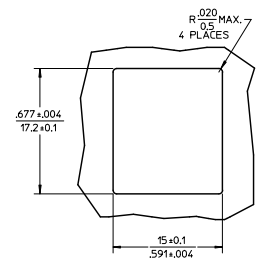
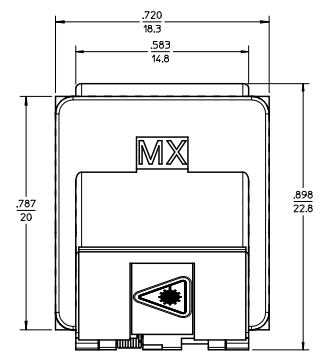
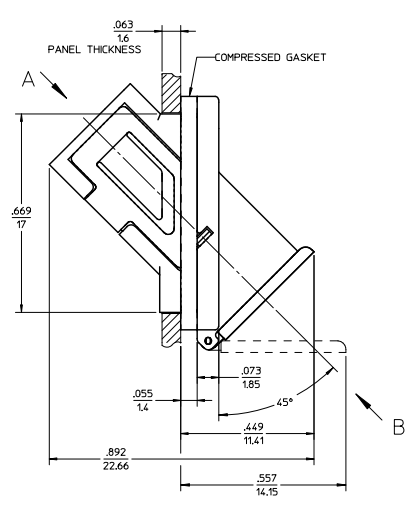
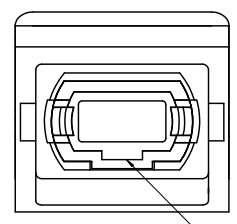
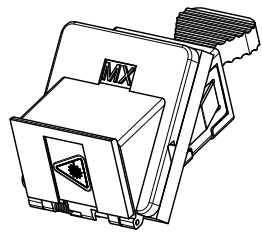


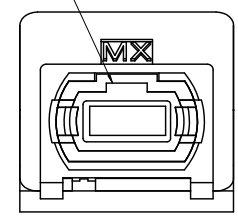
13 12 11 10 9 8 7 6 5 4 3 2 1



RECOMMENDED MOUNTING PATTERN
SCALE 2.5:1
FOR .063 THICK PANEL
1.6



VIEW A
(DUST CAP NOT SHOWN)



VIEW B
(SHUTTER NOT SHOWN)

- NOTES:
1. DIMENSIONS SHOWN ARE FOR REFERENCE ONLY.
 2. CONDUCTIVE FABRIC OVER FOAM GASKET (SHOWN COMPRESSED) IS SUPPLIED WITH THE PART.
 3. OUTER PARTS ARE DIECAST.
 4. DUST CAP SHOWN IN ISOMETRIC VIEW ONLY.
 5. ADAPTERS TO BE PACKAGED IN TRAY.

ENTER DESCRIPTION EC NO. MF2010-0240 DRAWN BY: DRW:KFEVZNER CHKD: 2009/12/04 APPR: LGUMIN 2009/12/07	QUALITY SYMBOLS ▽=0 ▽=0	GENERAL TOLERANCES (UNLESS SPECIFIED)		DIMENSION STYLE	SCALE	DESIGN UNITS	THIRD ANGLE PROJECTION
		4 PLACES ±--- ±---	mm	IN/MM	4:1	METRIC	MPO EMI ADAPTER 45 DEGREE 45 DEGREE (SNAP MOUNT) MOLEX INCORPORATED
		3 PLACES ±--- ±---	INCH	DRAWN BY	DATE	TITLE	
		2 PLACES ±--- ±---	APPROVED BY	DATE	MATERIAL NO.	DOCUMENT NO.	
1 PLACE ±--- ±---	ANGULAR ±1/2°	DATE	1061144000	SD-106114-4000			
DRAFT WHERE APPLICABLE MUST REMAIN WITHIN DIMENSIONS		SIZE C		THIS DRAWING CONTAINS INFORMATION THAT IS PROPRIETARY TO MOLEX INCORPORATED AND SHOULD NOT BE USED WITHOUT WRITTEN PERMISSION			
REV	DESCRIPTION					SHEET NO. 1 OF 1	

12 11 10 9 8 7 6 5 4 3 2 1