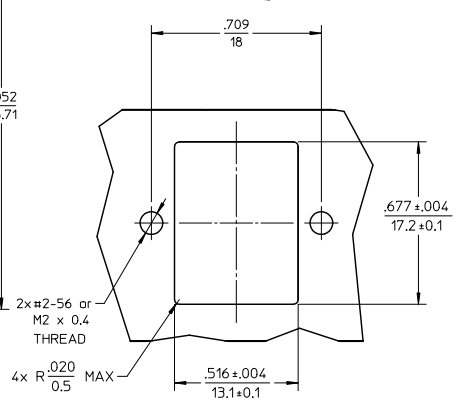
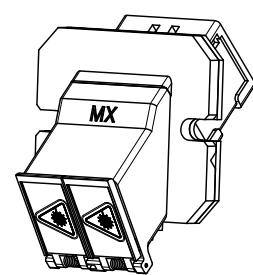
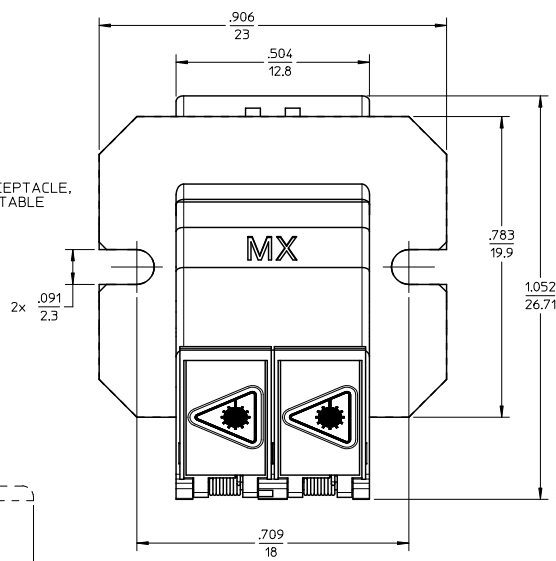
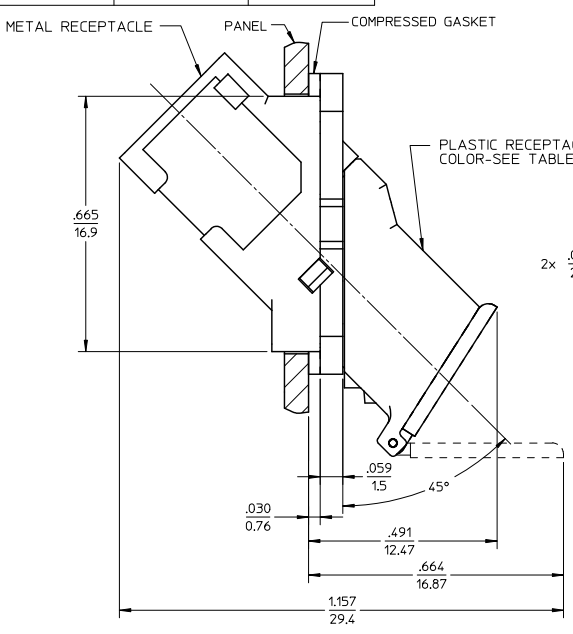


ADAPTER P/N	PLASTIC RECEPTACLE COLOR	SPLIT SLEEVE MATERIAL
106115-3100	BLUE	Zr
106115-3140	BEIGE	
106115-5100	GREEN	Ph. Bronze
106115-3106	BLUE	



RECOMMENDED MOUNTING PATTERN  
SCALE 2.5:1

- NOTES:
1. DIMENSIONS SHOWN ARE FOR REFERENCE ONLY.
  2. SILICONE GASKET WITH FILLER (SHOWN COMPRESSED) IS SUPPLIED WITH THE PART.
  3. LC DUPLEX WASH CAP NOT SHOWN.
  4. ADAPTERS TO BE PACKAGED IN TRAY.

ENTER DESCRIPTION EC NO: MF2011-0127 DRAWN: KPEVZNER CHKD: WCHEN APPR: WCHEN	QUALITY SYMBOLS ▽=0 ▽=0	GENERAL TOLERANCES (UNLESS SPECIFIED)	DIMENSION STYLE		SCALE	DESIGN UNITS	THIRD ANGLE PROJECTION
			IN/MM	4:1	INCH		
C	DESCRIPTION	DRAFT WHERE APPLICABLE MUST REMAIN WITHIN DIMENSIONS	DRAWN BY		TITLE		LC-D EMI ADAPTER, 45 DEGREE (SCREW MOUNT)
			KPEVZNER	2010/09/16	MOLEX INCORPORATED		
REV	DESCRIPTION	ANGULAR ±1/2°	CHECKED BY		DOCUMENT NO.		SHEET NO. 1 OF 1
			WCHEN	2010/09/16	SD-106115-X10X		
MATERIAL NO.			SEE TABLE		THIS DRAWING CONTAINS INFORMATION THAT IS PROPRIETARY TO MOLEX INCORPORATED AND SHOULD NOT BE USED WITHOUT WRITTEN PERMISSION		