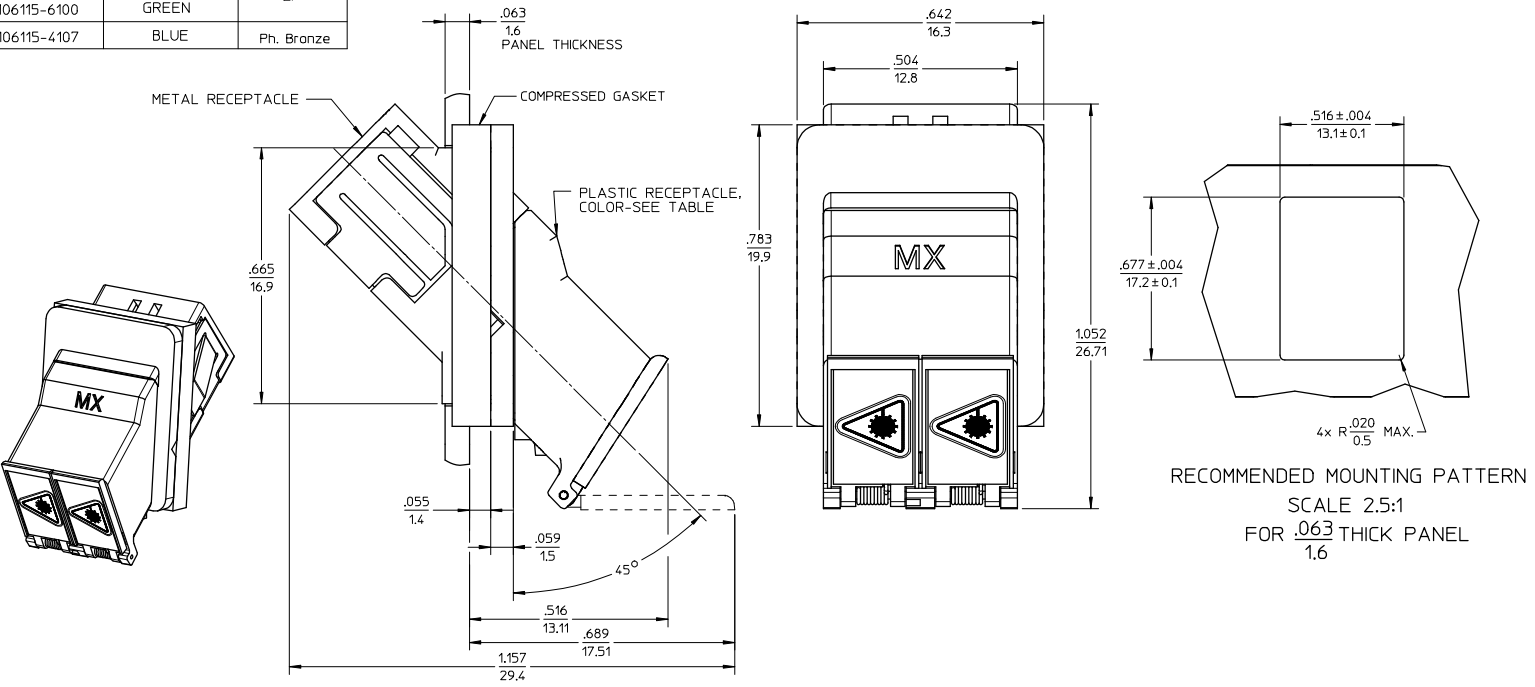


10 9 8 7 6 5 4 3 2 106115

ADAPTER P/N	PLASTIC RECEPTACLE COLOR	SPLIT SLEEVE MATERIAL
106115-4100	BLUE	Zr
106115-6100	GREEN	
106115-4107	BLUE	Ph. Bronze



- NOTES:
1. DIMENSIONS SHOWN ARE FOR REFERENCE ONLY.
 2. CONDUCTIVE FABRIC OVER FOAM GASKET (SHOWN COMPRESSED) IS SUPPLIED WITH THE PART.
 3. LC DUPLEX WASH CAP NOT SHOWN.
 4. ADAPTERS TO BE PACKAGED IN TRAY.

ENTER DESCRIPTION EC NO: MF2008-0344 DRAWN BY: DRW/HAPELZNER CHKD: 2008/02/27 APPR: LGUMIN 2008/02/27 A1	QUALITY SYMBOLS	GENERAL TOLERANCES (UNLESS SPECIFIED) 4 PLACES ± --- ± --- 3 PLACES ± --- ± --- 2 PLACES ± --- ± --- 1 PLACE ± --- ± --- ANGULAR ± 1/2° DRAFT WHERE APPLICABLE MUST REMAIN WITHIN DIMENSIONS	DIMENSION STYLE	SCALE	DESIGN UNITS	THIRD ANGLE PROJECTION	
			IN/MM	4:1	INCH		
			DRAWN BY	DATE	TITLE		
			PGIBLIN	2005/12/09	LC-D EMI ADAPTER, 45 DEGREE (SNAP MOUNT)		
	CHECKED BY	DATE	MOLEX INCORPORATED				
	APPROVED BY	DATE	MATERIAL NO.	DOCUMENT NO.	SHEET NO.		
			SEE TABLE	SD-106115-Y10Y	1 OF 1		
			THIS DRAWING CONTAINS INFORMATION THAT IS PROPRIETARY TO MOLEX INCORPORATED AND SHOULD NOT BE USED WITHOUT WRITTEN PERMISSION				

106115 2 3 4 5 6 7 8 9 10

ib_frame_B_P_AM_1 Rev. D 2004/06/28