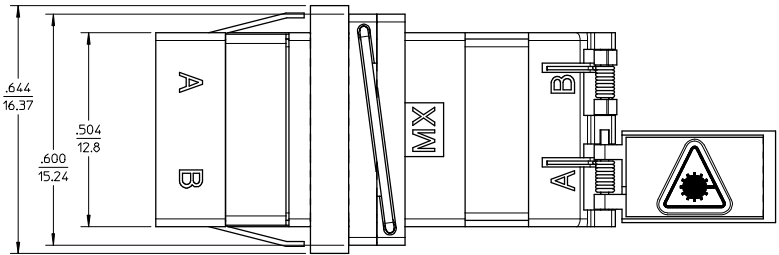
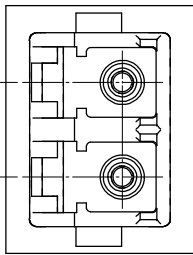
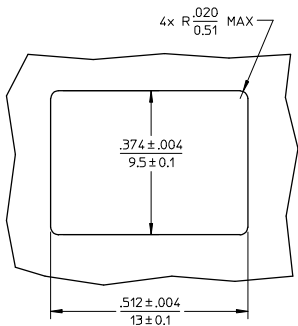
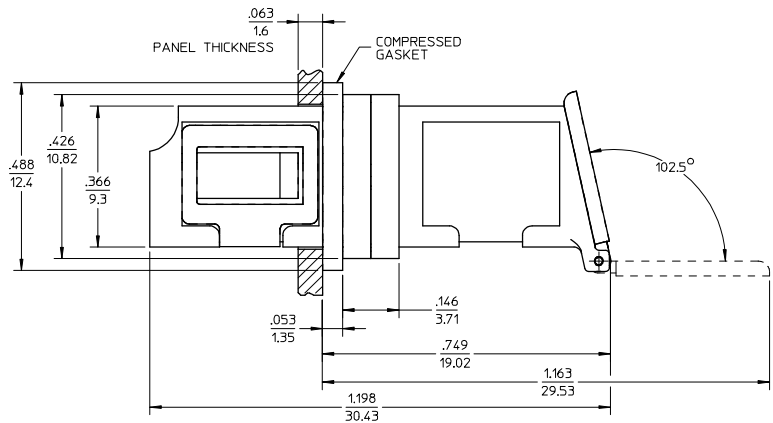
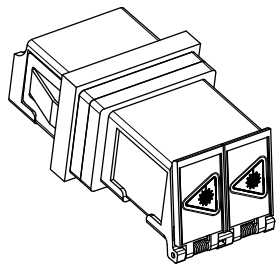


10 9 8 7 6 5 4 3 2 106115

ADAPTER P/N	SPLIT SLEEVE MATERIAL	EMI GASKET MATERIAL
106115-2110	Zr	FABRIC OVER FOAM
106115-2116	Ph. Bronze	FABRIC OVER FOAM
106115-2117	Zr	SOLID



RECOMMENDED PANEL CUTOUT
PANEL THICKNESS - 1.6mm/.063"

- NOTES:
1. ALL DIMENSIONS ARE FOR REFERENCE ONLY.
 2. CONDUCTIVE FABRIC OVER FOAM GASKET IS SUPPLIED WITH PART.
 3. PART IS DIECAST.
 4. DUST CAPS NOT SHOWN.
 5. ADAPTERS TO BE PACKAGED IN TRAY.

ENTER DESCRIPTION EC NO: MF2009-0058 DRAWN BY: PEZNER CHKD: 2008/08/06 APPR: LUMIN 2008/08/07	QUALITY SYMBOLS	GENERAL TOLERANCES (UNLESS SPECIFIED) <table border="1"> <thead> <tr> <th></th> <th>mm</th> <th>INCH</th> </tr> </thead> <tbody> <tr> <td>4 PLACES</td> <td>± .15</td> <td>± .005</td> </tr> <tr> <td>3 PLACES</td> <td>± .10</td> <td>± .003</td> </tr> <tr> <td>2 PLACES</td> <td>± .07</td> <td>± .002</td> </tr> <tr> <td>1 PLACE</td> <td>± .05</td> <td>± .001</td> </tr> </tbody> </table> ANGULAR ± 1/2°		mm	INCH	4 PLACES	± .15	± .005	3 PLACES	± .10	± .003	2 PLACES	± .07	± .002	1 PLACE	± .05	± .001	DIMENSION STYLE IN/MM	SCALE 4:1	DESIGN UNITS INCH	THIRD ANGLE PROJECTION
			mm	INCH																	
	4 PLACES		± .15	± .005																	
	3 PLACES		± .10	± .003																	
2 PLACES	± .07	± .002																			
1 PLACE	± .05	± .001																			
DRAWN BY: PGIBLIN DATE: 2005/12/09 CHECKED BY:	MATERIAL NO. SEE TABLE	TITLE LC-D EMI ADAPTER, (SNAP MOUNT, W/SHUTTERS)	APPROVED BY:	DOCUMENT NO. SD-106115-211X	SHEET NO. 1 OF 1																
DRAFT WHERE APPLICABLE MUST REMAIN WITHIN DIMENSIONS	THIS DRAWING CONTAINS INFORMATION THAT IS PROPRIETARY TO MOLEX INCORPORATED AND SHOULD NOT BE USED WITHOUT WRITTEN PERMISSION																				
MILEX MOLEX INCORPORATED																					

hb_frame_B_P_AM_T Rev. D 2004/06/28 9 8 7 6 5 4 3 2 1