
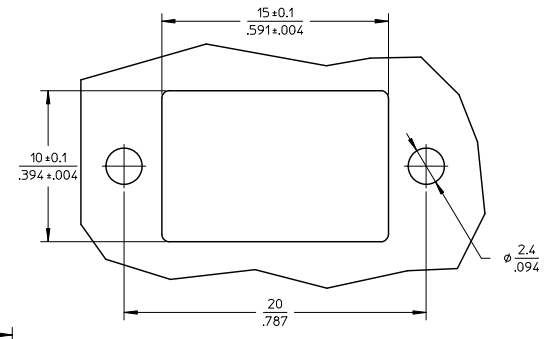
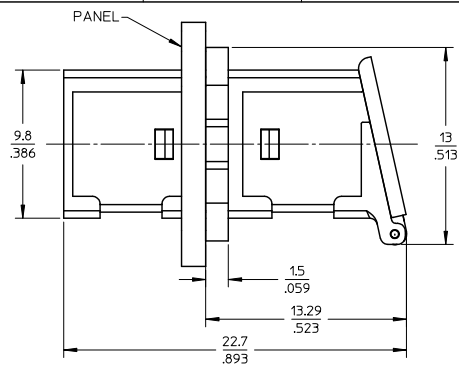
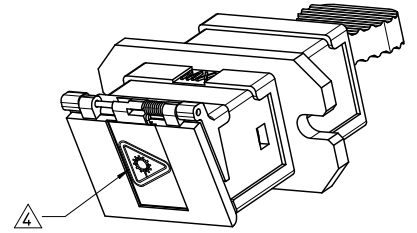
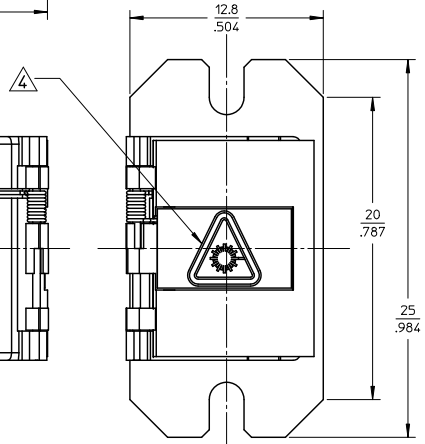
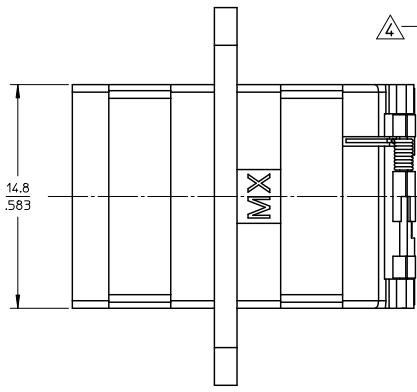
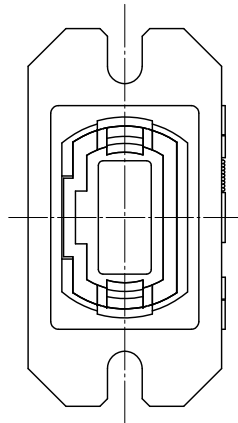


PART #	LASER WARNING LABEL 
106114-1110	INSTALLED ON ADAPTER
106114-1120	INCLUDED WITH PACKAGING



RECOMMENDED MOUNTING PATTERN



SCALE 2:1

- NOTES:
1. DUST CAP SHOWN ONLY IN ISOMETRIC VIEW.
 2. ADAPTERS TO BE PACKED IN TRAY.
 3. OUTER SHELL OF PART IS DIECAST.
 4. LASER WARNING LABEL IS INSTALLED ON ADAPTER P/N 106114-0110. LASER WARNING LABEL IS SUPPLIED WITH ADAPTER P/N 106114-0120. TO BE INSTALLED BY CUSTOMER.

ENTER DESCRIPTION EC NO: MF2010-0341 DRAWN BY: DRWAHPEVZNER CHKD: 2010/02/09 APPR: IGUMIN 2010/02/09 REV	QUALITY SYMBOLS	GENERAL TOLERANCES (UNLESS SPECIFIED) mm INCH 4 PLACES ± --- ± --- 3 PLACES ± --- ± --- 2 PLACES ± 0.10 ± --- 1 PLACE ± 0.10 ± --- ANGULAR ± 1/2° DRAFT WHERE APPLICABLE MUST REMAIN WITHIN DIMENSIONS	DIMENSION STYLE	SCALE	DESIGN UNITS	THIRD ANGLE PROJECTION
	▽=0 ▽=0		MM/IN	4:1	METRIC	
			DRAWN BY	DATE	TITLE	
			JSZEWczyk	2009/06/09	MPO EMI ADAPTER, FLANGE, NO EMI GASKET	
	APPROVED BY	DATE	MATERIAL NO.	DOCUMENT NO.	SHEET NO.	
	IGUMIN	2010/02/09	1061141110	SD-106114-1110	1 OF 1	
			THIS DRAWING CONTAINS INFORMATION THAT IS PROPRIETARY TO MOLEX INCORPORATED AND SHOULD NOT BE USED WITHOUT WRITTEN PERMISSION			