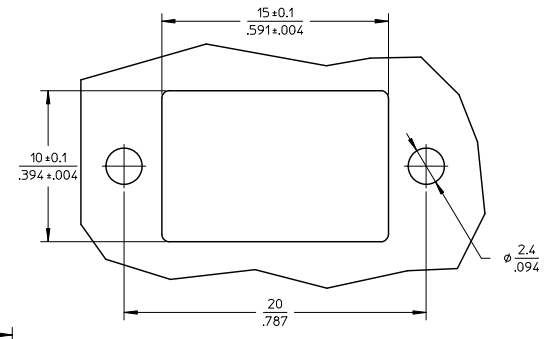
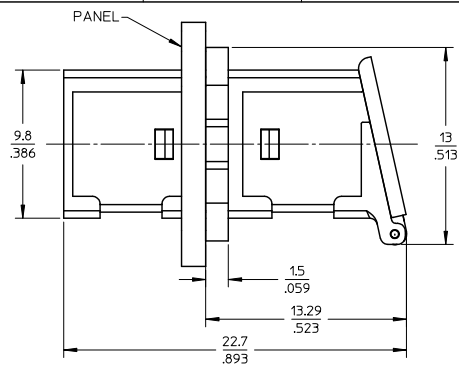
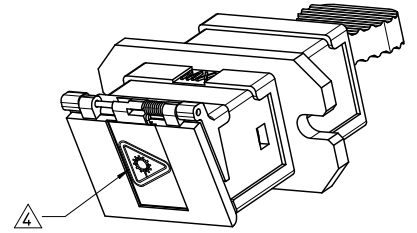
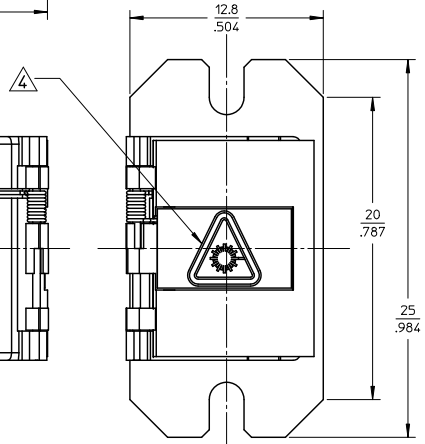
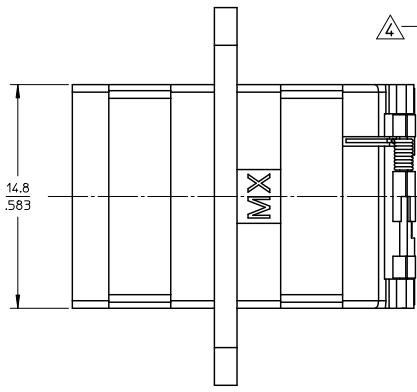
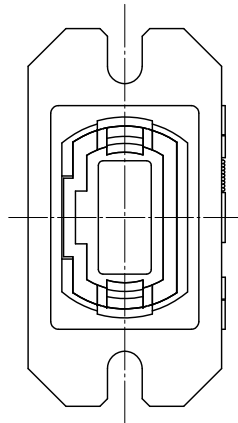


PART #	LASER WARNING LABEL
106114-1110	INSTALLED ON ADAPTER
106114-1120	INCLUDED WITH PACKAGING



RECOMMENDED MOUNTING PATTERN



SCALE 2:1

- NOTES:
1. DUST CAP SHOWN ONLY IN ISOMETRIC VIEW.
  2. ADAPTERS TO BE PACKED IN TRAY.
  3. OUTER SHELL OF PART IS DIECAST.
  4. LASER WARNING LABEL IS INSTALLED ON ADAPTER P/N 106114-0110. LASER WARNING LABEL IS SUPPLIED WITH ADAPTER P/N 106114-0120. TO BE INSTALLED BY CUSTOMER.

ENTER DESCRIPTION EC NO: MF2010-0341 DRW: JJSZEW CHKD: JJSZEW APPR: JGUMIN DATE: 2010/02/09	QUALITY SYMBOLS	GENERAL TOLERANCES (UNLESS SPECIFIED) mm INCH 4 PLACES ± --- ± --- 3 PLACES ± --- ± --- 2 PLACES ± 0.10 ± --- 1 PLACE ± 0.10 ± --- ANGULAR ± 1/2°	DIMENSION STYLE	SCALE	DESIGN UNITS	THIRD ANGLE PROJECTION	
	▽=0 ▽=0		MM/IN	4:1	METRIC		
			DRAWN BY	DATE	TITLE		
			JJSZEW	2009/06/09	MPO EMI ADAPTER, FLANGE, NO EMI GASKET		
	APPROVED BY	DATE	Molex MOLEX INCORPORATED				
	JGUMIN	2010/02/09	DOCUMENT NO. SD-106114-1110				
	MATERIAL NO.	1061141110	SHEET NO. 1 OF 1				
	SIZE	B	THIS DRAWING CONTAINS INFORMATION THAT IS PROPRIETARY TO MOLEX INCORPORATED AND SHOULD NOT BE USED WITHOUT WRITTEN PERMISSION				