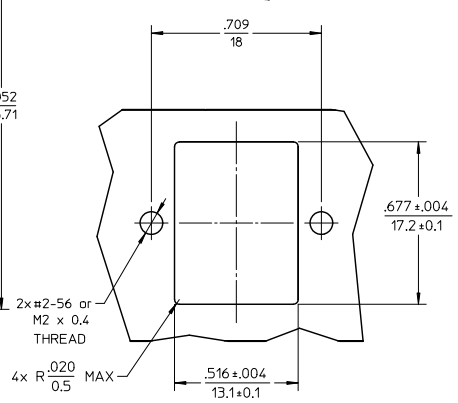
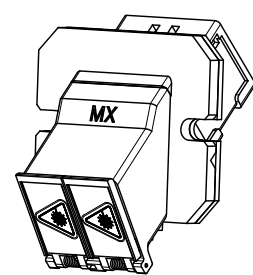
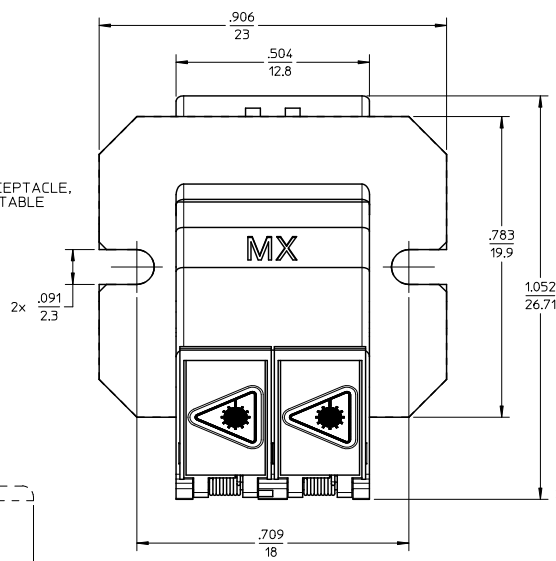
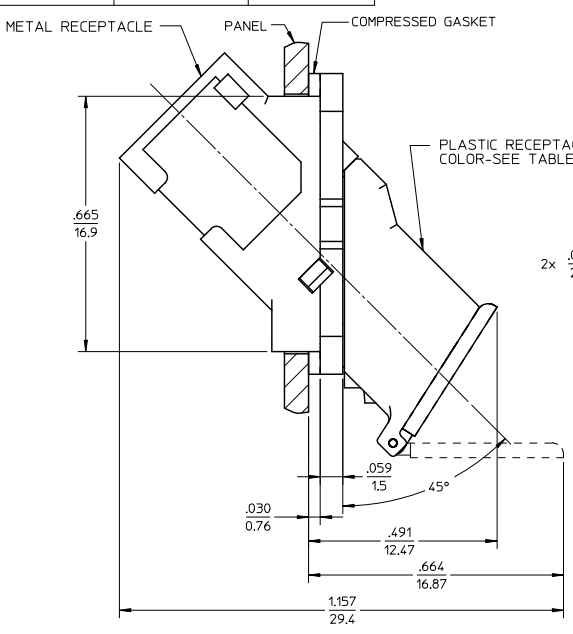


ADAPTER P/N	PLASTIC RECEPTACLE COLOR	SPLIT SLEEVE MATERIAL
106115-3100	BLUE	Zr
106115-3140	BEIGE	
106115-5100	GREEN	Ph. Bronze
106115-3106	BLUE	



RECOMMENDED MOUNTING PATTERN
SCALE 2.5:1

- NOTES:
1. DIMENSIONS SHOWN ARE FOR REFERENCE ONLY.
 2. SILICONE GASKET WITH FILLER (SHOWN COMPRESSED) IS SUPPLIED WITH THE PART.
 3. LC DUPLEX WASH CAP NOT SHOWN.
 4. ADAPTERS TO BE PACKAGED IN TRAY.

ENTER DESCRIPTION EC NO: MF2011-0127 DRAWN: KPEVZNER CHKD: WCHEN APPR: WCHEN	QUALITY SYMBOLS ▽=0 ▽=0	GENERAL TOLERANCES (UNLESS SPECIFIED)	DIMENSION STYLE		SCALE	DESIGN UNITS	THIRD ANGLE PROJECTION
			IN/MM	4:1	INCH		
DRAWN BY KPEVZNER DATE 2010/09/16	CHECKED BY WCHEN DATE 2010/09/16	APPROVED BY WCHEN DATE 2010/09/16	DRAWN BY		TITLE		
			DATE	2010/09/16	LC-D EMI ADAPTER, 45 DEGREE (SCREW MOUNT)		
MATERIAL NO. SEE TABLE	SIZE B	MATERIAL NO.		DOCUMENT NO.		SHEET NO.	
		2010/09/16	SD-106115-X10X	MOLEX INCORPORATED		1 OF 1	
DRAFT WHERE APPLICABLE MUST REMAIN WITHIN DIMENSIONS			THIS DRAWING CONTAINS INFORMATION THAT IS PROPRIETARY TO MOLEX INCORPORATED AND SHOULD NOT BE USED WITHOUT WRITTEN PERMISSION				