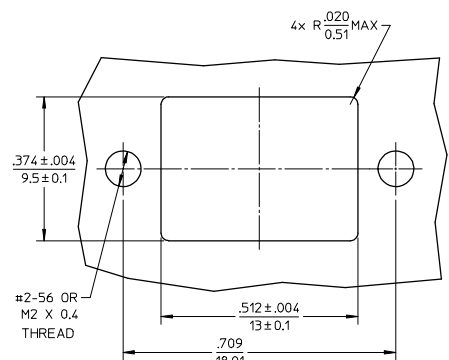
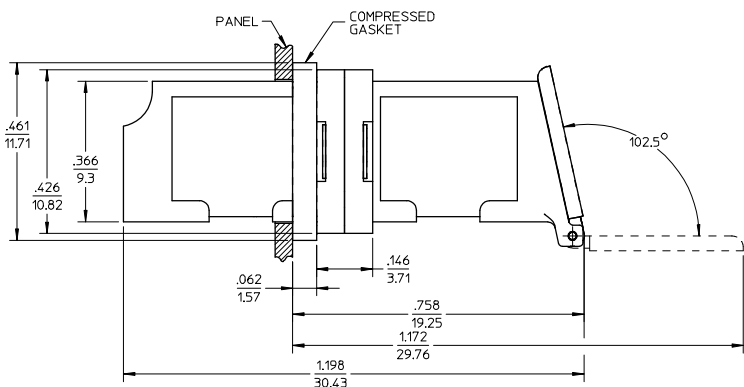
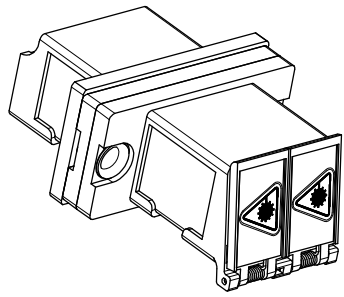
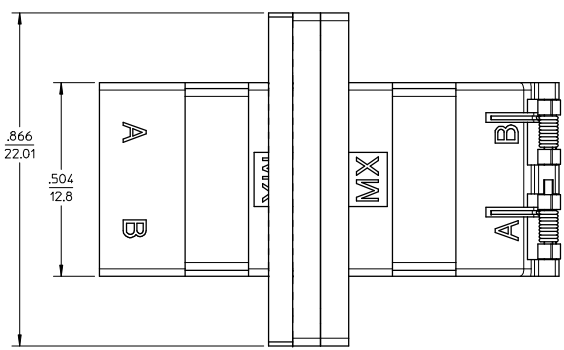
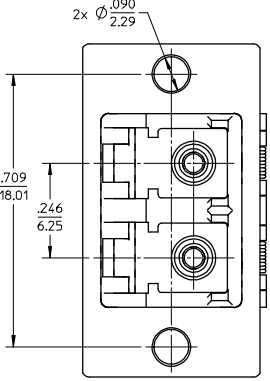


10 9 8 7 6 5 4 3 2 106115

ADAPTER P/N	SPLIT SLEEVE MATERIAL	LC DOOR MATERIAL
106115-1110	Zr	METAL
106115-1116	Ph. Bronze	METAL
106115-1130	Zr	PLASTIC, GREEN



RECOMMENDED MOUNTING PATTERN



- NOTES:
- ALL DIMENSIONS ARE FOR REFERENCE ONLY.
 - CONDUCTIVE SILICONE GASKET WITH FILLER IS SUPPLIED WITH PART.
 - PART IS DIECAST.
 - DUST CAP NOT SHOWN.
 - ADAPTERS TO BE PACKAGED IN TRAY.

ENTER DESCRIPTION EC NO: MF2008-0344 DRAWN BY: DRW:MPZ/MER CHKD: 2008/02/27 APPR: LGUMIN 2008/02/27 REV: B2	QUALITY SYMBOLS	GENERAL TOLERANCES (UNLESS SPECIFIED) mm INCH 4 PLACES ± --- ± --- 3 PLACES ± --- ± --- 2 PLACES ± --- ± --- 1 PLACE ± --- ± --- ANGULAR ± 1/2° DRAFT WHERE APPLICABLE MUST REMAIN WITHIN DIMENSIONS	DIMENSION STYLE	SCALE	DESIGN UNITS	THIRD ANGLE PROJECTION
			IN/MM	4:1	INCH	
			DRAWN BY	DATE	TITLE	
			CHECKED BY	DATE	LC-D EMI ADAPTER (SCREW MOUNT, W/SHUTTERS)	
			APPROVED BY	DATE	Molex MOLEX INCORPORATED	
			MATERIAL NO.	DOCUMENT NO.	SHEET NO.	
			SEE TABLE	SD-106115-111X	1 OF 1	
			THIS DRAWING CONTAINS INFORMATION THAT IS PROPRIETARY TO MOLEX INCORPORATED AND SHOULD NOT BE USED WITHOUT WRITTEN PERMISSION			

tb_frame_B_P_AM_1 Rev. D 2004/06/28 9 8 7 6 5 4 3 2 1