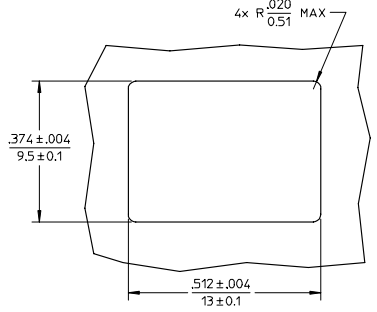
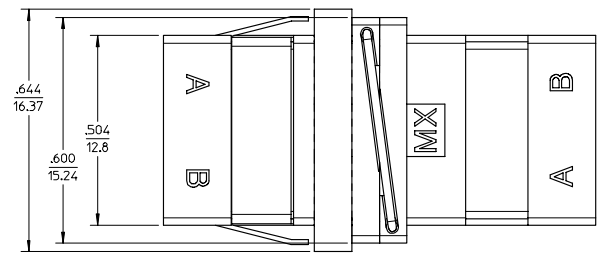
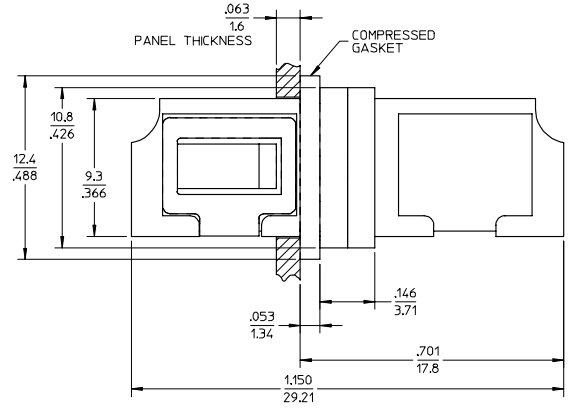
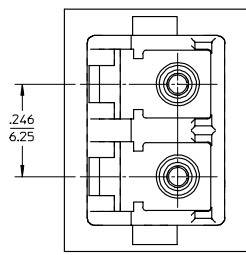
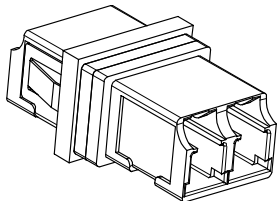


106115

ADAPTER P/N	SPLIT SLEEVE MATERIAL
106115-2100	Zr
106115-2106	Ph. Bronze



RECOMMENDED PANEL CUTOUT  
PANEL THICKNESS - 1.6mm/.063"



- NOTES:
- ALL DIMENSIONS ARE FOR REFERENCE ONLY.
  - CONDUCTIVE FABRIC OVER FOAM GASKET IS SUPPLIED WITH PART.
  - PART IS DIECAST.
  - DUST CAPS NOT SHOWN.
  - ADAPTERS TO BE PACKAGED IN TRAY.

ENTER DESCRIPTION EC NO: MF2007-0628 DRAWN: GIMIN 2007/04/16 CHKD: GIMIN 2007/04/16 APPR: GIMIN 2007/04/16 REV:	QUALITY SYMBOLS	GENERAL TOLERANCES (UNLESS SPECIFIED) <table border="1"> <tr> <th></th> <th>mm</th> <th>INCH</th> </tr> <tr> <td>4 PLACES</td> <td>± .004</td> <td>± .001</td> </tr> <tr> <td>3 PLACES</td> <td>± .003</td> <td>± .001</td> </tr> <tr> <td>2 PLACES</td> <td>± .002</td> <td>± .001</td> </tr> <tr> <td>1 PLACE</td> <td>± .001</td> <td>± .001</td> </tr> </table>		mm	INCH	4 PLACES	± .004	± .001	3 PLACES	± .003	± .001	2 PLACES	± .002	± .001	1 PLACE	± .001	± .001	DIMENSION STYLE IN/MM	SCALE 4:1	DESIGN UNITS INCH	THIRD ANGLE PROJECTION
			mm	INCH																	
	4 PLACES		± .004	± .001																	
	3 PLACES		± .003	± .001																	
2 PLACES	± .002	± .001																			
1 PLACE	± .001	± .001																			
DRAWN BY PGIBLIN	DATE 2005/12/08	TITLE LC-D EMI ADAPTER, (SNAP MOUNT)																			
CHECKED BY	DATE	MOLEX INCORPORATED																			
APPROVED BY	DATE	MATERIAL NO. SEE TABLE	DOCUMENT NO. SD-106115-210X	SHEET NO. 1 OF 1																	

THIS DRAWING CONTAINS INFORMATION THAT IS PROPRIETARY TO MOLEX INCORPORATED AND SHOULD NOT BE USED WITHOUT WRITTEN PERMISSION